



INTERNATIONAL STANDARD ISO 23206:2005
TECHNICAL CORRIGENDUM 1

Published 2007-03-01

INTERNATIONAL ORGANIZATION FOR STANDARDIZATION • МЕЖДУНАРОДНАЯ ОРГАНИЗАЦИЯ ПО СТАНДАРТИЗАЦИИ • ORGANISATION INTERNATIONALE DE NORMALISATION

Agricultural wheeled tractors and attachments — Front loaders — Carriages for attachments

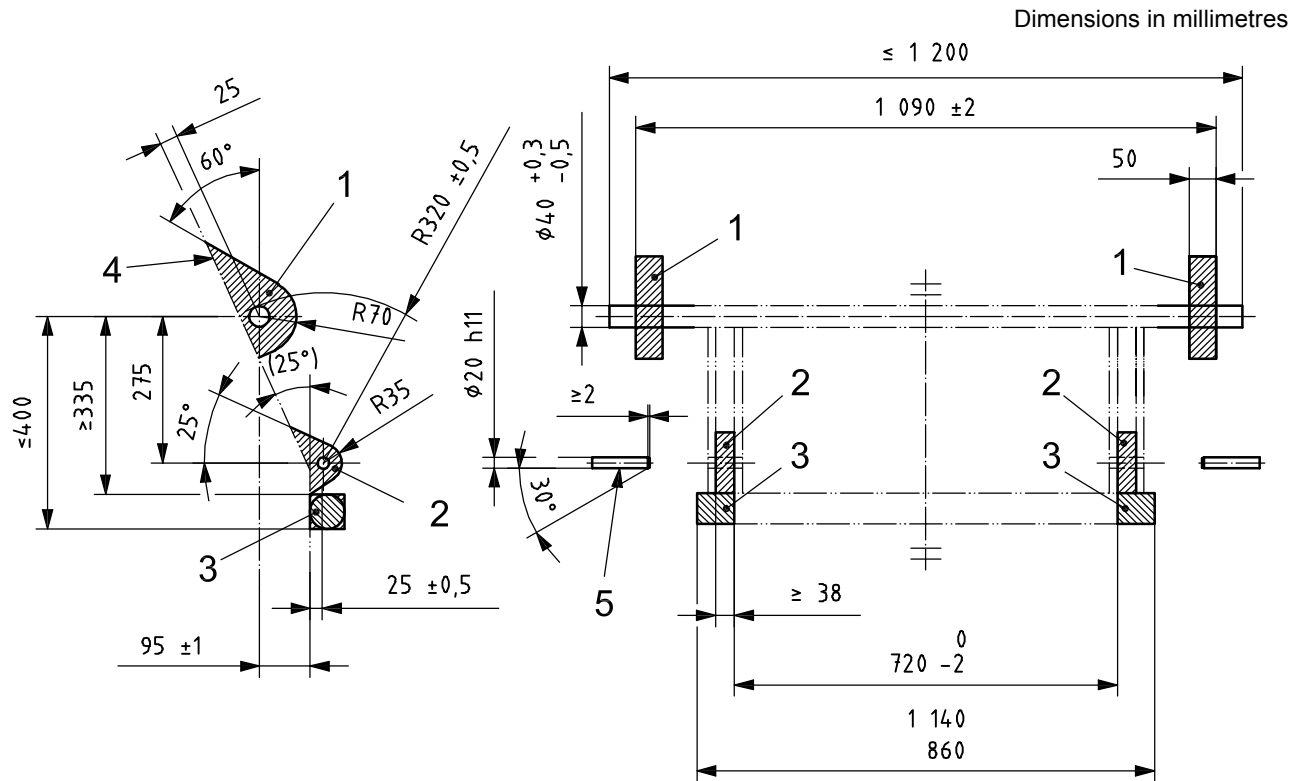
TECHNICAL CORRIGENDUM 1

Tracteurs agricoles à roues et accessoires — Chargeuses frontales — Accouplements sur structures pour les accessoires

RECTIFICATIF TECHNIQUE 1

Technical Corrigendum 1 to International Standard ISO 23206:2005 was prepared by Technical Committee ISO/TC 23, *Tractors and machinery for agriculture and forestry*, Subcommittee SC 4, *Tractors*.

Replace the figure by the following one.



Key

- 1 clearance for hook
- 2 clearance for eyelet
- 3 buffer for attachment
- 4 border of front of carriage
- 5 locking pin

Figure 3 — Carriage dimensions

Explanation of the replacement of the figure

For proper coupling/function of the carriage, in the right-hand side of the drawing it is necessary that the horizontal dimension that was formerly ≥ 35 mm, in combination with the dimension 720_{-2}^0 mm, be in any case greater than the horizontal dimension $790 \text{ mm} \pm 2$ mm in Figure 4.

The sum of the smallest values allowed for dimensions ≥ 35 mm (35 mm itself) and 720 mm (718 mm) is 753 mm — just the lower limit of dimension $790 \text{ mm} \pm 2$ mm of Figure 4. In this case, no coupling is possible.

Accordingly, horizontal dimension ≥ 35 mm has been replaced by ≥ 38 mm in the corrected Figure 3.