



**INTERNATIONAL STANDARD ISO 22958:2005**  
**TECHNICAL CORRIGENDUM 1**

Published 2009-10-15

INTERNATIONAL ORGANIZATION FOR STANDARDIZATION • МЕЖДУНАРОДНАЯ ОРГАНИЗАЦИЯ ПО СТАНДАРТИЗАЦИИ • ORGANISATION INTERNATIONALE DE NORMALISATION

**Textiles — Water resistance — Rain tests: exposure to a horizontal water spray**

**TECHNICAL CORRIGENDUM 1**

*Textiles — Résistance à l'eau — Essai d'arrosage: exposition à une pulvérisation horizontale*

*RECTIFICATIF TECHNIQUE 1*

Technical Corrigendum 1 to ISO 22958:2005 was prepared by Technical Committee ISO/TC 38, *Textiles*, Subcommittee SC 2, *Cleansing, finishing and water resistance tests*.

---

*Page 2, 6.2*

Delete the existing text, and insert

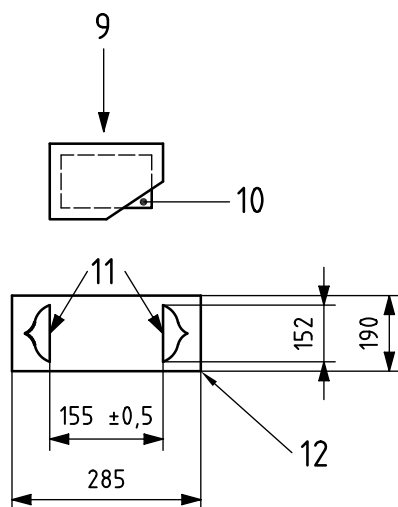
“**White textile blotting paper**, of thickness approximately  $(0,71 \pm 0,1)$  mm, a surface density (often known in the industry as “weight”) of  $(370 \pm 18,5)$  g/m<sup>2</sup> and with an absorbent capacity of  $(220 \pm 30)$  %.”<sup>2)</sup>”

*Page 2, 8.1, line 1*

Delete “ $(150 \times 150)$  mm”, insert “ $(150 \pm 3)$  mm  $\times$   $(150 \pm 3)$  mm”.

Page 5, Figure 2 b)

Replace Figure 2 b) with the following figure:



**b) Details of test specimen holder with typical dimensions**

In the key, replace the text of item 10 with the following text:

“blotter, (150 ± 3) mm × (150 ± 3) mm”