

First edition  
2005-09-15

**AMENDMENT 1**  
2013-01-15

---

---

**Road construction and road  
maintenance machinery and  
equipment — Basic types —  
Identification and description**

**AMENDMENT 1**

*Machines et matériels pour la construction et l'entretien des routes —  
Principaux types — Dénomination et description*

*AMENDEMENT 1*



Reference number  
ISO 22242:2005/Amd.1:2013(E)

© ISO 2013



**COPYRIGHT PROTECTED DOCUMENT**

© ISO 2013

All rights reserved. Unless otherwise specified, no part of this publication may be reproduced or utilized in any form or by any means, electronic or mechanical, including photocopying and microfilm, without permission in writing from either ISO at the address below or ISO's member body in the country of the requester.

ISO copyright office  
Case postale 56 • CH-1211 Geneva 20  
Tel. + 41 22 749 01 11  
Fax + 41 22 749 09 47  
E-mail [copyright@iso.org](mailto:copyright@iso.org)  
Web [www.iso.org](http://www.iso.org)

Published in Switzerland

## Foreword

ISO (the International Organization for Standardization) is a worldwide federation of national standards bodies (ISO member bodies). The work of preparing International Standards is normally carried out through ISO technical committees. Each member body interested in a subject for which a technical committee has been established has the right to be represented on that committee. International organizations, governmental and non-governmental, in liaison with ISO, also take part in the work. ISO collaborates closely with the International Electrotechnical Commission (IEC) on all matters of electrotechnical standardization.

International Standards are drafted in accordance with the rules given in the ISO/IEC Directives, Part 2.

The main task of technical committees is to prepare International Standards. Draft International Standards adopted by the technical committees are circulated to the member bodies for voting. Publication as an International Standard requires approval by at least 75 % of the member bodies casting a vote.

Attention is drawn to the possibility that some of the elements of this document may be the subject of patent rights. ISO shall not be held responsible for identifying any or all such patent rights.

Amendment 1 to ISO 22242:2005 was prepared by Technical Committee ISO/TC 195, *Building construction machinery and equipment*.

.....

# Road construction and road maintenance machinery and equipment — Basic types — Identification and description

## AMENDMENT 1

### Page 5, Introduction

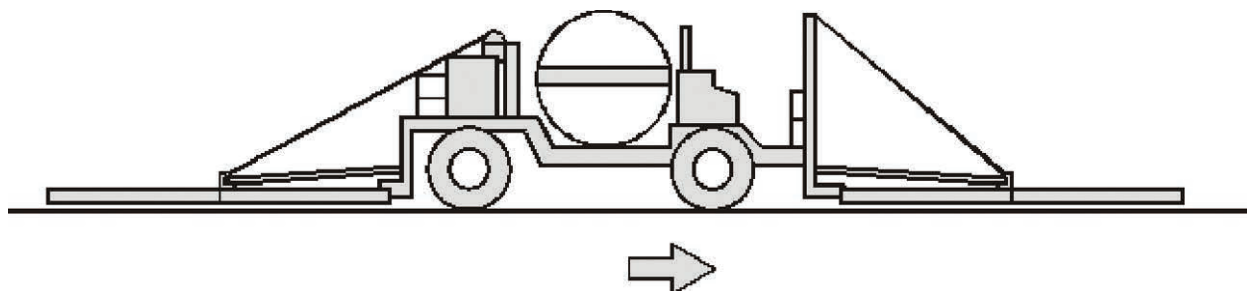
Remove “vibratory plates, rammers” from the Example of the second list item and insert it, immediately after “core drilling units”, in the Example of the third list item.

### Page 19, term 2.10.2

Replace the corresponding text in the “Identification/Description” column by

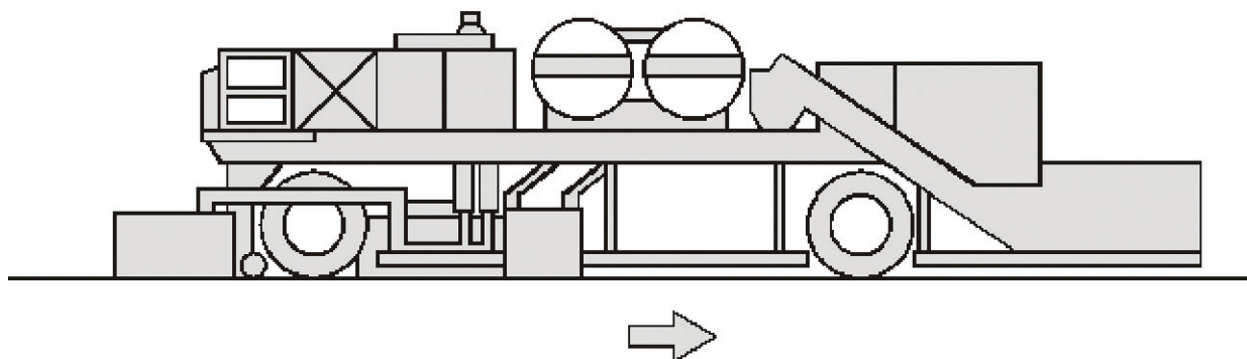
self-propelled machine intended for heating and plastifying of asphalt pavement so that a remixer (see 2.10.3) can be operated

Replace the drawing in Figure 57 by



### Page 20, term 2.10.3

Change the term and figure title from “Hot in-place recycling machine” to “Hot recycler/Remixer” and replace the drawing in Figure 58 by



Replace the corresponding text in the “Identification/Description” column by

self-propelled machine used for large-scale rehabilitation of bituminous bound road pavements with the use of reclaimed asphalt pavement (RAP) and new binder

NOTE The machine consists of a heating unit, storage for new binder, a milling unit, a mixing unit for mixing RAP and new binder, a conveyor and distribution.

*Page 20, term 2.10.4*

In the text in the “Identification/Description” column, correct “window” to “windrow”.

© ISO 2013 - All rights reserved

.....

---

---

**ICS 93.080.10**

Price based on 2 pages