
**Geotechnical investigation and testing —
Field testing —**

Part 10:
Weight sounding test

*Reconnaissance et essais géotechniques — Essais en place —
Partie 10: Essai de sondage par poids*



PDF disclaimer

This PDF file may contain embedded typefaces. In accordance with Adobe's licensing policy, this file may be printed or viewed but shall not be edited unless the typefaces which are embedded are licensed to and installed on the computer performing the editing. In downloading this file, parties accept therein the responsibility of not infringing Adobe's licensing policy. The ISO Central Secretariat accepts no liability in this area.

Adobe is a trademark of Adobe Systems Incorporated.

Details of the software products used to create this PDF file can be found in the General Info relative to the file; the PDF-creation parameters were optimized for printing. Every care has been taken to ensure that the file is suitable for use by ISO member bodies. In the unlikely event that a problem relating to it is found, please inform the Central Secretariat at the address given below.

© ISO 2005

All rights reserved. Unless otherwise specified, no part of this publication may be reproduced or utilized in any form or by any means, electronic or mechanical, including photocopying and microfilm, without permission in writing from either ISO at the address below or ISO's member body in the country of the requester.

ISO copyright office
Case postale 56 • CH-1211 Geneva 20
Tel. + 41 22 749 01 11
Fax + 41 22 749 09 47
E-mail copyright@iso.org
Web www.iso.org

Published in Switzerland

Foreword

ISO (the International Organization for Standardization) is a worldwide federation of national standards bodies (ISO member bodies). The work of preparing International Standards is normally carried out through ISO technical committees. Each member body interested in a subject for which a technical committee has been established has the right to be represented on that committee. International organizations, governmental and non-governmental, in liaison with ISO, also take part in the work. ISO collaborates closely with the International Electrotechnical Commission (IEC) on all matters of electrotechnical standardization.

International Standards are drafted in accordance with the rules given in the ISO/IEC Directives, Part 2.

The main task of technical committees is to prepare International Standards. Draft International Standards adopted by the technical committees are circulated to the member bodies for voting. Publication as an International Standard requires approval by at least 75 % of the member bodies casting a vote.

In other circumstances, particularly when there is an urgent market requirement for such documents, a technical committee may decide to publish other types of normative document:

- an ISO Publicly Available Specification (ISO/PAS) represents an agreement between technical experts in an ISO working group and is accepted for publication if it is approved by more than 50 % of the members of the parent committee casting a vote;
- an ISO Technical Specification (ISO/TS) represents an agreement between the members of a technical committee and is accepted for publication if it is approved by 2/3 of the members of the committee casting a vote.

An ISO/PAS or ISO/TS is reviewed after three years in order to decide whether it will be confirmed for a further three years, revised to become an International Standard, or withdrawn. If the ISO/PAS or ISO/TS is confirmed, it is reviewed again after a further three years, at which time it must either be transformed into an International Standard or be withdrawn.

Attention is drawn to the possibility that some of the elements of this document may be the subject of patent rights. ISO shall not be held responsible for identifying any or all such patent rights.

ISO/TS 22476-10 was prepared by Technical Committee ISO/TC 182, *Geotechnics*, Subcommittee SC 1, *Geotechnical investigation and testing*.

ISO/TS 22476 consists of the following parts, under the general title *Geotechnical investigation and testing* — *Field testing*:

- *Part 1: Electrical cone and piezocone penetration tests*
- *Part 2: Dynamic probing*
- *Part 3: Standard penetration test*
- *Part 4: Ménard pressuremeter test*
- *Part 5: Flexible dilatometer test*
- *Part 6: Self-boring pressuremeter test*
- *Part 7: Borehole jack test*
- *Part 8: Full displacement pressuremeter test*
- *Part 9: Field vane test*
- *Part 10: Weight sounding test*
- *Part 11: Flat dilatometer test*
- *Part 12: Mechanical cone penetration test*
- *Part 13: Plate loading test*

Contents

Page

Foreword	v
Introduction.....	vi
1 Scope	1
2 Normative references.....	1
3 Terms and definitions	1
4 Equipment.....	1
4.1 Penetrometer tip.....	1
4.2 Weight loading system	2
4.3 Rods.....	3
5 Test procedure.....	3
5.1 Calibration and checks	3
5.2 Use of predrilling and casing	3
5.3 Manual weight sounding	3
5.4 Mechanised weight sounding	3
6 Test results	4
7 Report	4
7.1 Field report.....	4
7.2 Test report.....	4
Bibilography.....	6

.....

Foreword

This document CEN ISO/TS 22476-10:2004 has been prepared by Technical Committee CEN/TC 341 "Geotechnical investigation and testing", the secretariat of which is held by DIN, in collaboration with Technical Committee ISO/TC 182 "Geotechnics".

According to the CEN/CENELEC Internal Regulations, the national standards organizations of the following countries are bound to announce this Technical Specification: Austria, Belgium, Czech Republic, Denmark, Finland, France, Germany, Greece, Hungary Iceland, Ireland, Italy, Luxembourg, Malta, Netherlands, Norway, Portugal, Slovakia, Spain, Sweden, Switzerland and the United Kingdom.

EN ISO 22476 *Geotechnical investigation and testing - Field testing* has the following parts:

- *Part 1: Electrical cone and piezocone penetration tests*
- *Part 2: Dynamic probing*
- *Part 3: Standard penetration test*
- *Part 4: Ménard pressuremeter test*
- *Part 5: Flexible dilatometer test*
- *Part 6: Self-boring pressuremeter test (TS)¹⁾*
- *Part 7: Borehole jack test*
- *Part 8: Full displacement pressuremeter test (TS)¹⁾*
- *Part 9: Field vane test*
- *Part 10: Weight sounding test (TS)¹⁾*
- *Part 11: Flat dilatometer test (TS)¹⁾*
- *Part 12: Mechanical cone penetration test*
- *Part 13: Plate loading test.*

1) TS Technical Specification.

Introduction

The weight sounding penetrometer consists of a screw-shaped point, rods, weights or other loading system and a handle or a rotating device. The weight sounding test is made as a static sounding in soft soils when the penetration resistance is less than 1 kN. When the resistance exceeds 1 kN the penetrometer is rotated, manually or mechanically, and the number of half turns for a given depth of penetration is recorded.

The weight sounding test is primarily used to give a continuous soil profile and an indication of the layer sequence. The penetrability in even stiff clays and dense sands is good.

The weight sounding test is also used to estimate the density of cohesionless soils and to estimate the depth to very dense ground layers indicating the length of end-bearing piles.

1

1 Scope

This Technical Specification comprises requirements for ground investigations by means of the weight sounding test (WST) as part of the geotechnical investigations according to prEN 1997-1 and prEN 1997-2.

2 Normative references

Not applicable.

3 Terms and definitions

For the purposes of this Technical Specification, the following terms and definitions apply.

3.1

weight sounding resistance

either the smallest standard load for which the penetrometer sinks without rotation, or the number of half turns per 0,2 m of penetration when the penetrometer has its maximum load and is rotated

3.2

manual weight sounding test

test made by loading and rotating the penetrometer by hand using a handle

NOTE The penetrometer is loaded by weights.

3.3

mechanised weight sounding test

test in which loading and rotating of the penetrometer is made mechanically

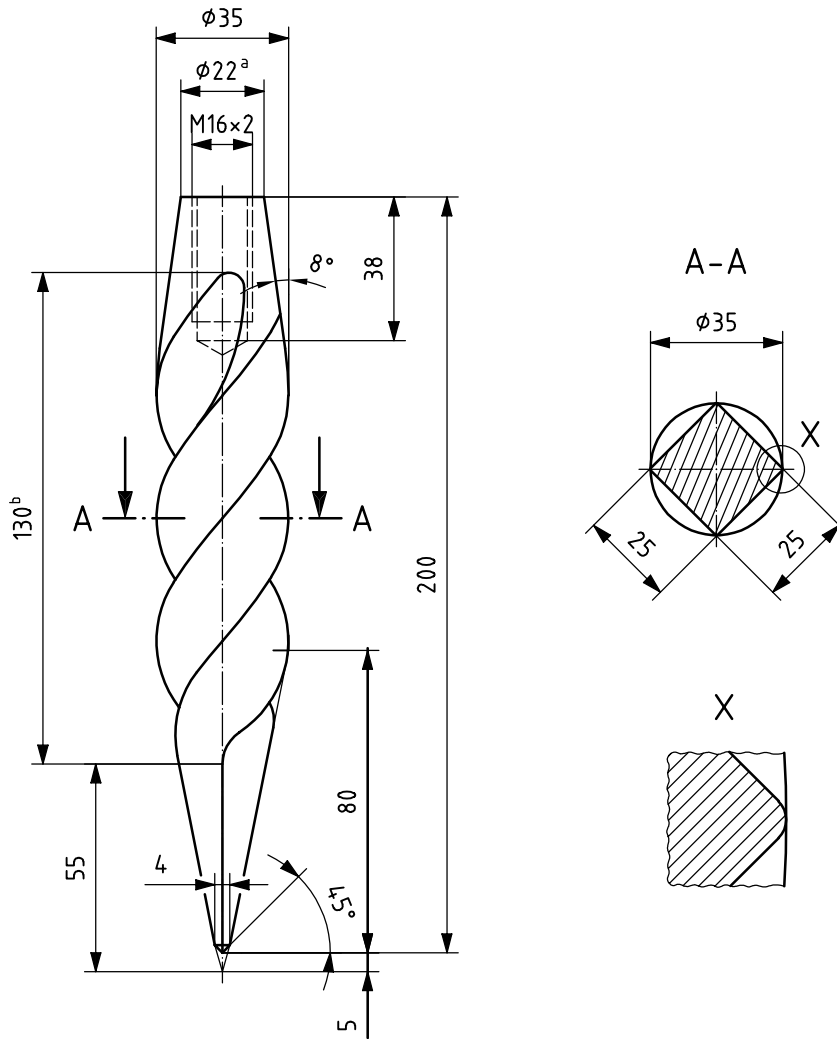
NOTE The penetrometer is loaded mechanically or by dynamometer or by weights.

4 Equipment

4.1 Penetrometer tip

The dimensions of the penetrometer point are shown in Figure 1. The diameter of the circumscribed circle of the screw-shaped point shall be 35 mm. The length of the point shall be 200 mm. The point, which has a pyramidal tip as shown in Figure 1, shall be twisted one turn to the left over a length of 130 mm.

The diameter of the circumscribed circle for the worn point shall not be less than 32 mm. The maximum allowable shortening of the point tip due to wear shall be 15 mm. The tip of the point shall not be bent or broken.



Key

- a for 22 rods
- b Twisted one turn to the left: 130 mm

Figure 1 — The point of the weight sounding penetrometer (dimensions in mm)

4.2 Weight loading system

The weights for the manual weight sounding test shall comprise of one 50 N clamp, two 100 N weights and three 250 N weights, total 1 000 N.

The weights for mechanised test may be replaced by a dynamometer with the measuring range from 0,05 kN up to 1,00 kN.

The maximum allowable deviation from the standard loads and the dynamometer scale shall be $\pm 5\%$ of the maximum load.

4.3 Rods

The diameter of the rods shall be 22 mm.

The length of the extension rod is usually 1 m. For practical reason, the length of the first rod is usually 0,8 m. For the mechanised weight sounding test the length of the rod shall be 1,0 m to 2,0 m. The maximum allowable deviation from the total penetrated depth is 0,1 m.

The deviation from the straight axis shall not exceed 4 mm per m for the lowest 5 m of the rods and 4 mm per m for the remainder. The allowable eccentricity of the coupling shall not be more than 0,1 mm. The angular deviation for a joint between two straight rods shall not be more than 0,005 rad.

5 Test procedure

5.1 Calibration and checks

Prior to each test, a check of the proper condition of the equipment shall be made (wear of point, straightness of the rods etc.).

The precision of the measuring instruments – if applicable – shall be checked after any damage, overloading or repair but at least once every six months, unless the manufacturers specify shorter inspection intervals. Calibration records shall be kept together with the equipment.

5.2 Use of predrilling and casing

The possible need to predrill through the upper stiff or dense soil layers shall be estimated in each case.

NOTE Predrilling is often required through a dry crust or through a fill in order to minimise skin friction along the rods and increase the sensitivity of the penetrometer..

5.3 Manual weight sounding

When the penetrometer is used as a static penetrometer in soft soils, the rod shall be loaded in steps using the following standard loads: 0 kN, 0,05 kN, 0,15 kN, 0,25 kN, 0,50 kN, 0,75 kN, 1,0 kN. The maximum standard load is 1,0 kN.

The load shall be adjusted in the standard steps to give a rate of penetration of approximately 50 mm per second.

If the penetration resistance exceeds 1 kN or the penetration rate at 1 kN is less than 20 mm per second the rod shall be rotated. The load of 1 kN is maintained and the number of half turns required to give 200 mm of penetration shall be counted. During rotation if the point of the rod penetrates to the softer layer, it is necessary to evaluate whether should be halted.

The rod shall not be rotated when the penetration resistance is less than 1 kN.

The sounding shall be terminated by striking the rod with a hammer or by dropping some of the weights onto the clamp in order to check that the refusal is not temporary.

5.4 Mechanised weight sounding

The test shall be carried out in a similar manner as for the manual sounding. The rate of rotation shall not exceed 50 turns per minute.

The rate of rotation should be between 15 and 40 turns per minute. The recommended rate of rotation is 30 turns per minute.

The applied load should be measured by a dynamometer or a measuring cell attached to the machine. The load is registered in standard load steps as for the manual weight sounding with the principle that as soon as one step is exceeded it is registered as the following load step.

During the sounding, vibrations from the engine shall be kept in such level that does not affect the measured penetration resistance.

6 Test results

The penetration resistance shall be given by the standard loads in stages (kN) and when rotated, loaded with the maximum standard load, by the number of half turns per 200 mm of penetration.

Differences between manual and mechanical operated tests may occur. Where this may be the case, e.g. when estimating the relative density of loose cohesionless soils, comparisons between manual and mechanised tests are recommended.

NOTE The penetration resistance is influenced by the shaft friction along the rods.

7 Report

7.1 Field report

The field report, signed by the test equipment operator in charge, shall contain the field logs and relevant observations made during the tests (weather conditions, interruption of operations, unusual events etc.).

7.2 Test report

In the test report, all WST field investigations shall be reported about (field report, presentation of results etc.).

In addition the test report shall include the following relevant information for identification and quality assurance purposes:

- a) name of company executing the test;
- b) identification of the actual site or area;
- c) identification number of the job or commission;
- d) borehole number;
- e) date of investigation;
- f) ground level;
- g) type of test method used with reference to the standard;
- h) sounding method and type of machine;
- i) the type of the loading device and calibration record;
- j) the type of the rotating equipment and the rate of rotation;
- k) predrilling, diameter and depth of the borehole;
- l) diameter of the casing tube and depth of casing;

- m) the penetration depth for every standard load during the static sounding phase;
- n) the number of half turns required for every 200 mm of penetration during the rotating phase; in cases when a full section of 200 mm is not penetrated the number of half turns and corresponding penetration;
- o) the depth of penetration and number of blows during driving if the penetrometer is driven by blows of a hammer or some of the weights;
- p) interruptions during the test;
- q) all observations which may help in the interpretation of the test results, e. g. indication on type of soil penetrated;
- r) the signature of the field manager.

Bibliography

EN 1997-1, *Eurocode 7: Geotechnical design — Part 1: General Rules*.

EN 1997-2, *Eurocode 7: Geotechnical design — Part 2: Ground investigation and testing*.

.....

1
2
3
4
5
6
7
8
9
10
11
12
13
14
15
16
17
18
19
20
21
22
23
24
25
26
27
28
29
30
31
32
33
34
35
36
37
38
39
40
41
42
43
44
45
46
47
48
49
50
51
52
53
54
55
56
57
58
59
60
61
62
63
64
65
66
67
68
69
70
71
72
73
74
75
76
77
78
79
80
81
82
83
84
85
86
87
88
89
90
91
92
93
94
95
96
97
98
99
100

1

ICS 93.020

Price based on 6 pages