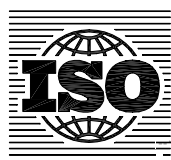

**Footwear — Test methods for whole
shoe — Washability in a domestic
washing machine**

*Chaussures — Méthodes d'essai s'appliquant à la chaussure entière —
Lavabilité au lavage domestique*



Reference number
ISO 19954:2003(E)

© ISO 2003

PDF disclaimer

This PDF file may contain embedded typefaces. In accordance with Adobe's licensing policy, this file may be printed or viewed but shall not be edited unless the typefaces which are embedded are licensed to and installed on the computer performing the editing. In downloading this file, parties accept therein the responsibility of not infringing Adobe's licensing policy. The ISO Central Secretariat accepts no liability in this area.

Adobe is a trademark of Adobe Systems Incorporated.

Details of the software products used to create this PDF file can be found in the General Info relative to the file; the PDF-creation parameters were optimized for printing. Every care has been taken to ensure that the file is suitable for use by ISO member bodies. In the unlikely event that a problem relating to it is found, please inform the Central Secretariat at the address given below.

© ISO 2003

All rights reserved. Unless otherwise specified, no part of this publication may be reproduced or utilized in any form or by any means, electronic or mechanical, including photocopying and microfilm, without permission in writing from either ISO at the address below or ISO's member body in the country of the requester.

ISO copyright office
Case postale 56 • CH-1211 Geneva 20
Tel. + 41 22 749 01 11
Fax + 41 22 749 09 47
E-mail copyright@iso.org
Web www.iso.org

Published in Switzerland

Foreword

ISO (the International Organization for Standardization) is a worldwide federation of national standards bodies (ISO member bodies). The work of preparing International Standards is normally carried out through ISO technical committees. Each member body interested in a subject for which a technical committee has been established has the right to be represented on that committee. International organizations, governmental and non-governmental, in liaison with ISO, also take part in the work. ISO collaborates closely with the International Electrotechnical Commission (IEC) on all matters of electrotechnical standardization.

International Standards are drafted in accordance with the rules given in the ISO/IEC Directives, Part 2.

The main task of technical committees is to prepare International Standards. Draft International Standards adopted by the technical committees are circulated to the member bodies for voting. Publication as an International Standard requires approval by at least 75 % of the member bodies casting a vote.

Attention is drawn to the possibility that some of the elements of this document may be the subject of patent rights. ISO shall not be held responsible for identifying any or all such patent rights.

ISO 19954 was prepared by the European Committee for Standardization (CEN) in collaboration with Technical Committee ISO/TC 216, *Footwear*, in accordance with the Agreement on technical cooperation between ISO and CEN (Vienna Agreement).

Throughout the text of this document, read "...this European Standard..." to mean "...this International Standard...".

For the purposes of this International Standard, the CEN annex giving a list of EN documents corresponding to the ISO documents mentioned as normative references has been removed.

Annex ZZ provides a list of corresponding International and European Standards for which equivalents are not given in the text.

Contents

Page

Foreword.....	v
1 Scope	1
2 Normative references	1
3 Apparatus and material to be used.....	1
3.1 Washing machine.....	1
3.1.1 General.....	1
3.1.2 Washing conditions.....	2
3.1.3 Rinsing conditions.....	2
3.1.4 Wringing/Emptying conditions.....	2
3.2 Textile component	2
3.3 Standard grey scale	2
3.4 Toe spring gauge	2
3.5 Detergent	3
3.6 Water	3
4 Sampling and conditioning.....	3
5 Test method.....	4
5.1 Principle	4
5.2 Procedure	4
5.2.1 Initial assessment	4
5.2.2 Complete washing cycle	4
5.2.3 Assessment of damages.....	5
6 Expression of results	6
7 Test report	6
Annex ZZ (normative) Corresponding International Standards and European Standards for which equivalents are not given in the text	8
Bibliography	9

Foreword

This document (EN ISO 19954:2003) has been prepared by Technical Committee CEN/TC 309 "Footwear", the secretariat of which is held by AENOR, in collaboration with Technical Committee ISO/TC 216 "Footwear".

This European Standard shall be given the status of a national standard, either by publication of an identical text or by endorsement, at the latest by April 2004 and conflicting national standards shall be withdrawn at the latest by April 2004.

Annex ZZ is normative.

According to the CEN/CENELEC Internal Regulations, the national standards organizations of the following countries are bound to implement this European Standard: Austria, Belgium, Czech Republic, Denmark, Finland, France, Germany, Greece, Hungary, Iceland, Ireland, Italy, Luxembourg, Malta, Netherlands, Norway, Portugal, Slovakia, Spain, Sweden, Switzerland and the United Kingdom.

1 Scope

This European Standard specifies a test method for the evaluation of the behaviour of footwear when subjected to domestic washing. The evaluation is based upon the modification of some characteristics measured before and after washing.

This European Standard specifies a method of domestic washing adapted to all types of footwear.

2 Normative references

This European Standard incorporates by dated or undated references, provisions from other publications. These normative references are cited at the appropriate places in the text and the publications are listed hereafter. For dated references, subsequent amendments to or revisions of any of these publications apply to this European Standard only when incorporated in it by amendment or revision. For undated references the latest edition of the publication referred to applies (including amendments).

EN 12222, *Footwear - Standard atmospheres for conditioning and testing of footwear and components for footwear.*

EN ISO 6330, *Textiles - Domestic washing and drying procedures for textile testing (ISO 6330:2000).*

EN ISO 17708, *Footwear - Test methods for whole shoe - Upper sole adhesion (ISO 17708:2003).*

ISO 105-A02, *Textiles - Tests for colour fastness - Part A02: Grey scale for assessing change in colour.*

ISO 105-A03, *Textiles - Tests for colour fastness - Part A03: Grey scale for assessing staining.*

3 Apparatus and material to be used

3.1 Washing machine

A washing machine complying with 3.1.1 to 3.1.4. Other equipment can be used provided that it gives identical results to the machine described in this subclause.

3.1.1 General

The washing machine used should correspond to machine type A1 as described in EN ISO 6330.

3.1.2 Washing conditions

The washing cycle should comply with the following:

- volume of water of $18 \text{ l} \pm 1 \text{ l}$;
- temperature within the range of 30 °C to 35 °C ;
- a washing time of $30 \text{ min} \pm 2 \text{ min}$;
- rotation speed of the drum of $5,4 \text{ rad/s} \pm 0,5 \text{ rad/s}$ (alternative movement¹⁾);
- 4 g/l of detergent specified in 3.5.

3.1.3 Rinsing conditions

The rinsing cycle should comply with the following:

- volume of water of $15 \text{ l} \pm 1 \text{ l}$;
- rinsing time of $4 \text{ min} \pm 1 \text{ min}$.

3.1.4 Wringing/Emptying conditions

3.1.4.1 Initial wringing

This cycle should comply with the following:

- $120 \text{ s} \pm 30 \text{ s}$ at a rotation speed of $5,7 \text{ rad/s} \pm 0,5 \text{ rad/s}$.

3.1.4.2 Final wringing

This cycle should comply with the following:

- $6 \text{ min} \pm 1 \text{ min}$ at a rotation speed of $49,5 \text{ rad/s} \pm 2,6 \text{ rad/s}$.

3.2 Textile component

It shall be a white, 100% monofibre cotton textile of $125 \text{ g/m}^2 \pm 5 \text{ g/m}^2$ cut into rectangles of $(50 \pm 2) \text{ cm} \times (50 \pm 2) \text{ cm}$.

The textile component shall be composed of 10 such rectangles.

The textile component is used in order to simulate normal washing conditions and to minimise abrasion damage of the footwear against the drum.

3.3 Standard grey scale

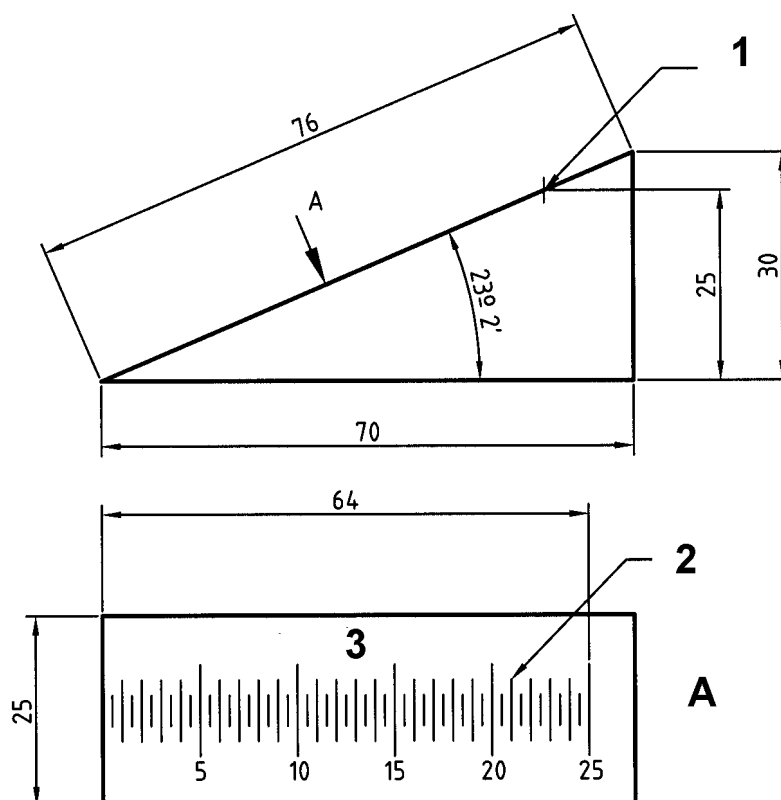
The grey scales for the evaluation of colour change and colour transfer (see clause 5) shall comply with ISO 105-A02 and ISO 105-A03, respectively.

3.4 Toe spring gauge

The toe spring gauge shall be as shown in Figure 1.

1) $1 \text{ rad} \cong 0,16 \text{ revolution}$.

Dimensions in millimetres

**Key**

- 1: Scale reads 25mm
- 2: Engrave as shown
- 3: Toe spring in mm
- A: View on A

Figure 1 — Toe spring gauge**3.5 Detergent**

The reference detergent ECE (see EN ISO 6330) shall be used.

NOTE Information on the availability of suitable detergent can be obtained from CEN/TC 309 Secretariat.

3.6 Water

Tap water can be used, under the following conditions:

- temperature of $20\text{ °C} \pm 4\text{ °C}$;
- pH of (7 ± 1) .

4 Sampling and conditioning

4.1 The sample shall be, at least, two pairs of shoes.

Each complete item of footwear shall be considered as a test piece and at least two test pieces shall be tested.

4.2 The sample shall be conditioned according to EN 12222 for 24 h prior to the test.

5 Test method

5.1 Principle

The test pieces are examined visually. Then one of the test pieces is stored in a standard atmosphere and the other test piece, together with a reference sample of a specified textile, are washed under suitable conditions of temperature, alkalinity and detergent, so that the washing cycle is short. Then they are rinsed and dried.

After complete washing cycle, the test piece is examined in order to determine:

- upper to sole adhesion,
- any colour changes,
- miscellaneous damage, such as tearing, loss of eyelets, etc.,
- any dimensional changes which may have taken place.

5.2 Procedure

5.2.1 Initial assessment

The operator shall ensure that the visual appearance of the test pieces, for the left and right feet of the pairs, is identical.

The test piece shall be characterised by recording all of the detail (colour of material, decoration, washing instruction, etc.).

Place the test piece on a horizontal flat surface and without applying any pressure to any part of said test piece, measure the toe spring as shown in Figure 2, using the toe spring gauge (see 3.4), and record the result, in mm.



Figure 2 — Measurement of the toe spring

Finally, measure the internal length and width of the test pieces according to 5.2.3.2, and record the results, in mm, as L_1 and B_1 , respectively.

5.2.2 Complete washing cycle

5.2.2.1 General

After initial assessment, the test piece corresponding to the right feet is stored in a standard atmosphere (see EN 12222), and the test piece corresponding to the left feet is submitted to the complete washing cycle.

The complete washing cycle consists of three washings and three dryings.

5.2.2.2 Washing

Put, at least, two test pieces into the drum of the washing machine (see 3.1), together with the textile component (see 3.2).

Programme the machine according to clause 3.1.

The complete washing cycle should be:

- washing (see 3.1.2);
- wringing/emptying (see 3.1.4);
- rinsing (see 3.1.3);
- emptying;
- rinsing;
- wringing/emptying;
- rinsing;
- final wringing/emptying.

At the end of the complete washing cycle, note any variation in the colour of the textile component according to ISO 105-A03. If the textile is slightly coloured, it should be replaced for the following test.

5.2.2.3 Drying

Leave the test pieces to dry freely in a standard atmosphere according to EN 12222.

NOTE Ventilation can be used to accelerate drying.

The final drying after a complete washing cycle is particularly important. It is necessary to ensure, by weighing, that the test piece is really dry, so that the difference in mass between two weightings carried out with 1 h of difference should not be greater than 1 %. The dried test piece can then be used for the following test.

5.2.3 Assessment of damages

5.2.3.1 General

Any damage caused by the complete washing cycle can be evaluated by comparing the test piece which has been tested, with the test piece corresponding to the right feet, which remains in the initial condition (see 5.2.2).

5.2.3.2 Miscellaneous damage

Note any damage of the test piece:

- cuts or tears;
- loss of accessories (decoration, eyelets, etc.);
- leaching of colour from components (from one to another).

Place the footwear on a horizontal flat surface and without applying any pressure to any part of the shoe, measure the toe spring as shown in Figure 2, using the toe spring gauge (see 3.4), and report the result, in mm.

5.2.3.3 Dimensional changes

Any deformation of the test piece is considered as a dimensional change. If the deformation is significant, verify the internal length and width of the test piece, or carry out a fitting trial, taking into account that:

- The internal length is the length between the lining in the toe area and the lining in the stiffener area. This dimension is taken along the *X* axis (see EN 13400) and on the insock (or the insole), and the measure is recorded, in mm, as L_2 .
- The internal width is the length between the both sides of the lining in the footwear flexion area. This dimension is taken along the *Y* axis (EN 13400) and on the insock (or the insole), and the measure is recorded, in mm, as B_2 .

The evolution of the internal length and internal width of the test piece is calculated according to clause 6.

5.2.3.4 Colour changes

Any colour change caused by washing is evaluated with the standard grey scale (see ISO 105-A02) comparing the washed and unwashed test pieces.

The final result is taken as the most severe level of colour change.

5.2.3.5 Upper to sole adhesion

The upper to sole adhesion shall be determined, on the washed and unwashed test pieces, according to EN ISO 17708, and the values obtained shall be recorded, in N/mm, as F_1 (unwashed test piece) and F_2 (washed test piece).

6 Expression of results

6.1 Calculate the change, R_1 , in the internal length of each shoe tested, in mm, using the formula:

$$R_1 = L_1 - L_2$$

where

L_1 is the initial internal length of the test piece, in mm (see 5.2.1),

L_2 is the final internal length of the test piece, in mm (see 5.2.3.3).

6.2 Calculate the change, R_2 , of the internal width of each shoe tested, in mm, using the formula:

$$R_2 = B_1 - B_2$$

where

B_1 is the initial internal width of the test piece, in mm (see 5.2.1),

B_2 is the final internal width of the test piece, in mm (see 5.2.3.3).

7 Test report

The test report shall include the following information:

- a) reference to this standard, EN ISO 19954;

- b) full description of the sample tested, including commercial styles, code, colour, nature, etc.;
- c) damages observed:
 - general damage, according to 5.2.3.1;
 - dimensional change, according to 5.2.3.3. If necessary, quote R_1 and R_2 (see clause 6);
 - any colour change, according to 5.2.3.4;
- d) toe spring value before (see 5.2.1) and after (see 5.2.3.2) washing;
- e) values for upper to sole adhesion, before (F_1) and after (F_2) washing, according to 5.2.3.5;
- f) note, if necessary, any relevant remarks pertaining to the test (colour changes of the textile, for example);
- g) any deviation from this test method and any incident which could affect the result;
- h) date of testing.

Annex ZZ
(normative)

**Corresponding International and European Standards for which
equivalents are not given in the text**

At the time of publication of this International Standard, the editions of the following documents were valid. Members of ISO and IEC maintain registers of currently valid International Standards.

EN 12222	ISO 18454:2001, <i>Footwear — Standard atmospheres for conditioning and testing of footwear and components for footwear</i>
EN 13400	ISO 17709:— ¹⁾ , <i>Footwear — Sampling location, preparation and duration of conditioning of samples and test pieces</i>

1) To be published.

Bibliography

EN 13400, *Footwear - Sampling location, preparation and duration of conditioning of samples and test pieces.*

ICS 61.060

Price based on 9 pages