

INTERNATIONAL
STANDARD

ISO
17712

Second edition
2013-05-15

Freight containers — Mechanical seals

Conteneurs pour le transport de marchandises — Scellés mécaniques



Reference number
ISO 17712:2013(E)

© ISO 2013



COPYRIGHT PROTECTED DOCUMENT

© ISO 2013

All rights reserved. Unless otherwise specified, no part of this publication may be reproduced or utilized otherwise in any form or by any means, electronic or mechanical, including photocopying, or posting on the internet or an intranet, without prior written permission. Permission can be requested from either ISO at the address below or ISO's member body in the country of the requester.

ISO copyright office
Case postale 56 • CH-1211 Geneva 20
Tel. + 41 22 749 01 11
Fax + 41 22 749 09 47
E-mail copyright@iso.org
Web www.iso.org

Published in Switzerland

Contents

	Page
Foreword	iv
1 Scope	1
2 Normative references	1
3 Terms and definitions	1
3.1 General terms	1
3.2 Terms describing different types of mechanical seals	2
4 Seal requirements	4
4.1 General and environmental	4
4.2 Marking	4
4.3 Identification marks	5
4.4 Evidence of tampering	5
5 Testing for seal classification	6
5.1 General	6
5.2 Tensile test	6
5.3 Shear test	11
5.4 Bending test	15
5.5 Impact test	17
5.6 Seal classification test report	19
6 Evidence of tampering	19
6.1 General	19
6.2 Test apparatus	20
6.3 Test tools	21
6.4 Test methods	21
6.5 Evidence of tampering	22
6.6 Test results	23
Annex A (normative) Seal manufacturers' security-related practices	24
Annex B (normative) Transition time for requirements of amended Clause 6	29
Bibliography	30

Foreword

ISO (the International Organization for Standardization) is a worldwide federation of national standards bodies (ISO member bodies). The work of preparing International Standards is normally carried out through ISO technical committees. Each member body interested in a subject for which a technical committee has been established has the right to be represented on that committee. International organizations, governmental and non-governmental, in liaison with ISO, also take part in the work. ISO collaborates closely with the International Electrotechnical Commission (IEC) on all matters of electrotechnical standardization.

International Standards are drafted in accordance with the rules given in the ISO/IEC Directives, Part 2.

The main task of technical committees is to prepare International Standards. Draft International Standards adopted by the technical committees are circulated to the member bodies for voting. Publication as an International Standard requires approval by at least 75 % of the member bodies casting a vote.

Attention is drawn to the possibility that some of the elements of this document may be the subject of patent rights. ISO shall not be held responsible for identifying any or all such patent rights.

ISO 17712 was prepared by Technical Committee ISO/TC 104, *Freight containers*.

This second edition cancels and replaces the first edition (ISO 17712:2010), which has been technically revised.

Freight containers — Mechanical seals

1 Scope

This International Standard establishes uniform procedures for the classification, acceptance, and withdrawal of mechanical freight container seals. It provides a single source of information on mechanical seals which are acceptable for securing freight containers in international commerce.

NOTE The purpose of mechanical seals is, as part of a security system, to determine whether a freight container has been tampered with, i.e. whether there has been unauthorized entry into the container through its doors. Seals can be effective only if seal users properly select, store, account for, apply, document, and attend to seals prior to use and in use; while these issues are not addressed in this International Standard, they are relevant to successful use of the seals covered by this International Standard.

Seals that conform to this International Standard are suitable for other applications, such as bulk railcars or truck trailers used in cross-border and domestic operations. Users and regulatory agencies can apply this International Standard to other applications as they deem appropriate.

2 Normative references

The following documents, in whole or in part, are normatively referenced in this document and are indispensable for its application. For dated references, only the edition cited applies. For undated references, the latest edition of the referenced document (including any amendments) applies.

ISO/IEC 15417, *Information technology — Automatic identification and data capture techniques — Code 128 bar code symbology specification*

ISO/IEC 17020, *Conformity assessment — Requirements for the operation of various types of bodies performing inspection*

ISO/IEC 17025, *General requirements for the competence of testing and calibration laboratories*

3 Terms and definitions

For the purposes of this document, the following terms and definitions apply.

3.1 General terms

3.1.1

seal

mechanical device marked with a unique identifier and usually designed for a single use, which is externally affixed to the container doors and designed to evidence tampering or intrusion through the doors of a container and to secure closed doors of a container

Note 1 to entry: Depending on its design and construction, the seal provides varying degrees of resistance to an intentional or unintentional attempt to open it or to enter the freight container through the container doors.

Note 2 to entry: Seals need to be designed and constructed so that tamper attempts create and leave evidence of that tampering.

Note 3 to entry: All grades and types of seals require inspection to indicate whether tampering has occurred or entry has been attempted.

3.1.2

high-security seal

seal that is constructed and manufactured of material such as metal or metal cable with the intent to delay intrusion

Note 1 to entry: High-security seals can generally be removed with substantial bolt cutters or cable cutters.

3.1.3

security seal

seal that is constructed and manufactured of material that provides limited resistance to intrusion and requires lightweight tools for removal

3.1.4

indicative seal

seal that is constructed and manufactured of material that can easily be broken by hand or by using a simple snipping tool or shear

3.1.5

manufacturer

company or entity that either owns the seal-producing factory or contracts to buy made-to-order seals for resale from a third-party factory

3.1.6

bar code

automatic identification technology that encodes information into an array of parallel bars and spaces of varying widths

3.1.7

defeated seal

seal which has been opened or removed and replaced or reconstructed without detectable evidence of tampering

3.1.8

tampering

attempt to open or remove and then replace or reconstruct a seal without leaving detectable evidence of the attempt

3.1.9

tamper evidence

tell-tale indication that an attempt has been made to open or remove and then replace or reconstruct without detectable evidence of that attempt

Note 1 to entry: Examples of tamper evidence include a change in the colour of the material, in surface texture, cracks, indentations, or abrasions. Tamper evident indicators are recognizable by normal examination under the usual circumstances prevailing in practice without technical aids (such as a magnifying glass or microscope).

3.1.10

indicativeness

ability to reveal evidence after attempts have been made to tamper with the seal

3.2 Terms describing different types of mechanical seals

3.2.1

wire seal

length of wire secured in a loop by some type of seizing device

EXAMPLE Wire seals include: crimp wire, fold wire, and cup wire seals.

Note 1 to entry: The seizing device can be plastic or metal and its deformation is one indication of tampering.

3.2.2**padlock seal**

locking body with a bail attached

EXAMPLE Padlock seals include: wire shackle padlock (metal or plastic body), plastic padlock, and keyless padlock seals.

Note 1 to entry: The padlock itself is not an integral part of the freight container.

3.2.3**strap seal**

metal or plastic strap secured in a loop by inserting one end into or through a protected (covered) locking mechanism on the other end

Note 1 to entry: The seizing device can be plastic or metal and its deformation is one indication of tampering.

3.2.4**cable seal**

cable and a locking mechanism

EXAMPLE On a one-piece seal, the locking or seizing mechanism is permanently attached to one end of the cable. A two-piece cable seal has a separate locking mechanism which slips onto the cable or prefabricated cable end.

3.2.5**bolt seal**

metal rod, threaded or unthreaded, flexible or rigid, with a formed head, secured with a separate locking mechanism

3.2.6**cinch seal****pull-up seal**

indicative seal consisting of a thin strip of material, serrated or non-serrated, with a locking mechanism attached to one end

Note 1 to entry: The free end is pulled through a hole in the locking mechanism and drawn up to the necessary tightness. Cinch or pull-up type seals can have multiple lock positions. These seals are generally made of synthetic materials such as nylon or plastic. They can resemble, but are significantly different from, simple electrical ties.

3.2.7**twist seal**

steel rod or heavy-gauge wire of various diameters, which is inserted through the locking fixture and twisted around itself by use of a special tool

3.2.8**scored seal**

metal strip which is scored perpendicular to the length of the strip

Note 1 to entry: The strip is passed through the locking fixture and bent at the score mark. Removal of the seal requires bending at the score mark, which results in breakage of the seal.

3.2.9**label seal**

frangible seal consisting of a paper or plastic backing with adhesive

Note 1 to entry: The combination of backing and adhesive is chosen to cause the seal to tear when removal is attempted.

3.2.10**barrier seal**

designed to provide a significant barrier to container entry

Note 1 to entry: A barrier seal can enclose a portion of the inner locking rods on a container.

Note 2 to entry: Barrier seals can be designed to be reusable.

4 Seal requirements

4.1 General and environmental

4.1.1 The choice of seal for a specific requirement will depend on many factors. It should be selected after full consideration of the user's performance requirements. The first decision is the appropriate seal classification (indicative, security, or high security), followed by a decision on a particular type, make, and model.

NOTE Selection of a seal presumes the user has already considered the condition of the item to be sealed; some items, such as open rack containers, are not suitable for any seal on the container itself. A seal is only one element in a security system; any seal will only be as good as the system into which it is introduced.

In general terms, a low-strength indicative seal should be used where only indication of entry is desired. Where a physical barrier is a definitive requirement, either a security or high-security seal should be used.

All seals should be easy to fit correctly on the item to be sealed and, once *in situ*, be easy to check for positive engagement of the locking mechanism(s). Correct handling and fitting of seals is at least equal if not greater in importance than selection of the correct seal. A poorly chosen but correctly fitted seal may provide security; however, a well-chosen but incorrectly fitted seal will provide no security.

4.1.2 Security and high-security seals shall be sufficiently durable, strong, and reliable so as to prevent accidental breakage and early deterioration (due to weather conditions, chemical action, vibration, shock, etc.) in normal use.

4.1.3 To preclude the simple removal or loss of a bolt seal by pulling the pin head or locking body through a worn container hasp, the minimum diameter (or minimum widest cross-dimension) for the metal components of a bolt seal shall be 18 mm. This shall be referred to as the "Bolt Seal Diameter Qualification" and it is pass/fail. ISO 17712-compliant bolt seals must pass.

NOTE The seal users who participated in the Working Group for this International Standard were from the international liner shipping industry. They indicated that field personnel experienced recurring problems with 17 mm seals which could be removed intact by pulling the pin head or locking body through worn container hasps. Those members of the Working Group requested that ISO 17712 require an 18 mm minimum diameter for metal parts of bolt seals.

4.1.4 All classes of seals shall be capable of being affixed easily and quickly.

4.1.5 Container seals are typically subjected to the harsh environments of the marine, rail, and road transportation industries. Sand and dust, salt spray, grease, snow, ice, and grime can be expected to coat the seal. Physical shock and vibration are commonly encountered as a result of handling and transport operations. ISO 18185-3, Freight containers — Electronic seals — Part 3: Environmental characteristics, provides an excellent description of the harsh environment that applies to mechanical seals as well as electronic seals. ISO 18185-3 also provides useful guidelines that are generally applicable to mechanical seals. Mechanical seals shall be constructed to be fit for their intended purposes.

4.1.6 Indicative, security, and high-security seals shall be fit for use in the environmental conditions to which maritime containers may be exposed.

4.2 Marking

4.2.1 Seals shall be identified by unique marks (such as a logotype) and unique numbers that are readily legible; markings intended for unique identification of the seal shall be considered permanent. All seals shall be uniquely numbered and identified. The identity of the manufacturer or private label holder shall be evident on every seal, either name or logo.

4.2.2 Seals meeting the relevant criteria shall be marked or stamped in a readily legible way to identify their classification as indicative (“I”), security (“S”), or high-security (“H”) seals. Any modification of markings shall require obvious irreversible physical, chemical, heat, or other damage to or destruction of the seal.

4.2.3 Manufacturers or distributors shall not affix such classification marks unless the conditions in 4.2.3.a and 4.2.3.b are met.

- a) The seal shall meet the appropriate physical parameters in this International Standard, as certified by an accredited testing facility [A.3.3 a)].
- b) The firm that manufactures the seal complies with the security-related practices described in [Annex A](#), as certified by an accredited process review organization (A.3.2).
- c) Furthermore, for a seal to be affixed the “H” mark, it shall be designed and constructed with tamper evidence features that generate tell-tale evidence of tampering, as documented in a compliance certification letter and the audit report by an accredited process review organization.

4.2.4 In the case of reusable devices, the seal number should be carried on the portion designed to be cut off so as to preclude its reuse.

4.2.5 Seals shall be marked and constructed in such a manner that manufacturers shall be able to identify their own products.

4.2.6 Manufacturers may add a machine-readable bar code to their seals. The bar code shall represent the unique identification numbers as reflected in [4.2.1](#). Bar codes, if used, shall comply with customer specifications; or, in the absence of a contrary customer specification, the manufacturer shall comply with ISO/IEC 15417, which addresses Code 128 bar code symbology specification.

4.3 Identification marks

Regulatory authorities and private customers may require identifiers that go beyond the requirements of this International Standard, such as in the following cases.

- a) Seals intended for use on freight containers moving under customs laws shall be approved or accepted and individually marked as determined by the relevant customs organization or competent authority.
- b) If the seal is to be purchased and used by customs, the seal or fastening, as appropriate, shall be marked to show that it is a customs seal by application of unique words or markings designated by the customs organization in question and a unique identification number.
- c) If the seal is to be used by private industry (i.e. a shipper, manufacturer, or carrier), it shall be clearly and legibly marked and uniquely numbered and identified. It may also be marked with a company name or logo.

4.4 Evidence of tampering

4.4.1 Seals shall be designed and constructed so that tamper attempts create and leave evidence of that tampering. More specifically, seals shall be designed and manufactured to prevent removal of or undoing the seal without breaking, or tampering without leaving clear visible evidence, or undetectable re-application of seals designed for single use. Compliant high-security “H” seals shall demonstrate their ability to resist such tamper attempts as documented in a certification letter and audit report regarding the seal manufacturer by an accredited process review organization in accordance with [Clause 6](#) and Normative [Annex A](#). Such documentation shall, upon request, be made available to competent governmental agencies or authorities and to *bona fide* private seal users.

4.4.2 Seals constructed with plastic coating over metal components shall have sufficiently thick metal components so as to preclude removal of the plastic coating, opening of the seal, and re-closing of the seal without leaving visual evidence of tampering.

4.4.3 Different seal types evidence tampering in different ways. It is recommended that users receive training in seal inspection and detection of tampering.

NOTE 1 A useful field and training guide for inspecting seals and detecting tampering is ASTM F1158 "Standard guide for inspection and evaluation of tampering of security seals."

NOTE 2 [Table 5](#) provides useful examples of tampering evidence.

5 Testing for seal classification

5.1 General

5.1.1 There are four physical test procedures: tensile, shear, bending, and impact. The impact procedure is performed twice at different temperatures. Five samples shall be evaluated for each of the five tests. A total of 25 samples are needed to complete the testing necessary to classify a seal as indicative, security, or high security.

The lowest classification for any sample on any test shall define the classification for the seal being evaluated. To achieve a given classification, all samples must meet the requirements for that classification in all five tests.

NOTE The terms indicative, security, and high security refer to the barrier capabilities of the seal (respectively, minimal, medium, and meaningful barrier strength). [Since indicative seals, by definition, 'can easily be broken by hand' ([3.1.4](#)), indicative seals do not need to be subjected to the strength tests in [Clause 5](#).] The classification names do not imply any differences in security against tampering.

5.1.2 Testing is to be done once every two years as set forth in A.3.3 a) unless more frequent testing is required by the competent authority or there is a meaningful modification in the design or material specifications of the seal.

Seals shall be tested as sold. Test samples shall be selected at random from inventory available for sale.

The general type of seal and its configuration shall be used to determine the appropriate attachment to the test fixture.

Manufacturers shall submit all relevant products to an accredited independent testing laboratory to ensure that the product complies with [Clause 5](#). The testing lab shall be accredited according to ISO/IEC 17025 with an explicit scope that includes this International Standard.

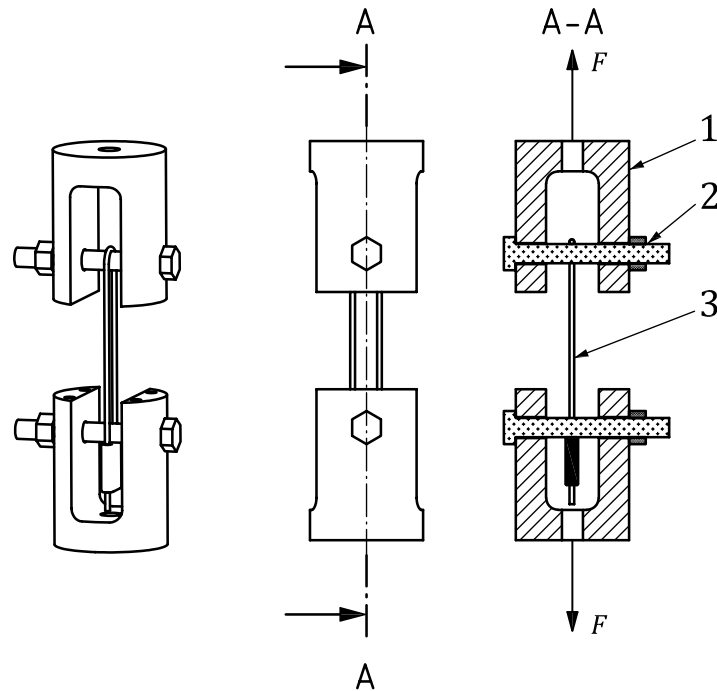
5.2 Tensile test

A pull test shall be conducted to determine the strength of a seal's locking mechanism. The test fixture shall apply a uniform load to the seal in a manner that simulates reversal of the motion used to lock the seal. The load shall be slowly applied until the seal forcibly opens or is otherwise broken. For all seals, pulling speed must be $(50,8 \pm 25,4)$ mm/min.

The seal shall be classified according to the criteria in [Table 1](#) based on the tensile force recorded at the time of seal failure.

[Figures 1](#) to [5](#) illustrate the apparatuses for conducting tensile tests; [Figures 1](#) to [4](#) are required while [Figure 5](#) is suggested.

All tests should be carried out at a temperature of (18 ± 3) °C.

**Key**

- 1 shackle fixture: steel, case hardening depth 0,7 mm
- 2 seal support bolt and nut: steel, Class 10.9, see Notes 2, 3, and 4
- 3 seal location
- F* applied tensile force

NOTE 1 The same seal support fixture is used for the tensile test and the impact test. This seal support fixture (and the bolt seal support fixture in [Figure 2](#)) fits into the complete apparatus shown in [Figure 11](#).

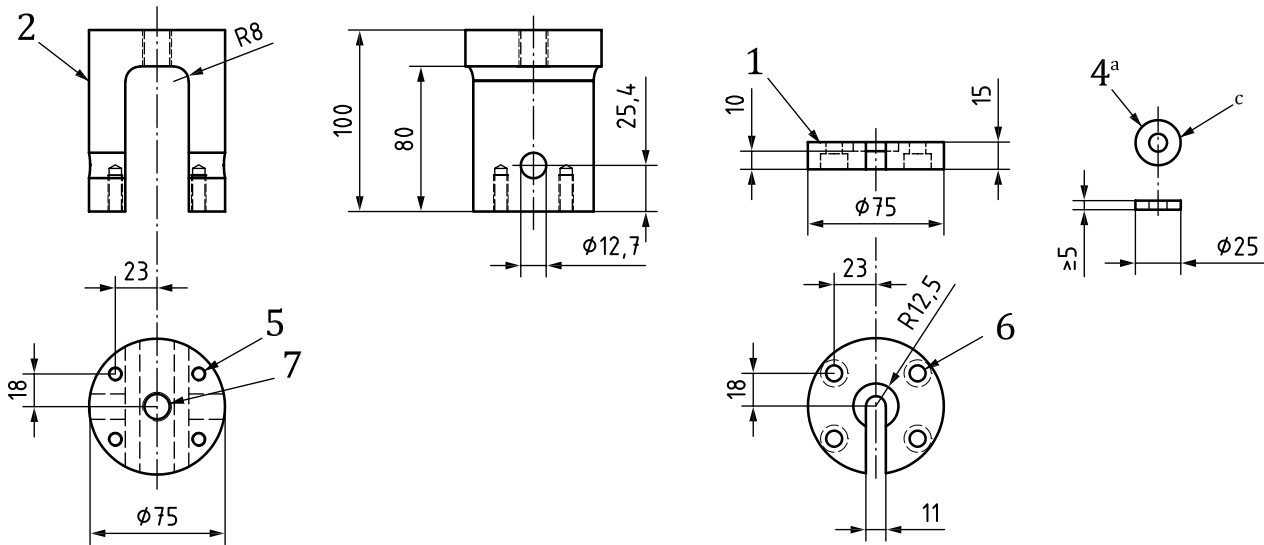
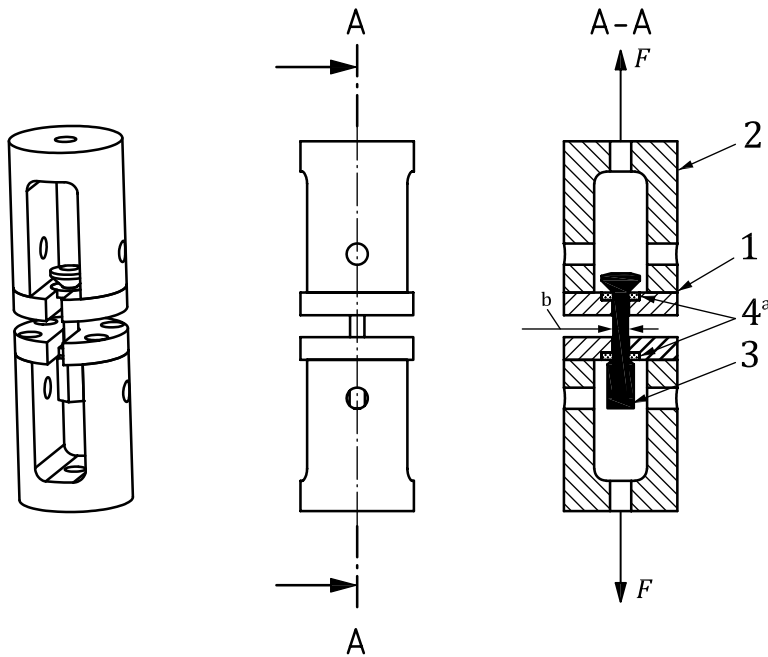
NOTE 2 Seal support bolt diameter 6,35 mm (0,25 inches) for seals with smallest cross-sectional dimension less than or equal to 3,18 mm (0,125 inches).

NOTE 3 Seal support bolt diameter 12,7 mm (0,5 inches) for seals with smallest cross-sectional area greater than 3,18 mm (0,125 inches).

NOTE 4 Tolerance $\pm 0,254$ mm (0,010 inches).

Figure 1 — Tensile test apparatus — Wire seal, strap seal, cable seal, cinch seal

Dimensions in millimetres



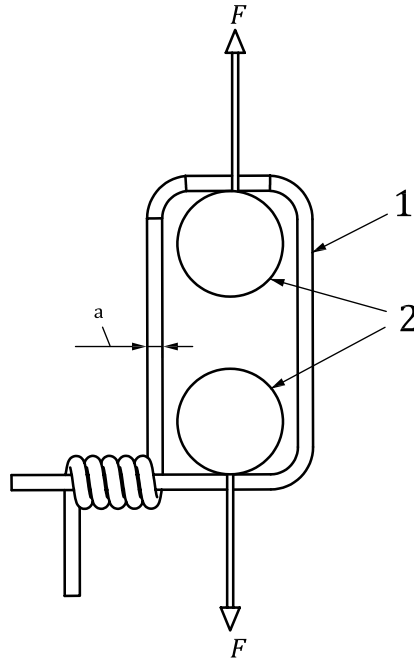
Key

- 1 bolt seal support: steel, case hardening depth 0,7 mm
- 2 shackle fixture: steel, case hardening depth 0,7 mm
- 3 bolt seal location
- 4 2 × bolt seal support washer: steel, case hardening depth 0,7 mm
- 5 4 × thread M8 × 1 mm, 20 mm deep
- 6 4 × counterbore for M8 × 1 mm
- 7 1 × thread M16 × 1,5 mm thru
- F* applied tensile force
- a The bolt seal support washer (4) thickness may be increased to allow seal clearance but shall not be less than 5 mm.
- b Cross-section dimension
- c 5 % to 10 % larger than the largest cross-section of the bolt seal shaft

NOTE 1 All fasteners used shall be Class 12.9 socket cap-type screws with the specified thread pitch. English substitute fasteners must be Grade 8 and have diameter equal or greater than the specified fastener.

NOTE 2 The same bolt seal support fixture is used for the tensile test and the impact test. The complete apparatus is shown in [Figure 11](#).

Figure 2 — Tensile test apparatus — Bolt seals



Key

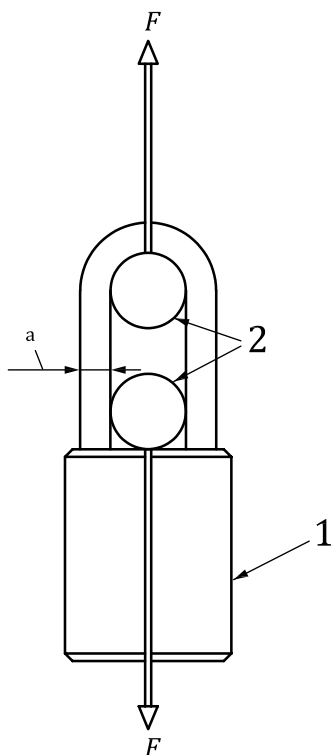
- 1 twist seal
- 2 pin, see Notes 1, 2, and 3
- F applied tensile force
- a Cross-sectional diameter

NOTE 1 Seal support bolt diameter 6,35 mm (0,25 inches) for seals with smallest cross-sectional dimension less than or equal to 3,18 mm (0,125 inches).

NOTE 2 Seal support bolt diameter 12,7 mm (0,5 inches) for seals with smallest cross-sectional dimension greater than 3,18 mm (0,125 inches).

NOTE 3 Tolerance $\pm 0,254$ mm (0,010 inches).

Figure 3 — Tensile test apparatus — Twist seal



Key

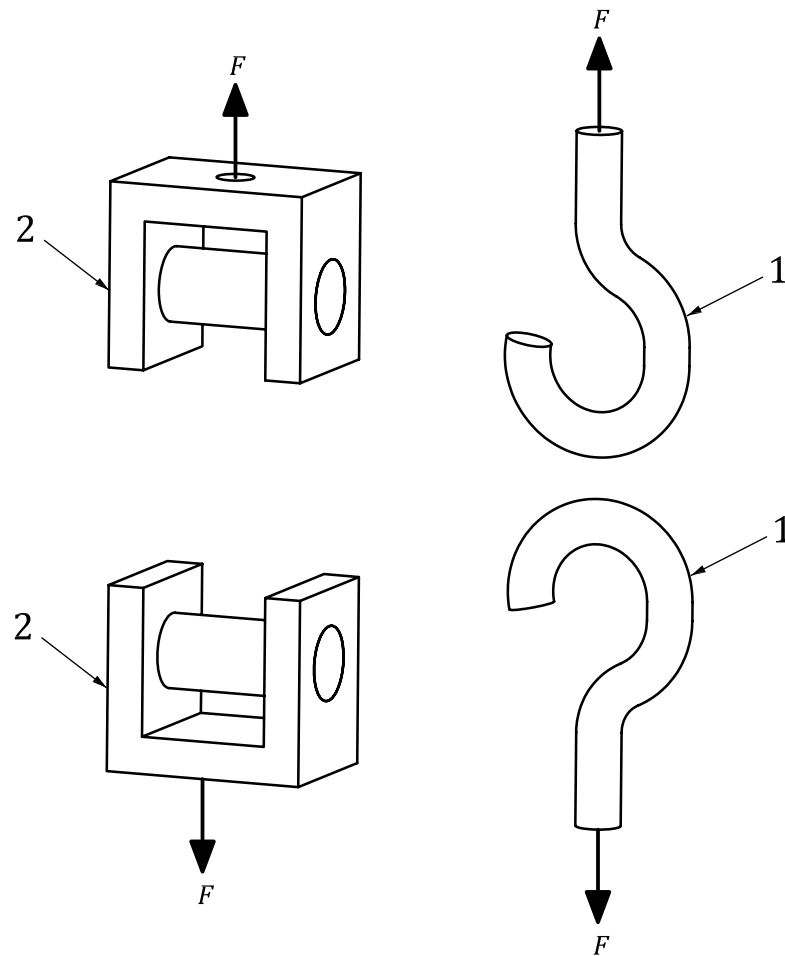
- 1 padlock seal
- 2 pin, see Notes 1, 2, and 3
- F* applied tensile force
- a Cross-sectional diameter

NOTE 1 Seal support bolt diameter 6,35 mm (0,25 inches) for seals with smallest cross-sectional dimension less than or equal to 3,18 mm (0,125 inches).

NOTE 2 Seal support bolt diameter 12,7 mm (0,5 inches) for seals with smallest cross-sectional dimension greater than 3,18 mm (0,125 inches).

NOTE 3 Tolerance $\pm 0,254$ mm (0,010 inches).

Figure 4 — Tensile test apparatus — Padlock seal



Key

- 1 seal support bolt
- 2 pin
- F* applied tensile force

Figure 5 — Suggested tensile test apparatuses — Other seals

Table 1 — Tensile test seal classification requirements

Load to failure kN ^a	Seal classification
10,0	“H” (high-security seal)
2,27	“S” (security seal)
< 2,27	“I” (indicative seal)
^a 1 kN = 225 lbf.	

5.3 Shear test

5.3.1 A shear test shall be conducted to test the ability of a seal to withstand cutting with shearing blades, as might be implemented with bolt cutters. The cutting blades used in the test fixture shall be sufficiently well aligned that seals are cut and not merely deformed as might occur with a thin, flexible

seal and misaligned blades. The compressive load shall be applied until the seal is severed; however, the maximum load shall be limited in accordance with Note 2.

Travel rate for shear test: 12,5 mm ± 6,35 mm/min.

5.3.2 The seal shall be classified according to the criteria in [Table 2](#) based on the compressive load recorded at the time of seal failure and in accordance with Note 3.

[Figures 6](#) and [7](#) illustrate alternative required apparatus for conducting tensile tests. The apparatus in [Figure 7](#), the shear test bypass apparatus, shall be used for strap, wire, and small diameter cable seals. The apparatus in [Figure 6](#) shall be used for all other seals.

When performing the shear test, apply shear force at the weakest section of the seal.

Fixtures shall be designed such that applied stress is within the elastic limit of the fixture material.

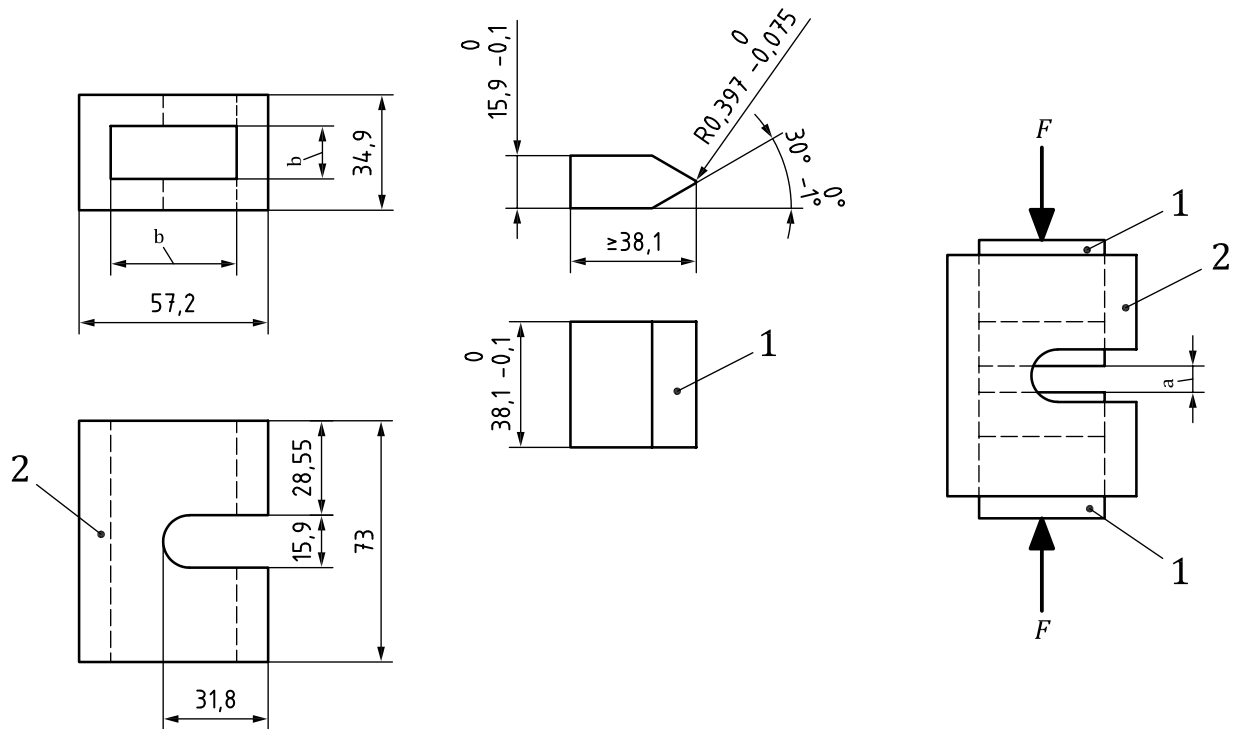
Tests shall be carried out at a temperature of 18 °C ± 3 °C.

CAUTION — Do not exceed a shear force of 8 900 N (2 001 lbf). If the specimen has not failed at that force, halt the test and unload the test equipment. Record a shear force of 8 896 N (2 000 lbf). Sudden and violent rupture of the test specimen can endanger personnel, equipment, and property.

Table 2 — Shear test seal classification requirements

Load to failure kN ^a	Seal classification
3,336	“H” (high-security seal)
2,224	“S” (security seal)
< 2,224	“I” (indicative seal)
^a 1 kN = 225 lbf.	

Dimensions in millimetres



Key

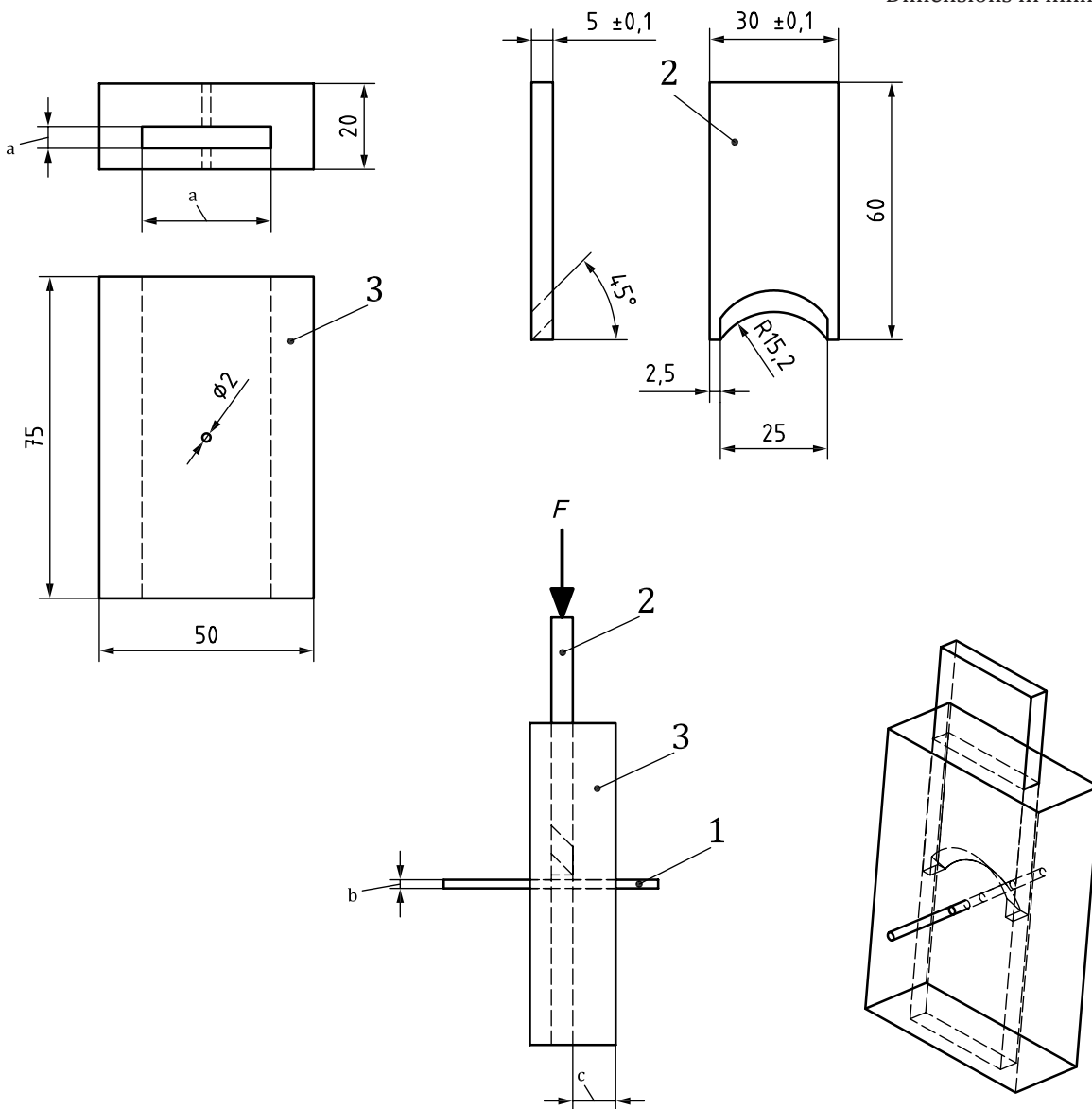
- 1 cutting blades, machined from cutter jaws 60, Rockwell "C" scale
- 2 cutting test fixture (appropriate dimensions depend on final ground size of cutting blades)
- F* applied shear force
- a 15,9 mm (5/8 inches) shear gap for seal location during test
- b 0,1 mm larger than the final ground length/width of the blade

NOTE 1 The cutting test fixture (specimen holder) may be made in two pieces and assembled by bolt or weld construction.

NOTE 2 The opening in the cutting test fixture (specimen holder) may be shimmed to achieve the intended fit. Cutting blades shall be in alignment within 0,1 mm.

Figure 6 — Shear test apparatus

Dimensions in millimetres



Key

- 1 special specimen
- 2 cutting jaw: steel, 60 to 62 Rockwell "C" scale
- 3 specimen holder: steel, case hardened to 0,7 mm
- F* applied force
- a 0,1 mm larger than the final ground length/width of the blade
- b Cross-section dimension
- c Minimum $5 \times$ smallest cross-section dimension

NOTE 1 This fixture shall be used for cable seals less than 2 mm in diameter and other types of seals too small in cross-section to be effectively sheared by the fixture in [Figure 6](#).

NOTE 2 The specimen holder may be made in two pieces and assembled by bolt or weld construction.

NOTE 3 The opening of the specimen holder may be shimmed to achieve the intended fit.

Figure 7 — Shear test bypass apparatus — Small diameter cable, wire and strap seals

5.4 Bending test

5.4.1 The bending test is conducted to determine the resistance of a seal to failure under bending loads. How the test is run shall be based on the subclassification of the seal as either flexible or rigid. Flexible seals shall be tested for their ability to resist repeated bending cycles without failure. Rigid seals shall be tested to determine their resistance to deformation by bending.

5.4.2 For flexible seals, fix the locking end and flex the material adjacent to this fixed end repeatedly through an arc of 180° until failure or 501 cycles, whichever occurs first. Record the number of cycles through this 180° arc and base classification of the seal on the number of cycles, as shown in [Table 3](#). The bending time (speed) for each cycle of 180° (i.e. duration of bend from -90° to +90°) is (3 ± 1) s.

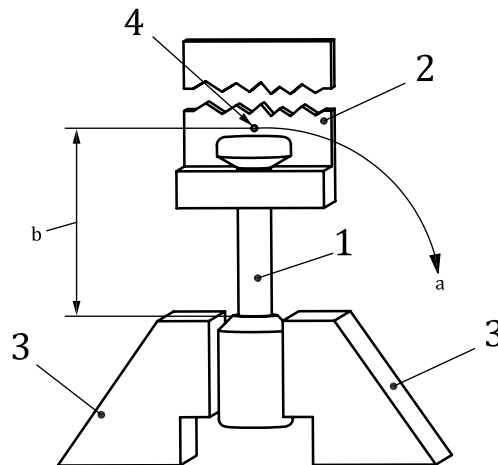
Tests should be carried out at a temperature of (18 ± 3) °C.

5.4.3 For single-shaft rigid seals, fix the locking end and then fit a tube (300 ± 5) mm long over ≤ 20 mm of the remaining seal and apply a load. The bending time (speed) for each cycle of 90° is (3 ± 1) s. Record the load required to bend the seal and the distance above the fixed end of the seal (the moment arm) that the load is applied. Base the classification of the seal on the maximum bending moment recorded and in accordance with the values given in [Table 3](#).

5.4.4 For rigid seals with two shafts such as in a padlock seal, fix the locking end and then fit a bar or other suitable lever over ≤ 20 mm of the remaining seal and apply a load. Rotate the rod or bar until it is in contact with both shafts. Continue to rotate the bar in the same direction an additional 90°. Record the torsional force needed to achieve the 90° rotation or to cause failure of the locking mechanism if that occurs prior to achieving the 90° rotation. Base the classification of the seal on the maximum bending moment recorded and in accordance with the values given in [Table 3](#). The duration of bending to 90° (speed) is (3 ± 1) s.

[Figures 8](#) to [10](#) illustrate the required apparatus for conducting bending tests.

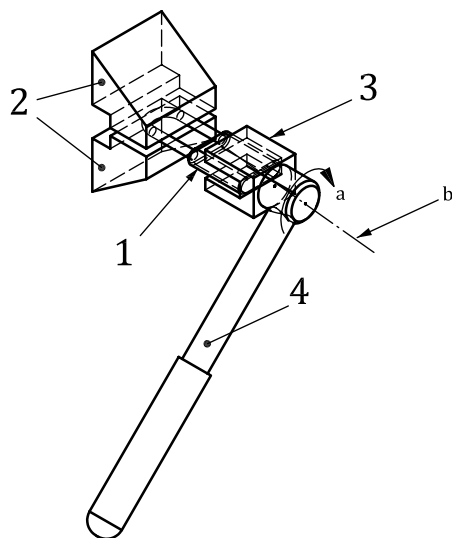
Tests should be carried out at a temperature of (18 ± 3) °C.



Key

- 1 bolt seal
- 2 movable bolt seal holder
- 3 holding device (vice or similar object)
- 4 point of applied load
- a 90° movement
- b Moment arm

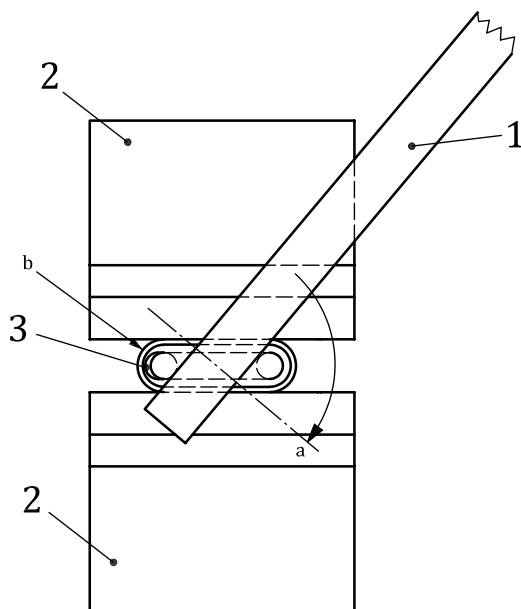
Figure 8 — Bending test apparatus — Bolt seal



Key

- 1 seal (padlock type)
- 2 vice or similar fixture to fix the seal shackle
- 3 seal fixture for torque wrench (size and shape of fixture depend on seal shape)
- 4 torque wrench
- a Apply torsional load about centreline of seal
- b Centreline of seal and torque wrench

Figure 9 — Bending test apparatus — Padlock seal



Key

- 1 bar for load application (shown in rest position)
- 2 vice or similar fixture to fix seal body
- 3 shackle of flexible seal
- a 90° motion (first step) return to rest position (second step)
- b Top view of seal

Figure 10 — Bending test apparatus — Padlock seal (top view)

Table 3 — Bending test seal classification requirements

Cycles to failure (flexible seals)	Bending moment to failure (rigid seals) Nm ^a	Seal classification
501	50	"H" (high-security seal)
251	22	"S" (security seal)
< 251	< 22	"I" (indicative seal)
^a 1 Nm = 0,737 562 1 ft-lbf.		

5.5 Impact test

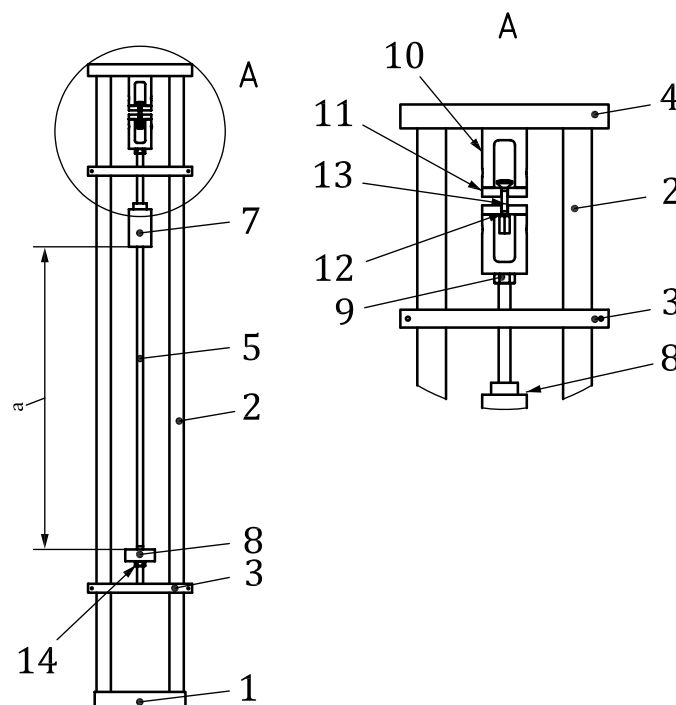
5.5.1 The impact test shall be conducted to determine the resistance of the seal to an impact load at $(18 \pm 3) ^\circ\text{C}$ and at $(-27 \pm 3) ^\circ\text{C}$. For the cold test, the test specimen and the test apparatus shall reside in a cold chamber and be chilled completely to the specified temperature. The test shall be conducted in the cold chamber.

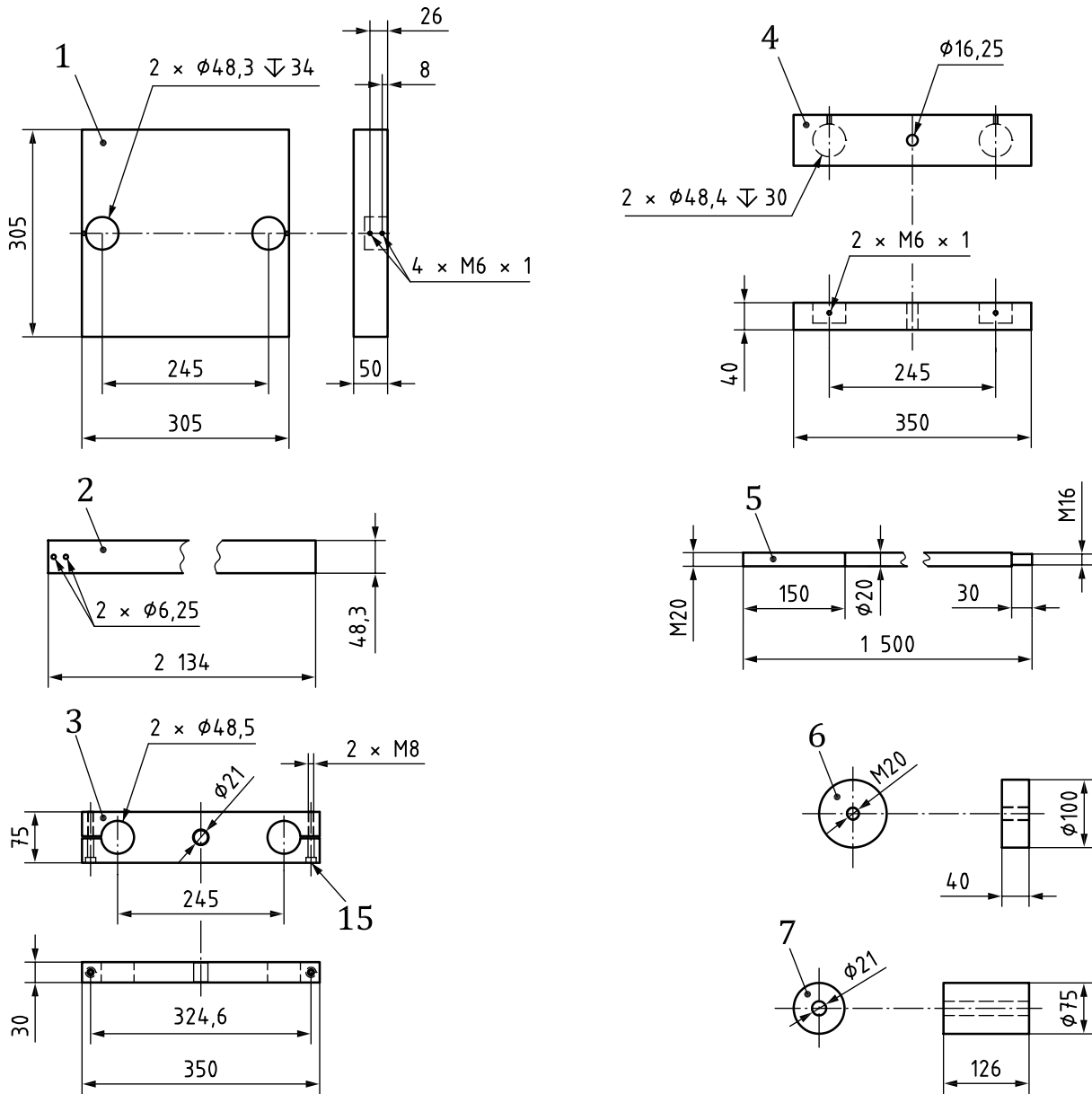
The impact load shall be applied five times at a load equivalent to 13,56 J. Subsequent impact test sequences shall be run at a load that is 13,56 J higher than the previous five impact loads. Impacts shall be run until the seal fails or successfully withstands five impacts at 40,68 J. A second set of five seals shall be tested at the second temperature.

The test fixture shall be devised so the impact load is applied at the locking mechanism of the seal in the direction opposite the direction used in locking the seal. The impact test apparatus uses the same bolt seal support fixture as does the tensile test ([Figure 2](#)), but it adds a provision for applying impact loads. [Figure 11](#) illustrates the required apparatus for conducting impact tests.

The impact test apparatus shall be placed directly on a solid concrete floor.

CAUTION — Use safety glasses during the test. During impact, test parts can become detached, which presents an injury risk.

**Figure 11 — Impact test apparatus**



Key

- | | |
|--|---|
| 1 base plate: aluminium | 9 M16 locking nut |
| 2 support tube: "1 1/2 in" galvanized pipe | 10 shackle fixture: steel, case hardening depth 0,7 mm |
| 3 shaft cross support: aluminium | 11 bolt seal support: steel, case hardening depth 0,7 mm |
| 4 fixture support: steel | 12 bolt seal support washer: steel, case hardening depth 0,7 mm |
| 5 weight guide shaft: steel | 13 bolt seal location |
| 6 anvil collar: steel | 14 M20 locking nut |
| 7 dead blow weight: steel, (4 ± 0,01) kg | 15 2 × counterbore for M8 |
| 8 adjustable stop collar: steel | |
| a Dead blow drop height | |

NOTE All fasteners used shall be Class 12.9 with the specified thread pitch. English substitute fasteners shall be Grade 8 and have a diameter equal or greater than the specified fastener.

Figure 11 — Impact test apparatus (continued)

5.5.2 The seal shall be classified according to the criteria in [Table 4](#) based on the lowest impact load recorded at the time of seal failure. (In order to be classified as high security, all 10 test samples must survive five impacts of 40,68 J at high and low temperatures.)

Table 4 — Impact test seal classification requirements

Low temperature impact load, J	High temperature impact load, J	Dead blow mass drop height (see Figure 10)	Seal classification
40,68	40,68	1,037 m	“H” (high-security seal)
27,12	27,12	0,691 m	“S” (security seal)
< 27,12	< 27,12	0,346 m	“I” (indicative seal)

5.6 Seal classification test report

The test report shall contain as a minimum the following information:

- a) identification/description of the test specimen;
- b) reference to this International Standard (i.e. ISO 17712);
- c) results of the test: (a)..., (b)..., as specified in the individual tests;
- d) conditioning, pre-treatment, etc.;
- e) temperature and the relative humidity in the test room throughout the test;
- f) details of the supply and monitoring equipment and the response criteria;
- g) details of any deviation from this International Standard or from the international standards to which reference is made, and details of any operations regarded as optional.

6 Evidence of tampering

6.1 General

This clause requires that seals be designed and constructed with tamper evidence features that generate tell-tale evidence of tampering. The fundamental function of any seal is “indicativeness”, the ability to reveal evidence after attempts have been made to tamper with the seal. In practical field applications, this calls for evidence available to visual or other inspection of a seal *in situ* by a commercial or regulatory person.

This clause also requires that, for high-security seals desired to be [Clause 6](#)-compliant, a manufacturer can demonstrate the tamper-evident properties and related documentation to the auditors of an accredited process review organization; this shall occur as part of the seal manufacturer’s ISO 9001, Quality Operational Procedures (QOP) in accordance with Normative [Annex A](#). The report of the independent and accredited auditing agency shall address compliance of the manufacturer’s tamper evidence program, including testing. For ease of use in its customer and regulatory relationships, manufacturers may request a summary letter from the auditing agency that certifies such compliance.

NOTE 1 “An accredited process review organization” is a third-party organization accredited according to ISO/IEC 17020.

NOTE 2 Tamper-evident capabilities can result from engineering and design features, methods of construction, or a combination of factors.

NOTE 3 Resistance to tampering is another important factor in seal design and manufacture. Since any given security product can be tampered with given sufficient time, motivation, and resources, lab-based attempts to measure a seal’s time-to-resist tampering have shown little practical value in a standards context.

NOTE 4 Seals are much more vulnerable to successful tampering when they can be manipulated prior to application and closing. Seal designers and manufacturers shall strive to minimize the possibility of easy pre-closure manipulation — that is, before seals are put in place and closed. Pre-application tampering (pre-tampering) generally requires collusion by someone within the supply chain, usually at the shipment's point of origin, before a container is stuffed, closed, and sealed. Experience indicates that careful attention to security-related seal procedures is the most effective method to mitigate vulnerability to pre-tampering. It is critical how seals are received by the seal purchaser from the seal manufacturer, how the received seals are stored before they are affixed, and who affixes the seals. These user policy, training, and system discipline issues may be addressed by customs administrations and other regulatory bodies as part of the authorization of trading entities to use their own seals in place of customs seals.

6.1.1 Appropriate internal testing should be done per the type of seal used on shipping containers under the conditions the seal would encounter in a typical shipping environment. As part of its security-related practices and as a condition for its certification in conformance with Normative [Annex A](#) (A.3.2), the seal manufacturer shall arrange for, and undertake, appropriate testing of the tamper evidence features in each of its various high-security seal products that it desires to be compliant with this standard. Such testing shall be done once every two years as specified in A.3.3 a) or earlier if there is a meaningful modification in the design or material specifications of the seal. The testing shall be done on samples of seals manufactured for sale. Testing of seals that are not intended for sale is not permissible.

The manufacturer shall make available the relevant seal products, with the appropriately documented internal test processes, procedures, and results to the auditors of the accredited process review organization that undertakes the ISO 9001 (or equivalent) quality system certification and auditing of the seal manufacturer. This documentation shall, upon request, be made available to competent governmental agencies or authorities and to *bona fide* private seal users.

NOTE Normative Annex A requires ISO 9001 certification by properly accredited independent auditors.

6.1.2 The effective date for conformance with [Clause 6](#) is 12 months after the publication of this International Standard. After that date, the requirements of [6.1.1](#), paragraph 2 come into effect for manufacturers offering ISO 17712-compliant high-security seals.

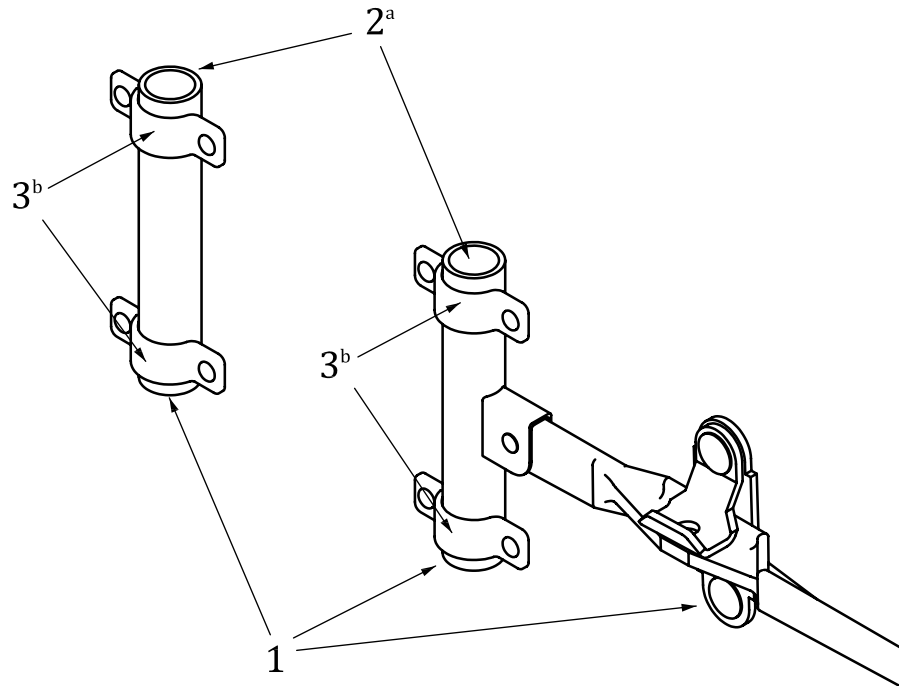
NOTE There is a transition delay for [Clause 6](#) tamper evidence conformance because ISO 9001 certification of a manufacturer's tamper-evident procedures and program is a new requirement; manufacturers and accreditation agencies require time to prepare. Twelve months will enable the mandatory independent tamper-evident processes to be put in place without unnecessary constraints on trade due to a lack of compliant high-security seals. [Annex B](#) also addresses the transition period for [Clause 6](#) testing.

6.2 Test apparatus

The testing apparatus shall be constructed to represent the container door or appropriate locking mechanism and conditions that most seals will encounter during normal user operations. [Figure 12](#) reflects a typical situation of medium challenge to a malefactor: a container-on-chassis, with left and right hand door inner locking rods (for cable and similar seals) and a flat vertical surface onto which a shipping container style of door handle will be affixed at a height of approximately 2 m above floor level (for bolt seals). The same apparatus may be used for testing all common types of seals.

NOTE 1 [Figure 12](#) provides for the most common seal locations on the large fleet of containers already in service. Since this location exposes more of the seal to handling and manipulation than more modern container door fastening systems, it is the most demanding location in which to test a seal for tamper evidence. As a result, the same seals will provide a higher level of tamper resistance when applied to container hardware that exposes less of the seal to manipulation. This is the case for all new-build containers, which must meet ISO container design standards, particularly ISO 1496-1.

NOTE 2 The focus of this International Standard is mechanical seals; it does not address the design of the container door fixtures.



Key

- 1 standard grade container door replacement hardware mounted on 2,0 cm or thicker exterior grade plywood
- 2 vertical bars represent interior locking rods on the left and right container doors
- 3 locking bar clamps
 - a Vertical bars shall extend at least one metre above the clamps shown and shall be clamped to the plywood at that point.
 - b Locking bar clamps shall hold the vertical rods 50 mm away from the plywood mounting board.

NOTE The purpose of this test fixture is to provide mounting locations for bolt, cable, and other forms of seals to permit testing of the seals for tamper evidence *in situ*. The purpose is not to test alternative forms of container door hardware.

Figure 12 — Tamper test apparatus

6.3 Test tools

Test tools shall include readily available hand tools as found in most workplaces, including gripping devices, levers, pliers, knives, and hammers. Other available tools shall include hand-held power tools (for example, drills) and special tools, including wire probes and dentistry instruments. Devices shall be available to expose the tested seal to extreme temperature conditions, including hot water and/or flame or freezing appliances and/or aerosols.

6.4 Test methods

6.4.1 This section describes some general types of test methods (tamper attempts) that may be applied to tested seals. Selection of a specific procedure requires some discretion on the part of the manufacturer because appropriate procedures vary according to the design and construction of the seal under test.

6.4.2 The internal testing shall be carried out on randomly selected seals of normal production. Seals shall be tested as sold.

6.4.2.1 The internal testing process shall define appropriate test procedures for the model of seal under test. Each of the test procedures will be performed on a single seal that is correctly fitted in accordance with the manufacturer's instructions and *in situ* on the specific test fixture.

6.4.2.2 Per ISO 9001 procedures, manufacturers shall establish written instructions on how to perform each test.

6.4.3 Testers may use single tools or a combination of tools and procedures to attempt to disengage, damage, separate, or manipulate the locking action of the seal. The goal of each procedure will be to allow the seal to be opened and re-closed without leaving evidence of the tampering detectable upon visual inspection.

Similarly, attempts may be made to disassemble the seal and rebuild it to allow re-closure either with original parts, commonly available replica parts or, substitute parts previously disassembled from a practice seal of the same type and design, again without leaving evidence of the action detectable upon visual inspection.

Other examples of tamper test approaches are spinning of bolt heads, using probes to release the locking body's grip in the pin, and trying to replace a removed head or bolt with another that has an altered ID number.

Manufacturers shall define the specific procedures based on the type and design of the seal and conditions of typical use.

NOTE 1 Detailed test procedures are not enumerated for two reasons. Firstly, prudence about seal security argues against publishing detailed tampering illustrations for potential malefactors in an International Standard. Secondly, it is not feasible to provide tailored procedures for the wide variation of seal design and construction details.

NOTE 2 The absence of detailed tamper test specifications in this International Standard and the discretion entrusted to the manufacturers create a special challenge and responsibility. Process review organizations are encouraged, as part of their certification and auditing of seal manufacturers' compliance with ISO 9001 (or equivalent) quality systems, to address how the individual manufacturer manages this challenge.

6.5 Evidence of tampering

After the tamper attempt, a tested seal shall be inspected for evidence of tampering. The tested seal shall be subjected to close visual examination; the initial inspection on all types of seals should be to pull the seal by hand, using a twisting action, in the direction opposite to the locking action. Additional physical inspection should be conducted as necessary. Tamper-evident features on seals should be easy to inspect to facilitate regular checks at various points *en route*. Different evidence will appear on different seal types; examples of the types of evidence to look for are given in [Table 5](#).

NOTE ASTM F1158, Guide for inspection and evaluation of tampering of security seals,^[9] is a useful field and training guide.

Table 5 — Evidence of tampering related to type of seal

Seal type	Security checks/evidence of tampering
all types	evidence of abrasion or solvent/chemical distortion in and around the area of the seal markings post-production marks, scratches, or abrasions, paying particular attention to the surfaces around the locking areas, external shoulders, construction joins, welds, or forms deformities or inconsistencies in the profile of the seal surfaces, particularly at the point of entry on seals that use the male-into-female method of locking and also at the point of exit on pull-through types free play in the locking mechanism on seals that are designed to allow this. Conversely, check that there is no free play on designs that do not allow this
bolt seals	clamping marks on any sections of the plasticized or plain pin or bush signs of cutting and re-joining on the exposed shaft of the pin signs of cutting and re-joining around the base section of the bush
cable seals	frayed sections or deformation of the uniform pattern of the cable along the full length evidence of abrasion, drilling, or gluing where cable is permanently fixed to the seal body
plastic seals and plastic sheathed seals	scratches, abrasions, or signs of heat welding/gluing on all surfaces and around external shoulders blanching (whitening) of colour on polypropylene materials

NOTE Seal manufacturers and users should not rely exclusively on this table when designing-in tamper evidence features in seal products. For example, they would want, on a regular basis and as part of their security-related practices, to monitor publicly available information (for example, on the Internet) regarding attempts to defeat seals without leaving tell-tale evidence of tampering.

6.6 Test results

Manufacturers shall provide independent auditors and validators of tamper-testing processes with detailed information based on practical attacks on that seal type. Documentation may take the form of photographs, videos, or physical review of actual test samples.

Annex A (normative)

Seal manufacturers' security-related practices

A.1 Introduction

This annex addresses security-related practices relevant to the manufacture and distribution of seals that conform to this International Standard.

The structure of this International Standard reflects the six stages in the life of a freight container seal, as shown in [Table A.1](#). Since this International Standard is about the security-related practices of seal manufacturers, the focus within each stage is on the actions within the purview of those manufacturers.

“Manufacturer,” as used in this annex, refers to the company responsible for the design of the product and driving the process of bringing the product to the market. When that company owns and operates one or more producing factories for seals, then the company headquarters and all its seal producing factories shall be covered within the term “manufacturer.” When the company does not own the producing factory and subcontracts the seal production, “manufacturer” still refers to the driving company and not to the operator/owner of the “xyz” factory.

In order to demonstrate conformance to this annex, manufacturers shall have a timely audit completed by an independent process certification provider specifically accredited to audit conformance with ISO 17712.

NOTE Manufacturers might find it convenient to have audits for ISO 17712 performed at the same time and by the same provider that performs its audit for ISO 9001.

Table A.1 — Six stages in the life of a freight container seal

Stage number	Stage name	Role of seal manufacturers
1	design process	total responsibility
2	manufacturing	total responsibility
3	distribution	shall set security-related performance expectations for distributors and resellers shall help educate distributors and re-sellers
4	user knowledge and discipline	shall help educate users in the care of seals prior to their application to containers, trailers, or other receptacles shall help educate users in correct use of seals
5	in-transit management	may help users and regulators educate supply chain personnel
6	after-life	total responsibility for maintaining data on production, sales, and ID numbers of seals shall help educate distributors and re-sellers about maintaining historical data on their seal inventories and sales have no role in maintaining chain-of-custody information on completed cargo shipments

A.2 Manufacturer security-related practices in stage 1, design process

- a) Manufacturers shall design and classify the physical performance characteristics of seals in accordance with this International Standard. The body of the standard establishes uniform procedures for classification of mechanical seals for freight containers. The specification defines

physical parameters for different levels of a seal's physical performance – indicative seals, security seals, and high-security seals.

- b) Although the scope of ISO/TC 104 is freight containers, seals that conform to this International Standard are suitable for other applications, such as bulk railcars or truck trailers used in cross-border and domestic operations. Users and regulatory agencies may apply this International Standard to other applications as they deem appropriate.
- c) Manufacturers shall “design-in” effective tamper resistance and tamper evidence for all their seal products in conformance with [Clause 4](#).

A.3 Manufacturer security-related practices in stage 2, manufacturing

A.3.1 General

This clause describes the security-related practices to be applied by seal manufacturers during stage 2.

There are two dimensions to certification under A.3. The first addresses the security-related business processes of the manufacturer (in A.3.2). The second addresses the physical properties of the seals themselves (in A.3.3).

A.3.2 Seal manufacturer certification

- a) Seal manufacturers shall maintain an ISO 9001 (or equivalent) quality system at all company-owned manufacturing facilities for all processes connected with seals. Additional confidence can be achieved through certification.
- b) When purchasing contract production services for market-ready seal products, manufacturers should purchase from plants that maintain an ISO 9001 (or equivalent) quality system.
- c) If a manufacturer's facility or outside production facility for market-ready seal products fails to maintain an ISO 9001 (or equivalent) system, notification shall be sent to the appropriate customs administrations and other appropriate regulatory bodies.
- d) The security practices referenced herein shall be implemented in accordance with this International Standard.
- e) Manufacturers shall accept random and unannounced audits of facilities and documentation for certification of conformance with this annex; audits are to be accomplished by accredited third-party process review bodies. The scope of accreditation of these bodies shall include this International Standard.
- f) Manufacturers shall conduct an initial security risk assessment of facilities and periodic update reviews and implement countermeasures and/or policies to overcome potential vulnerabilities or threats.
- g) Manufacturers shall assign responsibility for security and product integrity to knowledgeable individual(s), with a principal point of contact.
- h) Manufacturers shall agree to cooperate with relevant law enforcement officials.
- i) Manufacturers shall cooperate with regulatory and certification bodies in responding to questions and issues regarding compliance, irregularities, copying, etc.
- j) Manufacturers shall develop and maintain a crisis management strategy to prepare for and respond to tampering and other malicious, criminal, or terrorist actions; the strategy shall provide guidelines to segregating and securing affected product.
- k) Manufacturers shall promote seal security awareness among all staff. Security awareness includes identification of whom in management they should alert about potential security problems (24-h contacts).

- l) Manufacturers shall require background checks on all employees to the extent allowed under local law or regulation.

NOTE The “third-party process review bodies” may include competent governmental agencies or authorities. Nothing in this International Standard implies that industry certifying or regulatory bodies would reveal trade secrets or proprietary information among competitors.

A.3.3 Seal product certification

- a) In accordance with [Clause 5](#), manufacturers shall submit all relevant products to an accredited independent testing laboratory for mechanical testing. In accordance with [Clause 6](#), manufacturers shall make available to the accredited process review organization all the appropriate internal testing procedures and results correctly documented to confirm tamper evidence testing and compliance; (this is mandatory for “H” qualification, optional for “I” and “S” classifications). Both the [Clause 5](#) and [Clause 6](#) aspects are necessary to ensure compliance with this International Standard.
- b) Manufacturers shall mark seals with their company identity.
- c) Manufacturers shall produce seals with unique numbers and identifiers. Manufacturers shall not re-use or duplicate these unique seal numbers or identifiers unless authorized by the *bona fide* user for the specific seal application.
- d) Manufacturers shall track the physical identifiers of all seals and related products that they produce or have produced for them. Manufacturers shall record, by seal type, the number and identifier, date of finished production, date of order, date seals were shipped, and name(s) of consignee(s). Manufacturers shall retain this information for a period of at least 7 years in a manner that makes it readily available upon request by a regulatory or certification body.
- e) Manufacturers shall restrict the distribution of custom-designed seal application and/or removal tools to facilities authorized by the *bona fide* user.
- f) Manufacturers shall segregate and render non-functional any incidental production of scrap seal product before disposal.
- g) Manufacturers shall control access to production and storage areas and loading docks and stores seals and related devices in secure areas.
- h) Manufacturers shall lock all loaded trailers or containers on the premises.
- i) Manufacturers shall perform inspections to confirm their security expectations by verifying driver identification, if applicable, and verifying the load and count of inbound seal components.
- j) Manufacturers shall implement a policy for off-hour deliveries to ensure prior notice of these deliveries. The policy will require the presence of an authorized individual to receive these shipments. Advance notification, by phone, fax, or e-mail, should be required from all vendors/suppliers for incoming deliveries.

A.4 Manufacturer security-related practices in stage 3, distribution

Sales organizations such as distributors or resellers can enhance or undermine even the best manufacturer’s security program. The manufacturer shall help educate their distributors and resellers about the importance, mutual advantage, and specifics of effective seal security programs.

The manufacturer shall set guidelines and should undertake to ensure that their distributors and resellers comply with the following security-related guidelines.

- a) Distributor/reseller shall permit manufacturer to review its security procedures.
- b) Manufacturers, if they become aware of a gap in distributor/reseller security practices, shall identify that gap and recommend needed changes that will provide seals and related devices with the necessary oversight and accountability.

- c) Distributors/resellers shall not sell seals or related devices without the manufacturer's identity marked on the devices.
- d) Distributors/resellers shall record all aspects of a seal shipment, including source, seal numbers and identifiers, description and the name and address of the individual placing the order, and the consignee for the order. Distributor/reseller shall retain such records for a period of at least 7 years. Upon request from a government regulatory agency, the distributor/reseller shall make the necessary records available to assist the agency in the investigation of a cargo shipment incident.
- e) Distributors/resellers shall conduct an initial security risk assessment of its facilities and implement countermeasures and/or policies to overcome potential vulnerabilities or threats.
- f) Distributor/reseller shall control access to storage areas and loading docks, and store seals and related devices in secure areas.
- g) Distributor/reseller shall lock all loaded trailers or containers on the premises.
- h) Distributor/reseller shall "inspect what it expects" by verifying driver identification, if applicable, and verifying the load and count of inbound seal components.
- i) Distributor/reseller shall implement a policy for off-hour deliveries to ensure prior notice of these deliveries. The policy will require the presence of an authorized individual to receive these shipments. Advance notification, by telephone, facsimile transmission, or e-mail, should be required from all vendors/suppliers for incoming deliveries.

A.5 Manufacturer security-related practices in stage 4, user knowledge and discipline

This stage focuses upon the security-related practices of *bona fide* users, including government agencies, such as customs administrations, that might apply seals to a container shipment. The influence and responsibility of seal manufacturers in stage 4 is limited to education.

Security-related practices, in this instance, can be enhanced by the seal manufacturer through the inclusion of educational information about seals on product cartons, product literature, the Internet, and on-site training when appropriate.

- a) Manufacturers shall help educate users in the importance of proper control of and record-keeping about seals *prior to* their application and use.
- b) Manufacturers shall help educate users in correct and most effective use of seals, including conformance with applicable standards and regulations.

A.6 Manufacturer security-related practices in stage 5, in-transit management

In-transit shipment chain-of-custody falls beyond the responsibility of the seal manufacturer. However, manufacturers may help users and regulators educate supply chain personnel.

Such education involves the application of chain-of-custody principles. Such principles may include assuring that bar code readers, where applicable, are functioning, that the seal is the right type, that its number has been documented and verified, that its application is correct, and that an audit trail is established. In addition, the principles may include a seal anomaly policy, such as procedures to follow if tampering is noted during a shipment.

A.7 Manufacturer security-related practices in stage 6, after-life

Most of the post-shipment stage in the life cycle of a seal relates to maintaining chain-of-custody information about the shipment of goods itself. Seal manufacturers have no role in maintaining chain-of-custody information on completed cargo shipments.

ISO 17712:2013(E)

Manufacturers' responsibilities and security-related practices relate to data about the seals themselves. These responsibilities and practices are covered in stages 2, 3, and, to a lesser extent, 4. Manufacturers retain

- a) total responsibility for maintaining the manufacturer's data on seal production, sales, and unique numbers and identifiers, and
- b) responsibility to educate distributors and re-sellers about maintaining historical data on their seal inventories and sales.

Annex B (normative)

Transition time for requirements of amended [Clause 6](#)

B.1 Introduction

[Clause 6](#) of this revised International Standard has a deferred effective date (transition time) following publication of this International Standard. [Clause 6](#) addresses testing for tamper evidence.

The purpose of this annex is to assist users of this International Standard by clarifying normative transition requirements and related informative guidance in a single location. All normative statements in this annex are restatements of requirements in the numbered clauses of this International Standard; should there be a discrepancy, the requirements in the numbered clauses are definitive.

NOTE Another purpose of this annex and the relevant text in the body of the standard is to prescribe a transition process that is cost effective, fair, and timely for all stakeholders.

B.2 Testing for evidence of tampering

[Clause 6](#) establishes a requirement and process review procedures for compliant high-security seals regarding evidence of tampering.

The effective date for the requirement of [Clause 6](#) is 12 months after the publication of this International Standard. As of that date, manufacturers of compliant high-security seals shall possess documentation of conformance in accordance with [6.1.1](#) and [6.1.2](#).

Unused inventory of [Clause 6](#) non-compliant high-security seals shall not be represented as ISO 17712-compliant.

Manufacturers may obtain documentation and market [Clause 6](#)-compliant seals prior to the effective date.

B.3 Education and information dissemination

Education of seal distributors, purchasers, and regulatory bodies is important to ensure a smooth transition for both topics. The following items are mandated or recommended as appropriate.

- a) Beginning six months after publication of this International Standard, compliant manufacturers shall include notice about the transition with all compliant high-security seal marketing materials, order forms, and shipping documents.
- b) Industry associations of seal manufacturers, shippers, carriers, and third parties are encouraged to inform their members and others of the upcoming change and the reasons for it.
- c) Seal manufacturers are encouraged to plan production levels accordingly.
- d) Seal users are encouraged to plan their seal requirements and purchases accordingly.

NOTE The chair of ISO/TC 104 is encouraged to inform, in writing, liaison groups within and outside of ISO about the upcoming change and the reasons for it.

Bibliography

- [1] ISO 690, *Information and documentation — Guidelines for bibliographic references and citations to information resources*
- [2] ISO 1496-1, *Series 1 freight containers — Specification and testing — Part 1: General cargo containers for general purposes*
- [3] ISO 9001:2008, *Quality management systems — Requirements*
- [4] ISO/IEC/TR 10000-1, *Information technology — Framework and taxonomy of International Standardized Profiles — Part 1: General principles and documentation framework*
- [5] ISO 10241 (all parts)¹⁾, *Terminological entries in standards*
- [6] ISO/TR 15070, *Series 1 freight containers — Rationale for structural test criteria*
- [7] ISO 18185-3, *Freight containers — Electronic seals — Part 3: Environmental characteristics*
- [8] ISO 80000 (all parts), *Quantities and units*
- [9] ASTM F1158, *Standard Guide for Inspection and Evaluation of Tampering of Security Seals*
- [10] ASTM F1157-04, *Standard Practice for Classifying the Relative Performance of Physical Properties of Security Seals*

1) Cancelled and replaced by ISO 10241-1 and ISO 10241-2.

