

---

---

**Intelligent transport systems —  
Automatic vehicle and equipment  
identification — System parameters**

*Systèmes intelligents de transport — Identification automatique des  
véhicules et des équipements — Paramètres des systèmes*





**COPYRIGHT PROTECTED DOCUMENT**

© ISO 2012

All rights reserved. Unless otherwise specified, no part of this publication may be reproduced or utilized in any form or by any means, electronic or mechanical, including photocopying and microfilm, without permission in writing from either ISO at the address below or ISO's member body in the country of the requester.

ISO copyright office  
Case postale 56 • CH-1211 Geneva 20  
Tel. + 41 22 749 01 11  
Fax + 41 22 749 09 47  
E-mail [copyright@iso.org](mailto:copyright@iso.org)  
Web [www.iso.org](http://www.iso.org)

Published in Switzerland

# Contents

Page

Foreword .....	iv
Introduction .....	v
1 Scope .....	1
1.1 General .....	1
1.2 Aim .....	1
2 Normative references .....	1
3 Terms and definitions .....	2
4 Symbols and abbreviated terms .....	3
5 System architecture and specification .....	3
5.1 Generic specification .....	3
5.2 Architecture and data structure of elements .....	4
6 Requirements and parameters .....	4
6.1 Basic rules .....	4
6.2 System operational parameters and requirements .....	5
6.3 Specific parameters and performance criteria for the reader .....	6
6.4 Specific operational parameters and performance criteria for tag .....	8
Bibliography .....	11

## Foreword

ISO (the International Organization for Standardization) is a worldwide federation of national standards bodies (ISO member bodies). The work of preparing International Standards is normally carried out through ISO technical committees. Each member body interested in a subject for which a technical committee has been established has the right to be represented on that committee. International organizations, governmental and non-governmental, in liaison with ISO, also take part in the work. ISO collaborates closely with the International Electrotechnical Commission (IEC) on all matters of electrotechnical standardization.

International Standards are drafted in accordance with the rules given in the ISO/IEC Directives, Part 2.

The main task of technical committees is to prepare International Standards. Draft International Standards adopted by the technical committees are circulated to the member bodies for voting. Publication as an International Standard requires approval by at least 75 % of the member bodies casting a vote.

Attention is drawn to the possibility that some of the elements of this document may be the subject of patent rights. ISO shall not be held responsible for identifying any or all such patent rights.

ISO 17263 was prepared by the European Committee for Standardization (CEN) Technical Committee CEN/TC 278, *Road transport and traffic telematics*, in collaboration with Technical Committee ISO/TC 204, *Intelligent transport systems*, in accordance with the Agreement on technical cooperation between ISO and CEN (Vienna Agreement).

ISO 17263 cancels and replaces ISO/TS 17263:2003, which has been technically revised.

## Introduction

This International Standard specifies parameters for a system for the automatic identification of equipment, vehicles and items (AEI) used in intermodal transport chains. This International Standard is designed to enable users and suppliers of AEI systems to specify or use a system or components of a system that will enable interoperability. Such systems are designed to read and transfer the identity and some further important data of equipment, vehicles and items used in intermodal transport to other partners in each possible transport chain to minimize the expenditure and to automate the process of transport observation and control. This standard is a part of a family of standards for that purpose.

AEI systems are necessary as a basic tool for RTTT/TICS applications in intermodal transport operation. These information systems need real-time highly reliable data about the identity, status, time, location, etc. of the equipment, vehicles or items during the transport operation. The characteristics of an intermodal transport chain is that pieces of equipment or items will be loaded or unloaded more than once from other pieces of equipment or vehicles. AEI systems in such applications are also able to provide the identity of both units at the loading and unloading process. The purpose is to capture the event so that the information system reflects the real world.

This International Standard is specifically aimed at DSRC-type air interfaces. The requirement and test methods may not apply for Intermodal AEI systems using long-range communications such as Cellular Networks or Satellite, or vicinity communication such as inductively coupled antennas. The interoperability across the air interface (reference point Delta) is outside the scope of this International Standard. Please see ISO 17264.

Any system used to read identity and related data has to be based on a standardized system to allocate an unambiguous identity to each item, vehicle, load unit or equipment as defined in ISO 17262.



# Intelligent transport systems — Automatic vehicle and equipment identification — System parameters

## 1 Scope

### 1.1 General

This International Standard establishes an AEI system based on radio frequency technologies. This system is intended for general application in RTTT/TICS. It allows the transfer of the identification codes and further information about equipment and vehicles used in intermodal transport into such RTTT/TICS and information systems related to intermodal transport processes. Within the intermodal context of the RTTT/TICS Sector, AEI systems have the specific objective of achieving an unambiguous identification of an ITU or related equipment or vehicle or item used in intermodal transport, and to make that identification automatically. Vehicles will be considered and handled under Intermodal aspects as “Intermodal Equipment”. Therefore, a differentiation between AEI and AVI systems for the purpose of this standard is not required.

### 1.2 Aim

The aim of this International Standard is to define, describe and specify the System Parameters related to an intermodal AEI system to provide an enabling Standard, which, while allowing the system specifier to determine the performance levels and operating conditions, provides a framework for interoperability. Therefore this International Standard specifies

- a) parameters and requirements of the identification system itself,
- b) performance criteria necessary to ensure consistent and reliable operation of AEI systems within international transport processing,
- c) requirements of the performance and the position of the electronic devices (tag) when installed on intermodal equipment, and
- d) requirements for the installation of readers, and performance data related to these components.

These parameters of an AEI system shall be identical, compatible or interoperable world-wide in respect of systems complying to this Standard. Yet it is recognized that, at the implementation level, there may be requirements for regional or operational differences in the performance levels achieved against these parameters.

## 2 Normative references

The following referenced documents are indispensable for the application of this document. For dated references, only the edition cited applies. For undated references, the latest edition of the referenced document (including any amendments) applies.

ISO 10374, *Freight containers — Automatic identification*

ISO 14815, *Road transport and traffic telematics — Automatic Vehicle and Equipment Identification – System specification*

ISO 17261, *Intelligent transport systems — Automatic vehicle and equipment identification — Intermodal goods transport architecture and terminology*

ISO 17262, *Intelligent transport systems — Automatic vehicle and equipment identification — Numbering and data structures*

ISO 17264, *Intelligent transport systems — Automatic vehicle and equipment identification — Interfaces*

ISO 17363, *Supply chain applications of RFID-Freight containers*

ISO 17365, *Supply chain applications of RFID-Transport units*

ISO 18185-1, *Freight containers — Electronic seals — Part 1: Communication protocol*

ISO 24534 (all parts), *Automatic vehicle and equipment identification — Electronic Registration Identification (ERI) for vehicles*

ISO 24535, *Intelligent transport systems — Automatic vehicle identification — Basic electronic registration identification (Basic ERI)*

EN 13044, *Swap Bodies — Coding, Identification and Marking*

### **3 Terms and definitions**

For the purposes of this document, the terms and definitions given in ISO 17261 and the following apply.

#### **3.1**

##### **AEI Reader**

complete equipment even if it consists of more than one components required to interrogate, receive and interpret the data in the tag in order to present the identification

#### **3.2**

##### **AEI System**

AEI application in a RTTT/TICS system either as a stand-alone system or as part of a RTTT/TICS application

#### **3.3**

##### **category**

grouping of common class requirements to support interoperability between AEI systems of common purpose

EXAMPLE A “Ruggedised” category versus a “Standard” category.

#### **3.4**

##### **class**

term used to differentiate between system components with different “grades” of requirements for parameters

#### **3.5**

##### **intermodal transport**

movement of goods in one and the same loading unit or vehicle which uses successively several modes of transport without handling of the goods themselves when changing modes

#### **3.6**

##### **interoperability**

stands for “Application Area Interoperability” in a region spanning two or more areas with cross-border operation between operator domains, districts or nations; the capability for an AEI Reader to operate with a AEI System tag

#### **3.7**

##### **load unit**

containers, swap bodies and semi-trailers suitable for intermodal transport

#### **3.8**

##### **transport means**

vehicle used for the transport of goods

EXAMPLES vessel, train, truck

#### **3.9**

##### **operational parameter**

term used to describe different operational component properties/specifications

**3.10****shadowing**

condition where the close proximity of a vehicle/equipment interposed between reader and tag obscures the signals thus preventing a successful AEI transaction

**3.11****small container unit**

intermodal transport units which are smaller than a standard 20-foot-ISO-Standard container or CEN-swap body

NOTE Small containers are also called medium containers or “less than container unit” (LCU).

NOTE The size of such LCU’s will be at least one ISO- or Euro-palette.

**3.12****tag**

equipment fitted to the unit, vehicle or item to be identified and containing the unambiguous identification, and if required some further data

NOTE For special purposes, the tag can be installed in a fixed position with a mobile reader

**4 Symbols and abbreviated terms**

AEI	Automatic Equipment Identification
ASN.1	Abstract Syntax Notation number One
DSRC	Dedicated Short Range Communication
ITU	Intermodal Transport Unit
LCU	Small container
NOTE	Less than Container Unit.
RTTT	Road Transport and Traffic Telematics (CEN TC 278)
TICS	Transport Information and Control Systems (ISO TC204)

**5 System architecture and specification****5.1 Generic specification**

This International Standard is designed to enable users and suppliers of AEI systems to define a system specification including system requirements to enable international interoperability based on harmonised DSRC links.

NOTE The interoperability across the air interface (reference point Delta) is outside the scope of this International Standard. Please see ISO 17264.

The term “AEI” is used both to describe “independently functioning AEI systems” and as “the function of identification within other RTTT/TICS applications”. Both such uses are supported by this International Standard where no other application or sector standard applies.

The Generic System specification for AEI Systems in the intermodal transport world in terms of functions supported, the interface requirements, the structure of the information and data related to system components and the data exchange shall be in accordance to the specification described in the following standards:

- ISO 17261, *Architecture and terminology*;
- ISO 17262, *Numbering and data structures*;
- ISO 17264, *AVI/AEI interfaces*,

in order to guarantee the interoperability of equipment, vehicles or items used at the same time in regular and in intermodal environment.

## 5.2 Architecture and data structure of elements

Figure 1, taken from ISO 14814 provides a schematic summary of the conceptual architecture.

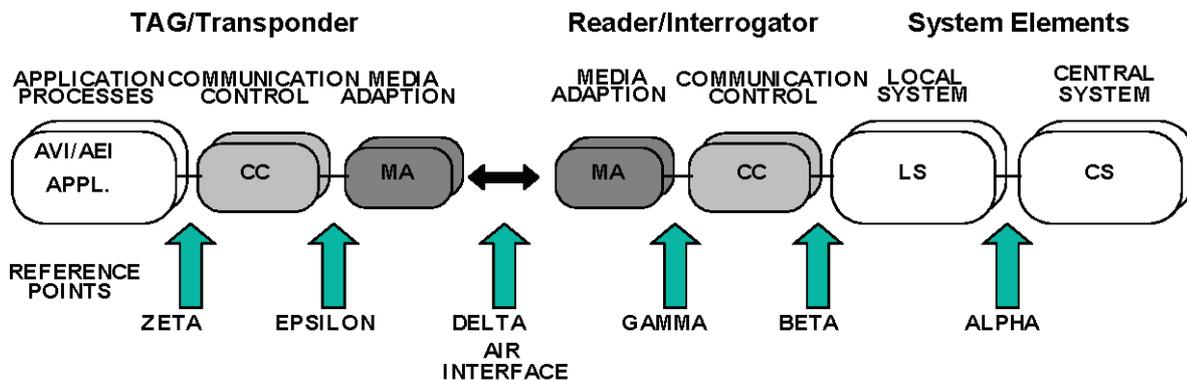


Figure 1 — Overall Conceptual Reference Architecture Model of an AEI System

For the data structure elements, Abstract Syntax Notation One (ASN.1) Packed Encoding Rules (PER) are used (see ISO/IEC 8824 and ISO/IEC 8825-2).

For further detailed information concerning:

- conceptual architecture;
- logical architecture;
- functional architecture;
- control architecture;
- identification principles;
- information architecture;
- physical (application) architecture,

see ISO 17261 and ISO 17262.

## 6 Requirements and parameters

### 6.1 Basic rules

#### 6.1.1 Purpose

The purpose of the use of AEI systems in intermodal transport is the identification of vehicles, equipment and items on several appropriate points in an intermodal transport chain for several applications.

EXAMPLE Such applications can be:

- fleet management;
- yard management (i.e. entry/exit control, hand-held reading, etc.);
- transport observation and in preparation;
- check an assign procedure of an ITU to a vehicle (terminal operation);
- etc.

The functional and technical condition of the information exchange is to be specified in further application specific standards.

### 6.1.2 Data capture system categories

AEI systems shall be able to deliver at least the unique identification of the equipment, item or vehicle at different points in a transport chain, under different weather conditions and under different operational conditions.

Optionally, additional information (e.g. direction of the movement; basic data about the objects; and location at the moment of identification) may be supported. For different purposes, this standard defines the following data capture system categories:

- a) Fixed Point Data Capture System (e.g. access control at terminals);
- b) Lane Data Capture System (identification on highway or railway);
- c) Yard Control and Handling System (Usually movable readers equipment);
- d) Portable Data Capture System (Short distance Reading System, i.e. hand-held readers).

While a) and b) are fixed installations, the installations in c) and d) are usually mobile installations that may be fixed on a vehicle, crane or other equipment.

### 6.1.3 User requirements; technical and electronic features

In order to ease the commissioning procedure, the parameters are split into easily testable requirements.

The aim of this standard is to define only the most relevant parameters necessary to guarantee system interoperability and overall system operation.

Clause 6 contains the system requirements and parameters specified by the system operator.

In Table 1 a set of electronic parameters and requirements is presented to enable test methods for the system suppliers.

NOTE 1 If parts of the equipment are exclusively operated under narrow specified environmental conditions, different "operational classes" can be defined to avoid unacceptably high test-costs. A system specifier will then be able to specify the appropriate performance and design parameters to meet its own particular requirements. Such special environmental requirements will not be a part of the standard.

NOTE 2 Shadowing caused by normal traffic flow on roads or terminal gates has to be taken into account and overcome to provide a successful transaction. Abnormal shadowing may be caused by too many different objects stacked too closely. For systematic reasons, the user requirements will be split into:

- system requirements: all requirements coming from the practical deployment of the system and related to the system itself and its performance;
- tag requirements: all performance and technical requirements concerning the tag;
- reader requirements: the necessary characteristics for performance and proper operation of the reader.

## 6.2 System operational parameters and requirements

### 6.2.1 Basic requirements and performance criteria

An AEI system shall be able to read the tag affixed to different types of intermodal equipment automatically and with or without any pre-information and in any order. This International Standard is related to the following groups:

- vehicles such as lorries, tractors, straddle carriers, fork lifts, trailers and semi-trailers;
- standard or non-standard boxes such as swap bodies, ISO and domestic containers;
- small boxes such as logistic boxes and packages;
- transport supporting means such as load beds, spreaders and other handling devices.

The nominal reading process shall be carried out from the length side seen from the direction of the movement of any kind of equipment or item. This means perpendicular to the normal movement direction of the object which has to be identified.

The system shall be able to identify several (see Table 1) different objects and assign these objects to a common set such as e.g. a number of LCUs plus intermediate frames, plus a trailer, plus a lorry forming an intermodal road train. How the linking of the readings is achieved is outside the scope of this International Standard.

In the case where more than one lane is in use, the system shall be able to discriminate between lanes and direction. How this is achieved is outside the scope of this International Standard.

NOTE The nominal situation is that an object will carry only one tag, and then there usually is a need for reading the object from both sides. In case the position of the object is guaranteed, the reading may alternatively be done from one side only.

### **6.2.2 Reliability and security**

Reliability relates to the error rate between the reference points “alpha” and “delta” determined in 5.2. There are two parameters; non-readings and incorrect readings.

The non-reading rate: In order to guarantee the proper function of automatic data processing systems and/or RTTT/TICS, a compliant AEI system shall be able to provide less than one non-read during 10.000 identification attempts. These results shall be reached under nominal operational conditions at reference point Beta, see Table 1.

The incorrect reading rate: A compliant AEI system shall deliver less than 1 undetected errors during 1.000.000 identifications. These results shall be reached under nominal operational conditions at reference point Beta, see Table 1.

Confidentiality is an optional requirement for an interoperable AEI system (or system service) as its principle objective is to positively identify vehicles/equipment. Refer to ISO 17262 for further details.

NOTE In the case of high-security environments like border control, electronic sealing, etc. authentication and other security services like certification and non-repudiation may be inside the scope of the identification. The means of providing these security services are outside the scope of this International Standard.

## **6.3 Specific parameters and performance criteria for the reader**

### **6.3.1 General**

Readers will be normally used in relative closed areas. This could lead to varied environmental conditions.

Specific environmental-related requirements for specific use are a matter of agreements between the supplier and system operator. This is outside the scope of this International Standard.

### **6.3.2 Application-related performance criteria**

The reader of an AEI system shall meet at least the requirements defined in Table 1.

Table 1 — Performance criteria

Application categories	Reading distance	Tag separation in reading zone	Allowed tag versus reader orientation (Figure 2)	Passing speed
Fixed point data categories	Class 1 0,5 m - 5,0 m	0,10 m distance	in a conical area within an angle ( $\gamma$ ) of 20° from the reader centre axis and from the tag centre axis within an angle ( $\beta$ ) of 20	0,0 to 36,0 km/h
	Class 2 The specifications: in accordance with ISO 17363.			
Lane data capture system	1,0 m - 10,0 m	0,10 m distance between tags in any direction	in a conical area within an angle ( $\gamma$ ) of 25° from the reader centre-axis and from the tag centre-axis within an angle ( $\beta$ ) of 25°	0,0 to 160,0 km/h
	Class2 The specifications: in accordance with ISO 17363.			
Yard control and Handling systems	0,5 m - 5,0 m	0,10 m distance between tags in any direction	in a conical area within an angle ( $\gamma$ ) of 30° from the reader centre-axis and from the tag centre-axis within an angle ( $\beta$ ) of 30°	0,0 to 36,0 km/h
	Class2 The specifications: in accordance with ISO 17363.			
Portable data capture system	0,05 m - 0,5 m	No specific	No specific	0,0 to 3,6 km/h
	Class2 The specifications: in accordance with ISO 17365.			
A general-purpose system	The class and category specifications are in accordance with ISO 14815.			

### 6.3.3 Protection and safety

The reading system shall be designed in such a way that the environment will not be disturbed by the system (i.e. by electromagnetic interference), nor should operational environmental conditions disturb or damage the system (i.e. by electromagnetic interference, mechanical shocks, vibration, etc.). The allowed orientation of the tag versus the reader is shown in Figure 2. Please see ISO 14815 for environmental requirements and qualification procedures.

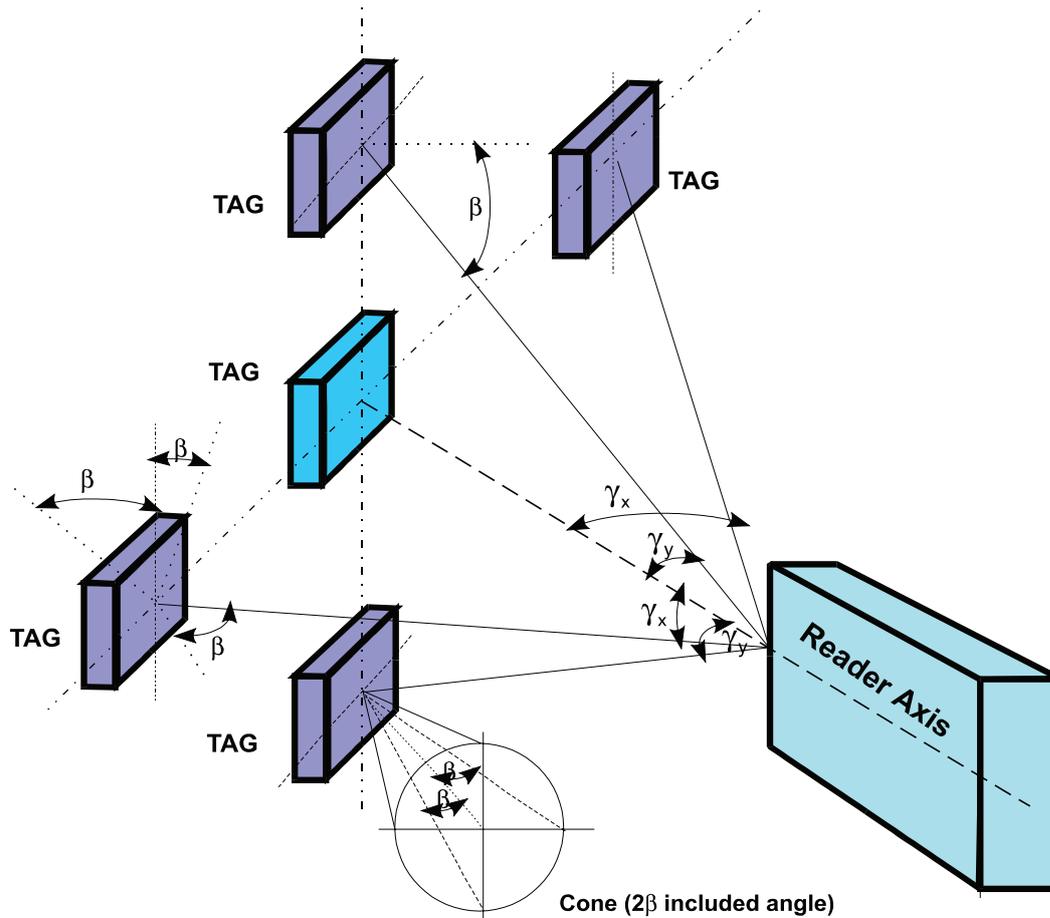


Figure 2 — Allowed tag versus reader orientation

## 6.4 Specific operational parameters and performance criteria for tag

### 6.4.1 Data contents and storage capacity

Each tag shall be able to store mandatory and optional data as specified in ISO 17262.

The tag may have R/W or R/O storage capacity in addition to identification.

NOTE Tags may additionally be used for monitor purpose such as temperature or pressure control inside of load units. The structure of these data must be agreed between suppliers, system operators and system clients.

### 6.4.2 Mounting conditions

NOTE The mounting condition and position specified in ISO/TC 104/SC 4/WG 2 standard ISO 18185-1 and ERI standards ISO 24534 and ISO 24535 are considered. The following contents are re-examined for any discrepancies to those standards.

AEI systems in intermodal transport operation are designed to read tag mounted on one of the two length sides of the object (seen from the normal direction of the movement), which should be identified.

For the most important standardized ITU in intermodal transport, the existing standards shall be taken into account, which already describe concrete rules to fix the tag. This means that the installation of tag on ISO containers shall be carried out as described in ISO 10374. The installation of a tag on European swap bodies shall be in accordance with EN 13044.

For all other applications, the mounting area and location of the tag on the object depends on the character of the object itself, which shall identified by the AEI system.

If an object which has to be identified is equipped with upper corner fittings, the aim should be as far as possible to fix the tag in a window around these handling devices as shown in Figure 3.

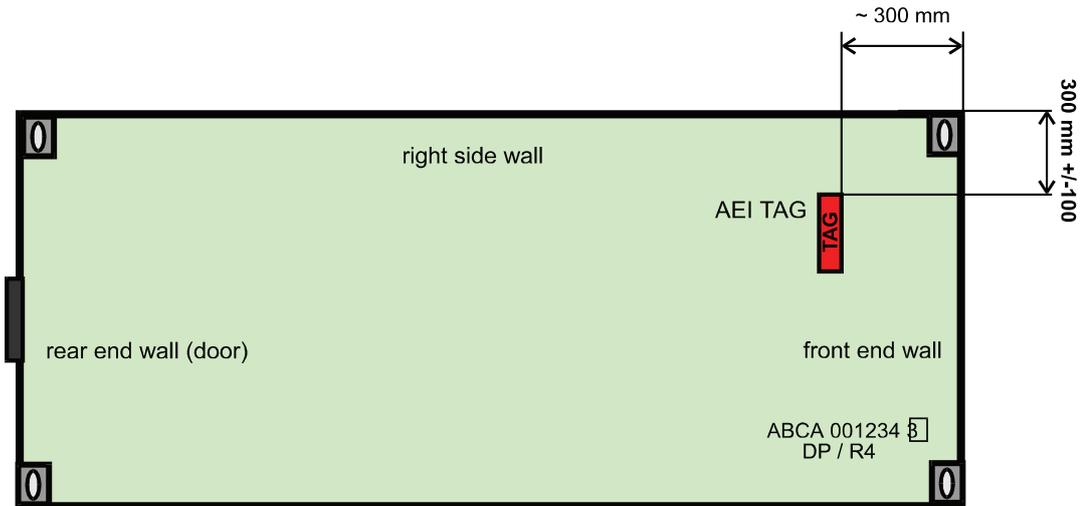


Figure 3 — Mounting window on intermodal transport units — ISO-Container

For those boxes where the tag position as defined in Figure 3 is not possible, the aim should be to fix the tag in a window as shown in Figure 4. This could be the case for any special containers or for a large number of swap body types.

For all types of vehicle or trailer to be identified in intermodal transport operation, a similar tag location area as defined in Figure 4 shall be defined, related to the centre of the first wheel (see Figure 4). For all types of vehicle or trailer to be identified in intermodal transport operation, a similar tag location area as defined in Figure 4 shall be defined, related to the centre of the first wheel (see Figure 4).

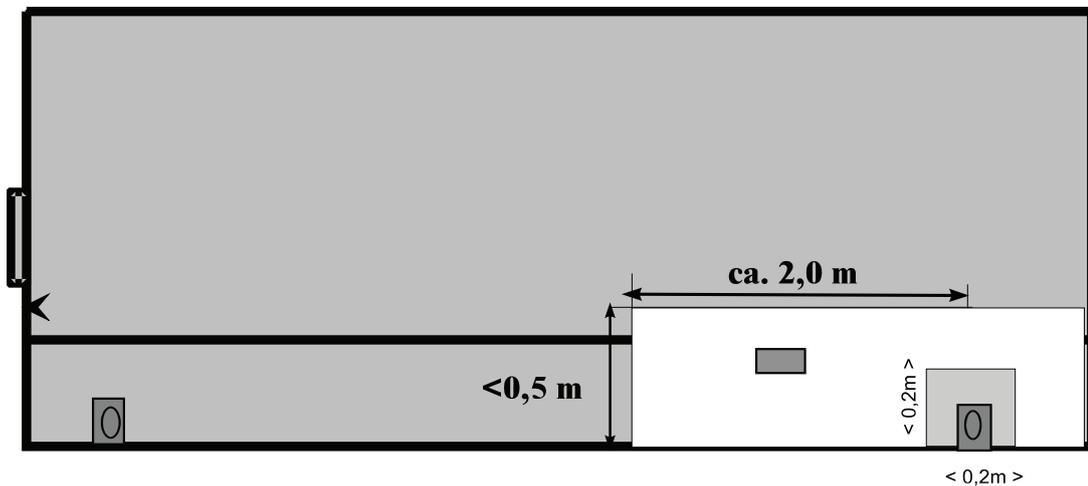


Figure 4 — Tag location area on intermodal transport units — Swap body (white area)

For all types of vehicle or trailer to be identified in intermodal transport operation, a similar tag location area as defined in Figure 4 shall be defined, related to the centre of the first wheel (see Figure 5).

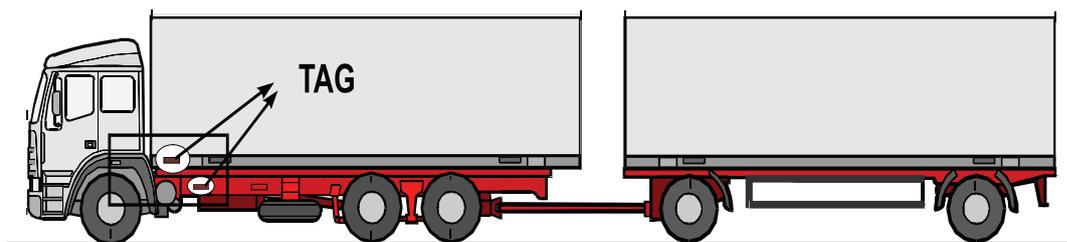


Figure 5 — Mounting window on vehicles (black frame)

Figure 6 shows an example of a multiple trailer configuration with freight containers described in ISO/TS 26683-1 and ISO/TS 26683-2.

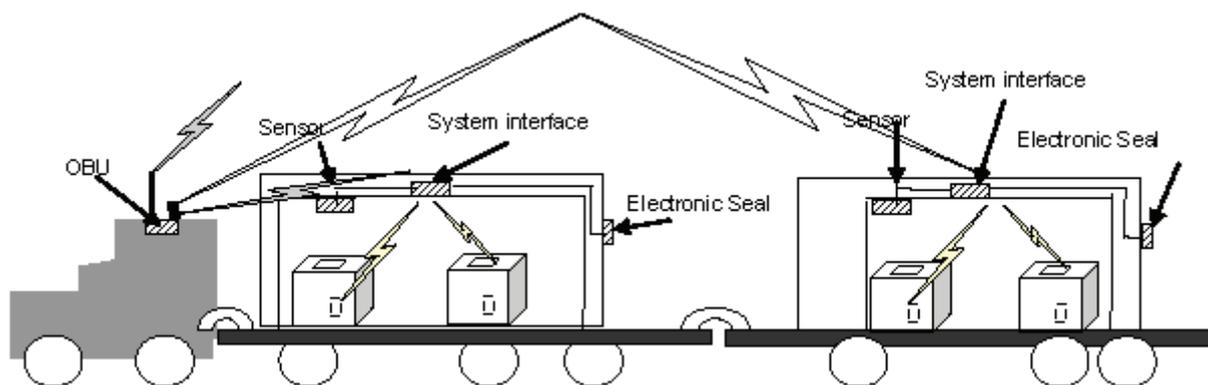


Figure 6 — Multiple Trailer Configuration

## Bibliography

- [1] ENV 12314-1:1996, *Road Transport and Traffic Telematics — Automatic vehicle and equipment identification — Part 1: Reference architectures and terminology*
- [2] ISO 10891, *Freight containers — Coding, identification and marking*
- [3] ISO 17366, *Supply chain applications of RFID — Transport units*
- [4] ISO 17364, *Supply chain applications of RFID — Transport units*
- [5] ISO 17367, *Supply chain applications of RFID — Transport units*
- [6] ISO/IEC 8824-1, *Information technology — Abstract Syntax Notation One (ASN.1): Specification of basic notation — Part 1*
- [7] ISO/IEC 8824-2, *Information technology — Abstract Syntax Notation One (ASN.1): Information object specification — Part 2*
- [8] ISO/IEC 8824-3, *Information technology — Abstract Syntax Notation One (ASN.1): Constraint specification — Part 3*
- [9] ISO/IEC 8824-4, *Information technology — Abstract Syntax Notation One (ASN.1): Parameterization of ASN.1 specifications — Part 4*
- [10] ISO/IEC 8825-1, *Information technology — ASN.1 encoding rules: Specification of Basic Encoding Rules (BER), Canonical Encoding Rules (CER) and Distinguished Encoding Rules (DER) — Part 1*
- [11] ISO/IEC 8825-2, *Information technology — ASN.1 encoding rules: Specification of Packed Encoding Rules (PER) — Part 2*
- [12] ISO/IEC 8825-3, *Information technology — ASN.1 encoding rules: Specification of Encoding Control Notation (ECN) — Part 3*
- [13] ISO/TS 26683-1, *Intelligent transport systems — Freight land conveyance content identification and communication (FLC-CIC) — Part 1: Context, architecture and referenced standards*
- [14] ISO/TS 26683-2, *Intelligent transport systems — Freight land conveyance content identification and communication (FLC-CIC) — Part 2: Application interface profiles*

