

First edition  
2014-06-15

**AMENDMENT 1**  
2016-11-15

---

---

**Road vehicles — Blended fuels  
refuelling connector**

**AMENDMENT 1**

*Véhicules routiers — Pistolet de remplissage pour les mélanges de  
carburants gazeux*

*AMENDEMENT 1*



Reference number  
ISO 16380:2014/Amd.1:2016(E)

© ISO 2016



**COPYRIGHT PROTECTED DOCUMENT**

© ISO 2016, Published in Switzerland

All rights reserved. Unless otherwise specified, no part of this publication may be reproduced or utilized otherwise in any form or by any means, electronic or mechanical, including photocopying, or posting on the internet or an intranet, without prior written permission. Permission can be requested from either ISO at the address below or ISO's member body in the country of the requester.

ISO copyright office  
Ch. de Blandonnet 8 • CP 401  
CH-1214 Vernier, Geneva, Switzerland  
Tel. +41 22 749 01 11  
Fax +41 22 749 09 47  
copyright@iso.org  
www.iso.org

## Foreword

ISO (the International Organization for Standardization) is a worldwide federation of national standards bodies (ISO member bodies). The work of preparing International Standards is normally carried out through ISO technical committees. Each member body interested in a subject for which a technical committee has been established has the right to be represented on that committee. International organizations, governmental and non-governmental, in liaison with ISO, also take part in the work. ISO collaborates closely with the International Electrotechnical Commission (IEC) on all matters of electrotechnical standardization.

The procedures used to develop this document and those intended for its further maintenance are described in the ISO/IEC Directives, Part 1. In particular the different approval criteria needed for the different types of ISO documents should be noted. This document was drafted in accordance with the editorial rules of the ISO/IEC Directives, Part 2 (see [www.iso.org/directives](http://www.iso.org/directives)).

Attention is drawn to the possibility that some of the elements of this document may be the subject of patent rights. ISO shall not be held responsible for identifying any or all such patent rights. Details of any patent rights identified during the development of the document will be in the Introduction and/or on the ISO list of patent declarations received (see [www.iso.org/patents](http://www.iso.org/patents)).

Any trade name used in this document is information given for the convenience of users and does not constitute an endorsement.

For an explanation on the meaning of ISO specific terms and expressions related to conformity assessment, as well as information about ISO's adherence to the World Trade Organization (WTO) principles in the Technical Barriers to Trade (TBT) see the following URL: [www.iso.org/iso/foreword.html](http://www.iso.org/iso/foreword.html).

Amendment 1 to ISO 16380:2014 was prepared by ISO/TC 22, *Road vehicles*, Subcommittee SC 41, *Specific aspects for gaseous fuels*.



# Road vehicles — Blended fuels refuelling connector

## AMENDMENT 1

*Page 5, 4.4*

Delete the following sentence:

**4.4** Compressed blended fuels nozzles and receptacles shall be constructed out of materials which have to be proven for the intent of withstanding a blended fuels mixture at the given pressures, temperatures, and contents of the fuel that can be expected in this system.

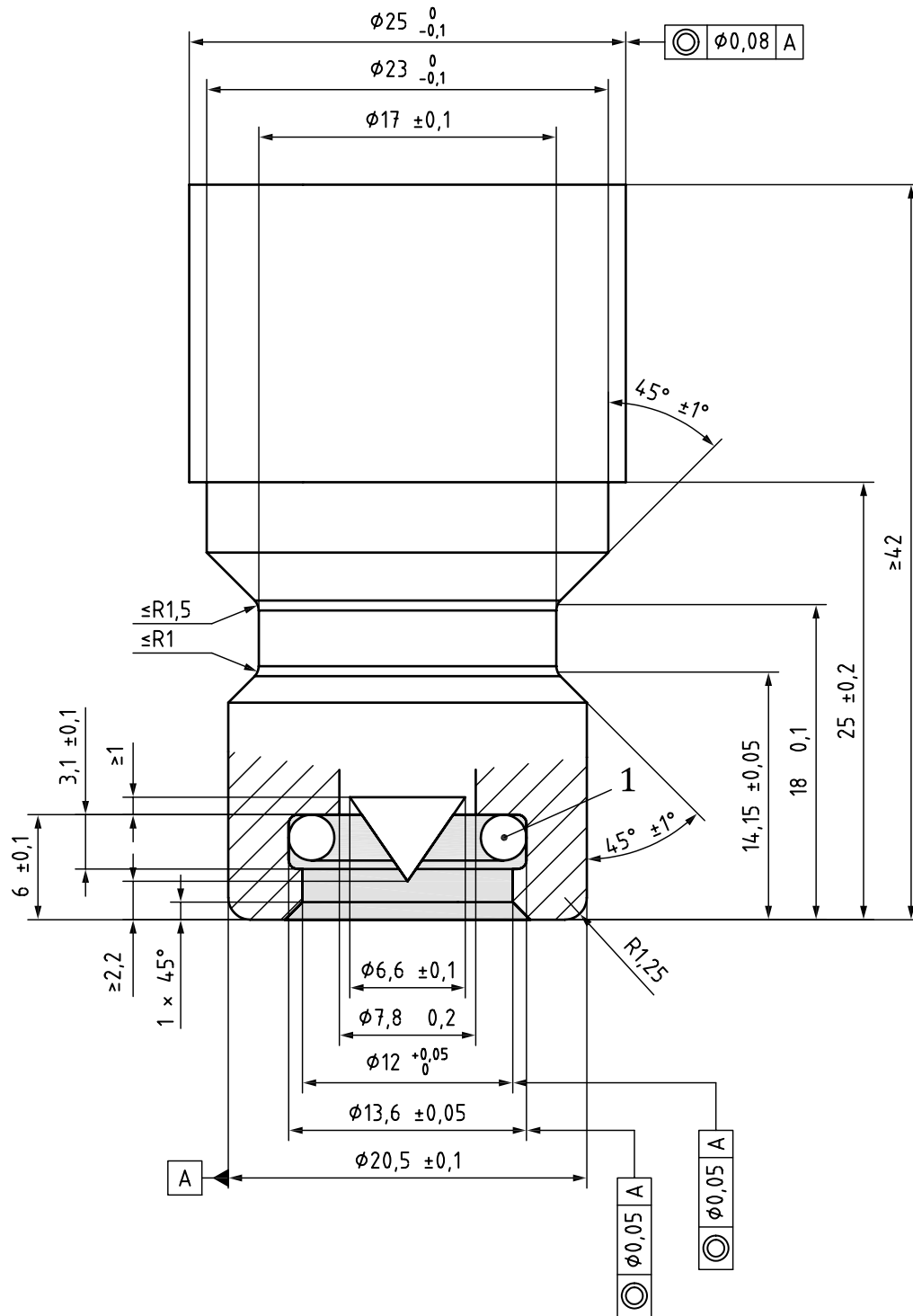
*Page 5, 4.7*

Delete the last sentence:

The dew point of the test gas at the test pressure shall be at the temperature at which there is no icing, or hydrate or liquid formation.

*Page 7, Figures 1 to 3*

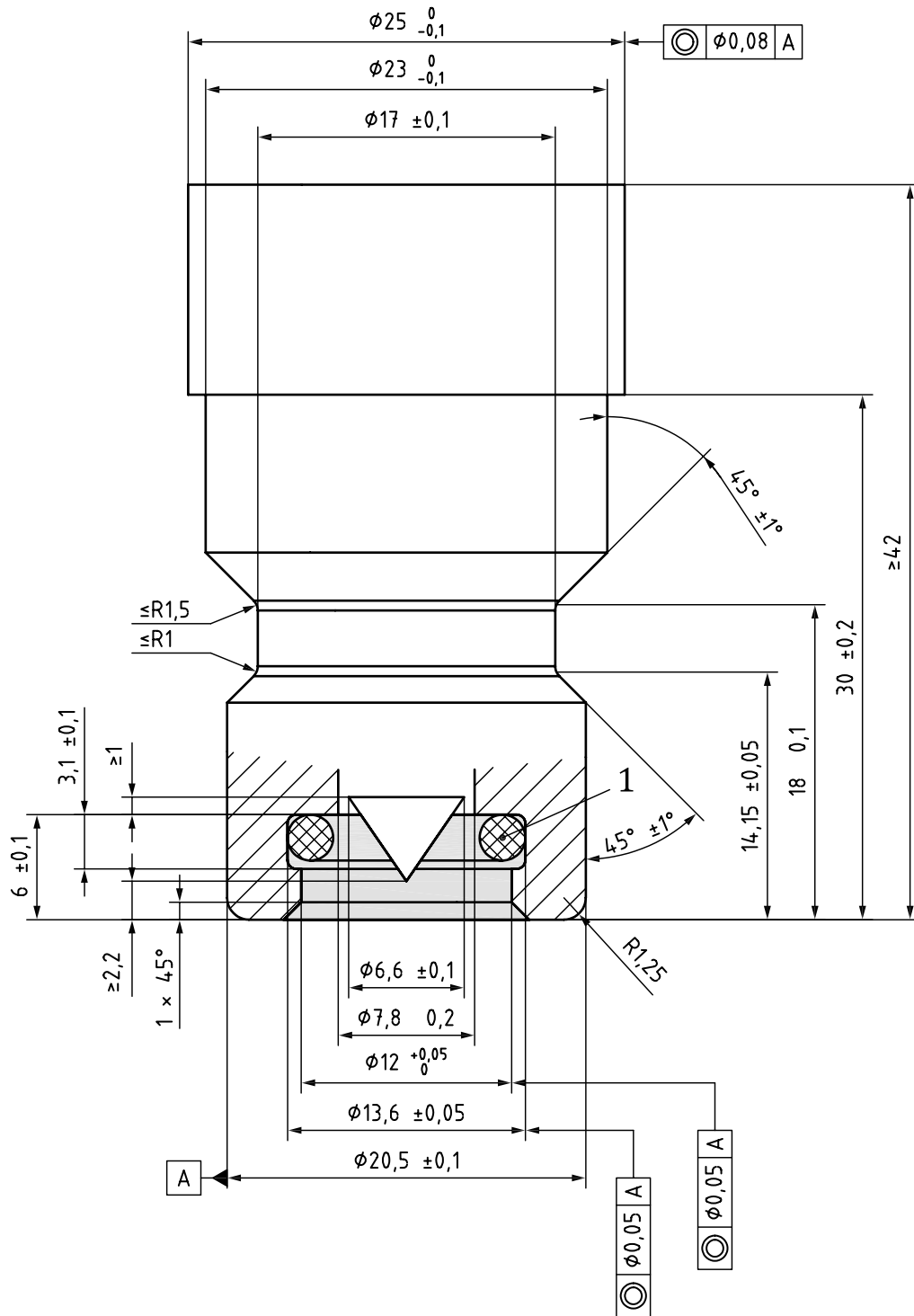
Replace Figures 1 to 3 with the following:



**Key**

- this area shall be kept free of all components
- 1 sealing surface equivalent to No. 110 O-ring of dimensions: 9,19 mm ± 0, 127 mm ID, 2,62 mm ± 0, 076 mm width; sealing surface finish: 0,8 μm to 0, 05 μm; material hardness: 75 Rockwell B (HRB 75) minimum

**Figure 1 — Size 1 — M200 Receptacle**



**Key**

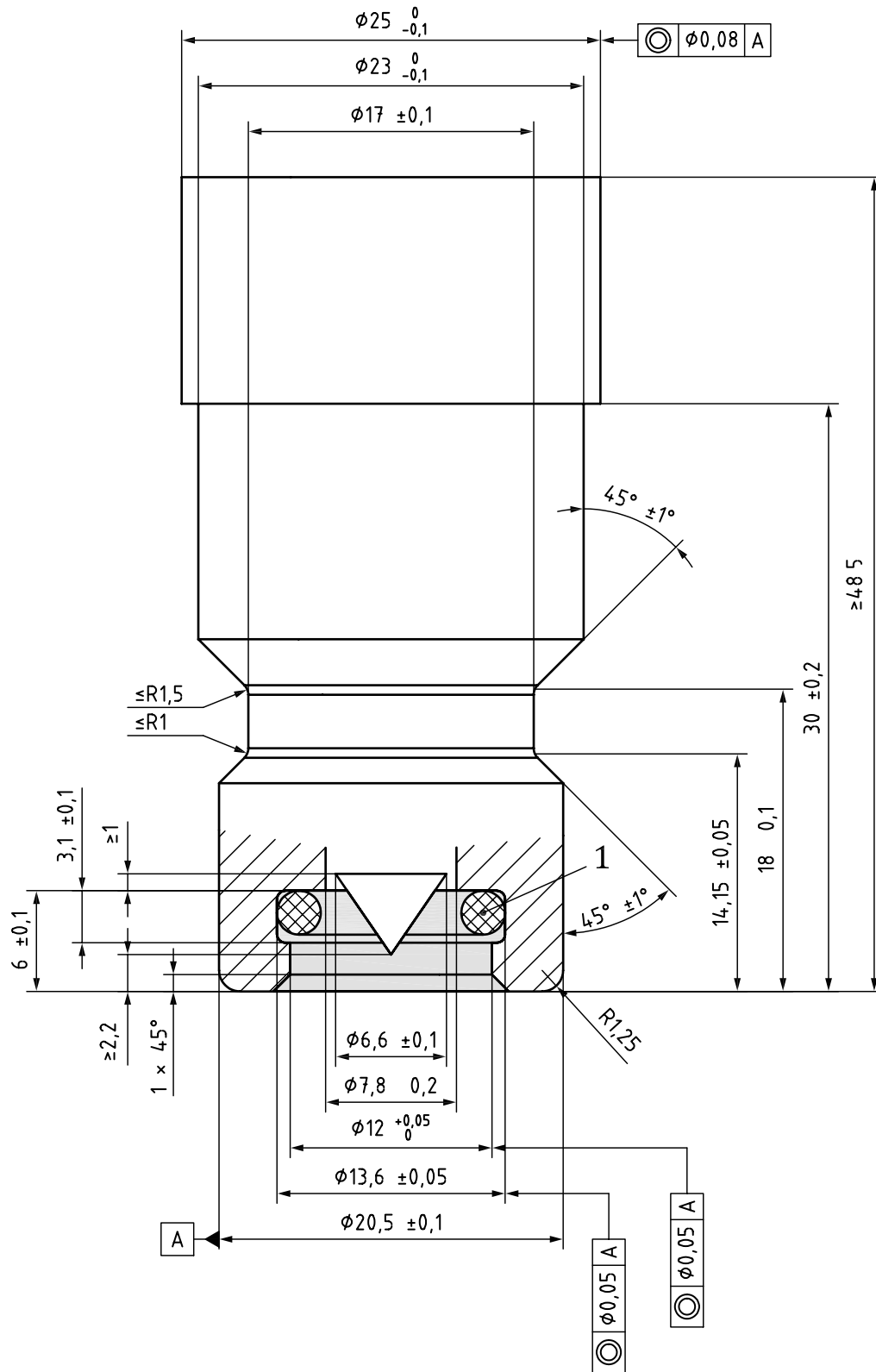


this area shall be kept free of all components

1

sealing surface equivalent to No. 110 O-ring of dimensions: 9,19 mm ± 0, 127 mm ID, 2,62 mm ± 0, 076 mm width; sealing surface finish: 0,8 μm to 0, 05 μm; material hardness: 75 Rockwell B (HRB 75) minimum

**Figure 2 — Size 1 — M250 Receptacle**



**Key**

- this area shall be kept free of all components
- 1 sealing surface equivalent to No. 110 O-ring of dimensions: 9,19 mm ± 0, 127 mm ID, 2,62 mm ± 0, 076 mm width; sealing surface finish: 0,8 μm to 0, 05 μm; material hardness: 75 Rockwell B (HRB 75) minimum

**Figure 3 — Size 1 — M350 Receptacle**



*Page 16, 10.5.2*

Replace the second paragraph

Tests shall be conducted at 0,5 MPa, 30 MPa (M200, N200), 35 MPa (M250, N250), 45 MPa (M350), and then 0,5 MPa again.

with

Tests shall be conducted at 0,5 MPa, 30 MPa (M200, N200), 37,5 MPa (M250, N250) and 52,5 MPa (M350), and then 0,5 MPa again.

