
**Cold-rolled steel sheet products —
Dimensional and shape tolerances**

Tôles en acier laminées à froid — Tolérances sur dimensions et forme



Reference number
ISO 16162:2012(E)

© ISO 2012



COPYRIGHT PROTECTED DOCUMENT

© ISO 2012

All rights reserved. Unless otherwise specified, no part of this publication may be reproduced or utilized in any form or by any means, electronic or mechanical, including photocopying and microfilm, without permission in writing from either ISO at the address below or ISO's member body in the country of the requester.

ISO copyright office
Case postale 56 • CH-1211 Geneva 20
Tel. + 41 22 749 01 11
Fax + 41 22 749 09 47
E-mail copyright@iso.org
Web www.iso.org

Published in Switzerland

Foreword

ISO (the International Organization for Standardization) is a worldwide federation of national standards bodies (ISO member bodies). The work of preparing International Standards is normally carried out through ISO technical committees. Each member body interested in a subject for which a technical committee has been established has the right to be represented on that committee. International organizations, governmental and non-governmental, in liaison with ISO, also take part in the work. ISO collaborates closely with the International Electrotechnical Commission (IEC) on all matters of electrotechnical standardization.

International Standards are drafted in accordance with the rules given in the ISO/IEC Directives, Part 2.

The main task of technical committees is to prepare International Standards. Draft International Standards adopted by the technical committees are circulated to the member bodies for voting. Publication as an International Standard requires approval by at least 75 % of the member bodies casting a vote.

Attention is drawn to the possibility that some of the elements of this document may be the subject of patent rights. ISO shall not be held responsible for identifying any or all such patent rights.

ISO 16162 was prepared by Technical Committee ISO/TC 17, Steel, Subcommittee SC 12, Continuous mill flat rolled products.

This fourth edition cancels and replaces the third edition (ISO 16162:2010), which has been technically revised.

Cold-rolled steel sheet products — Dimensional and shape tolerances

1 Scope

This International Standard applies to dimensional and shape tolerances for all cold-rolled steel sheet products.

Note Cold-rolled steel strip is not covered by this International Standard.

2 Dimensional tolerances

Dimensional tolerances are given in Tables 1 to 8.

Table 1 — Thickness tolerances for coils and cut lengths

Dimensions and tolerances in millimetres

Specified width	Thickness tolerances for specified thicknesses ^{a,b,c,d,e}									
	≤ 0,4	> 0,4 ≤ 0,6	> 0,6 ≤ 0,8	> 0,8 ≤ 1,0	> 1,0 ≤ 1,2	> 1,2 ≤ 1,6	> 1,6 ≤ 2,0	> 2,0 ≤ 2,5	> 2,5 ≤ 3,0	> 3,0 ≤ 4,0
600 ≤ 1 200	±0,03	±0,04	±0,05	±0,06	±0,07	±0,09	±0,11	±0,13	±0,15	±0,16
> 1 200 ≤ 1 500	±0,05	±0,05	±0,05	±0,07	±0,08	±0,10	±0,12	±0,14	±0,16	±0,17
> 1 500 ≤ 1 800	—	±0,06	±0,07	±0,08	±0,10	±0,12	±0,14	±0,16	±0,19	±0,19

When International Standards that reference this standard permit sheet that is slit to less than 600 mm in width to be considered as sheet, tolerances shall be subject to agreement.

^a The thickness tolerances for sheet in coil form are the same as for sheet supplied in cut lengths but, in cases where welds are present, the tolerances shall be double those given over a length of 15 m in the vicinity of the weld.

^b For specified strength levels of $R_e = 360$ MPa and greater, increase the thickness tolerances by 10 %, applying normal rounding-off procedures.

^c Thickness is measured at any point on the sheet not less than 25 mm from a side edge.

^d The specified thickness range captions apply as a specific value.

^e The tolerances provided in this table are based on normal thickness (tolerance over and under). For ordered thicknesses other than nominal, the total tolerance is twice the tabled value and may be distributed as agreed upon between the buyer and seller.

Table 2 — Width tolerances for coils and cut lengths, not resquared

Dimensions and tolerances in millimetres

Specified width	Tolerance
≤ 1 200	+3 0
> 1 200 ≤ 1 500	+5 0
> 1 500	+6 0

NOTE For resquared material, more restrictive tolerances are subject to negotiation.

Table 3 — Length tolerances for cut lengths, not resquared

Dimensions and tolerances in millimetres

Specified length	Tolerance
≤ 2 000	+ 10 0
> 2 000 ≤ 8 000	+ 0,5 % × length 0
> 8 000	+ 40 0
NOTE For resquared material, more restrictive tolerances are subject to negotiation.	

Table 4 — Camber tolerances for coils and cut lengths, not resquared

Dimensions and tolerances in millimetres

Form	Camber tolerance
Coils	20 in any 5 000 length
Cut lengths	0,4 % × length
NOTE Camber is the greatest deviation of a side edge from a straight line, the measurement being taken on the concave side with a straight edge as shown in Figure 1. For resquared material, more restrictive tolerances are subject to negotiation.	

Table 5 — Out-of-square tolerance for cut lengths, not resquared

Dimensions	Out-of-square tolerance
All thicknesses and all sizes	0,7 % × width
NOTE Out-of-square is the greatest deviation of an end edge from a straight line at right angles to a side and touching one corner as shown in Figure 2. It can also be measured as one-half the difference between the diagonals of the cut length sheet.	

Table 6 — Out-of-square tolerances for resquared material

Dimensions and tolerances in millimetres

Specified length	Specified width	Out-of-square tolerance
≤ 3 000	≤ 1 200	+1 0
	> 1 200	+2 0
> 3 000	All widths	+2 0
NOTE Out-of-square is the greatest deviation of an end edge from a straight line at right angles to a side and touching one corner as shown in Figure 2. It can also be measured as one-half the difference between the diagonals of the cut length sheet. When measuring material to resquared tolerances, consideration may have to be given to extreme variations in temperature.		

Table 7 — Standard flatness tolerances for cut lengths

Dimensions and tolerances in millimetres

Specified thickness	Specified width	Flatness tolerance specified strength level of R_e		
		< 220 MPa	$\geq 220 \leq 340$ MPa	> 340 MPa
$\leq 0,7$	$\leq 1\ 200$	12	15	18
	$> 1\ 200 \leq 1\ 500$	15	18	21
	$> 1\ 500$	19	22	27
$> 0,7 \leq 1, 2$	$\leq 1\ 200$	10	13	16
	$> 1\ 200 \leq 1\ 500$	12	15	19
	$> 1\ 500$	17	20	25
$> 1,2$	$\leq 1\ 200$	10	10	16
	$> 1\ 200 \leq 1\ 500$	12	13	19
	$> 1\ 500$	17	19	25

NOTE This table does not apply to full hard sheet (CH550).

Maximum deviation from a flat horizontal surface: with the sheet lying under its own weight, the maximum distance between the lower surface of the sheet and the flat horizontal surface (maximum deviation from flatness), as shown in Figure 3. This table also applies to sheet cut to length from coil by the customer when agreed-upon flattening procedures are performed.

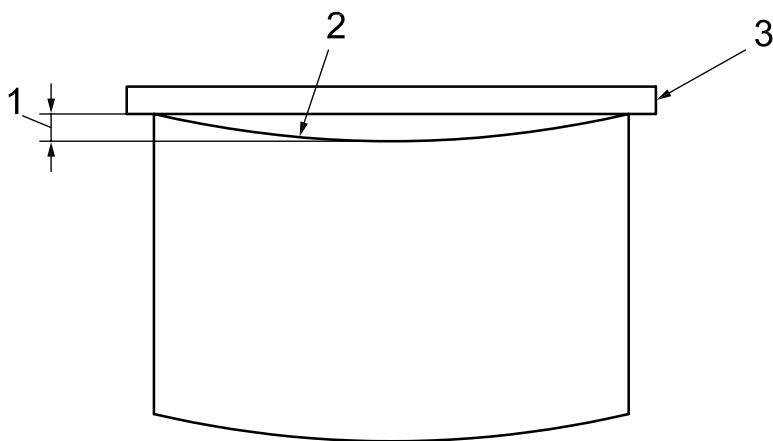
Table 8 — Restricted flatness tolerances for cut lengths

Dimensions and tolerances in millimetres

Specified thickness	Specified width	Flatness tolerance specified strength level of R_e		
		< 220 MPa	$\geq 220 \leq 340$ MPa	> 340 MPa
$\leq 0,7$	$\leq 1\ 200$	5	8	—
	$> 1\ 200 \leq 1\ 500$	6	9	—
	$> 1\ 500$	8	12	—
$> 0,7 \leq 1, 2$	$\leq 1\ 200$	4	6	—
	$> 1\ 200 \leq 1\ 500$	5	8	—
	$> 1\ 500$	7	10	—
$> 1,2$	$\leq 1\ 200$	4	5	—
	$> 1\ 200 \leq 1\ 500$	5	6	—
	$> 1\ 500$	6	9	—

NOTE This table does not apply to full hard sheet (CH550).

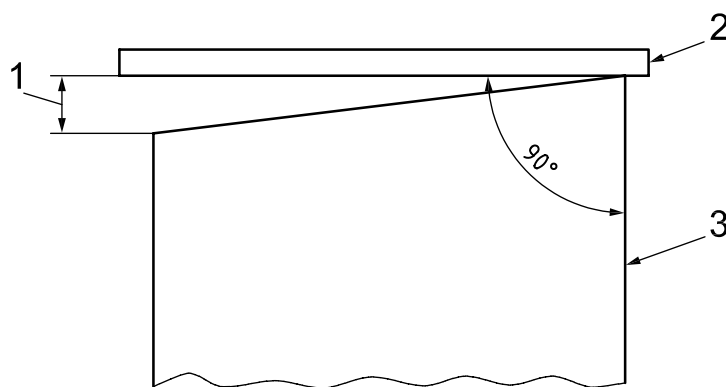
Maximum deviation from a flat horizontal surface: with the sheet lying under its own weight, the maximum distance between the lower surface of the sheet and the flat horizontal surface (maximum deviation from flatness), as shown in Figure 3. This table also applies to sheet cut to length from coil by the customer when agreed-upon flattening procedures are performed.



Key

- 1 edge camber
- 2 side edge (concave side)
- 3 straight edge

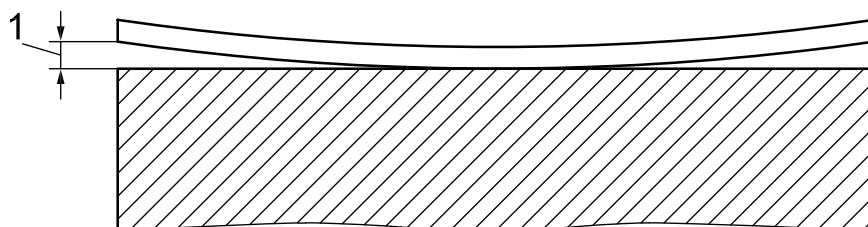
Figure 1 — Measurement of camber



Key

- 1 out-of-square
- 2 straight edge
- 3 side edge

Figure 2 — Measurement of out-of-square



Key

- 1 maximum deviation from flatness

Figure 3 — Measurement of flatness

www.iso.org

ICS 77.140.50

Price based on 4 pages