



**INTERNATIONAL STANDARD ISO 15878:2008**  
**TECHNICAL CORRIGENDUM 1**

Published 2008-07-15

INTERNATIONAL ORGANIZATION FOR STANDARDIZATION • МЕЖДУНАРОДНАЯ ОРГАНИЗАЦИЯ ПО СТАНДАРТИЗАЦИИ • ORGANISATION INTERNATIONALE DE NORMALISATION

**Road construction and maintenance equipment — Asphalt pavers — Terminology and commercial specifications**

**TECHNICAL CORRIGENDUM 1**

*Équipement pour la construction et l'entretien des routes — Asphalteuse — Terminologie et spécifications commerciales*

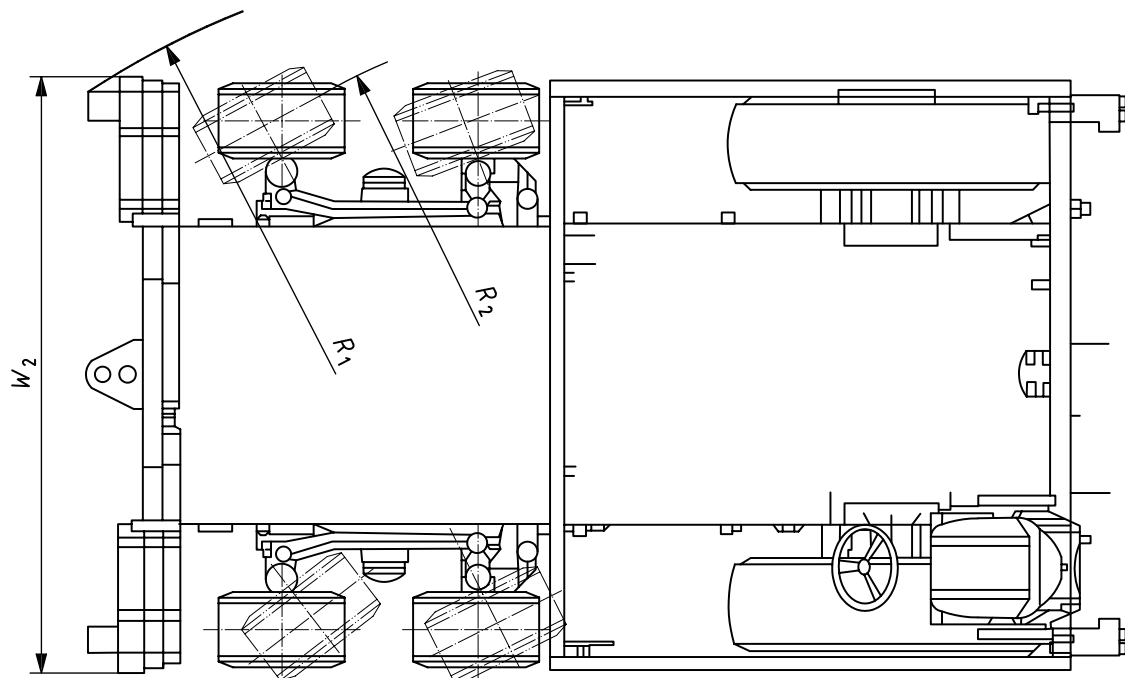
*RECTIFICATIF TECHNIQUE 1*

Technical Corrigendum 1 to ISO 15878:2008 was prepared by Technical Committee ISO/TC 195, *Building construction machinery and equipment*.

---

*Page 27, Figure A.20*

The position of  $W_2$  and its definition in the Key have been corrected. See Figure A.20 on page 2.



**Key**

$W_2$  operating width — minimum

$R_1$  machine clearance circle

$R_2$  turning radius

NOTE Dimensions presented are only for illustration of parameters given in 6.2 and 6.3 and do not show the full dimensional characteristics of the paver.

**Figure A.20 — Wheeled asphalt paver — Top view**