
**Binders for paints and varnishes —
Determination of turbidity**

Liants pour peintures et vernis — Détermination de la turbidité



Reference number
ISO 15715:2003(E)

© ISO 2003

PDF disclaimer

This PDF file may contain embedded typefaces. In accordance with Adobe's licensing policy, this file may be printed or viewed but shall not be edited unless the typefaces which are embedded are licensed to and installed on the computer performing the editing. In downloading this file, parties accept therein the responsibility of not infringing Adobe's licensing policy. The ISO Central Secretariat accepts no liability in this area.

Adobe is a trademark of Adobe Systems Incorporated.

Details of the software products used to create this PDF file can be found in the General Info relative to the file; the PDF-creation parameters were optimized for printing. Every care has been taken to ensure that the file is suitable for use by ISO member bodies. In the unlikely event that a problem relating to it is found, please inform the Central Secretariat at the address given below.

© ISO 2003

All rights reserved. Unless otherwise specified, no part of this publication may be reproduced or utilized in any form or by any means, electronic or mechanical, including photocopying and microfilm, without permission in writing from either ISO at the address below or ISO's member body in the country of the requester.

ISO copyright office
Case postale 56 • CH-1211 Geneva 20
Tel. + 41 22 749 01 11
Fax + 41 22 749 09 47
E-mail copyright@iso.org
Web www.iso.org

Published in Switzerland

Contents

Page

Foreword	iv
1 Scope	1
2 Terms and definitions	1
3 Principle	1
4 Apparatus	2
5 Calibration	2
6 Procedure	3
7 Expression of results	3
8 Precision	3
9 Test report	3
Annex A (normative) Preparation of formazine standards	4
Annex B (informative) Use of additional measurement angles	5
Bibliography	6

Foreword

ISO (the International Organization for Standardization) is a worldwide federation of national standards bodies (ISO member bodies). The work of preparing International Standards is normally carried out through ISO technical committees. Each member body interested in a subject for which a technical committee has been established has the right to be represented on that committee. International organizations, governmental and non-governmental, in liaison with ISO, also take part in the work. ISO collaborates closely with the International Electrotechnical Commission (IEC) on all matters of electrotechnical standardization.

International Standards are drafted in accordance with the rules given in the ISO/IEC Directives, Part 2.

The main task of technical committees is to prepare International Standards. Draft International Standards adopted by the technical committees are circulated to the member bodies for voting. Publication as an International Standard requires approval by at least 75 % of the member bodies casting a vote.

Attention is drawn to the possibility that some of the elements of this document may be the subject of patent rights. ISO shall not be held responsible for identifying any or all such patent rights.

ISO 15715 was prepared by Technical Committee ISO/TC 35, *Paints and varnishes*, Subcommittee SC 10, *Test methods for binders for paints and varnishes*.

Binders for paints and varnishes — Determination of turbidity

1 Scope

The measurement of the turbidity of liquids can be carried out visually or by instrument, but visual methods can be subjective. This method measures instrumentally the scattering of light by the insoluble matter in a liquid and therefore gives an objective determination of turbidity.

Turbidity in liquids is caused by the presence of undissolved matter (i.e. non-settling flocculation, gels or other suspended matter such as particles or droplets). In the case of finely dispersed undissolved matter, the turbidity may be determined by measuring the intensity of the light which is scattered by the particles when a beam of light is passed through the liquid.

This International Standard specifies an instrumental method for determining the turbidity of clear liquids. It is applicable to resins and resin solutions, solvents, clear coating materials, monomers and any other liquids where clarity is specified.

2 Terms and definitions

For the purposes of this document, the following terms and definitions apply.

2.1

turbidity

reduction in the transparency of a liquid caused by the presence of undissolved matter

3 Principle

3.1 Principle of the method

A liquid sample is placed in an optical cell or glass jar and the turbidity measured on a ratio-recording turbidimeter. The instrument is calibrated in formazine turbidity units (FTUs). The turbidity of the sample can thus be read directly in FTUs. The readings are therefore insensitive to colour.

3.2 General principles of turbidity measurement

A liquid sample coloured by dissolved substances is a homogeneous system that only attenuates radiation passing through the sample. A sample containing undissolved substances not only attenuates the incident radiation but, in addition, the insoluble particles diffuse the radiation, unequally, in all directions (see Figure 1).

By determining the ratio between the light levels at 0° and 90° , a measure of the degree of scattering is obtained. A factor F relates this ratio to formazine concentration units.

The degree of scattering measured depends on the measurement angle, the particle size, the concentration of the particles, the wavelength of the light source and the complex refractive index of the particles relative to the liquid.

NOTE Instrument-to-instrument comparisons are only possible if the apparatus is used in accordance with this International Standard and the same principles of measurement are applied.

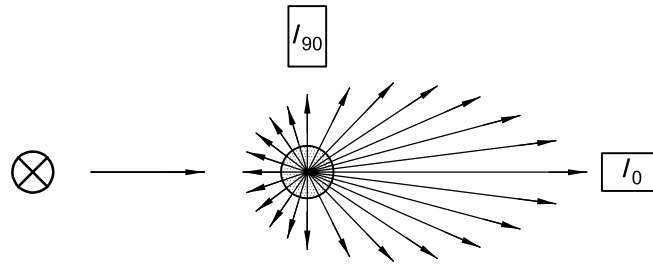


Figure 1 — Principle of measurement

4 Apparatus

4.1 Turbidimeter

Any instrument may be used provided that it complies with the following requirements:

- the wavelength λ of the incident light shall be (860 ± 30) nm;
- the spectral bandwidth $\Delta\lambda$ of the incident light shall be less than or equal to 60 nm;
- the incident light beam shall not be divergent, and any convergence shall not exceed $1,5^\circ$;
- the angle between the axis of the incident beam and that at which the scattered radiation is measured shall be $(90 \pm 1)^\circ$ (see Annex B);
- the angle subtended by the aperture in the test sample shall be less than 20° .

4.2 Measurement cells

The turbidity of the sample shall be measured with the test sample either in optical cells meeting the specifications of the instrument manufacturer or in disposable glass jars.

If disposable glass jars are used, the following additional requirements apply:

- the jar shall be cylindrical;
- the diameter of the jar shall be between 5 cm and 11 cm;
- the instrument shall have provisions for automatically centering and rotating the jar during measurement;
- the part of the sample chamber not occupied by the jar shall be kept filled with tap water flowing continuously through the chamber, to eliminate refraction effects caused by inhomogeneous sample jars.

5 Calibration

Calibrate the apparatus, operating it in accordance with the manufacturer's instructions, using formazine standard matching solutions. For the preparation of the formazine standards, see Annex A. Plot a graph comprising at least five points in each measurement range (for example for the range 0,1 FTU to 5,0 FTU, make measurements at 0,5 FTU, 1,0 FTU, 2,0 FTU, 3,0 FTU and 4,0 FTU).

Repeat the calibration at frequent intervals.

NOTE A turbidity corresponding to 0 FTU cannot be measured because of scattering of radiation by the molecules themselves.

6 Procedure

Carefully fill a clean, dry optical cell or glass jar to within a centimetre of the top, pouring the sample down the side of the cell or jar to minimize bubble formation. Cap the cell or jar tightly. If bubbles are observed, allow them to dissipate before making the measurement. Bubbles will produce erroneously high results. In most cases, bubbles may be removed rapidly by using an ultrasonic bath, centrifuging, warming or placing under a slight vacuum. Verify that any such treatment of the test sample does not alter its turbidity.

Wipe off any dirt or drips, with the aid of a suitable solvent, from the outside of the cell or jar before making the measurement.

Condition the test sample to room temperature.

Place the cell or jar in the instrument, start the measurement and record the reading. Use the lowest range setting possible.

7 Expression of results

Report the result in formazine turbidity units (FTUs), as follows:

- a) if the turbidity is less than 1 FTU, to the nearest 0,01 FTU;
- b) if the turbidity is greater than or equal to 1 FTU but less than 10 FTU, to the nearest 0,1 FTU;
- c) if the turbidity is greater than or equal to 10 FTU but less than 100 FTU, to the nearest 1 FTU;
- d) if the turbidity is greater than or equal to 100 FTU, to the nearest 10 FTU.

8 Precision

No data available yet.

9 Test report

The test report shall contain at least the following information:

- a) a reference to this International Standard (ISO 15715);
- b) all details necessary to identify the product tested;
- c) the result of the test, as indicated in Clause 7;
- d) details of any deviation from the test method specified, as well as details of any circumstances which might have influenced the result;
- e) details of any items which were agreed between the interested parties;
- f) the date of the test.

Annex A (normative)

Preparation of formazine standards

A.1 Purification of water

Soak a membrane filter of pore size 0,1 µm (of the type used for bacteriological studies) for 1 h in 100 ml of distilled water. Filter 250 ml of distilled water through it and discard the water. Then pass 500 ml of distilled water twice through the membrane and reserve this water for the preparation of standard solutions.

A.2 Preparation of stock solutions of formazine (C₂H₄N₂)

Formazine is not available commercially and shall therefore be prepared as follows:

Dissolve 10,0 g of hexamethylenetetramine (C₆H₁₂N₄) in purified water (see Clause A.1) in a 100 ml graduated flask and make up to the mark (solution A).

Dissolve 1,0 g of hydrazine sulfate (N₂H₆SO₄) in purified water in a 100 ml graduated flask and make up to the mark (solution B).

WARNING — Hydrazine sulfate is poisonous and may be carcinogenic.

Mix 5 ml of solution A with 5 ml of solution B in a 100 ml graduated flask. Leave for 24 h at (25 ± 3) °C. Then make up to the mark with purified water.

The turbidity of this stock solution in formazine turbidity units is 400 FTU.

The solution is stable for about 4 weeks if stored at a temperature of (25 ± 3) °C in the dark.

A.3 Preparation of standard matching solutions

Dilute the stock solution (see Clause A.2) with purified water using pipettes and graduated flasks to obtain standard matching solutions of turbidities in the range of interest (see Table B.1 for examples). These solutions are only stable for 1 week.

Table A.1 — Examples of dilution of stock solution

Turbidity FTU	Volume of stock solution in 1 l of standard matching solution ml
400	1 000
100	250
20	50
2	5

Annex B (informative)

Use of additional measurement angles

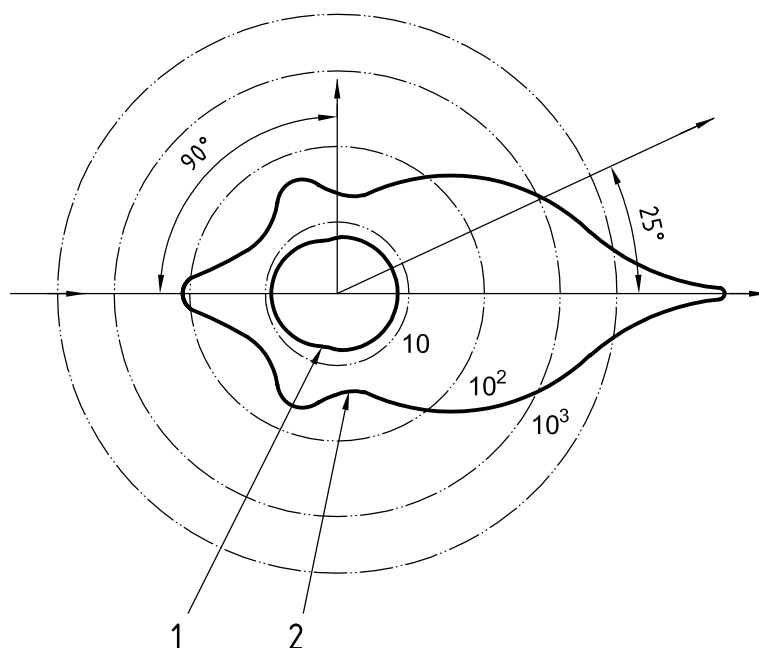
Comparison of results obtained at different measurement angles can give additional information on the type of turbidity.

Figure B.1 illustrates this effect: The two curves represent the relative intensity of scattered light for two different particle sizes. The smaller inner curve is for a particle size of $0,05\ \mu\text{m}$, while the larger outer curve is for particles having a diameter of $5\ \mu\text{m}$. The intensity is given by the distance from the centre to the curve.

For the small particles, the intensities at 90° and, in this example, 25° are close to each other. For the large particles, the 25° value is much higher than the 90° value.

This information can be useful in deciding whether existing turbidity can be removed. If the turbidity values at different angles indicate large particles, filtration, for example, might be successful.

The second angle is usually chosen between 0° and 30° .



Key

- 1 curve for $0,05\ \mu\text{m}$ particles
- 2 curve for $5\ \mu\text{m}$ particles

Figure B.1 — Response curves for different particle sizes

Bibliography

- [1] ISO 7027:1999, *Water quality — Determination of turbidity*

1

1

ICS 87.060.20

Price based on 6 pages