
**Vitreous and porcelain enamels —
Determination of scratch resistance of
enamel finishes**

*Émaux vitrifiés — Détermination de la résistance à la rayure des surfaces
émaillées*



PDF disclaimer

This PDF file may contain embedded typefaces. In accordance with Adobe's licensing policy, this file may be printed or viewed but shall not be edited unless the typefaces which are embedded are licensed to and installed on the computer performing the editing. In downloading this file, parties accept therein the responsibility of not infringing Adobe's licensing policy. The ISO Central Secretariat accepts no liability in this area.

Adobe is a trademark of Adobe Systems Incorporated.

Details of the software products used to create this PDF file can be found in the General Info relative to the file; the PDF-creation parameters were optimized for printing. Every care has been taken to ensure that the file is suitable for use by ISO member bodies. In the unlikely event that a problem relating to it is found, please inform the Central Secretariat at the address given below.

Copyright notice

This ISO document is a Draft International Standard and is copyright-protected by ISO. Except as permitted under the applicable laws of the user's country, neither this ISO draft nor any extract from it may be reproduced, stored in a retrieval system or transmitted in any form or by any means, electronic, photocopying, recording or otherwise, without prior written permission being secured.

Requests for permission to reproduce should be addressed to either ISO at the address below or ISO's member body in the country of the requester.

ISO copyright office
Case postale 56 • CH-1211 Geneva 20
Tel. + 41 22 749 01 11
Fax + 41 22 734 10 79
E-mail copyright@iso.ch
Web www.iso.ch

Reproduction may be subject to royalty payments or a licensing agreement.

Violators may be prosecuted.

Foreword

ISO (the International Organization for Standardization) is a worldwide federation of national standards bodies (ISO member bodies). The work of preparing International Standards is normally carried out through ISO technical committees. Each member body interested in a subject for which a technical committee has been established has the right to be represented on that committee. International organizations, governmental and non-governmental, in liaison with ISO, also take part in the work. ISO collaborates closely with the International Electrotechnical Commission (IEC) on all matters of electrotechnical standardization.

International Standards are drafted in accordance with the rules given in the ISO/IEC Directives, Part 3.

Draft International Standards adopted by the technical committees are circulated to the member bodies for voting. Publication as an International Standard requires approval by at least 75 % of the member bodies casting a vote.

Attention is drawn to the possibility that some of the elements of this International Standard may be the subject of patent rights. ISO shall not be held responsible for identifying any or all such patent rights.

International Standard ISO 15695 was prepared by Technical Committee ISO/TC 107, *Metallic and other inorganic coatings*.

Vitreous and porcelain enamels — Determination of scratch resistance of enamel finishes

1 Scope

This International Standard specifies a test method for the determination of the scratch resistance of enamel finishes. The method is based on ISO 1518:1992, *Paints and varnishes — Scratch test*, but is performed at significantly higher forces.

The value of the scratch resistance that is obtained is a measure of the durability of porcelain enamel finishes when scratched by sharp objects under high forces. The value should not be confused with scratch hardness, a quantity that is measured by the procedure described in EN 101:1991, *Ceramic tiles — Determination of scratch hardness of surface according to Mohs*.

2 Normative references

The following normative documents contain provisions which, through reference in this text, constitute provisions of this International Standard. For dated references, subsequent amendments to, or revisions of, any of these publications do not apply. However, parties to agreements based on this International Standard are encouraged to investigate the possibility of applying the most recent editions of the normative documents indicated below. For undated references, the latest edition of the normative document referred to applies. Members of ISO and IEC maintain registers of currently valid International Standards.

ISO 2723:1995, *Vitreous and porcelain enamels for sheet steel — Production of specimens for testing*.

ISO 2724:1973, *Vitreous and porcelain enamels for cast iron — Production of specimens for testing*.

ISO 7724-3:—¹⁾, *Paints and varnishes — Colorimetry — Part 3: Calculation of colour differences by CIELAB*.

ISO 13804:1999, *Vitreous and porcelain enamels for aluminium — Production of specimens for testing*.

3 Terms and definitions

For the purposes of this International Standard, the following term and definition apply.

3.1

scratch resistance

highest force, in newtons, at which the scratch retains the colour of the felt pen for each individual colour (red, green, blue and black) over less than 50 % of the tested length

4 Principle

By means of an apparatus with a diamond indenter, a test specimen is submitted to a stepwise insertion force. The scratches obtained are subsequently coloured using felt pens with erasable ink.

1) To be published. (Revision of ISO 7724-3:1984)

The erasability of these colourations is a measure of the resistance to scratching of the enamelled product.

The trace that may be left by the diamond after testing does not constitute a failure for the purpose of this assessment.

5 Apparatus

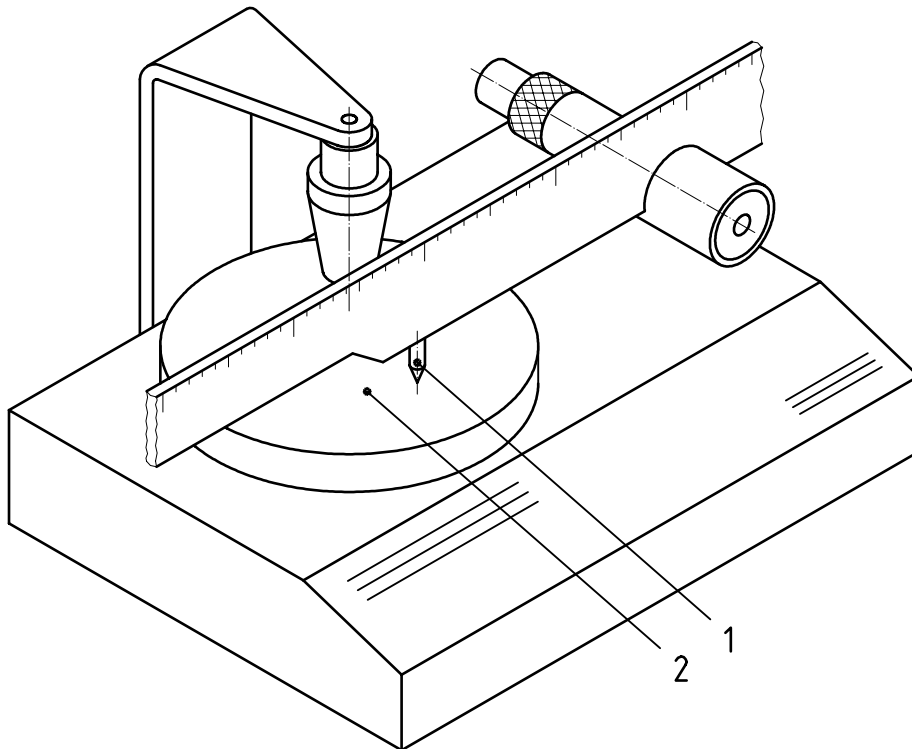
5.1 Turntable and indenter

The apparatus shown in Figure 1 consists of a turntable with a radius of at least 50 mm and a clamping device. When started, the turntable shall be able to make only one complete revolution in 10 s to 13 s, and then stop automatically.

The equipment comprises a diamond indenter with a cone angle of $90^\circ \pm 1^\circ$ and a curvature of radius of $90 \mu\text{m} \pm 3 \mu\text{m}$ held in a holder of Fe 360 (see Figure 2). The crystallographic main axis $\langle 001 \rangle$ of the diamond and the longitudinal axis of the holder shall be parallel to each other. The diamond indenter shall be able to provide forces from 0 N to 10 N with a precision of 0,1 N, by means of an arm with suitable weights.

5.2 Felt pens

Red, green, blue and black felt pens of identical manufacture are required. After each colour has been applied to the test specimen, allowed to dry and wiped with a cotton cloth, the surface discolouration shall be $dE^* = 10$ maximum, in accordance with ISO 7724-3.

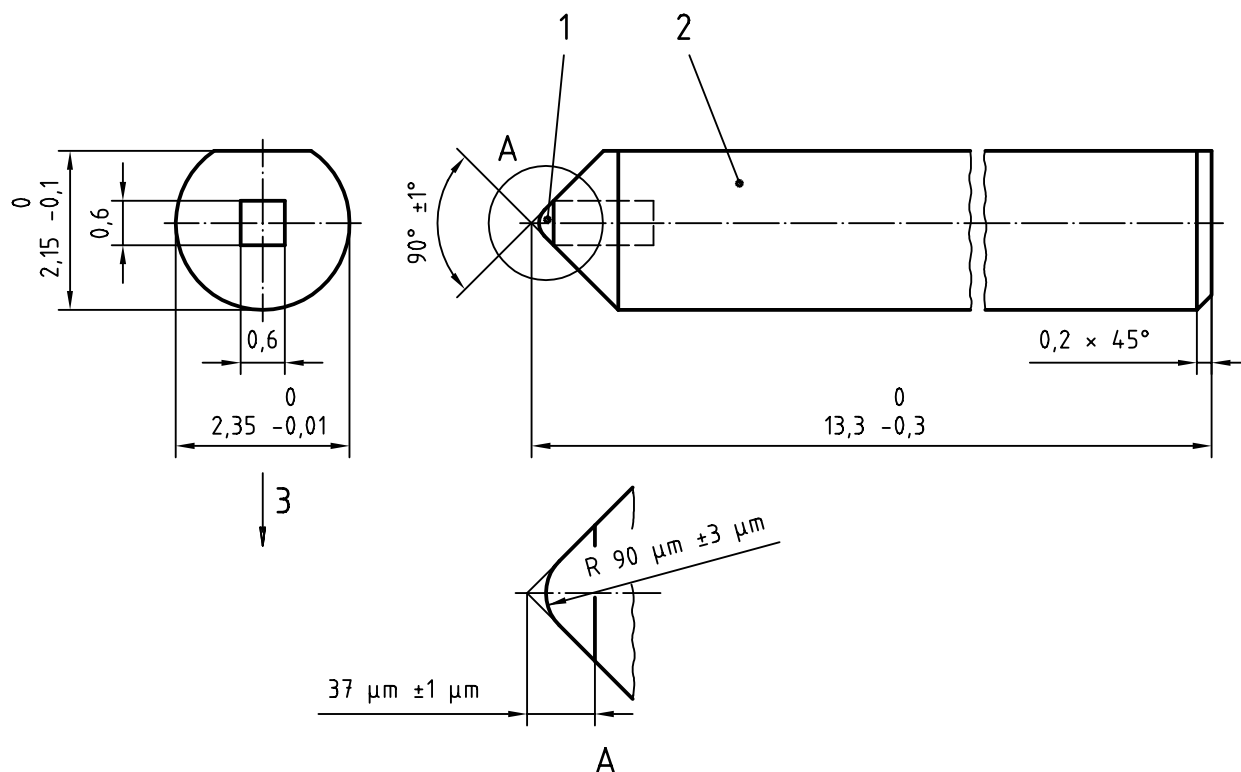


Key

- 1 Indenter
- 2 Turntable

Figure 1 — Apparatus

Dimensions in millimetres unless stated otherwise

**Key**

- 1 Diamond
- 2 Holder
- 3 Relative direction of the movement of the diamond with respect to the test specimen

Figure 2 — Indenter**6 Preparation of test specimens**

Test specimens shall be prepared in accordance with ISO 2723 for steel, ISO 2724 for cast iron or ISO 13804 for aluminium. The coating thickness of the enamel shall be at least 50 μm . The test specimen shall be cleaned with alcohol and dried with a cotton cloth.

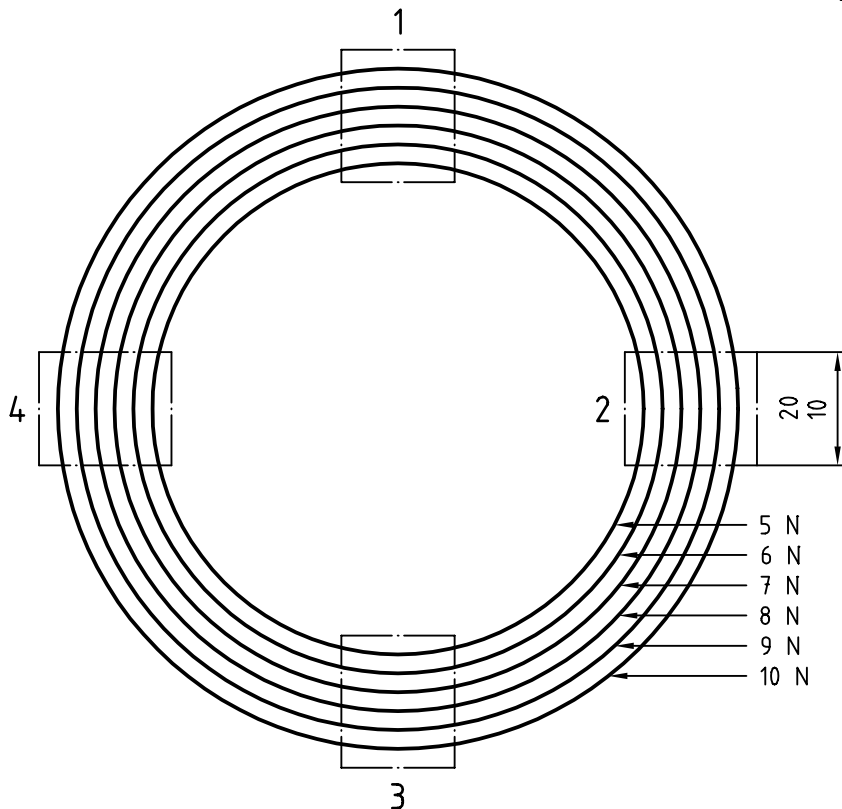
7 Procedure

The test procedure consists of the following steps.

- a) Attach the test specimen to the turntable.
- b) Adjust the radius of the circle so that all circles can be made between 25 mm and 45 mm.
- c) Adjust the apparatus so that the diamond indenter forms a 90° angle with the test specimen.
- d) Set the initial force to 10 N.
- e) Create a circular scratch by turning the test specimen 360° at a force of 10 N.

- f) Adjust the force and the radius. Repeat the procedure with the next lower force using increments of 1 N. The greatest force shall always be used for the outer circle. Adjust the radius by an increment of 1 mm or 2 mm for each value of force between 0 N and 10 N (see Figure 3).
- g) Colour the circles with felt pens (5.2) as shown in Figure 3.
- h) Wait at least 1 min for the ink to dry.
- i) Wipe each coloured area with a separate dry clean cotton cloth.

Dimensions in millimetres



Key

- 1 Black
- 2 Red
- 3 Blue
- 4 Green

Figure 3 — Example of a typical scratch and colouring pattern

8 Determination of the scratch resistance

Inspect the test specimen visually at a distance of 25 mm under typical laboratory illumination conditions (500 lux to 800 lux). Record the highest force at which the scratch retains the colour of the felt pen for less than 50 % of the tested length. This force value represents the measure of the scratch resistance of the enamel coating.

If there is any doubt about the estimated 50 % value, the determination shall be repeated by another person.

9 Test report

The test report shall include the following information:

- a) reference to this International Standard, i.e. ISO 15695;
- b) a description of the test specimen including the material of which the test specimen is made;
- c) the scratch resistance expressed in Newtons;
- d) the date the test was performed.

