

First edition
2002-05-01

AMENDMENT 1
2013-01-15

**Road construction and maintenance
equipment — Road milling
machinery — Terminology and
commercial specifications**

AMENDMENT 1

*Équipement pour la construction et l'entretien des routes —
Fraiseuses — Terminologie et spécifications commerciales*

AMENDEMENT 1



Reference number
ISO 15645:2002/Amd.1:2013(E)

© ISO 2013



COPYRIGHT PROTECTED DOCUMENT

© ISO 2013

All rights reserved. Unless otherwise specified, no part of this publication may be reproduced or utilized in any form or by any means, electronic or mechanical, including photocopying and microfilm, without permission in writing from either ISO at the address below or ISO's member body in the country of the requester.

ISO copyright office
Case postale 56 • CH-1211 Geneva 20
Tel. + 41 22 749 01 11
Fax + 41 22 749 09 47
E-mail copyright@iso.org
Web www.iso.org

Published in Switzerland

Foreword

ISO (the International Organization for Standardization) is a worldwide federation of national standards bodies (ISO member bodies). The work of preparing International Standards is normally carried out through ISO technical committees. Each member body interested in a subject for which a technical committee has been established has the right to be represented on that committee. International organizations, governmental and non-governmental, in liaison with ISO, also take part in the work. ISO collaborates closely with the International Electrotechnical Commission (IEC) on all matters of electrotechnical standardization.

International Standards are drafted in accordance with the rules given in the ISO/IEC Directives, Part 2.

The main task of technical committees is to prepare International Standards. Draft International Standards adopted by the technical committees are circulated to the member bodies for voting. Publication as an International Standard requires approval by at least 75 % of the member bodies casting a vote.

Attention is drawn to the possibility that some of the elements of this document may be the subject of patent rights. ISO shall not be held responsible for identifying any or all such patent rights.

Amendment 1 to ISO 15645:2002 was prepared by Technical Committee ISO/TC 195, *Building construction machinery and equipment*.

Road construction and maintenance equipment — Road milling machinery — Terminology and commercial specifications

AMENDMENT 1

Page 1, term 2.1

In the definition, replace the word “mill” by “remove” and add the phrase “by a milling action” at the definition’s end.

Page 1, term 2.5

In the term itself, replace the phrase “make a cordon” by the word “windrow”.

In the Note attached to the definition, replace “cordon” by “windrow”.

Page 2, 3.1, General

In the fourth list item, replace “cordon” by “windrow”.

Page 2, 3.2.1, Traction and transport system

Replace the reference to “Figures 1 and 2” by “Figures A.1 and A.2”.

Page 2, 3.2.2, Cutting and milling system

Replace the reference to “Figure 3” by “Figure A.3”.

Page 2, 3.2.4, Layout of tools

Following the word “rotor”, insert the phrase “is application-specific and”.

Replace the reference to “Figure 2” by “Figure A.2”.

Page 2, 3.2.6, System to remove or cordon aggregate materials

In the title of the subclause, replace “cordon” by “windrow”.

Page 3, Clause 4, Commercial specifications

In 4.1.1, replace the reference in the first line to “Figure 1” by “Figure A.1”.

In 4.1.3, add the cross-reference “(see 2.6 for conditions)” at the end of the second list item.

In 4.1.4, in the second list item, insert the word “rated” immediately before, and the reference “(see ISO 14396)” immediately after, “power (kW)”.

In 4.1.5, in the first list item, replace “axles” by “tracks or wheels”.

In 4.1.6, transfer the word “or” from the end of first list item to the end of the second list item; add a third list item, “both”.

4.1.7, delete the word “or” from the first list item.

Page 4, 4.2, Cutting and milling system characteristics

Replace the reference in the first line to “Figures 2 and 3” by “Figures A.2 and A.3”.

Page 5, 4.3, Drum sprinkler device

In the first list item, replace “(m³/min)” by “(l/min)”.

Page 5, 4.4, System to remove or cordon aggregate materials

In the title of the subclause, replace “cordon” by “windrow”.

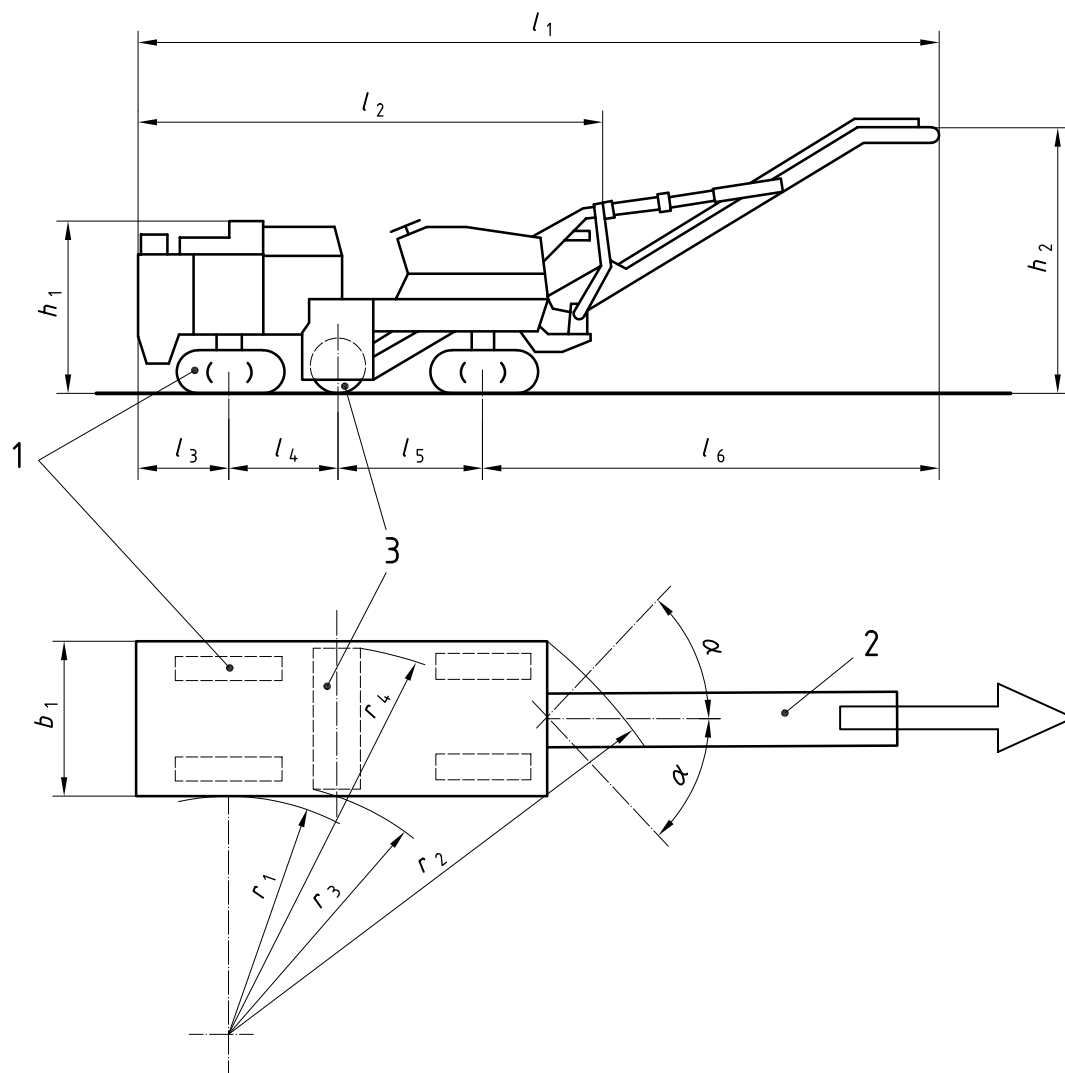
Page 6, Annex A

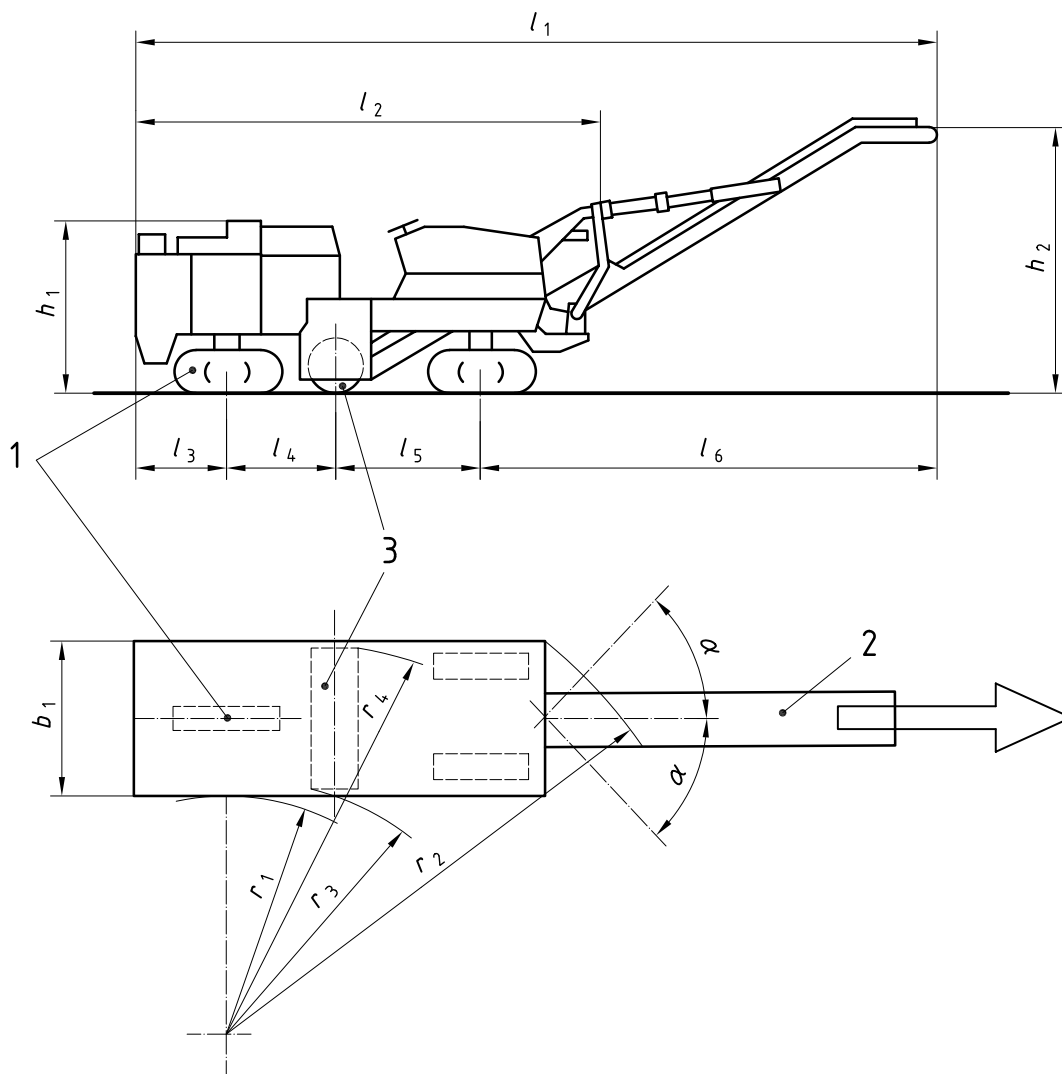
Insert an entirely new annex following 4.4, transferring Figures 1 to 3 to it and modifying them, as follows:

— Replace Figure 1 by Figure A.1, as shown below.

Annex A (informative)

Examples of road milling machine designs and their assemblies





Key

- | | |
|--|---|
| 1 tracks | h_1 overall height (without removal system) |
| 2 removal system | h_2 maximum loading height |
| 3 rotor | b_1 overall width (without removal system) |
| l_1 overall length (with removal system) | r_1 inside turning radius |
| l_2 overall length (without removal system) | r_2 outside turning radius |
| l_3 rear overhang | r_3 inside slewing radius of rotor |
| l_4 distance between rotor axis and rear wheels/tracks axis | r_4 outside slewing radius of rotor |
| l_5 distance between rotor axis and front wheels/tracks axis | α slewing angle of removal system |
| l_6 maximum front overhang (with removal system) | |

Figure A.1 — Dimensional characteristics of road milling machines (3 or 4 tracks) with removal system

— Renumber Figure 2 as Figure A.2.

— Renumber Figure 3 as Figure A.3 and change its title to

Figure A.3 — Example of rotor chamber and drum sprinkler device

© ISO 2013. All rights reserved.

ICS 93.080.10

Price based on 4 pages