
**Specification and qualification of
welding procedures for metallic
materials — Welding procedure test —**

**Part 1:
Arc and gas welding of steels and arc
welding of nickel and nickel alloys**

*Descriptif et qualification d'un mode opératoire de soudage pour
les matériaux métalliques — Épreuve de qualification d'un mode
opératoire de soudage —*

*Partie 1: Soudage à l'arc et aux gaz des aciers et soudage à l'arc du
nickel et des alliages de nickel*





COPYRIGHT PROTECTED DOCUMENT

© ISO 2017, Published in Switzerland

All rights reserved. Unless otherwise specified, no part of this publication may be reproduced or utilized otherwise in any form or by any means, electronic or mechanical, including photocopying, or posting on the internet or an intranet, without prior written permission. Permission can be requested from either ISO at the address below or ISO's member body in the country of the requester.

ISO copyright office
Ch. de Blandonnet 8 • CP 401
CH-1214 Vernier, Geneva, Switzerland
Tel. +41 22 749 01 11
Fax +41 22 749 09 47
copyright@iso.org
www.iso.org

Contents

	Page
Foreword	v
Introduction	vi
1 Scope	1
2 Normative references	2
3 Terms and definitions	3
4 Preliminary welding procedure specification (pWPS)	3
5 Welding procedure test	3
6 Test piece	3
6.1 General.....	3
6.2 Shape and dimensions of test pieces.....	4
6.2.1 General.....	4
6.2.2 Butt joint in plate with full penetration.....	4
6.2.3 Butt joint in pipe with full penetration.....	4
6.2.4 T-joint.....	4
6.2.5 Branch connection.....	4
6.3 Welding of test pieces.....	4
7 Examination and testing	8
7.1 Type and extent of testing.....	8
7.2 Location and taking of test specimens.....	9
7.3 Non-destructive testing.....	13
7.4 Destructive testing.....	13
7.4.1 Transverse tensile test.....	13
7.4.2 Bend test.....	13
7.4.3 Macroscopic examination.....	13
7.4.4 Impact testing.....	14
7.4.5 Hardness testing.....	14
7.5 Acceptance levels.....	15
7.6 Re-testing.....	16
8 Range of qualification	16
8.1 General.....	16
8.2 Related to the manufacturer.....	16
8.3 Related to the parent material.....	17
8.3.1 Parent material grouping.....	17
8.3.2 Material thickness.....	19
8.3.3 Diameter of pipes and branch connections.....	21
8.3.4 Angle of branch connection.....	21
8.4 Common to all welding procedures.....	22
8.4.1 Welding processes.....	22
8.4.2 Welding positions.....	22
8.4.3 Type of joint/weld.....	23
8.4.4 Filler material, manufacturer/trade name, designation.....	24
8.4.5 Filler material size.....	24
8.4.6 Type of current.....	25
8.4.7 Heat input (arc energy).....	25
8.4.8 Preheat temperature.....	25
8.4.9 Interpass temperature.....	25
8.4.10 Post-heating for hydrogen release.....	26
8.4.11 Heat-treatment.....	26
8.5 Specific to processes.....	26
8.5.1 Submerged arc welding (process 12).....	26
8.5.2 Gas-shielded metal arc welding (process 13).....	27

ISO 15614-1:2017(E)

8.5.3	Gas-shielded arc welding with non-consumable electrode (process 14).....	29
8.5.4	Plasma arc welding (process 15).....	29
8.5.5	Oxy-acetylene welding (process 311).....	29
8.5.6	Backing gas.....	29
9	Welding procedure qualification record (WPQR).....	29
Annex A	(normative) Filler material, designation.....	31
Annex B	(informative) Welding procedure qualification record form (WPQR).....	33
Bibliography	38

Foreword

ISO (the International Organization for Standardization) is a worldwide federation of national standards bodies (ISO member bodies). The work of preparing International Standards is normally carried out through ISO technical committees. Each member body interested in a subject for which a technical committee has been established has the right to be represented on that committee. International organizations, governmental and non-governmental, in liaison with ISO, also take part in the work. ISO collaborates closely with the International Electrotechnical Commission (IEC) on all matters of electrotechnical standardization.

The procedures used to develop this document and those intended for its further maintenance are described in the ISO/IEC Directives, Part 1. In particular the different approval criteria needed for the different types of ISO documents should be noted. This document was drafted in accordance with the editorial rules of the ISO/IEC Directives, Part 2 (see www.iso.org/directives).

Attention is drawn to the possibility that some of the elements of this document may be the subject of patent rights. ISO shall not be held responsible for identifying any or all such patent rights. Details of any patent rights identified during the development of the document will be in the Introduction and/or on the ISO list of patent declarations received (see www.iso.org/patents).

Any trade name used in this document is information given for the convenience of users and does not constitute an endorsement.

For an explanation on the voluntary nature of standards, the meaning of ISO specific terms and expressions related to conformity assessment, as well as information about ISO's adherence to the World Trade Organization (WTO) principles in the Technical Barriers to Trade (TBT) see the following URL: www.iso.org/iso/foreword.html.

This document was prepared by Technical Committee ISO/TC 44, *Welding and allied processes*, Subcommittee SC 10, *Quality management in the field of welding*.

This second edition cancels and replaces the first edition (ISO 15614-1:2004), which has been technically revised. It also incorporates the Amendments ISO 15614-1:2004/Amd 1:2008 and ISO 15614-1:2004/Amd 2:2012 and the Technical Corrigendum ISO 15614-1:2004/Cor. 1:2005.

A list of all parts in the ISO 15614 series can be found on the ISO website.

Requests for official interpretations of any aspect of this document should be directed to the Secretariat of ISO/TC 44/SC 10 via your national standards body. A complete listing of these bodies can be found at www.iso.org.

Introduction

All new welding procedure tests are to be carried out in accordance with this document from the date of its issue. However, this document does not invalidate previous welding procedure tests made to former national standards or specifications or previous issues of this document.

Two levels of welding procedure tests are given in order to permit application to a wide range of welded fabrication. They are designated by levels 1 and 2.

Level 1 is based on requirements of ASME Section IX and level 2 is based on the previous issues of this document.

Specification and qualification of welding procedures for metallic materials — Welding procedure test —

Part 1:

Arc and gas welding of steels and arc welding of nickel and nickel alloys

1 Scope

This document specifies how a preliminary welding procedure specification is qualified by welding procedure tests.

This document applies to production welding, repair welding and build-up welding.

This document defines the conditions for the execution of welding procedure tests and the range of qualification for welding procedures for all practical welding operations within the qualification of this document.

The primary purpose of welding procedure qualification is to demonstrate that the joining process proposed for construction is capable of producing joints having the required mechanical properties for the intended application.

Two levels of welding procedure tests are given in order to permit application to a wide range of welded fabrication. They are designated by levels 1 and 2. In level 2, the extent of testing is greater and the ranges of qualification are more restrictive than in level 1.

Procedure tests carried out to level 2 automatically qualify for level 1 requirements, but not vice-versa.

When no level is specified in a contract or application standard, all the requirements of level 2 apply.

This document applies to the arc and gas welding of steels in all product forms and the arc welding of nickel and nickel alloys in all product forms.

Arc and gas welding are covered by the following processes in accordance with ISO 4063.

111 — manual metal arc welding (metal-arc welding with covered electrode);

114 — self-shielded tubular-cored arc welding;

12 — submerged arc welding;

13 — gas-shielded metal arc welding;

14 — gas-shielded arc welding with non-consumable electrode;

15 — plasma arc welding;

311 — oxy-acetylene welding.

The principles of this document may be applied to other fusion welding processes.

NOTE A former process number does not require a new qualification test according to this document.

Specification and qualification of welding procedures that were made in accordance with previous editions of this document may be used for any application for which the current edition is specified. In this case, the ranges of qualification of previous editions remain applicable.

It is also possible to create a new WPQR (welding procedure qualification record) range of qualification according to this edition based on the existing qualified WPQR, provided the technical intent of the testing requirements of this document has been satisfied. Where additional tests have to be carried out to make the qualification technically equivalent, it is only necessary to perform the additional test on a test piece.

2 Normative references

The following documents are referred to in the text in such a way that some or all of their content constitutes requirements of this document. For dated references, only the edition cited applies. For undated references, the latest edition of the referenced document (including any amendments) applies.

ISO 148-1, *Metallic materials — Charpy pendulum impact test — Part 1: Test method*

ISO 3452-1, *Non-destructive testing — Penetrant testing — Part 1: General principles*

ISO 4063, *Welding and allied processes — Nomenclature of processes and reference numbers*

ISO 4136, *Destructive tests on welds in metallic materials — Transverse tensile test*

ISO 5173, *Destructive tests on welds in metallic materials — Bend tests*

ISO 5817, *Welding — Fusion-welded joints in steel, nickel, titanium and their alloys (beam welding excluded) — Quality levels for imperfections*

ISO 6520-1, *Welding and allied processes — Classification of geometric imperfections in metallic materials — Part 1: Fusion welding*

ISO 6947, *Welding and allied processes — Welding positions*

ISO 9015-1, *Destructive tests on welds in metallic materials — Hardness testing — Part 1: Hardness test on arc welded joints*

ISO 9016, *Destructive tests on welds in metallic materials — Impact tests — Test specimen location, notch orientation and examination*

ISO 14175, *Welding consumables — Gases and gas mixtures for fusion welding and allied processes*

ISO 15609-1, *Specification and qualification of welding procedures for metallic materials — Welding procedure specification — Part 1: Arc welding*

ISO 15609-2, *Specification and qualification of welding procedures for metallic materials — Welding procedure specification — Part 2: Gas welding*

ISO 15613, *Specification and qualification of welding procedures for metallic materials — Qualification based on pre-production welding test*

ISO 17636-1, *Non-destructive testing of welds — Radiographic testing — Part 1: X- and gamma-ray techniques with film*

ISO 17636-2, *Non-destructive testing of welds — Radiographic testing — Part 2: X- and gamma-ray techniques with digital detectors*

ISO 17637, *Non-destructive testing of welds — Visual testing of fusion-welded joints*

ISO 17638, *Non-destructive testing of welds — Magnetic particle testing*

ISO 17639, *Destructive tests on welds in metallic materials — Macroscopic and microscopic examination of welds*

ISO 17640, *Non-destructive testing of welds — Ultrasonic testing — Techniques, testing levels, and assessment*

ISO/TR 15608, *Welding — Guidelines for a metallic materials grouping system*

ISO/TR 17671-1, *Welding — Recommendations for welding of metallic materials — Part 1: General guidance for arc welding*

ISO/TR 18491, *Welding and allied processes — Guidelines for measurement of welding energies*

ISO/TR 20172, *Welding — Grouping systems for materials — European materials*

ISO/TR 20173, *Welding — Grouping systems for materials — American materials*

ISO/TR 20174, *Welding — Grouping systems for materials — Japanese materials*

ISO/TR 25901 (all parts), *Welding and allied processes — Vocabulary*

3 Terms and definitions

For the purposes of this document, the terms and definitions given in ISO/TR 25901 (all parts) and the following apply.

ISO and IEC maintain terminological databases for use in standardization at the following addresses:

- ISO Online browsing platform: available at <http://www.iso.org/obp>
- IEC Electropedia: available at <http://www.electropedia.org/>

3.1

run out length

length of a run produced by the melting of a covered electrode

Note 1 to entry: See ISO/TR 17671-2.

3.2

build-up welding

addition of weld metal to obtain or restore required dimensions

4 Preliminary welding procedure specification (pWPS)

The preliminary welding procedure specification shall be prepared in accordance with ISO 15609-1 or ISO 15609-2.

5 Welding procedure test

The welding and testing of test pieces shall be in accordance with [Clauses 6](#) and [7](#).

The welder or welding operator who undertakes the welding procedure test satisfactorily in accordance with this document is qualified according to the relevant national/international standard being applied, provided that the relevant testing requirements of that standard are met.

6 Test piece

6.1 General

The welded joint to which the welding procedure will relate in production shall be represented by making a standard test piece or pieces, as specified in [6.2](#).

If required by the application standard, the direction of plate rolling shall be marked on the test piece when impact tests are required to be taken in the Heat Affected Zone (HAZ) and shall be mentioned in the impact test report.

For level 1: Any butt joint test qualifies all joint configurations.

For level 2: Where the joint requirements and/or dimension of the test piece are not covered by the standard test pieces as shown in this document, the use of ISO 15613 shall be required.

6.2 Shape and dimensions of test pieces

6.2.1 General

The length or number of test pieces shall be sufficient to allow all required tests to be carried out.

Additional test pieces, or longer test pieces than the minimum size, may be prepared in order to allow for extra testing and/or for re-testing specimens (see 7.6).

For all test pieces except branch connections (see Figure 4) and T-joints (T-butt weld or fillet weld; see Figure 3), the material thickness, t , and the diameter, D , shall be the same for both plates and pipes on the required length of the test piece to be welded.

The thickness and/or pipe outside diameter of the test pieces shall be selected in accordance with 8.3.2 to 8.3.3.

6.2.2 Butt joint in plate with full penetration

The test piece shall be prepared in accordance with Figure 1.

6.2.3 Butt joint in pipe with full penetration

The test piece shall be prepared in accordance with Figure 2.

NOTE The word “pipe”, alone or in combination, is used to mean “pipe”, “tube” or “hollow section” except square or rectangular hollow section.

6.2.4 T-joint

The test piece shall be prepared in accordance with Figure 3. This test piece applies to fully penetrated butt welds or fillet welds.

6.2.5 Branch connection

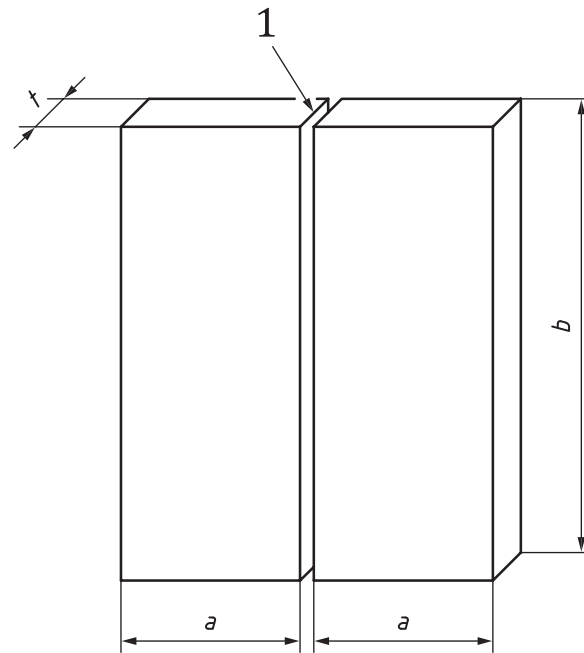
For level 1: No specific test piece required.

For level 2: The test piece shall be prepared in accordance with Figure 4. The angle α is the minimum one used in production. This test piece applies to fully penetrated joints (set-on, set-in or set-through joint) and for fillet welds.

6.3 Welding of test pieces

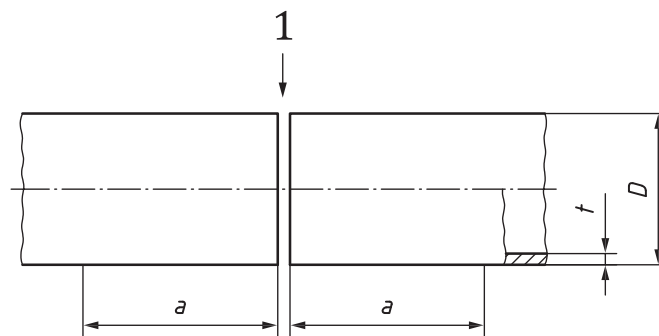
Preparation and welding of test pieces shall be carried out in accordance with the pWPS, which they shall represent. Welding positions and limitations for the angle of slope and rotation of the test piece shall be in accordance with ISO 6947. If tack welds are to be fused into the final joint, they shall be included in the test piece.

The welding and the testing of the test piece shall be verified by the examiner or examining body.

**Key**

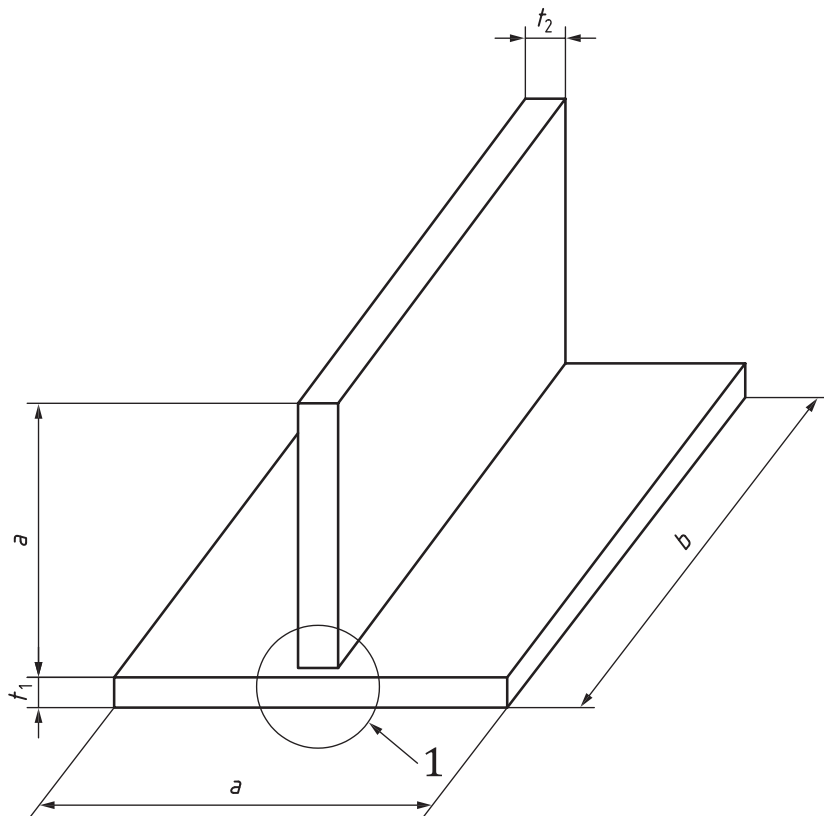
- 1 joint preparation and fit-up as detailed in the preliminary welding procedure specification (pWPS)
- a minimum dimension 150 mm
- b minimum dimension 350 mm
- t material thickness

Figure 1 — Test piece for a butt joint in plate with full penetration

**Key**

- 1 joint preparation and fit-up as detailed in the preliminary welding procedure specification (pWPS)
- a minimum dimension 150 mm
- D outside pipe diameter
- t material thickness

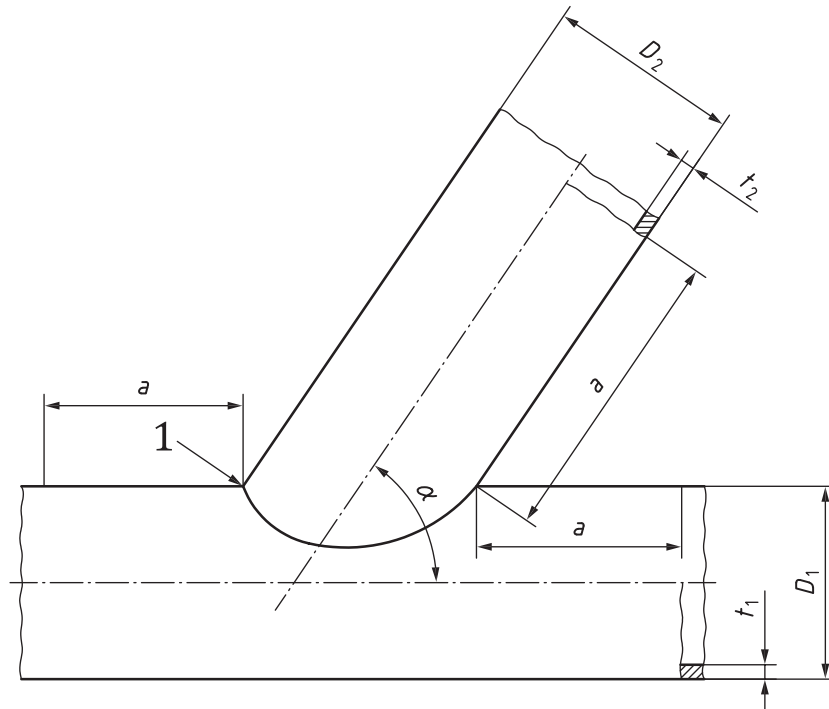
Figure 2 — Test piece for a butt joint in pipe with full penetration



Key

- 1 joint preparation and fit-up as detailed in the preliminary welding procedure specification (pWPS)
- a* minimum dimension 150 mm
- b* minimum dimension 350 mm
- t*₁, *t*₂ material thickness

Figure 3 — Test piece for a T-joint

**Key**

- 1 joint preparation and fit-up as detailed in the preliminary welding procedure specification (pWPS)
- α branch angle
- a minimum dimension 150 mm
- D_1 outside diameter of main pipe
- D_2 outside diameter of branch pipe
- t_1 main pipe material thickness
- t_2 branch pipe material thickness

Figure 4 — Test piece for a branch connection

7 Examination and testing

7.1 Type and extent of testing

For level 1: Type and the extent of testing shall be in accordance with the requirements of [Table 1](#). If impact testing, hardness testing or non-destructive testing (NDT) is required by an application standard or specification, they shall be carried out and assessed in accordance with the requirements of level 2, unless otherwise specified by the application standard or specification.

For level 2: Type and the extent of testing shall be in accordance with the requirements of [Table 2](#).

An application standard may specify additional tests, e.g.:

- longitudinal weld tensile test;
- all weld metal bend test;
- corrosion test;
- chemical analysis;
- microscopic examination;
- delta ferrite examination;
- hardness test;
- cruciform test;
- impact test;
- non-destructive testing (NDT).

NOTE Specific service, material or manufacturing conditions may require more comprehensive testing than is specified by this document in order to gain more information and to avoid repeating the welding procedure test at a later date just to obtain additional test data.

Table 1 — For level 1: Examination and testing of the test pieces

Test piece	Type of test	Extent of testing	Footnote
Butt joint with full penetration — Figure 1 and Figure 2	Visual testing	100 %	a
	Transverse tensile test	2 specimens	
	Transverse bend test	4 specimens	
Fillet welds — Figure 3	Visual testing	100 %	b
	Macroscopic examination	2 specimens	
<p>^a For bend tests, see 7.4.2.</p> <p>^b Where mechanical properties are required by an application standard, it shall be tested accordingly. If an additional test piece is needed, the dimensions should be sufficient enough to allow testing of the mechanical properties. For this additional test piece, the welding parameter range, parent material group, filler metal and heat treatment are required to be the same.</p>			

Table 2 — For level 2: Examination and testing of the test pieces

Test piece	Type of test	Extent of testing	Footnote
Butt joint with full penetration — Figure 1 and Figure 2	Visual testing	100 %	—
	Radiographic or ultrasonic testing	100 %	a
	Surface crack detection	100 %	b
	Transverse tensile test	2 specimens	—
	Transverse bend test	4 specimens	c
	Impact test	2 sets	d
	Hardness test	required	e
	Macroscopic examination	1 specimen	—
T- joint with full penetration — Figure 3 Branch connection with full penetration — Figure 4 f	Visual testing	100 %	b a, g e
	Surface crack detection	100 %	
	Ultrasonic or radiographic testing	100 %	
	Hardness test	required	
	Macroscopic examination	2 specimens	
Fillet weld — Figure 3 and Figure 4 f	Visual testing	100 %	b e
	Surface crack detection	100 %	
	Hardness test	required	
	Macroscopic examination	2 specimens	
<p>a Ultrasonic testing shall not be used for $t < 8$ mm and not for material groups 8, 10, 41 to 48.</p> <p>b Accessible weld surfaces: penetrant testing or magnetic particle testing. For non-magnetic materials, penetrant testing.</p> <p>c For bend tests, see 7.4.2.</p> <p>d One set in the weld metal and one set in the HAZ for materials ≥ 12 mm thick and having specified impact properties required by technical delivery conditions and/or if appropriate according to the service conditions. Application standards may require impact testing below 12 mm thick. The testing temperature shall be chosen by the manufacturer with regard to the application or application standards. For additional tests, see 7.4.4.</p> <p>e Not required for parent metals: sub-group 1.1, groups 8 and 41 to 48 and dissimilar joints between these groups, except for dissimilar joints between sub-group 1.1 and group 8.</p> <p>f Where mechanical properties are required by an application standard, it shall be tested accordingly. If an additional test piece is needed, the dimensions should be sufficient enough to allow testing of the mechanical properties. For this additional test piece, the welding parameter range, parent material group, filler metal and heat treatment are required to be the same.</p> <p>g For outside diameter ≤ 50 mm, no ultrasonic testing is required, but radiographic testing is required provided that the joint configuration will provide valid results. For outside diameter > 50 mm and where it is not technically possible to carry out ultrasonic testing, a radiographic testing shall be carried out provided that the joint configuration will provide valid results.</p>			

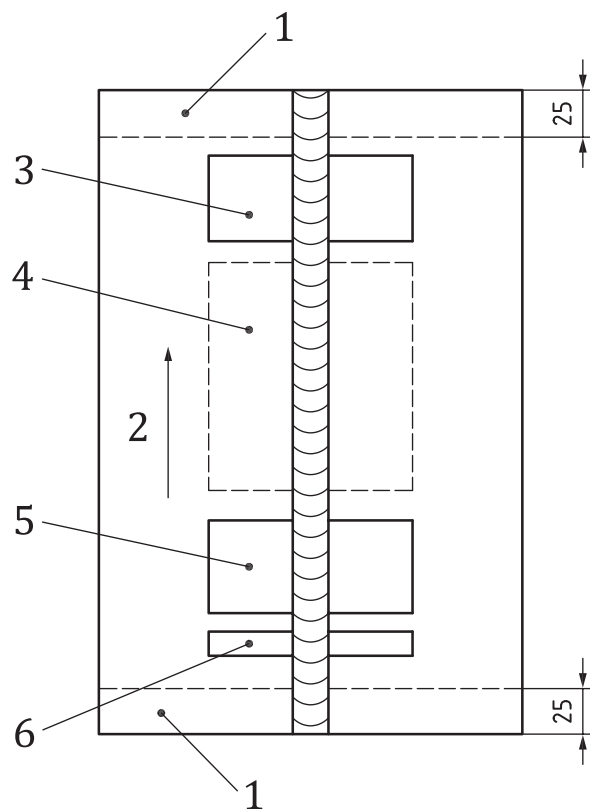
7.2 Location and taking of test specimens

Test specimens shall be taken in accordance with [Figures 5, 6, 7](#) and [8](#).

For location of hardness and impact specimens, [8.4.2](#) shall be considered.

It is acceptable to take the test specimens from locations avoiding areas which have imperfections within the acceptance limits for the NDT method(s) used.

Dimensions in millimetres

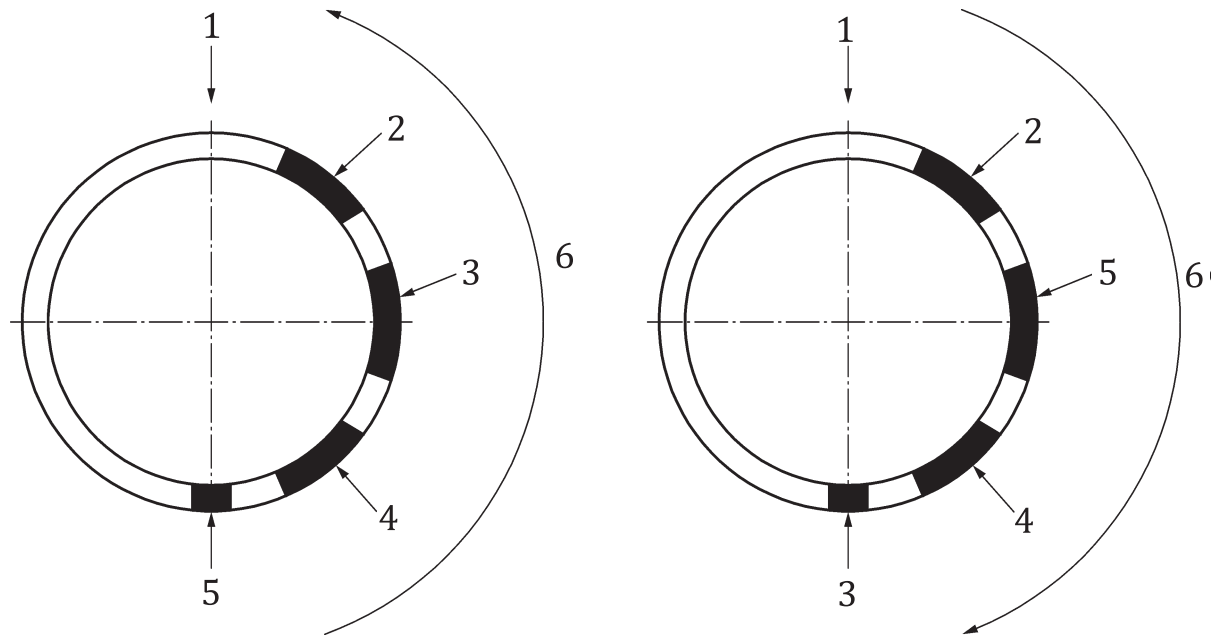


Key

- 1 discard 25 mm
- 2 welding direction
- 3 area for:
 - 1 tensile test specimen
 - bend test specimens
- 4 area for:
 - impact and additional test specimens if required
- 5 area for:
 - 1 tensile test specimen
 - bend test specimens
- 6 area for:
 - 1 macro test specimen
 - 1 hardness test specimen

NOTE Not to scale.

Figure 5 — Location of test specimens for a butt joint in plate

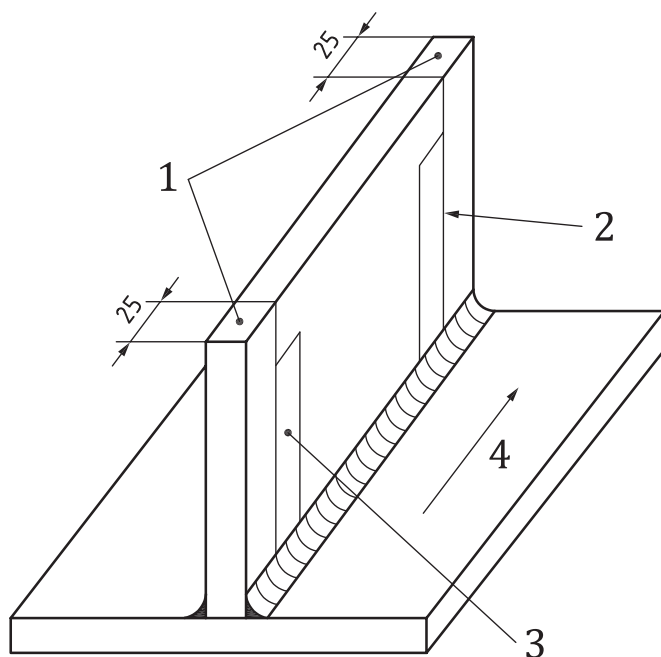


Key

- 1 end of weld
- 2 area for:
 - 1 tensile test specimen
 - bend test specimens
- 3 area for:
 - impact and additional test specimens if required
- 4 area for:
 - 1 tensile test specimen
 - bend test specimens
- 5 start of weld; area for:
 - 1 macro test specimen
 - 1 hardness test specimen (taken from the start of weld)
- 6 weld direction

NOTE Not to scale.

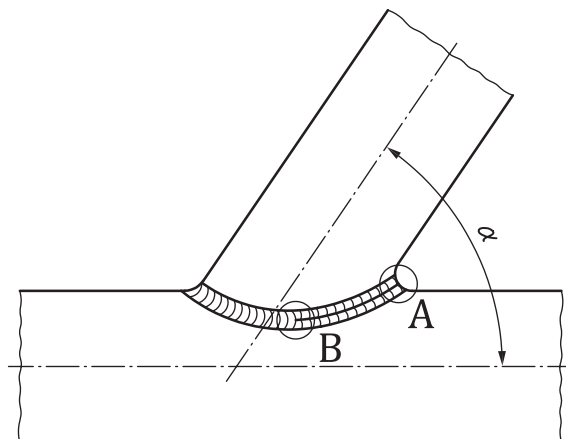
Figure 6 — Location of test specimens for a butt joint in pipe



Key

- 1 discard 25 mm
- 2 macro test specimen
- 3 macro and hardness test specimen
- 4 welding direction

Figure 7 — Location of test specimens in a T-joint



Key

- A macro and hardness test specimen to be taken
- B macro test specimen to be taken
- α branch angle

Figure 8 — Location of test specimens for a branch connection on pipe

7.3 Non-destructive testing

All non-destructive testing in accordance with 7.1 shall be carried out and accepted on the test pieces prior to cutting of the test specimens. The discard (see Figure 5 and Figure 7) shall not be considered for NDT. Any post-weld heat treatment (PWHT) that is specified shall be completed prior to non-destructive testing.

For materials that are susceptible to hydrogen induced cracking and where no post-heating or no PWHT is specified, non-destructive testing shall be delayed.

Depending upon joint geometry, materials and the requirements for work, the NDT shall be carried out as required in Table 1 and Table 2 in accordance with ISO 17637 (visual testing), ISO 17636-1 or ISO 17636-2 (radiographic testing), ISO 17640 (ultrasonic testing), ISO 3452-1 (penetrant testing) and ISO 17638 (magnetic particle testing). Acceptance levels shall be in accordance with 7.5.

7.4 Destructive testing

7.4.1 Transverse tensile test

Specimens and testing for transverse tensile testing for butt joint shall be in accordance with ISO 4136. The test shall represent the whole thickness except as necessary to obtain parallel sides on the specimens. Tensile testing shall ensure all welding processes used and the associated essential variables are tested.

NOTE It is not essential to overlap the specimens as identified in ISO 4136.

For pipes >50 mm outside diameter, the excess weld metal shall be removed on both faces to give the test specimen a thickness equal to the wall thickness of the pipe.

For pipes ≤50 mm outside diameter, for which the transverse tensile test is performed on the full pipe, the excess weld metal may be left undressed on the inside surface of the pipe.

The tensile strength of the test specimen shall not be less than the corresponding specified minimum value for the parent metal unless otherwise specified prior to testing.

For dissimilar parent metal joints, the tensile strength shall not be less than the minimum value specified for the parent material having the lowest tensile strength.

7.4.2 Bend test

Specimens and testing for bend testing for butt joints shall be in accordance with ISO 5173:2009.

For thicknesses <12 mm, two root and two face bend test specimens shall be tested. For thicknesses ≥12 mm, four side bend specimens may be used instead of root and face bend tests.

For dissimilar metal joints or heterogeneous butt joints in plates, one root and one face longitudinal bend test specimen may be used instead of four transverse bend tests.

During testing, the test specimens shall not reveal any imperfection >3 mm in any direction. Imperfections appearing at the corners of a test specimen during testing shall be ignored in the evaluation.

7.4.3 Macroscopic examination

The test specimen shall be prepared and etched in accordance with ISO 17639 on one side to clearly reveal the fusion line, the HAZ and the build-up of the runs.

The test specimen shall include unaffected parent metal and shall be recorded by at least one photograph of macro cross-section per procedure test.

The acceptance levels shall be in accordance with [7.5](#).

7.4.4 Impact testing

Test specimens and testing for impact tests shall be in accordance with this document for location of specimens and temperature of testing, and with ISO 9016 for dimensions and testing. The striker radius of 2 mm according to ISO 148-1 shall be used, unless otherwise specified.

For weld metal, test specimen type VWT (V: Charpy V-notch - W: notch in weld metal - T: notch through the thickness) and for HAZ specimen type VHT (V: Charpy V-notch - H: notch in heat affected zone - T: notch through the thickness) shall be used. From each specified location, each set shall be comprised of three specimens.

Specimens shall be sampled from a maximum of 2 mm below the upper surface of the parent metal and transverse to the weld.

In the HAZ, the mid-point of the notch shall be at 1 mm to 2 mm from the fusion line. In the weld metal, the mid-point of the notch shall be at the weld centreline.

For butt joints where the material thickness is $t > 50$ mm, two additional sets of specimens shall be taken from the root area, one set taken in the weld and one set taken from the HAZ.

For joints between materials with the same material specification and designation, the absorbed energy shall be in accordance with the appropriate parent material standard unless modified by the application standards.

For dissimilar metal joints, impact tests shall be carried out on specimens from the HAZ in each parent metal and the absorbed energy shall be in accordance with the appropriate parent material standard.

The average value of the three specimens shall meet the specified requirements. For each notch location, one individual value may be below the minimum average value specified, provided that it is not less than 70 % of that value.

Where more than one welding process or type of covering and fluxes are qualified in a single test piece, additional impact test specimens shall be taken from the weld metal and HAZ that include each process and type of covering and fluxes.

7.4.5 Hardness testing

Vickers hardness testing with a load of HV 10 shall be performed in accordance with ISO 9015-1. Hardness measurements shall be taken in the weld, the heat affected zones and the parent metal in order to evaluate the range of hardness values across the welded joint.

For weld thicknesses less than or equal to 5 mm, only one row of indentations shall be made at a depth of up to 2 mm below the upper surface of the welded joint.

For weld thicknesses over 5 mm, one row of indentation from each side shall be made at a depth of up to 2 mm from the surface.

For double sided welds, one additional row of indentations shall be made through the root area. Examples of typical indentation patterns are given in ISO 9015-1.

Where more than one welding process is used, each welding process has to be tested by at least one row of indentation.

For each row of indentation at least three individual indentations shall be made in each of the following areas:

- the weld;
- both heat affected zones;

— both parent metals.

For the HAZ, the first indentation shall be placed as close to the fusion line as possible.

The results from the hardness test shall meet the requirements given in [Table 3](#). However, requirements for groups 6 (non-heat treated), 7, 10 and 11 and any dissimilar metal joints shall be specified prior to testing.

Table 3 — Permitted maximum hardness values (HV 10)

Steel groups ISO/TR 15608	Non-heat treated	Heat treated
1 ^a , 2 ^b	380	320
3 ^b	450	380
4, 5	380 ^c	350 ^c
6	—	350
9.1	350	300
9.2	450	350
9.3	450	350

^a If hardness tests are required.
^b For steels with min $R_{eH} > 890$ MPa, special values shall be specified.
^c For certain materials, higher values may be accepted, if specified before the welding procedure test.

7.5 Acceptance levels

The acceptance levels for imperfections corresponding to level 1 and level 2 are given in [Table 4](#).

NOTE The correlation between the quality levels of ISO 5817 and the acceptance levels of the different NDT techniques is given in ISO 17635.

Table 4 — Acceptance levels for imperfections

ISO 5817 Ref. no.	ISO 6520-1 Ref. no.	Designation	Level 1	Level 2 Quality level to ISO 5817
1.1	100	Crack	Not permitted	B (not permitted)
1.5	401	Lack of fusion (incomplete fusion)	Not permitted	B (not permitted)
1.6	4021	Incomplete root penetration	Not permitted	B (not permitted)
1.7	5011 5012	Continuous undercut Intermittent undercut	No specific requirements	C
1.9	502	Excess weld metal (butt weld)	No specific requirements	C
1.10	503	Excessive convexity (fillet weld)	No specific requirements	C
1.11	504	Excess penetration	No specific requirements	C
1.12	505	Incorrect weld toe	No specific requirements	C

^a If required by the application standard or specified, micro crack sensitive materials may need specific examination.

Table 4 (continued)

ISO 5817 Ref. no.	ISO 6520-1 Ref. no.	Designation	Level 1	Level 2 Quality level to ISO 5817
1.16	512	Excessive asymmetry of fillet weld (excessive unequal leg length)	$h \leq 3$ mm	B
1.21	5214	Excessive throat thickness	No specific requirements	C
—	—	All other imperfections ^a	No specific requirements	B

^a If required by the application standard or specified, micro crack sensitive materials may need specific examination.

7.6 Re-testing

If the test piece fails to comply with any of the requirements for NDT, one further test piece shall be welded and subjected to the same examination. If this additional test piece does not comply with the requirements, the welding procedure test has failed. Alternatively, an analysis may be performed to determine the main cause of the defect. If it is established that the main cause of failure is not procedure-related and due to insufficient welder's skill, no additional test piece is needed and a report of the evidence shall be added to the report.

If any test specimen required by [Table 1](#) or [Table 2](#) fails to meet the applicable acceptance criteria, the test piece shall be considered as failed. In the case of failure of the test piece, a new test piece with the same welding parameters may be welded. If all destructive tests provide acceptable test results and a macro section test failed, two additional test specimens for macro section test can be taken.

In the case of failure of any destructive test specimen, except for macroscopic examination, two additional test specimens may be removed from the original test piece for each test specimen that failed if adequate material is available. The test specimens shall be taken as close as possible to the original specimen location.

Each additional test specimen shall be subjected to the same tests as the initial test specimen that failed. If any of the additional test specimens do not comply with the requirements, the welding procedure test shall be considered failed.

For hardness tests, if there are single hardness values in different test zones above the values indicated in [Table 3](#), an additional row of indentation may be carried out (on the reverse of the specimen or after sufficient preparation of the tested surfaces). None of the additional hardness values shall exceed the maximum hardness values given in [Table 3](#).

For impact tests, where the results from a set of three specimens do not comply with the requirements, with not more than one value lower than 70 % of the specified minimum average value, three additional specimens shall be taken. The new set of three specimens shall comply with the requirement of [7.4.4](#) and the average value of these specimens together with the initial results shall not be lower than the required average.

8 Range of qualification

8.1 General

Changes outside of the ranges specified shall require a new welding procedure test.

8.2 Related to the manufacturer

A welding procedure test according to this document prepared by a manufacturer is valid for welding in workshops or sites when the manufacturer who performed the welding procedure test retains complete responsibility for all welding carried out to it.

8.3 Related to the parent material

8.3.1 Parent material grouping

8.3.1.1 General

In order to minimize the number of welding procedure tests, steels, nickel and nickel alloys are grouped according to ISO/TR 15608. Where materials are assigned to groups by ISO/TR 20172, ISO/TR 20173 or ISO/TR 20174, those assignments shall be used.

Separate welding procedure qualifications are required for each parent material or parent material combinations not covered by the grouping system according to ISO/TR 20172, ISO/TR 20173, ISO/TR 20174 or ISO/TR 15608.

Permanent backing material shall be considered as a parent metal within the approval (sub-)group.

8.3.1.2 Steels

The ranges of qualification are given in [Table 5](#).

8.3.1.3 Nickel alloys

The ranges of qualification are given in [Table 6](#).

8.3.1.4 Dissimilar joints between steels and nickel alloys

The ranges of qualification are given in [Table 6](#).

Table 5 — Range of qualification for steel groups and sub-groups^{a,b,c}

Test piece material A	Test piece material B										
	1	2	3	4	5	6	7	8	9	10	11
1	1-1	—	—	—	—	—	—	—	—	—	—
2	1-1	1-1	—	—	—	—	—	—	—	—	—
	2-1	2-1									
	2-1	2-2									
3	1-1 2-1 2-1 3-1 3-1	1-1	1-1	—	—	—	—	—	—	—	—
		2-1	2-1								
		2-1	2-2								
		3-1	3-1								
		3-1	3-2								
		3-1	3-3								
4	4-1	4-1	4-1	4-1	—	—	—	—	—	—	—
		4-1	4-2	4-1							
		4-2	4-2	4-2							
		4-2	4-3	4-3							
		4-2	4-3	4-4							

^a Test piece materials in groups 1, 2, 3 and 11 qualify the equal or lower specified minimum yield strength steels (independent of the material thickness).

^b Test piece materials in groups 4, 5, 6, 8 and 9 qualify steels in the same sub-group and any lower sub-group within the same group.

^c Test piece materials in groups 7 and 10 qualify steels in the same sub-group.

Table 5 (continued)

Test piece material A	Test piece material B										
	1	2	3	4	5	6	7	8	9	10	11
5	5-1	5-2	5-3	5-4	5-1 5-2 5-5	—	—	—	—	—	—
6	6-1	6-1 6-2	6-1 6-2 6-3	6-1 6-2 6-3 6-4	6-1 6-2 6-3 6-4 6-5	6-1 6-2 6-3 6-4 6-5 6-6	—	—	—	—	—
7	7-1	7-1 7-2	7-1 7-2 7-3	7-4	7-5	7-5 7-6	7-7	—	—	—	—
8	8-1	8-1 8-2	8-1 8-2 8-3	8-4	8-1 8-2 8-4 8-5 8-6	8-1 8-2 8-4 8-5 8-6	8-7	8-8	—	—	—
9	9-1	9-1 9-2	9-1 9-2 9-3	9-4	9-5	9-6	9-7	9-8	9-9	—	—
10	10-1	10-1 10-2	10-1 10-2 10-3	10-4	10-1 10-2 10-3 10-4 10-6	10-1 10-2 10-4 10-6	10-7	10-8	10-9	10-10	—
11	11-1 1-1	11-1 11-2	11-1 11-2 11-3	11-4	11-5	11-6	11-7	11-8	11-9	11-10	1-1 11-1 11-11

^a Test piece materials in groups 1, 2, 3 and 11 qualify the equal or lower specified minimum yield strength steels (independent of the material thickness).

^b Test piece materials in groups 4, 5, 6, 8 and 9 qualify steels in the same sub-group and any lower sub-group within the same group.

^c Test piece materials in groups 7 and 10 qualify steels in the same sub-group.

Table 6 — Range of qualification for nickel alloy and nickel alloy/steel groups

Test piece material A	Test piece material B							
	41	42	43	44	45	46	47	48
41	41c-41	—	—	—	—	—	—	—
42	42c-41	42c-42	—	—	—	—	—	—
43	43c-41	43c-42	43c-43 45c-45 47c-47	—	—	—	—	—
44	44c-41	44c-42	44c-43	44c-44	—	—	—	—
45	45c-41	45c-42	45c-43	45c-44	45c-45 43c-43	—	—	—
46	46c-41	46c-42	46c-43	46c-44	46c-45	46c-46	—	—
47	47c-41	47c-42	47c-43	47c-44	47c-45	47c-46	47c-47 43c-43 45c-45	—
48	48c-41	48c-42	48c-43	48c-44	48c-45	48c-46	48c-47	48c-48
1	41c-1	42c-1	43c-1	44c-1	45c-1	46c-1	47c-1	48c-1
2	41c-2a 41c-1	42c-2a 42c-1	43c-2a 43c-1	44c-2a 44c-1	45c-2a 45c-1	46c-2a 46c-1	47c-2a 47c-1	48c-2a 48c-1
3	41c-3a 41c-2 41c-1	42c-3a 42c-2 42c-1	43c-3a 43c-2 43c-1	44c-3a 44c-2 44c-1	45c-3a 45c-2 45c-1	46c-3a 46c-2 46c-1	47c-3a 47c-2 47c-1	48c-3a 48c-2 48c-1
5	41c-5b 41c-6 41c-4 41c-2 41c-1	42c-5b 42c-6 42c-4 42c-2 42c-1	43c-5b 43c-6 43c-4 43c-2 43c-1	44c-5b 44c-6 44c-4 44c-2 44c-1	45c-5b 45c-6 45c-4 45c-2 45c-1	46c-5b 46c-6 46c-4 46c-2 46c-1	47c-5b 47c-6 47c-4 47c-2 47c-1	48c-5b 48c-6 48c-4 48c-2 48c-1
6	41c-6b 41c-4 41c-2 41c-1	42c-6b 42c-4 42c-2 42c-1	43c-6b 43c-4 43c-2 43c-1	44c-6b 44c-4 44c-2 44c-1	45c-6b 45c-4 45c-2 45c-1	46c-6b 46c-4 46c-2 46c-1	47c-6b 47c-4 47c-2 47c-1	48c-6b 48c-4 48c-2 48c-1
8	41c-8b	42c-8b	43c-8b	44c-8 b	45c-8 b	46c-8b	47c-8b	48c-8b
11	41c-11	42c-11	43c-11	44c-11	45c-11	46c-11	47c-11	48c-11

a Covers the equal or lower specified yield strength steels of the same group.

b Covers steels in the same sub-group and any lower sub-group within the same group.

c For groups 41 to 48, a procedure test carried out with a solid solution or precipitation hardening alloy in a group covers all solid solution or precipitation hardening alloys, respectively, in the same group.

8.3.2 Material thickness

8.3.2.1 General

Limits of qualification of both the parent material and deposited metal shall be as shown in [Tables 7](#) and [8](#). The deposited metal limits qualified shall not be exceeded in production welds except that the fillet weld thickness shall not be considered.

Both parts of the parent material to be welded shall be within the limits of thickness qualified, except that for dissimilar thickness parent materials there is no limit on the thickest part provided the qualification was performed on parent material of 30 mm or greater.

For multi-process qualification, the recorded thickness of the deposited metal of each process shall be used as a basis for the range of qualification for the individual welding process.

It is not intended that deposited metal thickness or base metal thickness or outside pipe diameters should be measured precisely, but rather the general philosophy behind the values given in [Tables 7, 8](#) and [9](#) should be applied.

8.3.2.2 Range of qualification for butt joints, T- joints, branch connections and fillet welds

The qualification of a welding procedure test on thickness t shall include qualification for thickness in the following ranges given in [Table 7](#) and [Table 8](#).

For level 1: Any butt weld or fillet weld tests qualify all fillet sizes and all material thicknesses.

For level 2: The range of qualification of fillet welds qualified by a full penetration butt weld or fillet weld test is given in [Table 8](#).

For processes 114, 12 and 13 in which any pass is greater than 13 mm thick, the maximum parent metal thickness qualified shall be $1,1 t$.

When impact testing is a requirement, the following applies:

- for test pieces 16 mm thick or greater, the minimum thickness qualified is 16 mm;
- for test pieces less than 16 mm thick, the minimum thickness qualified is the thickness of the test piece;
- for test piece thicknesses 6 mm and thinner, the minimum thickness qualified is 0,5 times the thickness of the test piece.

Table 7 — Range of qualification for butt welds material thickness and deposited metal thickness

Dimensions in millimetres

Thickness of test piece t	Range of qualification			Deposited weld metal thickness for each process s
	Level 1	Parent material thickness		
		Level 2		
		Single run	Multi-run	
$t \leq 3$		$0,5 t$ to $2 t$		max. $2 s$
$3 < t \leq 12$	$1,5$ to $2 t$	$0,5 t$ (3 min) to $1,3 t$	3 to $2 t^a$	max. $2 s^a$
$12 < t \leq 20$	5 to $2 t$	$0,5 t$ to $1,1 t$	$0,5 t$ to $2 t$	max. $2 s$
$20 < t \leq 40$	5 to $2 t$	$0,5 t$ to $1,1 t$	$0,5 t$ to $2 t$	max. $2 s$ when $s < 20$ max. $2 t$ when $s \geq 20$
$40 < t \leq 100$	5 to 200	—	$0,5 t$ to $2 t$	max. $2 s$ when $s < 20$ max. 200 when $s \geq 20$
$100 < t \leq 150$	5 to 200	—	50 to $2 t$	max. $2 s$ when $s < 20$ max. 300 when $s \geq 20$
$t > 150$	5 to $1,33 t$	—	50 to $2 t$	max. $2 s$ when $s < 20$ max. $1,33 t$ when $s \geq 20$

^a For level 2: when impact requirements are specified but impact tests have not been performed, the maximum thickness of qualification is limited to 12 mm.

Table 8 — For level 2: Range of qualification for material thickness and throat thickness of fillet welds

Dimensions in millimetres

Thickness of test piece t	Material thickness ^a	Range of qualification	
		Single run	Throat thickness Multi-run
$t \leq 3$	$0,7 t$ to $2 t$	$0,75 a$ to $1,5 a$	No restriction
$3 < t < 30$	3 to $2 t$		
$t \geq 30$	≥ 5		

Where a fillet weld is qualified by means of a butt weld test, the throat thickness range shall be based on the thickness of the deposited weld metal.

NOTE a is the nominal throat thickness as specified in pWPS for the test piece.

^a In case of different material thicknesses, the range of qualification of both thicknesses of the test pieces shall be calculated separately.

8.3.3 Diameter of pipes and branch connections

For level 1: The diameter is not an essential variable. Any product form, i.e. plate, pipe, forging or casting, qualifies for all product forms.

For level 2: The qualification of a welding procedure test on diameter D shall include qualification for diameters in the following ranges given in [Table 9](#).

A butt weld qualification for pipes covers butt welds in plates. Qualification given for plates also covers pipes when the outside diameter is >500 mm or when the outside diameter is >150 mm welded in the PC, in PF rotated position or in PA rotated position.

Table 9 — For level 2: Range of qualification for pipe and branch connection diameters

Dimensions in millimetres

Diameter of the test piece	Range of qualification
D	$\geq 0,5 D$

NOTE 1 For hollow section other than circular (for example, elliptic), D is the dimension of the smaller side.

NOTE 2 D is the outside diameter for the pipe of a butt weld or the outside diameter of the branch pipe for a branch connection (see [Figure 4](#), outside diameter D_2).

8.3.4 Angle of branch connection

For level 1: The angle of branch connection is not an essential variable.

For level 2: A welding procedure test shall be carried out on a branch connection with angle α (see [Figure 4](#)). A test piece made with a branch angle (α) between 60° and 90° in the procedure test qualifies the angle $60^\circ \leq \alpha < 90^\circ$. An angle $\alpha < 60^\circ$ requires a separate test piece and qualifies angles from α up to 90° .

8.4 Common to all welding procedures

8.4.1 Welding processes

For level 1: The degree of mechanization is not an essential variable.

For level 2: Each degree of mechanization shall be qualified independently (manual, partly mechanized, fully mechanized and automatic).

The qualification is only valid for the welding process(es) used in the welding procedure test.

For multi-process procedures, the welding procedure qualification may be carried out with separate welding procedure tests for each welding process. It is also possible to make the welding procedure test as a multi-process procedure test.

For level 1: Where more than one process or consumable are used in a single test piece, each process and consumable may be used individually or in different combinations, provided:

- a) the variables associated with each process and consumable are addressed in the pWPS;
- b) the parent material and deposited metal thickness limits of [Table 7](#) for each process and consumable are restricted in the pWPS to the thickness limits qualified.

For level 2: When the test piece is welded with more than one welding process, the procedure is valid only for the sequence of processes used on the test piece. Test specimens shall include deposited material from each welding process used.

Back run is permitted using one of the welding processes used in the qualification.

If a single process of a multi-process qualification is used in production, this single process shall be tested individually in accordance with the standard.

8.4.2 Welding positions

When neither impact nor hardness requirements are specified, welding of the test piece in any position (pipe or plate) qualifies for welding in all positions (pipe or plate).

For qualification of all welding positions, the following requirements shall be fulfilled:

- specimens for impact test shall be taken from the weld in the highest heat input position;
- specimens for hardness test shall be taken from the weld in the lowest heat input position.

To satisfy both hardness and impact requirements, two test pieces in different welding positions are required, unless a single position qualification is required or in case of when a fixed pipe is used for the qualification. Where qualification is required for all positions, both test pieces shall be subjected to full visual testing and further non-destructive methods.

Vertical down welding (welding positions PG, PJ and J-L045) shall be qualified by a specific test piece.

For material of group 10, the lowest and highest heat input positions shall be subjected to impact testing.

NOTE For example, for butt welds in plate, the highest heat input position is normally PF and PA and the lowest heat input position is PC and PE.

8.4.3 Type of joint/weld

For level 1: The range of qualification for the type of welded joints is as used in the welding procedure test subject to limitations given in other clauses (e.g. thickness) and additionally:

- a) full penetration butt welds qualify full and partial penetration butt welds and fillet welds in any type of joints;
- b) butt joints qualify any branch connections;
- c) fillet welds qualify fillet welding only;
- d) welds made from one side without backing qualify welds made from both sides and welds with backing;
- e) welds made with backing qualify welds made from both sides and welds made without backing;
- f) welds made from both sides without gouging qualify welds made from both sides with gouging;
- g) welds made from both sides with or without gouging qualify welds made from one side with backing;
- h) when impact or hardness requirements apply, it is not permitted to change a multi-run deposit into a single run deposit (or single run on each side) or vice versa for a given process;
- i) build-up welding. Build up is qualified by butt weld test piece.

For level 2: The range of qualification for the type of welded joints is as used in the welding procedure test subject to limitations given in other clauses (e.g. thickness) and additionally:

- a) butt welds qualify full and partial penetration butt welds and fillet welds, while fillet weld tests are required where T-joints are performed by fillet welds or partial penetration butt welds in the predominant form of welded connections in relation to the design and production welding;
- b) full penetration butt welds qualify full and partial penetration butt welds and fillet welds in any type of joints;
- c) butt joints in pipe qualify branch connections with an angle $\alpha \geq 60^\circ$ (see [Figure 4](#) for α);
- d) butt welds in T-joints with full penetration qualify full and partial penetration butt welds in T-joints and fillet welds but not vice versa;
- e) fillet welds qualify fillet welding only;
- f) welds made from one side without backing qualify welds made from both sides and welds with backing;
- g) welds made with backing qualify welds made from both sides;
- h) welds made from both sides without removing the root qualify welds made from both sides with removing the root (except thermal gouging);
- i) welds made from both sides with or without gouging qualify welds made from one side with backing;
- j) when impact or hardness requirements apply, it is not permitted to change a multi-run deposit into a single run deposit (or single run on each side) or vice versa for a given process;
- k) build-up welding. Build up is qualified by butt weld test piece;
- l) buttering shall be performed by a separate test piece in combination with the butt weld.

8.4.4 Filler material, manufacturer/trade name, designation

For level 1: A change from one filler metal F-number as shown in [Table A.1](#) to another or a change in the weld metal chemical analysis from one A-number shown in [Table A.2](#) to another or a change in the manufacturer or the manufacturer's trade name when the filler metal does not conform to an F-number and an A-number requires a separate qualification.

When the WPS is to be qualified for impact-tested applications, a change in the filler metal classification within a filler metal specification or to a filler metal not covered by a filler metal specification, or from one filler metal not covered by a filler metal specification to another filler metal that is not covered by a filler metal specification, requires a re-qualification. When a filler metal conforms to a filler metal classification within a filler metal specification, re-qualification is not required if a change is made in any of the following:

- a) from a filler metal that is designated as moisture-resistant to one that is not designated as moisture-resistant and vice versa;
- b) from one diffusible hydrogen level to another;
- c) for carbon, low alloy, and stainless steel filler metals having the same minimum tensile strength and the same nominal chemical composition, a change from one low hydrogen coating type to another low hydrogen coating type;
- d) from one position-usability designation to another for flux-cored electrodes;
- e) from a classification that requires impact testing to the same classification which has a suffix which indicates that impact testing was performed at a lower temperature or exhibited greater toughness at the required temperature or both, as compared to the classification which was used during procedure qualification; from the classification qualified to another filler metal within the same filler metal specification when weld metal impact testing is not required by the application standards.

For level 2: Filler materials cover other filler materials as long as, according to the designation in the appropriate international standard for the filler material, they have equivalent mechanical properties, same type of covering or flux core, same nominal chemical composition and the same or lower hydrogen content.

When impact testing is required by the application standard at temperatures less than $-20\text{ }^{\circ}\text{C}$, for processes 111, 114, 12, 136 and 132 according to ISO 4063, the range of validity is restricted to the manufacturer trade name of the filler material used in the procedure test. In this case, it is also permissible to change the manufacturer of filler material to another with the same compulsory part of the designation provided one additional test piece is welded using the maximum heat input qualified and only weld metal impact test specimens shall be tested. This does not apply to solid wire and rods with the same designation and nominal chemical compositions.

8.4.5 Filler material size

It is permitted to change the size of filler material provided that the requirements of [8.4.7](#) are satisfied.

NOTE When neither impact nor hardness testing is required, there is no limitation on filler material size.

8.4.6 Type of current

The qualification is given for the type of current [alternating current (AC), direct current (DC), pulsed current] and polarity used in the welding procedure test. For process 111, alternating current also qualifies direct current (both polarities) unless impact testing is required.

8.4.7 Heat input (arc energy)

The heat input can be replaced by arc energy (J/mm). The arc energy shall be calculated in accordance with ISO/TR 18491. When using the calculation for the heat input, the k-factor according to ISO/TR 17671-1 shall be considered. The kind of calculation, either heat input or arc energy, shall be documented.

For level 1: When impact requirements apply, the upper limit of heat input qualified is the maximum heat input used when welding the test piece.

For level 2: When impact requirements apply, the upper limit of the heat input qualified is 25 % greater than used in welding the test piece. When hardness requirements apply, the lower limit of the heat input qualified is 25 % lower than that used in welding the test piece. If welding procedure test has been performed at both a high and a low heat input level, then all intermediate heat input levels are also qualified. It is not necessary to calculate every run.

For covered electrode, the heat input average shall be calculated for each used diameter in order to define the qualified heat input.

For process 111, the heat input may also be measured by the run out length per unit length of electrode.

When the welding time is too short and when the length of the weld is not significant (e.g. for small repair, for tack welds), the heat input need not to be verified; only the adjustable parameters should be checked like amperage and/or voltage.

Arc energy and heat input are measures of the heat generated by the arc. Whereas, in the past, these were different terms for the same measure, they are now calculated in different ways. Either arc energy or heat input may be used for welding control, calculated in accordance with ISO/TR 18491.

8.4.8 Preheat temperature

A decrease of more than 50 °C from the recorded preheating temperature on the WPQR requires a re-qualification.

A decrease of the preheating temperature is permitted only if the requirements concerning preheating (especially the combined thickness) are fulfilled, e.g. ISO/TR 17671-2.

The pre-heat temperature may be specified, e.g. by a material data sheet, and will depend on the material thickness.

8.4.9 Interpass temperature

An increase of more than 50 °C in the maximum interpass temperature reached in the welding procedure test shall require re-qualification.

An increased preheat temperature intentionally applied during welding of the capping passes to reduce hardness in HAZ of a welding procedure test shall be considered as an essential variable. Both minimum preheat temperature applied and the preheating temperatures applied during welding of the capping passes shall be reported.

ISO 15614-1:2017(E)

For level 1: This limitation does not apply when impact test is not required.

For level 2: The upper limit of the qualification is the highest interpass temperature reached in the welding procedure test for material groups 8, 10 and 41 to 48.

This limitation does not apply when a WPS qualified with a PWHT above the upper transformation temperature or when an austenitic material is solution annealed after welding.

8.4.10 Post-heating for hydrogen release

For level 1: Post-heating for hydrogen release is not an essential variable.

For level 2: The temperature and duration of post-heating for hydrogen release shall not be reduced. Post-heating shall not be omitted, but may be added.

8.4.11 Heat-treatment

Addition or deletion of post-weld heat-treatment is not permitted.

A separate procedure qualification is required for each of the following conditions:

a) For ISO/TR 15608 groups 1, 2, 3, 4, 5, 6, 7, 9, 10 and 11 materials, the following PWHT conditions apply:

- 1) PWHT below the lower transformation temperature (e.g. stress relieving);
- 2) PWHT above the upper transformation temperature (e.g. normalizing);
- 3) PWHT above the upper transformation temperature followed by heat treatment below the lower transformation temperature (e.g. normalizing or quenching followed by tempering);
- 4) PWHT between the upper and lower transformation temperatures.

For level 2: The temperature range validated is the holding temperature used in the welding procedure test ± 20 °C unless otherwise specified. Where required, heating rates, cooling rates and holding time shall be related to the product.

b) For all other materials, PWHT within a specified temperature range applies.

8.5 Specific to processes

8.5.1 Submerged arc welding (process 12)

A change as described below requires a re-qualification.

For level 1:

- a) A change in the minimum tensile strength when the flux/wire combination is classified in filler metal specification. A change in either the flux trade name or wire trade name when neither the flux nor the wire is classified. A change in the flux trade name when the wire is classified but the flux is not.
- b) A change in the flux trade name for A-No. 8 or 9 deposits, as shown in [Table A.2](#).
- c) If the weld metal alloy content is dependent upon the composition of the flux, any change in the welding procedure which would result in the important weld metal alloying elements being outside the specified chemical composition range of the WPS.
- d) An addition or deletion of supplementary filler metal (powder or wire), or a change of more than $\pm 10\%$ in the ratio of electrode to supplementary filler material.
- e) A change in flux type (i.e. neutral to active or vice versa) for multi-run welds for material groups 1 and 11 according to ISO/TR 15608.
- f) When flux from re-crushed slag is used, each batch or blend shall be tested in accordance with the filler metal specification requirements by either the manufacturer or user, or qualified as an unclassified flux as required by a).
- g) When the WPS is to be qualified for impact-tested applications, re-qualification is required if there is a change in the flux/wire classification or a change in either the electrode or flux trade name when not classified in a filler metal specification. Re-qualification is not required when a wire/flux combination conforms to a filler metal specification and a change is made from one diffusible hydrogen level to another. This variable does not apply when the weld metal is exempt from impact testing by other application standards.

For level 2:

- a) Each variant of process 12 (121 to 126) shall be qualified independently. Any change in the number of electrodes requires re-qualification. Any addition or deletion of wires (cold wire or hot wire) shall require re-qualification. Also, a change of more than $\pm 10\%$ of the ratio of the supplementary filler material to the electrode requires re-qualification.
- b) The qualification of the welding procedure test is restricted to manufacturer, trade name and designation of the flux used in the test.
- c) When flux from re-crushed slag is used, each batch or blend requires a new qualification test.

8.5.2 Gas-shielded metal arc welding (process 13)

8.5.2.1 Shielding gases

The qualification is restricted to nominal composition of the shielding gas used in the procedure test. The designation of ISO 14175 may be used to specify the shielding gas composition, e.g. ISO 14175:2008-M21-ArC-18.

A deviation of max. $\pm 20\%$ (relative) of the nominal composition of the CO₂ content is allowed.

However, an intentional addition or deletion of maximum 0,1 % of any gas component does not require a new welding procedure test.

8.5.2.2 Process variants

A change as described below requires a re-qualification.

For level 1: The addition, deletion, or change of more than 10 % in the volume of supplemental filler metal. Where the alloy content of the weld metal is largely dependent upon the composition of the supplemental filler metal, any change in any part of the welding procedure that would result in the important alloying elements in the weld metal being outside of the specification range of chemistry given in the welding procedure specification.

When the WPS is to be qualified for impact-tested applications, re-qualification is required if there is a change from single electrode to multiple electrode acting in the same weld pool or vice versa.

For level 2: The qualification given is restricted to the wire system used in the welding procedure test (e.g. single-wire or multiple-wire system).

8.5.2.3 Transfer mode

8.5.2.3.1 General

For solid and metal cored wires, the qualification using short circuiting transfer qualifies only short circuiting transfer. Qualification using spray, pulse or globular transfer qualifies spray, pulse and globular transfer.

8.5.2.3.2 For level 2 — Waveform controlled welding

When a power source with waveform control (see ISO/TR 18491) is used, the power source manufacturer and waveform control mode shall be recorded on the WPQR including all other pertinent information.

Change from one manufacturer to another manufacturer of the power source or a change in the waveform control mode requires a new qualification test.

8.5.2.3.3 For level 2 — Welding with pulsed mode (without waveform control)

When a power source with pulsed mode is used, the identification of the power source manufacturer shall be recorded on the WPQR including all pertinent information.

Change from one manufacturer to another manufacturer of the power source does not require a new qualification test.

8.5.2.3.4 For level 2 — Welding without pulsed mode and without waveform control

When the power source used to qualify a WPQR has been used without waveform control, an identification of the power source manufacturer is required.

Change from one manufacturer to another manufacturer of the power source does not require a new qualification test.

8.5.3 Gas-shielded arc welding with non-consumable electrode (process 14)

8.5.3.1 Shielding gases

The qualification is restricted to nominal composition of the shielding gas used in the procedure test. The designation of ISO 14175 may be used to specify the shielding gas composition, e.g. ISO 14175:2008-I3-ArHe-30.

A deviation of max. ± 10 % (relative) of the nominal composition of the helium content is allowed.

However, an intentional addition or deletion of maximum 0,1 % of any gas component does not require a new welding procedure test.

8.5.3.2 Filler material

Welding with filler material does not qualify for welding without filler material or vice versa.

8.5.4 Plasma arc welding (process 15)

Qualification of the welding procedure is restricted to the nominal composition of plasma gas used in the welding procedure test. The qualification is restricted to nominal composition of the shielding gas used in the procedure test. Welding with filler material does not qualify for welding without filler material or vice versa.

If impact tests are required, a change in the type of joint preparation (groove) requires a re-qualification.

8.5.5 Oxy-acetylene welding (process 311)

Welding with filler material does not qualify for welding without filler material or vice versa.

8.5.6 Backing gas

For level 1: For material groups 7.1 and 41 to 48, deletion of backing gas or change in the backing gas nominal composition from an inert gas to a mixture including non-inert gas(es) requires re-qualification. For material groups 7.1 and 41 to 48, addition of backing gas does not require re-qualification. For all other material groups, the addition or deletion of backing gas does not require re-qualification.

For level 2: A butt weld procedure test made without backing gas qualifies a welding procedure with group I, N1, N2 and N3 backing gas according to ISO 14175, but not vice versa.

Main group of backing gas covers all sub-groups of the same main group (classification according to ISO 14175).

For material groups 1 to 6 according to ISO/TR 15608, a change between group I, N1, N2 and N3 backing gas does not require re-qualification.

For material groups 8 and 41 to 48, a change between group I, N and R backing gas does not require re-qualification.

Any change in the backing gas classification for material groups 7 and 10 requires re-qualification.

If production welds are made on material backing support with a thickness greater than 5 mm, the deletion of backing gas is acceptable.

9 Welding procedure qualification record (WPQR)

The WPQR is a statement of the results of assessing each test piece including re-tests. The relevant items listed for the WPS in the relevant part of ISO 15609 shall be included, together with details of

any features that would be rejectable by the requirements of [Clause 7](#). If no rejectable features or unacceptable test results are found, a WPQR detailing the welding procedure test piece results is qualified and shall be signed and dated by the examiner or the examining body.

For level 1: A WPQR format shall be used to record details and level for the welding procedure and the test results, in order to facilitate uniform presentation and assessment of the data.

For level 2: A WPQR format shall be used to record details, range of qualification and level for the welding procedure and the test results, in order to facilitate uniform presentation and assessment of the data.

If required by an application standard or a specification, for example, the certificates of base metals and welding consumables shall be added to the WPQR.

An example of WPQR format is shown in [Annex B](#).

Annex A (normative)

Filler material, designation

Table A.1 — For level 1: Grouping of filler metals and electrodes for qualification (grouping of welding electrodes and rods for qualification)

F-No.	International Standard	Steels	
		A Classification by yield strength (or nom. comp.)	B Classification by tensile strength (or alloy type)
1	ISO 2560	EXXxA13, EXXxA33, EXXxRR4, EXXx-RA54, EXXxB53	EXX20, EXX24, EXX27, EXX28
	ISO 3581	EXX XX Bx3, EXX XX Rx3	ESXXX(X)-25, ESXXX(X)-26
	ISO 2560	EXXxMo	EXX20-1M3, EXX27-1M3
2	ISO 2560	EXXxR12, EXXxR32, EXXxRA12	EXX12, EXX13, EXX14, EXX19
	ISO 2560	—	EXX13-XX
3	ISO 2560	EXXxC21, EXXxC11	EXX10, EXX11
	ISO 2560	EXXxMoC21, EXXxMoC11	EXX10-XX, EXX11-XX
4	ISO 2560	EXXxB22, EXXxB12, EXXxB32, EXXxB35	EXX15, EXX16, EXX18, EXX48
	ISO 3581 other than austenitic and duplex	E13 XX Bx1, E13 XX Rx1 E17 XX Bx1, E17 XX Rx1	ES4XX(X)-15, ES4XX(X)-16, ES4XX(X)-17 ES6XX(X)-15, ES6XX(X)-16, ES6XX(X)-17
	ISO 3580	E XXX B	EXX15-XX, EXX16-XX, EXX18-XX
	ISO 18275	EXXXx1.5NiMo B	EXX18-N3M1, EXX18-N3M2
	ISO 2560 ISO 18275	EXXxMn2NiCrMo B, EXXxMn2Ni1CrMo B	EXX18-N4CM2, EXX18-N4CM2M2
5	ISO 3581 austenitic and duplex	EXX XX Bx1, EXX XX Rx1	ESXXX(X)-15, ESXXX(X)-16, ESXXX(X)-17
6	ISO 14343	All classifications	All classifications
	ISO 14171	All classifications	All classifications
	ISO 14341	All classifications	All classifications
	ISO 636	All classifications	All classifications
	ISO 17632	All classifications	All classifications
	ISO 17633	All classifications	All classifications
	ISO 24598	All classifications	All classifications
	ISO 26304	All classifications	All classifications
	ISO 16834	All classifications	All classifications
	ISO 21952	All classifications	All classifications
	ISO 17634	All classifications	All classifications
	ISO 18276	All classifications	All classifications

Table A.1 (continued)

Nickel and nickel alloys		
F-No.	International Standard	Classification
41	ISO 14172	ENi 2061
	ISO 18274	SNi 2061
42	ISO 14172	ENi 4060
	ISO 18274	SNi 4060, SNi 5504
43	ISO 14172	ENi 6062, ENi 6133, ENi 6182, ENi 6093, ENi 6152, ENi 6094, ENi 6095, ENi 6025, ENi 6002, ENi 6625, ENi 6276, ENi 6275, ENi 6620, ENi 6455, ENi 6022, ENi 6627, ENi 6059, ENi 6686, ENi 6200, ENi 6650, ENi 6117
	ISO 18274	SNi 6082, SNi 6072, SNi 6076, SNi 6062, SNi 7092, SNi 6052, SNi 7069, SNi 6601, SNi 6025, SNi 6693, SNi 6002, SNi 6625, SNi 6276, SNi 6455, SNi 6022, SNi 6059, SNi 6686, SNi 6057, SNi 6200, SNi 6650, SNi 6660, SNi 6205, SNi 6231, SNi 6617
44	ISO 14172	ENi 1001, ENi 1004, ENi 1066, ENi 1008, ENi 1009, ENi 1067, ENi 1069
	ISO 18274	SNi 1001, SNi 1003, SNi 1004, SNi 1066, SNi 1008, SNi 1009, SNi 1067, SNi 1069
45	ISO 14172	ENi 6985, ENi 6030
	ISO 18274	SNi 6975, SNi 6985, SNi 6030, SNi 8065
46	ISO 18274	SNi 6160

Table A.2 — For level 1: Grouping of ferrous weld metal by chemical analysis (not applicable to nonferrous materials)

A-No.	Type of weld metal	Chemical composition, weight percent ^a					
		C	Cr	Mo	Ni	Mn	Si
1	Mild steel (non-alloy steel)	0,20	0,20	0,30	0,50	1,60	1,00
2	Carbon-molybdenum	0,15	0,50	0,40 to 0,65	0,50	1,60	1,00
3	Chrome (0,4 % to 2 %)-molybdenum	0,15	0,40 to 2,00	0,40 to 0,65	0,50	1,60	1,00
4	Chrome (2 % to 4 %)-molybdenum	0,15	2,00 to 4,00	0,40 to 1,50	0,50	1,60	2,00
5	Chrome (4 % to 10,5 %)-molybdenum	0,15	4,00 to 10,50	0,40 to 1,50	0,80	1,20	2,00
6	Chrome-martensitic	0,15	11,00 to 15,00	0,70	0,80	2,00	1,00
7	Chrome-ferritic	0,15	11,00 to 30,00	1,00	0,80	1,00	3,00
8	Chromium-nickel	0,15	14,50 to 30,00	4,00	7,50 to 15,00	2,50	1,00
9	Chromium-nickel	0,30	19,00 to 30,00	6,00	15,00 to 37,00	2,50	1,00
10	Nickel to 4 %	0,15	0,50	0,55	0,80 to 4,00	1,70	1,00
11	Manganese-molybdenum	0,17	0,50	0,25 to 0,75	0,85	1,25 to 2,25	1,00
12	Nickel-chrome-molybdenum	0,15	1,50	0,25 to 0,80	1,25 to 2,80	0,75 to 2,25	1,00

^a Single values are maximum values.

NOTE Only listed elements are used to determine A-numbers.

Annex B
(informative)

Welding procedure qualification record form (WPQR)

Welding procedure qualification — Test certificate

Manufacturer's WPQR no.:

Examiner or examining body:

Manufacturer:

Reference no.:

Address:

Code/testing standard:

Level:

Date of welding:

Record of weld test

Location: Examiner or examining body:
 Manufacturer's pWPS no.: Method of preparation and cleaning:
 Manufacturer's WPQR no.: Parent material specification:
 Manufacturer: Material thickness (mm):
 Welder's/operator's name: Outside pipe diameter (mm):
 Joint type and weld: Welding position:

Weld preparation details (sketch)*:

Joint design	Welding sequences

Welding details

Run	Welding process	Size of filler material	Current A	Voltage V	Type of current/polarity	Wire feed speed	Travel speed*	Heat input*	Metal transfer

Filler material designation and make: Other information*, e.g.:
 Any special baking or drying: Weaving (maximum width of run):
 Gas/flux — shielding: Oscillation: amplitude, frequency, dwell time
 Backing: Pulse welding details:
 Gas flow rate — shielding: Distance contact tube/workpiece:
 Backing: Plasma welding details:
 Tungsten electrode type/size: Torch angle:
 Details of back gouging/backing:
 Preheat temperature:
 Interpass temperature:
 Post-heating:
 Post-weld heat treatment (PWHT):
 (Time, temperature, method:
 heating and cooling rates*):

.....
 Manufacturer Examiner or examining body
 Name, date and signature Name, date and signature

* If required

Test results

Manufacturer's WPQR no.:

Examiner or examining body:

Visual:

Reference no.:

Penetrant/magnetic particle testing*:

Radiographic testing*:

Ultrasonic testing*:

Temperature:

Tensile tests

Type/no.	R _e MPa	R _m MPa	A % on	Z %	Fracture location	Remarks
Requirement						

Bend tests

Former diameter

Type/no.	Bend angle	Elongation*	Results

Macroscopic examination
(add photograph/image)

Impact test*

Type

Size

Requirement

Notch location/direction	Temp. °C	Values			Average	Remarks
		1	2	3		

Hardness Test* (type/load)

Location of measurements (Sketch*)

Parent metal:

HAZ:

Weld metal:

Other tests:

Remarks:

Tests carried out in accordance with the requirements of:

Laboratory report reference no.:

Test results were acceptable/not acceptable:

(Delete as appropriate)

Test carried out in the presence of:

* If required

.....
Examiner or examining body

Bibliography

- [1] ISO 9606-1, *Qualification testing of welders — Fusion welding — Part 1: Steels*
- [2] ISO 9606-4, *Approval testing of welders — Fusion welding — Part 4: Nickel and nickel alloys*
- [3] ISO 9692-1, *Welding and allied processes — Types of joint preparation — Part 1: Manual metal arc welding, gas-shielded metal arc welding, gas welding, TIG welding and beam welding of steels*
- [4] ISO 9692-2, *Welding and allied processes — Joint preparation — Part 2: Submerged arc welding of steels*
- [5] ISO 14732, *Welding personnel — Qualification testing of welding operators and weld setters for mechanized and automatic welding of metallic materials*
- [6] ISO 15607, *Specification and qualification of welding procedures for metallic materials — General rules*
- [7] ISO 17635, *Non-destructive testing of welds — General rules for metallic materials*
- [8] ASME BPVC, Section IX, *Welding, Brazing, and Fusing Qualifications*
- [9] ISO/TR 17671-2, *Welding — Recommendations for welding of metallic materials — Part 2: Arc welding of ferritic steels*

