

---

---

**Plastics — Compression-moulded sheets  
of polyethylene (PE-UHMW, PE-HD) —  
Requirements and test methods**

*Plastiques — Plaques moulées par compression en polyéthylène  
(PE-UHMW, PE-HD) — Exigences et méthodes d'essai*



Reference number  
ISO 15527:2010(E)

© ISO 2010

**PDF disclaimer**

This PDF file may contain embedded typefaces. In accordance with Adobe's licensing policy, this file may be printed or viewed but shall not be edited unless the typefaces which are embedded are licensed to and installed on the computer performing the editing. In downloading this file, parties accept therein the responsibility of not infringing Adobe's licensing policy. The ISO Central Secretariat accepts no liability in this area.

Adobe is a trademark of Adobe Systems Incorporated.

Details of the software products used to create this PDF file can be found in the General Info relative to the file; the PDF-creation parameters were optimized for printing. Every care has been taken to ensure that the file is suitable for use by ISO member bodies. In the unlikely event that a problem relating to it is found, please inform the Central Secretariat at the address given below.

15527:2010(E)



**COPYRIGHT PROTECTED DOCUMENT**

© ISO 2010

All rights reserved. Unless otherwise specified, no part of this publication may be reproduced or utilized in any form or by any means, electronic or mechanical, including photocopying and microfilm, without permission in writing from either ISO at the address below or ISO's member body in the country of the requester.

ISO copyright office  
Case postale 56 • CH-1211 Geneva 20  
Tel. + 41 22 749 01 11  
Fax + 41 22 749 09 47  
E-mail [copyright@iso.org](mailto:copyright@iso.org)  
Web [www.iso.org](http://www.iso.org)

Published in Switzerland

# Contents

Page

Foreword .....	iv
<b>1 Scope .....</b>	<b>1</b>
<b>2 Normative references .....</b>	<b>1</b>
<b>3 Material .....</b>	<b>1</b>
<b>4 Requirements .....</b>	<b>2</b>
4.1 Appearance .....	2
4.2 Dimensional tolerances .....	2
4.3 Properties .....	3
<b>5 Test methods .....</b>	<b>4</b>
5.1 Test specimens .....	4
5.2 Delivery condition .....	5
5.3 Appearance .....	5
5.4 Dimensions .....	5
5.5 Density .....	5
5.6 Determination of abrasion properties .....	5
5.7 Tensile stress at yield, $\sigma_y$ , and tensile strain at yield, $\epsilon_y$ .....	5
5.8 Modulus of elasticity in tension, $E_t$ .....	5
5.9 Impact strength of notched specimens .....	6
5.10 Melt mass-flow rate (MFR) .....	6
<b>6 Designation .....</b>	<b>6</b>
<b>7 Marking .....</b>	<b>6</b>
<b>Annex A (normative) Requirements for rectangularity .....</b>	<b>7</b>
<b>Annex B (normative) Determination of abrasion properties .....</b>	<b>8</b>
<b>Annex C (informative) Example of apparatus for the determination of abrasion properties .....</b>	<b>10</b>

## Foreword

ISO (the International Organization for Standardization) is a worldwide federation of national standards bodies (ISO member bodies). The work of preparing International Standards is normally carried out through ISO technical committees. Each member body interested in a subject for which a technical committee has been established has the right to be represented on that committee. International organizations, governmental and non-governmental, in liaison with ISO, also take part in the work. ISO collaborates closely with the International Electrotechnical Commission (IEC) on all matters of electrotechnical standardization.

International Standards are drafted in accordance with the rules given in the ISO/IEC Directives, Part 2.

The main task of technical committees is to prepare International Standards. Draft International Standards adopted by the technical committees are circulated to the member bodies for voting. Publication as an International Standard requires approval by at least 75 % of the member bodies casting a vote.

Attention is drawn to the possibility that some of the elements of this document may be the subject of patent rights. ISO shall not be held responsible for identifying any or all such patent rights.

ISO 15527 was prepared by Technical Committee ISO/TC 61, *Plastics*, Subcommittee SC 11, *Products*.

This second edition cancels and replaces the first edition (ISO 15527:2007), of which it constitutes a minor revision (the requirements given in Table 2 for the abrasion properties have been modified and in 5.9.2 ISO 179-1, rather than ISO 11542-2, is now used to determine the Charpy impact strength).

# Plastics — Compression-moulded sheets of polyethylene (PE-UHMW, PE-HD) — Requirements and test methods

## 1 Scope

This International Standard specifies the requirements and test methods for solid flat compression-moulded sheets of polyethylene (PE-UHMW and PE-HD, see ISO 1043-1) without fillers or reinforcing materials. It applies only to thicknesses from 10 mm to 200 mm.

## 2 Normative references

The following referenced documents are indispensable for the application of this document. For dated references, only the edition cited applies. For undated references, the latest edition of the referenced document (including any amendments) applies.

ISO 179-1, *Plastics — Determination of Charpy impact properties — Part 1: Non-instrumented impact test*

ISO 291, *Plastics — Standard atmospheres for conditioning and testing*

ISO 527-2, *Plastics — Determination of tensile properties — Part 2: Test conditions for moulding and extrusion plastics*

ISO 1133, *Plastics — Determination of the melt mass-flow rate (MFR) and the melt volume-flow rate (MVR) of thermoplastics*

ISO 1043-1, *Plastics — Symbols and abbreviated terms — Part 1: Basic polymers and their special characteristics*

ISO 1183 (all parts), *Plastics — Methods for determining the density of non-cellular plastics*

ISO 1872-1, *Plastics — Polyethylene (PE) moulding and extrusion materials — Part 1: Designation system and basis for specifications*

ISO 11542-1, *Plastics — Ultra-high-molecular-weight polyethylene (PE-UHMW) moulding and extrusion materials — Part 1: Designation system and basis for specifications*

ISO 11542-2, *Plastics — Ultra-high-molecular-weight polyethylene (PE-UHMW) moulding and extrusion materials — Part 2: Preparation of test specimens and determination of properties*

## 3 Material

Sheets shall consist of PE-UHMW moulding materials as defined in ISO 11542-1 or PE-HD selected from polyethylene (PE) moulding materials as defined in ISO 1872-1, without fillers or reinforcing materials. Materials and additives of unknown identity shall not be used.

NOTE Legal conditions may necessitate a specific choice of moulding material (see 4.3.2).

## 4 Requirements

### 4.1 Appearance

Sheets shall have smooth surfaces. Small grooves and any resultant irregularities in the thicknesses of sheets are acceptable as long as the requirements specified in 4.2.1 are fulfilled. Sheets shall be examined in accordance with 5.3.

Where agreed between the interested parties, sheets with a smooth machined surface may be supplied.

Sheets shall be substantially free from bubbles, blowholes and other inhomogeneities which would make them unfit for the intended use. Specific requirements with respect to this internal integrity shall be agreed upon between the interested parties. Sheets shall be examined in accordance with 5.2.

### 4.2 Dimensional tolerances

#### 4.2.1 Thickness

For any individual sheet, the thickness tolerance with reference to the nominal thickness shall be as specified in Table 1. Testing shall be in accordance with 5.4.1.

**Table 1 — Tolerances on thickness of sheet**

Values in millimetres

Nominal thickness $h_n$	Tolerance			
	PE-UHMW		PE-HD	
	Group 1.1	Group 1.2	High MW	Low MW
			Group 2.1	Group 3.1
$10 \leq h_n \leq 20$	+3 0	+3 0	+3 0	+3 0
$20 < h_n \leq 40$	+5 0	+5 0	+5 0	+5 0
$40 < h_n \leq 60$	+6 0	+6 0	+6 0	+6 0
$60 < h_n \leq 80$	+8 0	+8 0	+8 0	+8 0
$80 < h_n \leq 100$	+10 0	+10 0	+10 0	+10 0
$100 < h_n \leq 120$	+12 0	+12 0	+12 0	+12 0
$120 < h_n \leq 150$	+14 0	+14 0	+14 0	+14 0
$150 < h_n \leq 200$	+16 0	+16 0	+16 0	+16 0

#### 4.2.2 Length and width

The nominal length,  $l_n$ , and nominal width,  $b_n$ , of sheets shall be as agreed between the interested parties.

### 4.2.3 Rectangularity

For any individual sheet, selected at random from any delivery, the rectangularity tolerance, expressed as the difference in length of the diagonals,  $|d_1 - d_2|$  (see Figure 1), shall be in accordance with Table A.1.

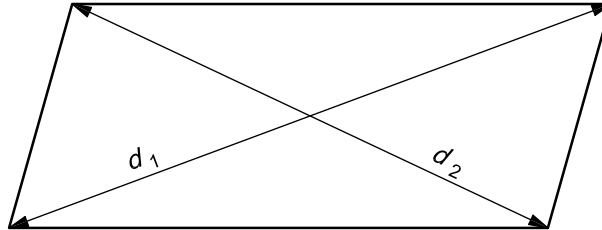


Figure 1 — Difference between lengths of diagonals,  $|d_1 - d_2|$

Testing shall be in accordance with 5.4.3.

## 4.3 Properties

### 4.3.1 Physical properties

Requirements for physical properties are given in Table 2.

Table 2 — Physical properties

Properties	Unit	Requirements (average values)				Test method subclause
		PE-UHMW		PE-HD		
		Group 1.1	Group 1.2	Group 2.1	Group 3.1	
Density	g/cm <sup>3</sup>	0,920 to 0,945	0,920 to 0,945	0,945 to 0,960	0,940 to 0,965	5.5
Abrasion	—	70 to < 90	90 to 110	200 to 450	500 to 1 000	5.6
Tensile stress at yield	MPa	≥ 17	≥ 17	≥ 19	≥ 19	5.7
Tensile strain at yield	%	≥ 8	≥ 8	≥ 8	≥ 8	5.7
Modulus of elasticity in tension	MPa	≥ 500	≥ 600	≥ 800	≥ 700	5.8
Impact strength of double-notched specimens	kJ/m <sup>2</sup>	≥ 40	≥ 170	≥ 15	≥ 5	5.9.1
Charpy impact strength of notched specimens	kJ/m <sup>2</sup>	No breaks	No breaks	No breaks	≥ 9	5.9.2
MFR: 190 °C/5 kg	g/10 min	Not measurable	Not measurable	≤ 0,1	0,3 to 0,7	5.10
MFR: 190 °C/21,6 kg	g/10 min	Not measurable	Not measurable	≤ 3	7 to 20	5.10

### 4.3.2 Physiological behaviour

Any relevant legislation for physiological behaviour shall be taken into consideration.

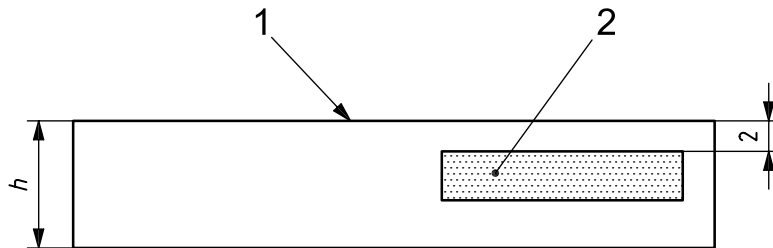
5 Test methods

5.1 Test specimens

5.1.1 Preparation of test specimens

For sheets of thickness  $\geq 10$  mm but  $\leq 20$  mm, the test specimens shall be taken as shown in Figure 2, and for sheets of thickness  $> 20$  mm but  $\leq 200$  mm they shall be taken as shown in Figure 3.

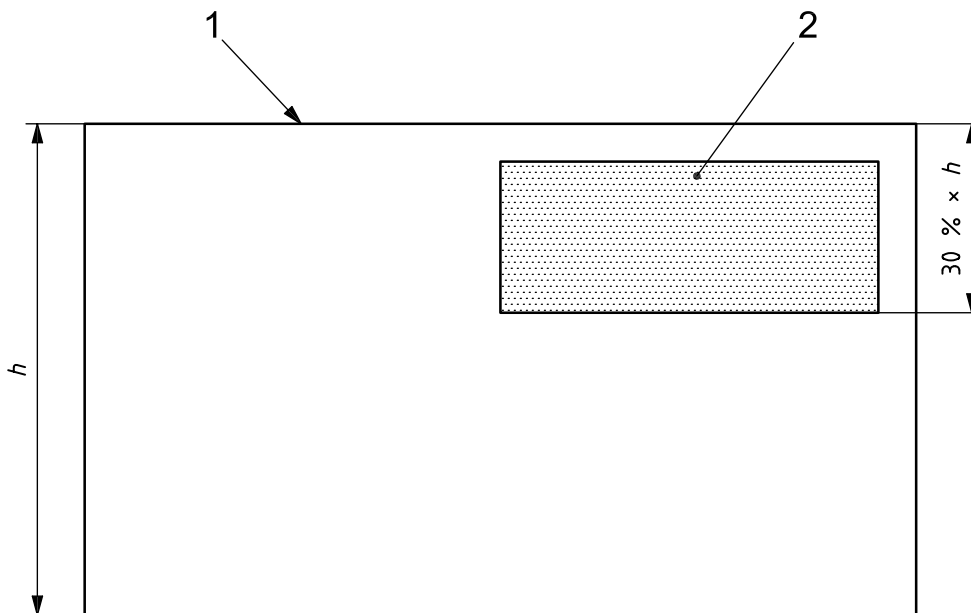
Dimensions in millimetres



Key

- 1 surface of sheet
- 2 test specimen
- h* sheet thickness

Figure 2 — Taking test specimens from sheets of thickness  $\geq 10$  mm but  $\leq 20$  mm



Key

- 1 surface of sheet
- 2 test specimen
- h* sheet thickness

Figure 3 — Taking test specimens from sheets of thickness  $> 20$  mm but  $\leq 200$  mm

The surfaces of the test specimens shall be free from damage and faults in order to avoid notch effects. Should any burrs occur on the test specimens during machining, these shall be eliminated without damaging the surfaces of the specimens. If required, the cut edges shall be finished with abrasive paper (grain size 220 or finer), the direction of abrasion being along the length of the test specimens.



### 5.1.2 Conditioning

All test specimens shall be conditioned for at least 16 h at  $23\text{ °C} \pm 2\text{ °C}$  in accordance with ISO 291 or as specified in the appropriate material standard. Shorter conditioning times may be used by agreement between the interested parties when it can be shown that there is no significant difference in the results obtained.

### 5.1.3 Testing

Testing shall be carried out in standard atmosphere 23/50 as specified in ISO 291 or as specified in the appropriate material standard, unless otherwise agreed between the interested parties or specified in the individual test standards.

## 5.2 Delivery condition

Sheets shall be visually examined when delivered to ensure freedom from mechanical damage or other obvious defects. Sheets can be inspected by ultrasonic or X-ray methods where required.

## 5.3 Appearance

Where possible, sheets shall be examined for visual defects by transmitted light using a suitable light source. Otherwise, sufficiently bright reflected light shall be used. Any defects thus identified shall be compared with the agreed specification (which may be either a written specification or in the form of reference samples) and classified accordingly.

## 5.4 Dimensions

### 5.4.1 Thickness, $h$

The thickness,  $h$ , shall be measured using suitable calibrated equipment accurate to  $\leq 0,10\text{ mm}$ .

### 5.4.2 Length, $l$ , and width, $b$

The length,  $l$ , and width,  $b$ , shall be measured to the nearest 1 mm using suitable equipment. Measurements shall be made directly across the surface of the sheet and along the cut edge.

### 5.4.3 Rectangularity

The rectangularity, expressed as the difference between the lengths of the diagonals,  $|d_1 - d_2|$ , as shown in Figure 1, shall be measured to the nearest 1 mm using a graduated ruler or tape measure.

## 5.5 Density

The density shall be determined in accordance with the appropriate part of ISO 1183.

## 5.6 Determination of abrasion properties

Preparation of test specimens and abrasion testing shall be carried out in accordance with Annex B.

## 5.7 Tensile stress at yield, $\sigma_y$ , and tensile strain at yield, $\varepsilon_y$

The tensile stress at yield,  $\sigma_y$ , and tensile strain at yield,  $\varepsilon_y$ , shall be determined using at least five type 1B test specimens in each direction in accordance with ISO 527-2, using a test speed of  $50\text{ mm/min} \pm 5\text{ mm/min}$ .

## 5.8 Modulus of elasticity in tension, $E_t$

The modulus of elasticity in tension,  $E_t$ , shall be determined using at least five type 1B test specimens in each direction in accordance with ISO 527-2, using a test speed of  $1\text{ mm/min} \pm 0,2\text{ mm/min}$ .

**5.9 Impact strength of notched specimens**

**5.9.1 Charpy impact strength of double-notched specimens**

The Charpy impact strength of double-notched specimens shall be determined in accordance with ISO 11542-2.

**5.9.2 Charpy impact strength of single-notched specimens,  $a_{cN}$**

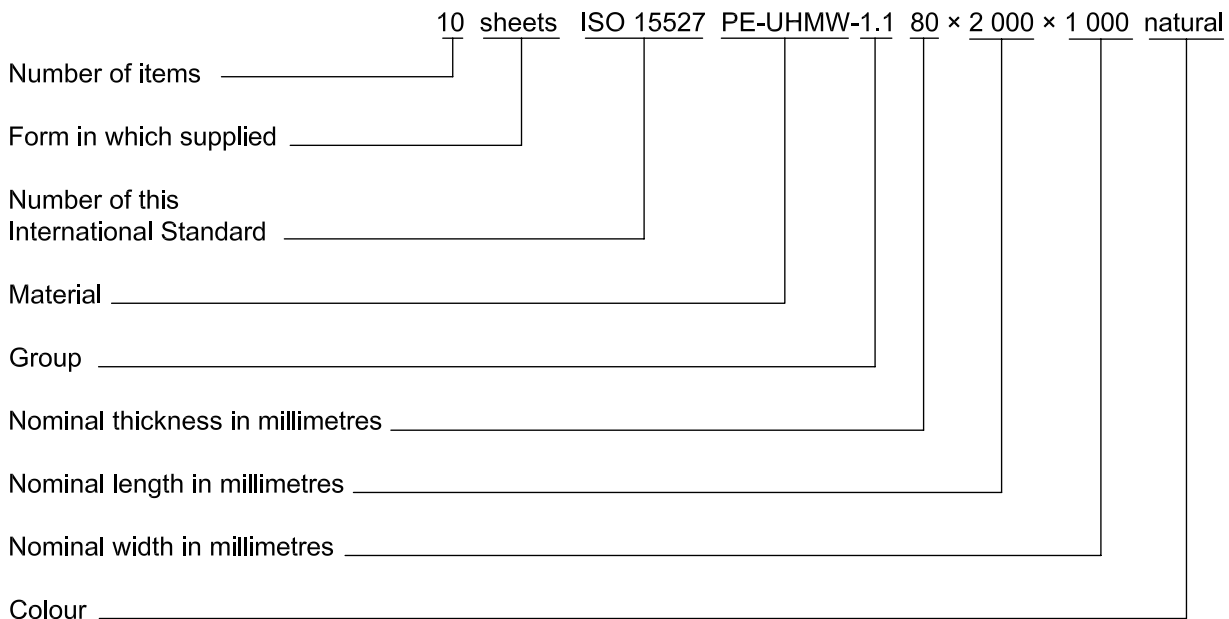
The Charpy impact strength of notched specimens,  $a_{cN}$ , shall be determined in accordance with ISO 179-1 (method 1eA), using at least 10 test specimens at  $23\text{ }^{\circ}\text{C} \pm 2\text{ }^{\circ}\text{C}$ .

**5.10 Melt mass-flow rate (MFR)**

If appropriate for the material being evaluated, the melt mass-flow rate shall be determined in accordance with ISO 1133 at a temperature of  $190\text{ }^{\circ}\text{C}$  and load of 5 kg, and at a temperature of  $190\text{ }^{\circ}\text{C}$  and load of 21,6 kg.

**6 Designation**

Example for PE-UHMW sheets:



**Designation:** 10/sheets/ISO 15527/PE-UHMW-1.1/80 × 2 000 × 1 000/natural

**7 Marking**

Sheets that conform to this International Standard may be marked with the following information:

- a) the manufacturer's name, trade mark or identification mark;
- b) the number of this International Standard, ISO 15527;
- c) the date of manufacture/batch number.

## Annex A (normative)

### Requirements for rectangularity

**Table A.1 — Maximum limits of deviation from rectangularity (see 4.2.3)**

Values in millimetres

Nominal sheet dimensions (length × width)	Maximum limit of deviation from rectangularity $ d_1 - d_2 $
2 000 × 1 000	7
2 000 × 1 500	9
2 000 × 2 000	11
3 000 × 1 000	7
3 000 × 1 500	11
3 000 × 2 000	13
4 000 × 2 000	14
6 000 × 1 000	8
6 000 × 1 500	11

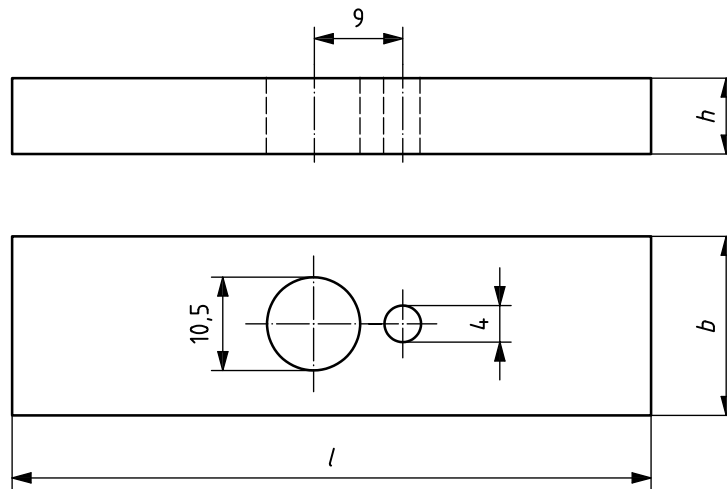
## Annex B (normative)

### Determination of abrasion properties

#### B.1 Sampling

Test specimens as shown in Figure B.1 shall be prepared by machining them from the sheet.

Dimensions in millimetres



Thickness, $h$	6,35 mm $\pm$ 0,10 mm
Width, $b$	25,40 mm $\pm$ 0,20 mm
Length, $l$	76,20 mm $\pm$ 0,20 mm

**Figure B.1 — Machined test specimen**

#### B.2 Testing

Carry out abrasion testing on at least two test specimens. Weigh the specimens before testing. Then, rotate the specimens for at least 3 h in a slurry of abrasive material in water, using an apparatus similar to that shown in Annex C. The rate of rotation shall be  $1\,200\text{ min}^{-1} \pm 200\text{ min}^{-1}$  and the temperature of the slurry shall not exceed 23 °C.

Use silica sand (grain size 0,2 mm to 1,0 mm) or aluminium oxide (grain size 0,2 mm to 1,0 mm) as the abrasive material. It is recommended that an abrasive/water slurry with a mass ratio of 3:2 be used.

After testing, weigh the test specimens again. The loss in mass of the test specimens shall be at least 50 mg.

For comparable test results, it is necessary to measure a reference specimen during each test. For the abrasion testing of PE-UHMW, a reference specimen made from material with an elongational stress of  $0,24\text{ MPa} \pm 0,01\text{ MPa}$  and/or a viscosity number of  $2\,300\text{ ml/g} \pm 100\text{ ml/g}$  (see ISO 11542-1) shall be used.

### B.3 Calculation

$$\text{Degree of abrasion} = \frac{\Delta m_s}{\Delta m_r} \times 100$$

where

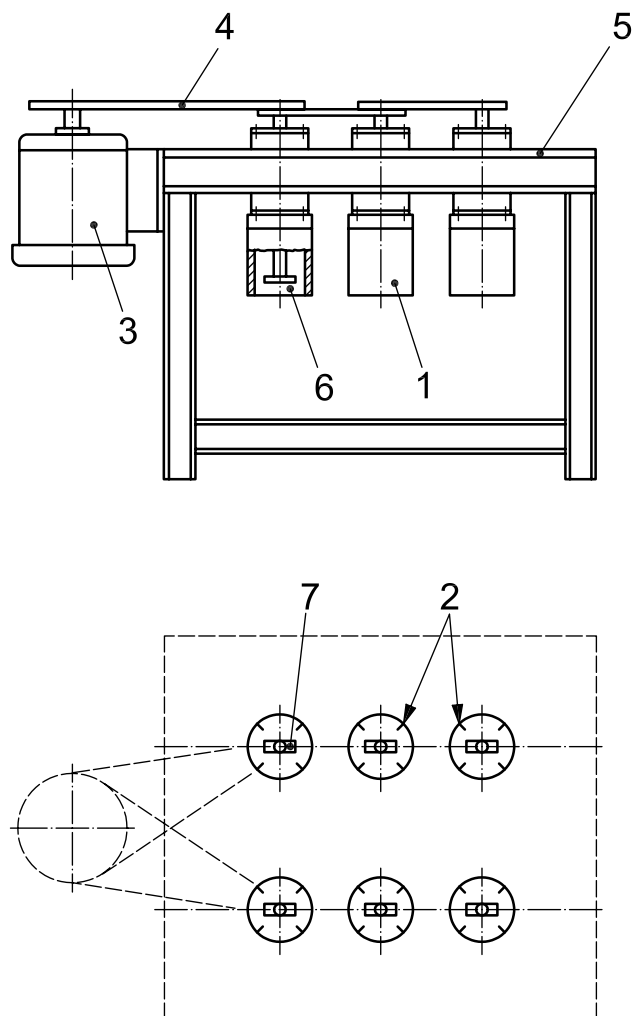
$\Delta m_s$  is the change in mass of the test specimen;

$\Delta m_r$  is the change in mass of the reference specimen.

## Annex C (informative)

### Example of apparatus for the determination of abrasion properties

The method used for the determination of the abrasion properties is given in Annex B.



**Key**

- 1 abrasion test cup (diameter 120 mm, rust-proof steel, with cooling jacket)
- 2 baffles
- 3 drive motor
- 4 belt drive
- 5 supporting structure
- 6 slurry of abrasive in water
- 7 specimen

**Figure C.1 — Example of test apparatus**

.....

---

---

**ICS 83.140.10**

Price based on 10 pages