

INTERNATIONAL STANDARD

ISO 15483

First edition
1999-08-01

Cross recessed raised countersunk head drilling screws with tapping screw thread

*Vis autoperceuses à tête fraisée bombée à empreinte cruciforme,
avec filetage de vis à tôle*



Reference number
ISO 15483:1999(E)

Foreword

ISO (the International Organization for Standardization) is a worldwide federation of national standards bodies (ISO member bodies). The work of preparing International Standards is normally carried out through ISO technical committees. Each member body interested in a subject for which a technical committee has been established has the right to be represented on that committee. International organizations, governmental and non-governmental, in liaison with ISO, also take part in the work. ISO collaborates closely with the International Electrotechnical Commission (IEC) on all matters of electrotechnical standardization.

International Standards are drafted in accordance with the rules given in the ISO/IEC Directives, Part 3.

Draft International Standards adopted by the technical committees are circulated to the member bodies for voting. Publication as an International Standard requires approval by at least 75 % of the member bodies casting a vote.

International Standard ISO 15483 was prepared by Technical Committee ISO/TC 2, *Fasteners*.

© ISO 1999

All rights reserved. Unless otherwise specified, no part of this publication may be reproduced or utilized in any form or by any means, electronic or mechanical, including photocopying and microfilm, without permission in writing from the publisher.

International Organization for Standardization
Case postale 56 • CH-1211 Genève 20 • Switzerland
Internet iso@iso.ch

Printed in Switzerland

Cross recessed raised countersunk head drilling screws with tapping screw thread

1 Scope

This International Standard specifies the characteristics of cross recessed raised countersunk head drilling screws with tapping screw threads from ST2,9 up to and including ST6,3.

2 Normative references

The following normative documents contain provisions which, through reference in this text, constitute provisions of this International Standard. For dated references, subsequent amendments to, or revisions of, any of these publications do not apply. However, parties to agreements based on this International Standard are encouraged to investigate the possibility of applying the most recent editions of the normative documents indicated below. For undated references, the latest edition of the normative document referred to applies. Members of ISO and IEC maintain registers of currently valid International Standards.

ISO 1478:1999, *Tapping screws thread*.

ISO 3269:—¹⁾, *Fasteners — Acceptance inspection*.

ISO 4042:1999, *Fasteners — Electroplated coatings*.

ISO 4757:1983, *Cross recesses for screws*.

ISO 4759-1:—²⁾, *Tolerances for fasteners — Part 1: Bolts, screws, studs and nuts — Product grades A, B and C*.

ISO 7721:1983, *Countersunk head screws — Head configuration and gauging*.

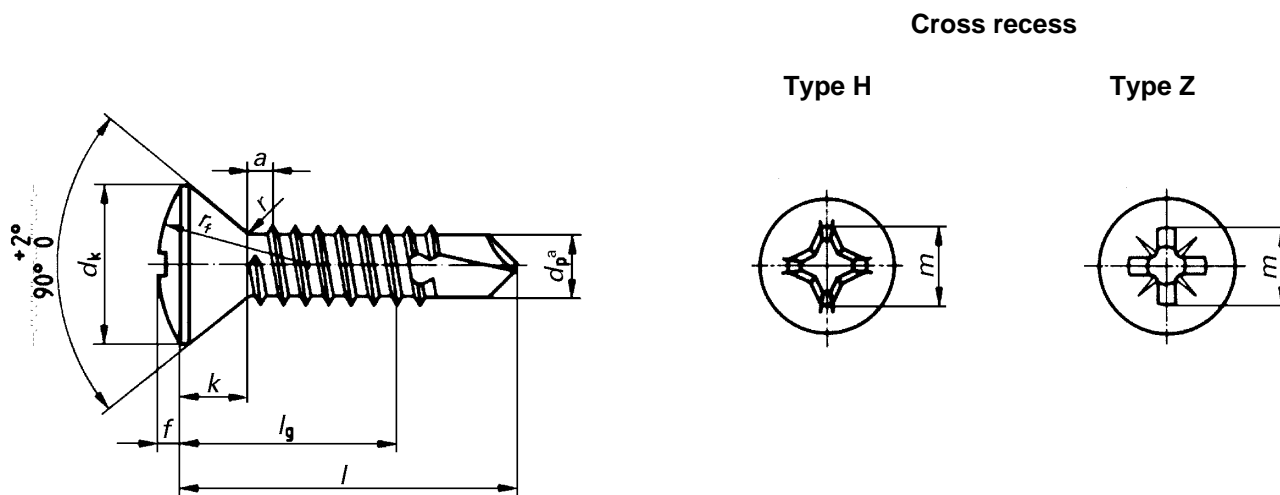
ISO 10666:1999, *Drilling screws with tapping screw thread — Mechanical and functional properties*.

¹⁾ To be published. (Revision of ISO 3269:1988)

²⁾ To be published. (Revision of ISO 4759-1:1978)

3 Dimensions

See Figure 1 and Table 1.



^a The function of the drilling point (diameter d_p) is specified in ISO 10666.

Figure 1

Table 1 — Dimensions

Dimensions in millimetres

Thread		ST2,9	ST3,5	ST4,2	ST4,8	ST5,5	ST6,3		
p^a		1,1	1,3	1,4	1,6	1,8	1,8		
a^b	max.	1,1	1,3	1,4	1,6	1,8	1,8		
d_k	theoretical ^c	max.	6,3	8,2	9,4	10,4	11,5	12,6	
	actual	max.	5,5	7,3	8,4	9,3	10,3	11,3	
		min.	5,2	6,9	8,0	8,9	9,9	10,9	
f	≈	0,7	0,8	1	1,2	1,3	1,4		
k	max.	1,7	2,35	2,6	2,8	3	3,15		
r	max.	1,2	1,4	1,6	2	2,2	2,4		
r_f	≈	6	8,5	9,5	9,5	11	12		
Cross recess	Recess No.		1	2		3			
	Type H	m ref.	3,4	4,8	5,2	5,4	6,7	7,3	
		Penetration	max.	2,2	2,75	3,2	3,4	3,45	4,0
			min.	1,8	2,25	2,7	2,9	2,95	3,5
	Type Z	m ref.	3,3	4,8	5,2	5,6	6,6	7,2	
		Penetration	max.	2,1	2,70	3,10	3,35	3,40	3,85
			min.	1,8	2,25	2,65	2,90	2,95	3,40
	Drilling range (sheet or plate thickness) ^d	from	0,7	0,7	1,75	1,75	1,75	2	
to		1,9	2,25	3	4,4	5,25	6		
nom.	l		l_g^e						
	min.	max.	min.						
13	12,1	13,9	6,6	6,2	4,3	3,7			
16	15,1	16,9	9,6	9,2	7,3	5,8	5		
19	18	20	12,5	12,1	10,3	8,7	8	7	
22	21	23		15,1	13,3	11,7	11	10	
25	24	26		18,1	16,3	14,7	14	13	
32	30,75	33,25			23	21,5	21	20	
38	36,75	39,25			29	27,5	27	26	
45	43,75	46,25				34,5	34	33	
50	48,75	51,25				39,5	39	38	

^a P is the pitch of the thread.

^b a is the distance from the underside of the head to the first major diameter of the thread.

^c See ISO 7721.

^d In order to determine the nominal length l it may be necessary to add an air gap (if present) to the individual sheet or plate thicknesses.

^e l_g is the distance from the underside of the head to the last major diameter of the thread.

4 Specifications and reference International Standards

See Table 2.

Table 2 — Specifications and reference International Standards

Material		Steel
	International Standard	ISO 10666
Thread	International Standard	ISO 1478
Cross recesses	International Standard	ISO 4757
Mechanical and functional properties	International Standard	ISO 10666
Tolerances	Product grade	A
	International Standard	ISO 4759-1
Finish		Plain
		Requirements for electroplating are covered in ISO 4042.
Acceptability		Acceptance procedure is covered in ISO 3269.

5 Designation

EXAMPLE A cross recessed raised countersunk head drilling screw with thread ST3,5, nominal length $l = 16$ mm and recess type Z is designated as follows:

Drilling screw ISO 15483 - ST3,5 × 16 - Z

ICS 21.060.10

Price based on 4 pages
