

INTERNATIONAL  
STANDARD

ISO  
15212-1

First edition  
1998-10-01

---

---

**Oscillation-type density meters —**

**Part 1:**  
Laboratory instruments

*Densimètres à oscillations —*

*Partie 1: Instruments de laboratoire*



Reference number  
ISO 15212-1:1998(E)

| <b>Contents</b>                                       | <b>Page</b> |
|---|-------------|
| <b>1 Scope</b> .....                                  | <b>1</b>    |
| <b>2 Normative references</b> .....                   | <b>1</b>    |
| <b>3 Definitions</b> .....                            | <b>2</b>    |
| <b>4 Principle and functional units</b> .....         | <b>2</b>    |
| <b>4.1 Measuring principle</b> .....                  | <b>2</b>    |
| <b>4.2 Functional units</b> .....                     | <b>2</b>    |
| <b>5 Density sensor</b> .....                         | <b>3</b>    |
| <b>5.1 Sensor material</b> .....                      | <b>3</b>    |
| <b>5.2 Sensor design</b> .....                        | <b>3</b>    |
| <b>6 Requirements and tests</b> .....                 | <b>4</b>    |
| <b>6.1 Oscillation system</b> .....                   | <b>4</b>    |
| <b>6.2 Temperature control and measurement</b> .....  | <b>5</b>    |
| <b>6.3 Displays</b> .....                             | <b>7</b>    |
| <b>6.4 Auxiliary units and data transfer</b> .....    | <b>7</b>    |
| <b>6.5 Safety requirements</b> .....                  | <b>8</b>    |
| <b>6.6 Electromagnetic compatibility</b> .....        | <b>8</b>    |
| <b>7 Adjustment</b> .....                             | <b>8</b>    |
| <b>8 Calibration</b> .....                            | <b>8</b>    |
| <b>8.1 Density reference liquids</b> .....            | <b>8</b>    |
| <b>8.2 Particular density reference liquids</b> ..... | <b>9</b>    |
| <b>8.3 Calibration requirements</b> .....             | <b>9</b>    |
| <b>8.4 Calibration procedure</b> .....                | <b>9</b>    |

© ISO 1998

All rights reserved. Unless otherwise specified, no part of this publication may be reproduced or utilized in any form or by any means, electronic or mechanical, including photocopying and microfilm, without permission in writing from the publisher.

International Organization for Standardization  
Case postale 56 • CH-1211 Genève 20 • Switzerland  
Internet iso@iso.ch

Printed in Switzerland

**9 Density meter accuracy ..... 10**

**10 Manual ..... 10**

**11 Marking ..... 11**

**Annex A (normative) Density and compressibility of pure water ..... 12**

**Annex B (normative) Density of moist air ..... 17**

**Annex C (informative) Bibliography ..... 20**

## Foreword

ISO (the International Organization for Standardization) is a worldwide federation of national standards bodies (ISO member bodies). The work of preparing International Standards is normally carried out through ISO technical committees. Each member body interested in a subject for which a technical committee has been established has the right to be represented on that committee. International organizations, governmental and non-governmental, in liaison with ISO, also take part in the work. ISO collaborates closely with the International Electrotechnical Commission (IEC) on all matters of electrotechnical standardization.

Draft International Standards adopted by the technical committees are circulated to the member bodies for voting. Publication as an International Standard requires approval by at least 75 % of the member bodies casting a vote.

International Standard ISO 15212-1 was prepared by Technical Committee ISO/TC 48, *Laboratory glassware and related apparatus*, Subcommittee SC 4, *Density measuring instruments*.

ISO 15212 consists of the following parts, under the general title *Oscillation-type density meters*:

- *Part 1: Laboratory instruments*
- *Part 2: Process instruments for liquids*

Annexes A and B form an integral part of this part of ISO 15212. Annex C is for information only.

# Oscillation-type density meters —

## Part 1: Laboratory instruments

### 1 Scope

This part of ISO 15212 specifies metrological and other requirements for oscillation-type density meters which are used in laboratories for all kinds of homogeneous fluid samples. In addition, a method for adjustment and calibration of laboratory instruments is given. The instruments are either stand-alone units or part of more complex measuring equipment supplying additional test parameters of the sample.

This part of ISO 15212 does not describe the method of use of density meters for particular applications or products such as petroleum products or beverages. Such methods of use can be defined by relevant institutions such as ISO or responsible government agencies.

This part of ISO 15212 does not define an instrument specification for any particular application. For this information reference should be made to the relevant standard covering the method of use.

This part of ISO 15212 is addressed to manufacturers of density meters and to bodies testing and certifying the conformity of density meters. In addition, this part of ISO 15212 gives recommendations for adjustment and calibration of density meters by the user.

### 2 Normative references

The following standards contain provisions which, through reference in this text, constitute provisions of this part of ISO 15212. At the time of publication, the editions indicated were valid. All standards are subject to revision, and parties to agreements based on this part of ISO 15212 are encouraged to investigate the possibility of applying the most recent editions of the standards indicated below. Members of IEC and ISO maintain registers of currently valid International Standards.

ISO 3585:1998, *Borosilicate glass 3.3 — Properties*.

ISO 3696:1987, *Water for analytical laboratory use — Specification and test methods*.

IEC 61010-1:1990, *Safety requirements for electrical equipment for measurement, control and laboratory use — Part 1: General requirements*.

IEC 61326-1:1997, *Electrical equipment for measurement, control and laboratory use — EMC requirements — Part 1: General requirements*.

IEC 61326-1:—<sup>1)</sup>, Amendment 1.

---

1) To be published.

### 3 Definitions

For the purposes of this part of ISO 15212, the following definitions apply.

NOTE The definitions and terms used are in agreement with the "*International Vocabulary of Basic and General Terms in Metrology*".

#### 3.1

**adjustment** (of a density meter)

operation of bringing the instrument to a state of performance suitable for its use, by setting or adjusting the density instrument constants

NOTE By adjustment, systematic measuring deviations are removed to an extent which is necessary for the provided application. Adjustment demands an intervention which permanently modifies the instrument.

#### 3.2

**calibration** (of a density meter)

set of operations that establishes the relationship between the reference density of standards and the corresponding density reading of the instrument

NOTE By calibration, no intervention is made which permanently modifies, for example, the instrument constants set during the adjustment procedure.

#### 3.3

**parasitic resonant points** (of a density meter)

those oscillation frequencies at which the natural frequency of the density sensor is affected by oscillations of the "counter mass", comprising the rest of the instrument

## 4 Principle and functional units

### 4.1 Measuring principle

The sensors used in density meters are electrically or mechanically induced oscillating systems, whose oscillation frequencies or periods are a function of the sample density. Depending on the sensor design, the sensor can either contain the fluid sample or be immersed in it. Instrument constants of the adjusted density meter are used to calculate the sample density from the oscillation frequency or oscillation period.

### 4.2 Functional units

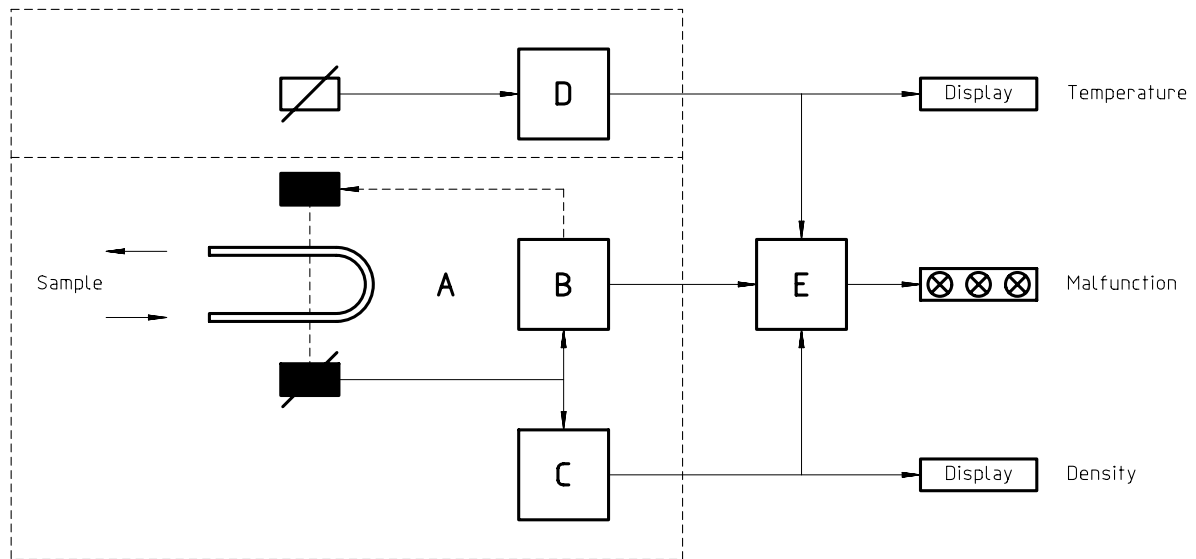
Oscillation-type density meters shall consist of the following functional units:

- a) a density sensor capable of either being filled with the sample or of being immersed in it;
- b) a device to excite and control sensor oscillation;
- c) a device to determine and display the density and the oscillation frequency or period;
- d) a device to determine and display the sample temperature for which the measured density is valid;
- e) a system to detect and display malfunctions and operator errors.

The functional units a) to c) are designated as the oscillation system. In addition, oscillation-type density meters can incorporate the following functional units:

- f) a unit for controlling the temperature of the sample and density sensor;
- g) sampling devices;
- h) sensor cleaning devices.

All functional units a) to h) can be integrated into a single instrument or can be separate units.



### Key

- |   |                               |   |                                |
|---|-------------------------------|---|--------------------------------|
| A | Density sensor (4.2a)         | D | Temperature measurement (4.2d) |
| B | Excitation transmitter (4.2b) | E | Functional monitoring (4.2e)   |
| C | Signal evaluation (4.2c)      |   |                                |

**Figure 1 — Functional units of a density meter**

## 5 Density sensor

### 5.1 Sensor material

Density sensor materials can be, for example, borosilicate glass 3.3 in accordance with ISO 3585, metal, metal alloys or plastics. The material is considered to be suitable if it shows in resistance tables the highest class of resistance against the samples to be measured and the cleaning agents to be used in the density meter. Erosion as well as special forms of corrosion shall be considered in this respect. Where there is no literature or practical data available, the resistance of the sensor material should be tested as follows.

- Weigh a clean and dry test piece identical to the sensor material. The maximum permissible error of the balance shall not exceed 0,01 % of the test-piece mass.
- Immerse the test piece in the fluid to be measured with the sensor, under the intended measuring conditions, e.g. temperature and pressure.
- After 12 h remove, clean, dry and weigh the test piece.

The sensor material is considered to be resistant if the mass of the test piece is changed by the test procedure by less than  $\pm 0,05$  %.

### 5.2 Sensor design

Density sensors can be designed as straight, U-formed or omega-formed tubes. Other designs are tuning-forks, cylinders, bells or membranes. All designs which conform to the functional principle in accordance with 4.1 can be constructed.

## 6 Requirements and tests

All the tests of clause 6 are intended to be type tests.

### 6.1 Oscillation system

#### 6.1.1 Drift

**6.1.1.1** Within 24 h, the drift of the displayed density  $\Delta\rho_{24}$  at a constant temperature of 20 °C shall not exceed 1 % of the maximum permissible error specified by the manufacturer of the instrument.

If the density meter is not designed for a measuring temperature of 20 °C, the drift at the mean measuring temperature of the density meter shall not exceed 5 % of the specified maximum permissible error.

**6.1.1.2** Switch on the instrument and allow the temperature to equilibrate for 24 h.

Adjust the instrument (see clause 7) in accordance with the manufacturer's instructions.

Fill the instrument three times and measure the density of water of Grade 2 in accordance with ISO 3696 at  $(20 \pm 0,1)$  °C. Record the mean value of the threefold measurement  $\rho_1$ .

Repeat the measurement (without a new adjustment) and repeat the mean value calculation  $\rho_2$  after a minimum of 10 days. The instrument and thermostating device shall be in operation during the whole test procedure.

To calculate the drift, use the following equation:

$$\Delta\rho_{24} = \frac{\rho_2 - \rho_1}{\Delta t}$$

where  $\Delta t$  is the difference in days between the two threefold measurements.

If the density meter is not designed for a measuring temperature of 20 °C, testing shall be performed at the mean measuring temperature of the density meter.

#### 6.1.2 Effect of sample viscosity

**6.1.2.1** The oscillation system shall be constructed in such a way that the maximum permissible errors conform to the requirements of clause 9 when measuring samples of different viscosities and, where appropriate, with different sound velocities.

**6.1.2.2** Use Newtonian liquids of known densities and viscosities as well as, where appropriate, known densities and sound velocities which suit the intended application of the density meter. The liquids shall be non-corrosive to the materials of the density sensor. Testing shall be performed in accordance with clause 9.

#### 6.1.3 Deviation between sample and sensor temperatures

**6.1.3.1** The oscillation system shall be constructed and built in such a way that the deviation between sample temperature and sensor temperature at the moment of display of the result does not exceed the values given in 6.2.

**6.1.3.2** Check the displayed density of the instrument over a defined time period. For this

- switch on the instrument and set the measurement temperature to 20 °C;
- temperate the instrument for 24 h;
- precondition to 30 °C a reference liquid with high thermal density dependency;
- fill the density sensor with the preconditioned reference liquid.



The first density value displayed by the instrument as valid or read from the instrument after a time period specified by the manufacturer is compared with the density value displayed after 10 min. The difference between the two values shall not exceed 20 % of the maximum permissible error specified for the density meter by the manufacturer.

NOTE Bromobenzene or *n*-nonane are suitable examples of reference liquids for this test.

**Warning: Bromobenzene is a hazardous substance and may not be permitted under Safety Regulations.**

If the density meter is not designed for a measuring temperature of 20 °C, testing shall be performed at the mean measuring temperature of the density meter.

#### 6.1.4 Effect of oscillations

**6.1.4.1** Measurement deviations arising from the effect of oscillations of instrument parts on the density sensor shall not exceed 20 % of the maximum permissible error, specified for the density meter by the manufacturer, over the whole measuring range.

**6.1.4.2** Examine the oscillatory characteristics of the built-in density sensor provided by the manufacturer. This test may not show, over the whole density measurement range, any parasitic resonant points (see 3.3) whose effects exceed 20 % of the maximum permissible error specified for the density meter by the manufacturer.

### 6.2 Temperature control and measurement

#### 6.2.1 Requirement

The temperature sensor shall be built-in or a separate temperature unit shall be fitted in such a way that good thermal contact with the sample is guaranteed. The deviation between the displayed and actual sample temperatures shall not be greater than the maximum permissible error of the density meter multiplied by the factor  $0,2 \text{ } ^\circ\text{C}\cdot\text{kg}^{-1}\cdot\text{m}^3$ .

NOTE For the definition of this factor, an extreme thermal density deviation of  $2,4 \text{ kg}\cdot\text{m}^{-3}\cdot\text{K}^{-1}$  has been assumed.

If the application range of the density meter is limited to aqueous samples and water-containing mixtures, the factor to be multiplied by the maximum permissible error can be increased to  $0,5 \text{ } ^\circ\text{C}\cdot\text{kg}^{-1}\cdot\text{m}^3$ .

#### 6.2.2 Test conditions

The measurement of the temperature deviation between displayed and actual sample temperatures shall be performed by direct temperature measurement inside the density sensor or by indirect measurement.

The indirect test shall be performed by adjustment of the instrument (see clause 7), followed by calibration (see 8.4) of the density meter with two reference liquids, specially selected for this test (see 8.2), at the following test temperatures:

- at 20 °C;
- at a temperature near the lower limit of the temperature measurement range of the density meter; and
- at a temperature near the upper limit of the temperature measurement range.

If the density meter is not designed for the measurement temperature of 20 °C, the test shall be performed at the mean measurement temperature of the instrument.

The density values of the reference liquids, selected for this test (see 8.2), shall not exceed a density difference of  $300 \text{ kg}\cdot\text{m}^{-3}$ ; the reference liquids shall have a different thermal density dependency  $d\rho/d\theta$ .

#### 6.2.3 Test procedure

Clean the density sensor and switch on the instrument according to the manufacturer's instructions.

Attemperate the sensor at  $(20 \pm 0,1) \text{ } ^\circ\text{C}$  for 24 h.

Adjust (see clause 7) the instrument according to the manufacturer's instructions.

Calibrate the instrument according to 8.4 using the first selected reference liquid according to 8.2. Record the error of measurement  $\Delta\rho_3$ .

Calibrate the instrument using the second selected reference liquid. Record  $\Delta\rho_4$ .

NOTE If the instrument has been adjusted (see clause 7) with water according to Grade 2 of ISO 3696, and if the reference liquid (see 8.2) for the first calibration is different from water, this second calibration may be omitted.

Repeat the test procedure at the two other temperatures.

#### 6.2.4 Evaluation of the test

Calculate the viscosity correction  $C_{\rho_3(\eta_3)}$  for the viscosity  $\eta_3$  and density  $\rho_3$  of the first reference liquid at the three test temperatures according to the manufacturer's instructions. Subtract the viscosity correction from the recorded error of measurement  $\Delta\rho_3$ :

$$C_{\rho_3} = \Delta\rho_3 - C_{\rho_3(\eta_3)}$$

Perform the same calculation for the second reference liquid:

$$C_{\rho_4} = \Delta\rho_4 - C_{\rho_4(\eta_4)}$$

Calculate the proximity value  $D_\theta$  for the deviation between the indicated temperature and the actual sample temperature in the density sensor at each of the three test temperatures according to the equation:

$$D_\theta = 0,75 \times \frac{|C_{\rho_4} - C_{\rho_3}|}{|(d\rho_3/d\theta) - (d\rho_4/d\theta)|}$$

where

$d\rho_3/d\theta$  is the thermal density dependency of the first reference liquid;

$d\rho_4/d\theta$  is the thermal density dependency of the second reference liquid.

NOTE 1 The correction factor 0,75 assumes that 25 % of the measurement deviations are not due to temperature deviations.

None of the three calculated proximity values  $D_\theta$  shall exceed the maximum permissible error of the instrument multiplied by the factor  $0,2 \text{ }^\circ\text{C}\cdot\text{m}^3\cdot\text{kg}^{-1}$  or  $0,5 \text{ }^\circ\text{C}\cdot\text{m}^3\cdot\text{kg}^{-1}$ .

NOTE 2 If the instrument has been adjusted with water according to Grade 2 of ISO 3696 and the second calibration has been omitted, the term  $C_{\rho_4}$  can be cancelled in the last equation and  $d\rho_4/d\theta$  equals the thermal density dependency of water, calculated from the values given in table A.1 of annex A. Under these circumstances, *n*-nonane or *n*-dodecane are well suited reference liquids for this test. The thermal density dependencies are as follows:

$$d\rho_{\text{non}}/d\theta = -0,78 \text{ kg}\cdot\text{m}^{-3}\cdot^\circ\text{C}^{-1}$$

$$d\rho_{\text{dod}}/d\theta = -0,73 \text{ kg}\cdot\text{m}^{-3}\cdot^\circ\text{C}^{-1}$$

## 6.3 Displays

### 6.3.1 Display of results

The displays shall be designed in such a way that

- the density is displayed in kg/m<sup>3</sup> or g/cm<sup>3</sup> together with the measurement unit;
- the resolution of the density display on a digital scale corresponds to table 1;
- the scale interval on an analog scale is equal to the maximum permissible error (see table 1) and the spacing of the scale marks is 1 mm minimum.

**Table 1 — Resolution and maximum permissible errors**

| Maximum permissible error<br>kg/m <sup>3</sup> | Resolution<br>kg/m <sup>3</sup> | Factor |
|--|---------------------------------|--------|
| 1,0  | 0,1                             | 1/10   |
| 0,5  | 0,1                             | 1/5    |
| 0,20   | 0,01                            | 1/20   |
| 0,10   | 0,01                            | 1/10   |
| 0,05   | 0,01                            | 1/5    |

Density instruments for special applications (e.g. scientific research) may have a resolution of the density display of 0,001 kg/m<sup>3</sup> or 0,000 001 g/cm<sup>3</sup>, if the specified maximum permissible error does not exceed 0,1 kg/m<sup>3</sup> or 0,0001 g/cm<sup>3</sup> and if the least significant digit is unambiguously marked (e.g. by distinction in size or colour).

### 6.3.2 Additional displays

The displays shall be designed in such a way that

- the oscillation period or frequency is displayed on request and is clearly distinguished from the density display;
- the temperature of the liquid is displayed in degrees Celsius;
- the measurement unit is displayed together with the measurement value;
- the malfunctions are displayed;
- the instrument constants are displayed on request.

Additional instrument data, if available, may be displayed on request.

With a battery-powered density meter, the displayed values shall be clearly recognized as invalid if the lower or upper limit of the operating voltage is exceeded.

A visual check shall be carried out to ensure that the resolution of the density display complies with the manufacturer's specification in accordance with clause 9.

## 6.4 Auxiliary units and data transfer

If the density meter consists of several separated units or if additional devices are connected, the data shall be transferred unchanged and unaffected.

Additional devices for showing measured data shall display those unchanged and unaffected.

The interfaces, data transfer and additional units shall be clearly defined and shall work without susceptibility to interferences, i.e. they shall not influence the data nor cause any malfunctions.

If the interfaces, data transfer and additional units differ from these definitions or are faulty, the display of the measured data shall be clearly recognized as invalid.

## 6.5 Safety requirements

The safety requirements according to IEC 61010-1 shall be followed, as far as they are applicable to oscillation-type density meters.

Testing shall be in accordance with IEC 61010-1.

## 6.6 Electromagnetic compatibility

The EMC requirements specified in IEC 61326-1 and its amendment shall be followed as far as they are applicable to oscillation-type density meters.

Testing shall be in accordance with the above-mentioned standards.

## 7 Adjustment

The density meters shall be adjusted according to the manufacturer's instructions. Adjustment is performed by determining and setting of the instrument constants (see clause 3). At least the last 50 sets of constants shall be permanently stored automatically in the density meter.

Normally, adjustment can be performed with air and water of Grade 2 in accordance with ISO 3696, and should be performed at the intended measurement temperature. The density values of water are specified in table A.1 and the density values of moist air are specified in table B.1.

After each maintenance of the instrument, an adjustment of the density meter shall be performed.

## 8 Calibration

### 8.1 Density reference liquids

For testing and calibrating density meters in accordance with this part of ISO 15212, reference liquids shall be used whose density values and, if required, viscosities and sound velocities are known within the intended working range of temperature, pressure and flow.

The density values of the reference liquids shall be determined in a manner traceable to national standards. They shall have a certified uncertainty at the 95 % confidence level ( $k = 2$ ) that is not greater than 30 % of the maximum permissible error of the density meter to be tested.

If water of Grade 2 in accordance with ISO 3696 is used as a test or reference liquid, the quality of this water shall be regularly checked and documented. The density values of water listed in table A.1 of annex A shall be applied.

The electrical conductivity of water should preferably be used for quality control. The conductivity of freshly prepared water (Grade 1 in accordance with ISO 3696) should not exceed 0,01 mS·m<sup>-1</sup>.

The reference liquids shall be selected with regard to the use of the density meter, i.e. their properties shall meet the application of the instrument.

## 8.2 Particular density reference liquids

The density values of reference liquids, used for testing of temperature control and measuring (see 6.2), shall be certified at the 95 % confidence level ( $k = 2$ ) as function of their thermal density dependency:

- up to  $1,0 \text{ kg} \cdot \text{m}^{-3} \cdot \text{K}^{-1}$  with an uncertainty of  $0,01 \text{ kg} \cdot \text{m}^{-3}$ ,
- from  $1,0$  to  $1,7 \text{ kg} \cdot \text{m}^{-3} \cdot \text{K}^{-1}$  with an uncertainty of  $0,02 \text{ kg} \cdot \text{m}^{-3}$ ,
- from more than  $1,7 \text{ kg} \cdot \text{m}^{-3} \cdot \text{K}^{-1}$  with an uncertainty of  $0,03 \text{ kg} \cdot \text{m}^{-3}$ .

The thermal temperature dependency shall be certified at the 95 % confidence level ( $k = 2$ ) with an uncertainty not exceeding 10 % of the thermal density dependency. The viscosities of these reference liquids shall be known and shall not exceed 5 mPa·s.

## 8.3 Calibration requirements

For validation of the density meter accuracy, e.g. according to clause 9, calibration shall be performed by measurement of the density of the the density reference liquids (see 8.1) with known densities and, if required, known viscosities and sound velocities. The density indicated by the instrument is compared with the appropriate certified densities of these reference liquids.

Calibration shall be performed within the density measuring range and within the working ranges of temperature and viscosity and, where appropriate, pressure, flow and sound velocity, which are suitable for the density meter.

Calibration points shall be selected which lie close to the lower and upper limit and in the middle of the respective density measuring range. The positions of the calibration points depend upon the selected reference liquids as well as upon the set temperature and pressure.

If the working temperature range includes 20 °C, one calibration point shall be at this temperature.

The densities shall be determined at each calibration point from three independent measurements. The calculated mean value is the calibration result at the selected calibration point.

Each calibration is related to the actual set instrument constants. Due to this, the declaration of the instrument constants shall be reported with the calibration result.

## 8.4 Calibration procedure

For validation of the density meter accuracy, e.g. according to clause 9, perform calibration at each selected calibration point and at constant measuring temperature and pressure, as follows.

Switch on the instrument and adjust the measurement temperature in accordance with the manufacturer's instructions.

Clean the density sensor according to the manufacturer's instructions (see clause 10).

Allow the sensor to equilibrate until the temperature is constant.

**NOTE** The delay time until temperature equilibrium is reached depends upon the type of instrument and upon the change of temperature compared to previous measuring temperatures. The delay time can be 24 h and should be selected according to the manufacturer's instructions.

Fill the instrument three times with the selected reference liquid and measure the density.

Calculate the mean value  $\bar{\rho}$  of the indicated values  $\rho_i$

$$\bar{\rho} = \frac{1}{3} \sum_{i=1}^3 \rho_i$$

Calculate the error of measurement  $\Delta\rho$  as the difference between the mean value  $\bar{\rho}$  and the certified density  $\rho_R$  of the selected reference liquid

$$\Delta\rho = \bar{\rho} - \rho_R$$

Clean the density sensor according to the manufacturer's instructions.

## 9 Density meter accuracy

The maximum permissible error for the adjusted density meter is 1 kg/m<sup>3</sup> (0,001 g/cm<sup>3</sup>). If lower values are defined by the manufacturer, these shall correspond to the values in table 1.

The density meter may be designed for more than one maximum permissible error depending on its operation mode, measurement range, and on ambient conditions and sample properties. Switching between these error limits can be performed automatically or manually.

The set limit of permissible error shall be indicated on the front plate of the density meter in a clear and unmistakable way.

The test of compliance with the maximum permissible error shall be performed by calibrating the density meter in accordance with 8.3 and 8.4.

The measured deviations of the reference liquids used for calibration shall not exceed at any calibration point the maximum permissible error, specified by the manufacturer according to table 1. The density values of the reference liquids shall be taken from annex A (for water according to ISO 3696), from literature or from the certificates accompanying the liquids.

## 10 Manual

Each density meter shall be accompanied by a manual containing sufficient information so that a competent operator can adjust, calibrate and use the density meter correctly without recourse to other assistance.

It shall contain complete information on at least the following:

- transport and storage requirements;
- installation and setup including environmental conditions, and if required its installation position;
- operation and maintenance;
- the maintenance interval with respect to specific applications;
- safety rules for using the density meter;
- adjustment (determination and setting of instrument constants);
- measurement of the liquid density;
- measurement of the liquid temperature;

- temperature setting, if the density meter has a device for thermostating the liquid;
- working ranges of density, temperature, viscosity, pressure, and flow;
- maximum permissible errors, resolution, repeatability (in terms of standard deviation), and time-dependent stability within the working ranges;
- equations to calculate the instrument constants and the density;
- cleaning and suitable cleaning solutions;
- avoidance of operation and measurement errors;
- liquids that chemically attack the oscillating sensor;
- permissible ambient conditions;
- permissible vibrations;
- error messages.

## 11 Marking

The density meter shall be clearly labelled with the following information:

- a) name or mark of the manufacturer or supplier,
- b) type designation,
- c) instrument or serial number.

On the front panel of the density meter the actual maximum permissible error shall be indicated or stated.

## Annex A (normative)

### Density and compressibility of pure water

**Table A.1 — Density  $\rho_w$  of pure water as function of the temperature  $t_{90}$  according to the international temperature scale from 1990**

Density values in kg/m<sup>3</sup>

| $t_{90}$<br>°C |        |        |        |        |        |        |        |        |        |        | $t_{90}$<br>°C |
|----------------|--------|--------|--------|--------|--------|--------|--------|--------|--------|--------|----------------|
| 0              | 0,1    | 0,2    | 0,3    | 0,4    | 0,5    | 0,6    | 0,7    | 0,8    | 0,9    | 0      |                |
| 0              | 999,84 | 999,85 | 999,85 | 999,86 | 999,87 | 999,87 | 999,88 | 999,88 | 999,89 | 999,89 | 0              |
| 1              | 999,90 | 999,90 | 999,91 | 999,91 | 999,92 | 999,92 | 999,93 | 999,93 | 999,93 | 999,94 | 1              |
| 2              | 999,94 | 999,94 | 999,95 | 999,95 | 999,95 | 999,95 | 999,96 | 999,96 | 999,96 | 999,96 | 2              |
| 3              | 999,96 | 999,97 | 999,97 | 999,97 | 999,97 | 999,97 | 999,97 | 999,97 | 999,97 | 999,97 | 3              |
| 4              | 999,97 | 999,97 | 999,97 | 999,97 | 999,97 | 999,97 | 999,97 | 999,97 | 999,97 | 999,97 | 4              |
| 5              | 999,96 | 999,96 | 999,96 | 999,96 | 999,96 | 999,95 | 999,95 | 999,95 | 999,95 | 999,94 | 5              |
| 6              | 999,94 | 999,94 | 999,93 | 999,93 | 999,93 | 999,92 | 999,92 | 999,91 | 999,91 | 999,91 | 6              |
| 7              | 999,90 | 999,90 | 999,89 | 999,89 | 999,88 | 999,88 | 999,87 | 999,87 | 999,86 | 999,85 | 7              |
| 8              | 999,85 | 999,84 | 999,84 | 999,83 | 999,82 | 999,82 | 999,81 | 999,80 | 999,80 | 999,79 | 8              |
| 9              | 999,78 | 999,77 | 999,77 | 999,76 | 999,75 | 999,74 | 999,73 | 999,73 | 999,72 | 999,71 | 9              |
| 10             | 999,70 | 999,69 | 999,68 | 999,67 | 999,66 | 999,65 | 999,64 | 999,63 | 999,62 | 999,61 | 10             |
| 11             | 999,60 | 999,59 | 999,58 | 999,57 | 999,56 | 999,55 | 999,54 | 999,53 | 999,52 | 999,51 | 11             |
| 12             | 999,50 | 999,49 | 999,47 | 999,46 | 999,45 | 999,44 | 999,43 | 999,41 | 999,40 | 999,39 | 12             |
| 13             | 999,38 | 999,36 | 999,35 | 999,34 | 999,33 | 999,31 | 999,30 | 999,29 | 999,27 | 999,26 | 13             |
| 14             | 999,24 | 999,23 | 999,22 | 999,20 | 999,19 | 999,17 | 999,16 | 999,14 | 999,13 | 999,11 | 14             |
| 15             | 999,10 | 999,08 | 999,07 | 999,05 | 999,04 | 999,02 | 999,01 | 998,99 | 998,97 | 998,96 | 15             |
| 16             | 998,94 | 998,93 | 998,91 | 998,89 | 998,88 | 998,86 | 998,84 | 998,83 | 998,81 | 998,79 | 16             |
| 17             | 998,77 | 998,76 | 998,74 | 998,72 | 998,70 | 998,69 | 998,67 | 998,65 | 998,63 | 998,61 | 17             |
| 18             | 998,59 | 998,58 | 998,56 | 998,54 | 998,52 | 998,50 | 998,48 | 998,46 | 998,44 | 998,42 | 18             |
| 19             | 998,40 | 998,38 | 998,36 | 998,35 | 998,33 | 998,31 | 998,28 | 998,26 | 998,24 | 998,22 | 19             |

*continued*



Table A.1 (continued)

| $t_{90}$ |        |        |        |        |        |        |        |        |        |        | $t_{90}$ |
|----------|--------|--------|--------|--------|--------|--------|--------|--------|--------|--------|----------|
| °C       | 0      | 0,1    | 0,2    | 0,3    | 0,4    | 0,5    | 0,6    | 0,7    | 0,8    | 0,9    | °C       |
| 20       | 998,20 | 998,18 | 998,16 | 998,14 | 998,12 | 998,10 | 998,08 | 998,06 | 998,03 | 998,01 | 20       |
| 21       | 997,99 | 997,97 | 997,95 | 997,93 | 997,90 | 997,88 | 997,86 | 997,84 | 997,81 | 997,79 | 21       |
| 22       | 997,77 | 997,75 | 997,72 | 997,70 | 997,68 | 997,65 | 997,63 | 997,61 | 997,58 | 997,56 | 22       |
| 23       | 997,54 | 997,51 | 997,49 | 997,47 | 997,44 | 997,42 | 997,39 | 997,37 | 997,34 | 997,32 | 23       |
| 24       | 997,30 | 997,27 | 997,25 | 997,22 | 997,20 | 997,17 | 997,15 | 997,12 | 997,09 | 997,07 | 24       |
| 25       | 997,04 | 997,02 | 996,99 | 996,97 | 996,94 | 996,91 | 996,89 | 996,86 | 996,84 | 996,81 | 25       |
| 26       | 996,78 | 996,76 | 996,73 | 996,70 | 996,67 | 996,65 | 996,62 | 996,59 | 996,57 | 996,54 | 26       |
| 27       | 996,51 | 996,48 | 996,46 | 996,43 | 996,40 | 996,37 | 996,34 | 996,32 | 996,29 | 996,26 | 27       |
| 28       | 996,23 | 996,20 | 996,17 | 996,15 | 996,12 | 996,09 | 996,06 | 996,03 | 996,00 | 995,97 | 28       |
| 29       | 995,94 | 995,91 | 995,88 | 995,85 | 995,82 | 995,79 | 995,77 | 995,74 | 995,71 | 995,68 | 29       |
| 30       | 995,64 | 995,61 | 995,58 | 995,55 | 995,52 | 995,49 | 995,46 | 995,43 | 995,40 | 995,37 | 30       |
| 31       | 995,34 | 995,31 | 995,28 | 995,25 | 995,21 | 995,18 | 995,15 | 995,12 | 995,09 | 995,06 | 31       |
| 32       | 995,02 | 994,99 | 994,96 | 994,93 | 994,90 | 994,86 | 994,83 | 994,80 | 994,77 | 994,73 | 32       |
| 33       | 994,70 | 994,67 | 994,63 | 994,60 | 994,57 | 994,54 | 994,50 | 994,47 | 994,44 | 994,40 | 33       |
| 34       | 994,37 | 994,34 | 994,30 | 994,27 | 994,23 | 994,20 | 994,17 | 994,13 | 994,10 | 994,06 | 34       |
| 35       | 994,03 | 993,99 | 993,96 | 993,93 | 993,89 | 993,86 | 993,82 | 993,79 | 993,75 | 993,72 | 35       |
| 36       | 993,68 | 993,65 | 993,61 | 993,58 | 993,54 | 993,50 | 993,47 | 993,43 | 993,40 | 993,36 | 36       |
| 37       | 993,33 | 993,29 | 993,25 | 993,22 | 993,18 | 993,14 | 993,11 | 993,07 | 993,04 | 993,00 | 37       |
| 38       | 992,96 | 992,93 | 992,89 | 992,85 | 992,81 | 992,78 | 992,74 | 992,70 | 992,67 | 992,63 | 38       |
| 39       | 992,59 | 992,55 | 992,52 | 992,48 | 992,44 | 992,40 | 992,36 | 992,33 | 992,29 | 992,25 | 39       |
| 40       | 992,21 | 992,17 | 992,14 | 992,10 | 992,06 | 992,02 | 991,98 | 991,94 | 991,90 | 991,86 | 40       |
| 41       | 991,83 | 991,79 | 991,75 | 991,71 | 991,67 | 991,63 | 991,59 | 991,55 | 991,51 | 991,47 | 41       |
| 42       | 991,43 | 991,39 | 991,35 | 991,31 | 991,27 | 991,23 | 991,19 | 991,15 | 991,11 | 991,07 | 42       |
| 43       | 991,03 | 990,99 | 990,95 | 990,91 | 990,87 | 990,83 | 990,79 | 990,75 | 990,71 | 990,66 | 43       |
| 44       | 990,62 | 990,58 | 990,54 | 990,50 | 990,46 | 990,42 | 990,38 | 990,33 | 990,29 | 990,25 | 44       |
| 45       | 990,21 | 990,17 | 990,12 | 990,08 | 990,04 | 990,00 | 989,96 | 989,91 | 989,87 | 989,83 | 45       |
| 46       | 989,79 | 989,74 | 989,70 | 989,66 | 989,62 | 989,57 | 989,53 | 989,49 | 989,44 | 989,40 | 46       |
| 47       | 989,36 | 989,31 | 989,27 | 989,23 | 989,18 | 989,14 | 989,10 | 989,05 | 989,01 | 988,97 | 47       |
| 48       | 988,92 | 988,88 | 988,83 | 988,79 | 988,75 | 988,70 | 988,66 | 988,61 | 988,57 | 988,52 | 48       |
| 49       | 988,48 | 988,43 | 988,39 | 988,35 | 988,30 | 988,26 | 988,21 | 988,17 | 988,12 | 988,08 | 49       |

continued

Table A.1 (continued)

| $t_{90}$ |        |        |        |        |        |        |        |        |        |        | $t_{90}$ |
|----------|--------|--------|--------|--------|--------|--------|--------|--------|--------|--------|----------|
| °C       | 0      | 0,1    | 0,2    | 0,3    | 0,4    | 0,5    | 0,6    | 0,7    | 0,8    | 0,9    | °C       |
| 50       | 988,03 | 987,99 | 987,94 | 987,89 | 987,85 | 987,80 | 987,76 | 987,71 | 987,67 | 987,62 | 50       |
| 51       | 987,57 | 987,53 | 987,48 | 987,44 | 987,39 | 987,34 | 987,30 | 987,25 | 987,21 | 987,16 | 51       |
| 52       | 987,11 | 987,07 | 987,02 | 986,97 | 986,93 | 986,88 | 986,83 | 986,79 | 986,74 | 986,69 | 52       |
| 53       | 986,64 | 986,60 | 986,55 | 986,50 | 986,46 | 986,41 | 986,36 | 986,31 | 986,26 | 986,22 | 53       |
| 54       | 986,17 | 986,12 | 986,07 | 986,03 | 985,98 | 985,93 | 985,88 | 985,83 | 985,79 | 985,74 | 54       |
| 55       | 985,69 | 985,64 | 985,59 | 985,54 | 985,49 | 985,45 | 985,40 | 985,35 | 985,30 | 985,25 | 55       |
| 56       | 985,20 | 985,15 | 985,10 | 985,05 | 985,00 | 984,96 | 984,91 | 984,86 | 984,81 | 984,76 | 56       |
| 57       | 984,71 | 984,66 | 984,61 | 984,56 | 984,51 | 984,46 | 984,41 | 984,36 | 984,31 | 984,26 | 57       |
| 58       | 984,21 | 984,16 | 984,11 | 984,06 | 984,01 | 983,96 | 983,91 | 983,85 | 983,80 | 983,75 | 58       |
| 59       | 983,70 | 983,65 | 983,60 | 983,55 | 983,50 | 983,45 | 983,40 | 983,34 | 983,29 | 983,24 | 59       |
| 60       | 983,19 | 983,14 | 983,09 | 983,04 | 982,98 | 982,93 | 982,88 | 982,83 | 982,78 | 982,73 | 60       |
| 61       | 982,67 | 982,62 | 982,57 | 982,52 | 982,46 | 982,41 | 982,36 | 982,31 | 982,26 | 982,20 | 61       |
| 62       | 982,15 | 982,10 | 982,04 | 981,99 | 981,94 | 981,89 | 981,83 | 981,78 | 981,73 | 981,67 | 62       |
| 63       | 981,62 | 981,57 | 981,51 | 981,46 | 981,41 | 981,35 | 981,30 | 981,25 | 981,19 | 981,14 | 63       |
| 64       | 981,09 | 981,03 | 980,98 | 980,92 | 980,87 | 980,82 | 980,76 | 980,71 | 980,65 | 980,60 | 64       |
| 65       | 980,55 | 980,49 | 980,44 | 980,38 | 980,33 | 980,27 | 980,22 | 980,16 | 980,11 | 980,05 | 65       |
| 66       | 980,00 | 979,94 | 979,89 | 979,83 | 979,78 | 979,72 | 979,67 | 979,61 | 979,56 | 979,50 | 66       |
| 67       | 979,45 | 979,39 | 979,34 | 979,28 | 979,23 | 979,17 | 979,11 | 979,06 | 979,00 | 978,95 | 67       |
| 68       | 978,89 | 978,83 | 978,78 | 978,72 | 978,67 | 978,61 | 978,55 | 978,50 | 978,44 | 978,38 | 68       |
| 69       | 978,33 | 978,27 | 978,21 | 978,16 | 978,10 | 978,04 | 977,99 | 977,93 | 977,87 | 977,82 | 69       |
| 70       | 977,76 | 977,70 | 977,64 | 977,59 | 977,53 | 977,47 | 977,42 | 977,36 | 977,30 | 977,24 | 70       |
| 71       | 977,19 | 977,13 | 977,07 | 977,01 | 976,95 | 976,90 | 976,84 | 976,78 | 976,72 | 976,66 | 71       |
| 72       | 976,61 | 976,55 | 976,49 | 976,43 | 976,37 | 976,31 | 976,26 | 976,20 | 976,14 | 976,08 | 72       |
| 73       | 976,02 | 975,96 | 975,90 | 975,85 | 975,79 | 975,73 | 975,67 | 975,61 | 975,55 | 975,49 | 73       |
| 74       | 975,43 | 975,37 | 975,31 | 975,25 | 975,19 | 975,14 | 975,08 | 975,02 | 974,96 | 974,90 | 74       |
| 75       | 974,84 | 974,78 | 974,72 | 974,66 | 974,60 | 974,54 | 974,48 | 974,42 | 974,36 | 974,30 | 75       |
| 76       | 974,24 | 974,18 | 974,12 | 974,06 | 974,00 | 973,93 | 973,87 | 973,81 | 973,75 | 973,69 | 76       |
| 77       | 973,63 | 973,57 | 973,51 | 973,45 | 973,39 | 973,33 | 973,27 | 973,20 | 973,14 | 973,08 | 77       |
| 78       | 973,02 | 972,96 | 972,90 | 972,84 | 972,78 | 972,71 | 972,65 | 972,59 | 972,53 | 972,47 | 78       |
| 79       | 972,41 | 972,34 | 972,28 | 972,22 | 972,16 | 972,10 | 972,03 | 971,97 | 971,91 | 971,85 | 79       |

continued

Table A.1 (concluded)

| $t_{90}$ |        |        |        |        |        |        |        |        |        |        | $t_{90}$ |
|----------|--------|--------|--------|--------|--------|--------|--------|--------|--------|--------|----------|
| °C       | 0      | 0,1    | 0,2    | 0,3    | 0,4    | 0,5    | 0,6    | 0,7    | 0,8    | 0,9    | °C       |
| 80       | 971,78 | 971,72 | 971,66 | 971,60 | 971,53 | 971,47 | 971,41 | 971,35 | 971,28 | 971,22 | 80       |
| 81       | 971,16 | 971,10 | 971,03 | 970,97 | 970,91 | 970,84 | 970,78 | 970,72 | 970,65 | 970,59 | 81       |
| 82       | 970,53 | 970,46 | 970,40 | 970,34 | 970,27 | 970,21 | 970,15 | 970,08 | 970,02 | 969,96 | 82       |
| 83       | 969,89 | 969,83 | 969,76 | 969,70 | 969,64 | 969,57 | 969,51 | 969,44 | 969,38 | 969,32 | 83       |
| 84       | 969,25 | 969,19 | 969,12 | 969,06 | 968,99 | 968,93 | 968,86 | 968,80 | 968,74 | 968,67 | 84       |
| 85       | 968,61 | 968,54 | 968,48 | 968,41 | 968,35 | 968,28 | 968,22 | 968,15 | 968,09 | 968,02 | 85       |
| 86       | 967,96 | 967,89 | 967,82 | 967,76 | 967,69 | 967,63 | 967,56 | 967,50 | 967,43 | 967,37 | 86       |
| 87       | 967,30 | 967,23 | 967,17 | 967,10 | 967,04 | 966,97 | 966,90 | 966,84 | 966,77 | 966,71 | 87       |
| 88       | 966,64 | 966,57 | 966,51 | 966,44 | 966,37 | 966,31 | 966,24 | 966,17 | 966,11 | 966,04 | 88       |
| 89       | 965,97 | 965,91 | 965,84 | 965,77 | 965,71 | 965,64 | 965,57 | 965,51 | 965,44 | 965,37 | 89       |
| 90       | 965,30 | 965,24 | 965,17 | 965,10 | 965,03 | 964,97 | 964,90 | 964,83 | 964,76 | 964,70 | 90       |
| 91       | 964,63 | 964,56 | 964,49 | 964,43 | 964,36 | 964,29 | 964,22 | 964,15 | 964,09 | 964,02 | 91       |
| 92       | 963,95 | 963,88 | 963,81 | 963,75 | 963,68 | 963,61 | 963,54 | 963,47 | 963,40 | 963,33 | 92       |
| 93       | 963,27 | 963,20 | 963,13 | 963,06 | 962,99 | 962,92 | 962,85 | 962,78 | 962,71 | 962,65 | 93       |
| 94       | 962,58 | 962,51 | 962,44 | 962,37 | 962,30 | 962,23 | 962,16 | 962,09 | 962,02 | 961,95 | 94       |
| 95       | 961,88 | 961,81 | 961,74 | 961,67 | 961,60 | 961,53 | 961,46 | 961,39 | 961,32 | 961,25 | 95       |
| 96       | 961,18 | 961,11 | 961,04 | 960,97 | 960,90 | 960,83 | 960,76 | 960,69 | 960,62 | 960,55 | 96       |
| 97       | 960,48 | 960,41 | 960,34 | 960,27 | 960,20 | 960,13 | 960,06 | 959,99 | 959,92 | 959,85 | 97       |
| 98       | 959,77 | 959,70 | 959,63 | 959,56 | 959,49 | 959,42 | 959,35 | 959,28 | 959,20 | 959,13 | 98       |
| 99       | 959,06 | 958,99 | 958,92 | 958,85 | 958,78 | 958,70 | 958,63 | 958,56 | 958,49 | 958,42 | 99       |
| 100      | 958,34 |        |        |        |        |        |        |        |        |        | 100      |

**Table A.2 — Isothermal compressibility  $k_w$  of pure water as function of the temperature  $t_{90}$  according to the international temperature scale from 1990**

Compressibility  $k_w$  in  $10^{-6} \text{ bar}^{-1}$

| $t_{90}$<br>°C | 0     | 1     | 2     | 3     | 4     | 5     | 6     | 7     | 8     | 9     | $t_{90}$<br>°C |
|----------------|-------|-------|-------|-------|-------|-------|-------|-------|-------|-------|----------------|
| 0              | 50,88 | 50,51 | 50,15 | 49,81 | 49,48 | 49,17 | 48,87 | 48,59 | 48,31 | 48,06 | 0              |
| 10             | 47,81 | 47,57 | 47,35 | 47,13 | 46,93 | 46,73 | 46,55 | 46,37 | 46,20 | 46,04 | 10             |
| 20             | 45,89 | 45,75 | 45,61 | 45,48 | 45,36 | 45,25 | 45,14 | 45,04 | 44,94 | 44,85 | 20             |
| 30             | 44,77 | 44,69 | 44,62 | 44,56 | 44,50 | 44,44 | 44,39 | 44,34 | 44,30 | 44,27 | 30             |
| 40             | 44,24 | 44,21 | 44,19 | 44,17 | 44,16 | 44,15 | 44,15 | 44,15 | 44,15 | 44,16 | 40             |
| 50             | 44,17 | 44,19 | 44,21 | 44,23 | 44,26 | 44,29 | 44,32 | 44,36 | 44,40 | 44,45 | 50             |
| 60             | 44,50 | 44,55 | 44,60 | 44,66 | 44,72 | 44,79 | 44,86 | 44,93 | 45,00 | 45,08 | 60             |
| 70             | 45,16 | 45,25 | 45,34 | 45,43 | 45,52 | 45,62 | 45,72 | 45,82 | 45,92 | 46,03 | 70             |
| 80             | 46,15 | 46,26 | 46,38 | 46,50 | 46,62 | 46,75 | 46,88 | 47,01 | 47,15 | 47,29 | 80             |
| 90             | 47,43 | 47,58 | 47,73 | 47,88 | 48,03 | 48,19 | 48,35 | 48,51 | 48,68 | 48,85 | 90             |
| 100            | 49,02 |       |       |       |       |       |       |       |       |       | 100            |
| °C             | 0     | 1     | 2     | 3     | 4     | 5     | 6     | 7     | 8     | 9     | °C             |

The water density as a function of the pressure is calculated by the equation:

$$\rho_w(t, p) = \rho_w(t, p_0) [1 + k_w (p - p_0)]$$

where

$t$  is the temperature (ITC 90);

$p$  is the pressure;

$p_0$  is the nominal pressure ( $p_0 = 1,013 \text{ bar}$ );

$k_w$  is the compressibility;

$\rho_w(t, p)$  is the density at temperature  $t$  and pressure  $p$ ;

$\rho_w(t, p_0)$  is the density at temperature  $t$  and nominal pressure  $p_0$

NOTE Tables A.1 and A.2 are based on literature given in annex C. Table A.1 is based on reference [1], table A.2 is based on reference [2].

## Annex B (normative)

### Density of moist air

**Table B.1 — Densities of air at a relative air humidity  $\varphi$  of 50 % as a function of temperature  $t_{90}$  and air pressure  $p$**

Air densities in kg/m<sup>3</sup> ( $\varphi = 50\%$ , CO<sub>2</sub> content 0,04 %)

| $t_{90}$<br>°C | Air pressure, $p$ , in bar |       |       |       |       |       |       |         |       |       |       |       |       |       | $t_{90}$<br>°C |
|----------------|----------------------------|-------|-------|-------|-------|-------|-------|---------|-------|-------|-------|-------|-------|-------|----------------|
|                | 0,95                       | 0,96  | 0,97  | 0,98  | 0,99  | 1,00  | 1,01  | 1,01325 | 1,02  | 1,03  | 1,04  | 1,05  | 1,06  | 1,07  |                |
| 0              | 1,211                      | 1,223 | 1,236 | 1,249 | 1,262 | 1,275 | 1,287 | 1,291   | 1,291 | 1,300 | 1,313 | 1,326 | 1,338 | 1,351 | 0              |
| 5              | 1,188                      | 1,201 | 1,213 | 1,226 | 1,238 | 1,251 | 1,263 | 1,268   | 1,268 | 1,276 | 1,289 | 1,301 | 1,314 | 1,326 | 5              |
| 10             | 1,166                      | 1,179 | 1,191 | 1,203 | 1,216 | 1,228 | 1,240 | 1,244   | 1,244 | 1,253 | 1,265 | 1,277 | 1,290 | 1,302 | 10             |
| 15             | 1,145                      | 1,157 | 1,169 | 1,181 | 1,193 | 1,206 | 1,218 | 1,222   | 1,222 | 1,230 | 1,242 | 1,254 | 1,266 | 1,278 | 15             |
| 20             | 1,124                      | 1,136 | 1,148 | 1,160 | 1,172 | 1,183 | 1,195 | 1,199   | 1,199 | 1,207 | 1,219 | 1,231 | 1,243 | 1,255 | 20             |
| 25             | 1,103                      | 1,115 | 1,127 | 1,138 | 1,150 | 1,162 | 1,173 | 1,177   | 1,177 | 1,185 | 1,197 | 1,209 | 1,220 | 1,232 | 25             |
| 30             | 1,083                      | 1,094 | 1,106 | 1,117 | 1,129 | 1,140 | 1,152 | 1,155   | 1,155 | 1,163 | 1,175 | 1,186 | 1,198 | 1,209 | 30             |
| 35             | 1,062                      | 1,073 | 1,085 | 1,096 | 1,107 | 1,119 | 1,130 | 1,134   | 1,134 | 1,141 | 1,153 | 1,164 | 1,175 | 1,187 | 35             |
| 40             | 1,041                      | 1,053 | 1,064 | 1,075 | 1,086 | 1,097 | 1,108 | 1,112   | 1,112 | 1,119 | 1,131 | 1,142 | 1,153 | 1,164 | 40             |
| 45             | 1,021                      | 1,031 | 1,042 | 1,053 | 1,064 | 1,075 | 1,086 | 1,090   | 1,090 | 1,097 | 1,108 | 1,119 | 1,130 | 1,141 | 45             |
| 50             | 0,999                      | 1,010 | 1,021 | 1,031 | 1,042 | 1,053 | 1,064 | 1,067   | 1,067 | 1,075 | 1,085 | 1,096 | 1,107 | 1,118 | 50             |
| 55             | 0,977                      | 0,988 | 0,998 | 1,009 | 1,019 | 1,030 | 1,041 | 1,044   | 1,044 | 1,051 | 1,062 | 1,073 | 1,083 | 1,094 | 55             |
| 60             | 0,954                      | 0,965 | 0,975 | 0,985 | 0,996 | 1,006 | 1,017 | 1,020   | 1,020 | 1,027 | 1,038 | 1,048 | 1,059 | 1,069 | 60             |
| 65             | 0,930                      | 0,940 | 0,951 | 0,961 | 0,971 | 0,982 | 0,992 | 0,995   | 0,995 | 1,002 | 1,012 | 1,023 | 1,033 | 1,043 | 65             |
| 70             | 0,905                      | 0,915 | 0,925 | 0,935 | 0,945 | 0,955 | 0,965 | 0,969   | 0,969 | 0,976 | 0,986 | 0,996 | 1,006 | 1,016 | 70             |
| 75             | 0,878                      | 0,888 | 0,898 | 0,908 | 0,918 | 0,928 | 0,938 | 0,941   | 0,941 | 0,948 | 0,958 | 0,968 | 0,978 | 0,988 | 75             |
| 80             | 0,848                      | 0,858 | 0,868 | 0,878 | 0,888 | 0,898 | 0,908 | 0,911   | 0,911 | 0,917 | 0,927 | 0,937 | 0,947 | 0,957 | 80             |
| 85             | 0,817                      | 0,827 | 0,837 | 0,846 | 0,856 | 0,866 | 0,875 | 0,879   | 0,879 | 0,885 | 0,895 | 0,905 | 0,914 | 0,924 | 85             |
| 90             | 0,783                      | 0,793 | 0,802 | 0,812 | 0,821 | 0,831 | 0,840 | 0,844   | 0,844 | 0,850 | 0,860 | 0,869 | 0,879 | 0,888 | 90             |
| 95             | 0,746                      | 0,755 | 0,765 | 0,774 | 0,783 | 0,793 | 0,802 | 0,805   | 0,805 | 0,812 | 0,821 | 0,831 | 0,840 | 0,850 | 95             |
| 100            | 0,705                      | 0,714 | 0,723 | 0,733 | 0,742 | 0,751 | 0,761 | 0,764   | 0,764 | 0,770 | 0,779 | 0,789 | 0,798 | 0,807 | 100            |

Table B.2 — Correction values for the air densities in table B.1 at different temperatures and air humidities

Correction values in kg/m<sup>3</sup> (CO<sub>2</sub> content 0,04 %)

| $t_{90}$<br>°C | Air humidity $\varphi$ , % |       |       |       |       |       |        |        |        |        |        | $t_{90}$<br>°C |
|----------------|----------------------------|-------|-------|-------|-------|-------|--------|--------|--------|--------|--------|----------------|
|                | 0                          | 10    | 20    | 30    | 40    | 50    | 60     | 70     | 80     | 90     | 100    |                |
| 0              | 0,001                      | 0,001 | 0,001 | 0,001 | 0,000 | 0,000 | 0,000  | -0,001 | -0,001 | -0,001 | -0,001 | 0              |
| 5              | 0,002                      | 0,002 | 0,001 | 0,001 | 0,000 | 0,000 | 0,000  | -0,001 | -0,001 | -0,002 | -0,002 | 5              |
| 10             | 0,003                      | 0,002 | 0,002 | 0,001 | 0,001 | 0,000 | -0,001 | -0,001 | -0,002 | -0,002 | -0,003 | 10             |
| 15             | 0,004                      | 0,003 | 0,002 | 0,002 | 0,001 | 0,000 | -0,001 | -0,002 | -0,002 | -0,003 | -0,004 | 15             |
| 20             | 0,005                      | 0,004 | 0,003 | 0,002 | 0,001 | 0,000 | -0,001 | -0,002 | -0,003 | -0,004 | -0,005 | 20             |
| 25             | 0,007                      | 0,006 | 0,004 | 0,003 | 0,001 | 0,000 | -0,001 | -0,003 | -0,004 | -0,006 | -0,007 | 25             |
| 30             | 0,009                      | 0,007 | 0,006 | 0,004 | 0,002 | 0,000 | -0,002 | -0,004 | -0,006 | -0,007 | -0,009 | 30             |
| 35             | 0,012                      | 0,010 | 0,007 | 0,005 | 0,002 | 0,000 | -0,002 | -0,005 | -0,007 | -0,010 | -0,012 | 35             |
| 40             | 0,015                      | 0,012 | 0,009 | 0,006 | 0,003 | 0,000 | -0,003 | -0,006 | -0,009 | -0,012 | -0,015 | 40             |
| 45             | 0,020                      | 0,016 | 0,012 | 0,008 | 0,004 | 0,000 | -0,004 | -0,008 | -0,012 | -0,016 | -0,020 | 45             |
| 50             | 0,025                      | 0,020 | 0,015 | 0,010 | 0,005 | 0,000 | -0,005 | -0,010 | -0,015 | -0,020 | -0,025 | 50             |
| 55             | 0,032                      | 0,025 | 0,019 | 0,013 | 0,006 | 0,000 | -0,006 | -0,013 | -0,019 | -0,025 | -0,031 | 55             |
| 60             | 0,039                      | 0,031 | 0,024 | 0,016 | 0,008 | 0,000 | -0,008 | -0,016 | -0,023 | -0,031 | -0,039 | 60             |
| 65             | 0,049                      | 0,039 | 0,029 | 0,019 | 0,010 | 0,000 | -0,010 | -0,019 | -0,029 | -0,039 | -0,048 | 65             |
| 70             | 0,060                      | 0,048 | 0,036 | 0,024 | 0,012 | 0,000 | -0,012 | -0,024 | -0,036 | -0,048 | -0,059 | 70             |
| 75             | 0,073                      | 0,058 | 0,044 | 0,029 | 0,015 | 0,000 | -0,015 | -0,029 | -0,044 | -0,058 | -0,073 | 75             |
| 80             | 0,089                      | 0,071 | 0,053 | 0,035 | 0,018 | 0,000 | -0,018 | -0,035 | -0,053 | -0,071 | -0,088 | 80             |
| 85             | 0,107                      | 0,086 | 0,064 | 0,043 | 0,021 | 0,000 | -0,021 | -0,043 | -0,064 | -0,086 | -0,107 | 85             |
| 90             | 0,128                      | 0,103 | 0,077 | 0,051 | 0,026 | 0,000 | -0,026 | -0,052 | -0,077 | -0,103 | -0,129 | 90             |
| 95             | 0,153                      | 0,123 | 0,092 | 0,062 | 0,031 | 0,000 | -0,031 | -0,062 | -0,093 | -0,124 | -0,155 | 95             |
| 100            | 0,182                      | 0,146 | 0,110 | 0,073 | 0,037 | 0,000 | -0,037 | -0,074 | -0,110 | -0,147 | -0,184 | 100            |

## EXAMPLE

Air density  $\rho$  at 25 °C, air humidity of 20 % and air pressure of 0,96 bar:  $\rho = 1,115 + 0,004 = 1,119 \text{ kg/m}^3$

NOTE The values in tables B.1 and B.2 are based on references [1] and [3] given in annex C.

For most applications, the following simplified equation (for numerical values) is recommended to calculate the air density:

$$\rho_a = [0,34844p - \varphi (0,252t - 2,0582)] / (273,15 + t)$$

where  $\rho_a$  is obtained in  $\text{kg/m}^3$  when the air pressure  $p$  is stated in hPa (or mbar), the air temperature  $t$  in °C, and the relative air humidity  $\varphi$  is expressed as a decimal fraction.

In the ranges

$$940 \text{ hPa} \leq p \leq 1080 \text{ hPa},$$

$$18 \text{ °C} \leq t \leq 30 \text{ °C}, \text{ and}$$

$$\varphi \leq 0,8$$

the air density calculated according to this equation has an uncertainty not greater than  $0,0005 \text{ kg/m}^3$ . When the air pressure is known correct to 2 hPa, the air temperature correct to 0,2 °C and the relative air humidity  $\varphi$  correct to 0,05 (i.e. correct to 5 %), the uncertainty of the air density value is less than  $0,005 \text{ kg/m}^3$ .

## Annex C (informative)

### Bibliography

#### C.1 Density measurement references

- [1] F. Spieweck, H. Bettin. Review: Solid and liquid density determination. Part 1: *tm-Technisches Messen*, **59** (1992) No. 6, pp. 237-244; Part 2: *tm-Technisches Messen*, **59** (1992) Nos. 7/8, pp. 285-292.
- [2] G.S. Kell. Density, Thermal Expansivity, and Compressibility of Liquid Water from 0 °C to 150 °C: Correlations and Tables for Atmospheric Pressure and Saturation Reviewed and Expressed on 1968 Temperature Scale. *Journal of Chemical and Engineering Data*, **20** (1975) No.1, pp. 97-105.
- [3] P. Giacomo. Equation for determination of density of moist air (1981), *Metrologia*, **18** (1982), pp. 33-40 (Springer Verlag).
- [4] F. Kohlrausch. *Praktische Physik*, **3** (1996) (No. 24), pp. 349-359 (in German).
- [5] ISO 2811:1997 (all parts), *Paints and varnishes — Determination of density*.
- [6] ISO 3838:1983, *Crude petroleum and liquid or solid petroleum products — Determination of density or relative density — Capillary-stoppered pyknometer and graduated bicapillary pyknometer methods*.
- [7] VIM:1993. *International Vocabulary of Basic and General Terms in Metrology*. BIPM/IEC/ISO/OIML.

#### C.2 International Standards for density measuring instruments

- [8] ISO 387:1977, *Hydrometers — Principles of construction and adjustment*.
- [9] ISO 649-1:1981, *Laboratory glassware — Density hydrometers for general purposes — Part 1: Specification*.
- [10] ISO 649-2:1981, *Laboratory glassware — Density hydrometers for general purposes — Part 2: Test methods and use*.
- [11] ISO 650:1977, *Relative density 60/60 °F hydrometers for general purposes*.
- [12] ISO 3507:—<sup>2</sup>, *Laboratory glassware — Pyknometers*.
- [13] ISO 4801:1979, *Glass alcoholometers and alcohol hydrometers not incorporating a thermometer*.
- [14] ISO 4805:1982, *Laboratory glassware — Thermo-alcoholometers and alcohol-thermohydrometers*.

---

2) To be published. (Revision of ISO 3507:1976)





---

---

**ICS 17.060**

**Descriptors:** laboratory equipment, measuring instruments, densitometers, specifications, metrological characteristics, performance, tests, performance tests, calibration, accuracy, marking.

Price based on 20 pages

---

---