

INTERNATIONAL STANDARD

ISO
15098-2

First edition
2000-02-15

Dental tweezers —

Part 2: Meriam types

*Précelles dentaires —
Partie 2: Type Meriam*



Reference number
ISO 15098-2:2000(E)

© ISO 2000

PDF disclaimer

This PDF file may contain embedded typefaces. In accordance with Adobe's licensing policy, this file may be printed or viewed but shall not be edited unless the typefaces which are embedded are licensed to and installed on the computer performing the editing. In downloading this file, parties accept therein the responsibility of not infringing Adobe's licensing policy. The ISO Central Secretariat accepts no liability in this area.

Adobe is a trademark of Adobe Systems Incorporated.

Details of the software products used to create this PDF file can be found in the General Info relative to the file; the PDF-creation parameters were optimized for printing. Every care has been taken to ensure that the file is suitable for use by ISO member bodies. In the unlikely event that a problem relating to it is found, please inform the Central Secretariat at the address given below.

© ISO 2000

All rights reserved. Unless otherwise specified, no part of this publication may be reproduced or utilized in any form or by any means, electronic or mechanical, including photocopying and microfilm, without permission in writing from either ISO at the address below or ISO's member body in the country of the requester.

ISO copyright office
Case postale 56 • CH-1211 Geneva 20
Tel. + 41 22 749 01 11
Fax + 41 22 734 10 79
E-mail copyright@iso.ch
Web www.iso.ch

Printed in Switzerland

Contents

Page

1	Scope	1
2	Normative references	1
3	Terms and definitions	1
4	Design and dimensions	1
5	Designation, labelling and marking	4

.....

Foreword

ISO (the International Organization for Standardization) is a worldwide federation of national standards bodies (ISO member bodies). The work of preparing International Standards is normally carried out through ISO technical committees. Each member body interested in a subject for which a technical committee has been established has the right to be represented on that committee. International organizations, governmental and non-governmental, in liaison with ISO, also take part in the work. ISO collaborates closely with the International Electrotechnical Commission (IEC) on all matters of electrotechnical standardization.

International Standards are drafted in accordance with the rules given in the ISO/IEC Directives, Part 3.

Draft International Standards adopted by the technical committees are circulated to the member bodies for voting. Publication as an International Standard requires approval by at least 75 % of the member bodies casting a vote.

Attention is drawn to the possibility that some of the elements of this part of ISO 15098 may be the subject of patent rights. ISO shall not be held responsible for identifying any or all such patent rights.

International Standard ISO 15098-2 was prepared by Technical Committee ISO/TC 106, *Dentistry*, Subcommittee SC 4, *Dental instruments*.

ISO 15098 consists of the following parts, under the general title *Dental tweezers*:

- *Part 1: General requirements*
- *Part 2: Meriam types*
- *Part 3: College types*

.....

Dental tweezers —

Part 2: Meriam types

1 Scope

This part of ISO 15098 specifies specific requirements, including dimensions, for Meriam type dental tweezers.

2 Normative references

The following normative documents contain provisions which, through reference in this text, constitute provisions of this part of ISO 15098. For dated references, subsequent amendments to, or revisions of, any of these publications do not apply. However, parties to agreements based on this part of ISO 15098 are encouraged to investigate the possibility of applying the most recent editions of the normative documents indicated below. For undated references, the latest edition of the normative document referred to applies. Members of ISO and IEC maintain registers of currently valid International Standards.

ISO 1942-3, *Dental vocabulary — Part 3: Dental instruments*.

ISO 15098-1:1999, *Dental tweezers — Part 1: General requirements*.

3 Terms and definitions

For the purposes of this part of ISO 15098, the terms and definitions given in ISO 1942-3 and the following apply.

3.1

guide pin

pin for guiding the tweezer halves when the tweezers are pressed together

4 Design and dimensions

4.1 General

General requirements for dental tweezers are specified in ISO 15098-1.

Meriam type dental tweezers shall have the designs shown in Figure 1 and the dimensions as given in Table 1. The points of measurement associated with the dimensions are listed in Table 2.

Annex A of ISO 15098-1:1999 provides details of one method of measurement applicable to most types of dental tweezers.

4.2 Length

Meriam type dental tweezers shall have a length l of (160 ± 5) mm.

4.3 Working end

The working end shall be serrated or smooth. If it is serrated it shall be in accordance with Figure 1, enlarged view.

4.4 Handle

The handle shall be serrated.

4.5 Guide pin

Meriam type dental tweezers shall have a guide pin. In addition it may have a stopper for the guide pin.

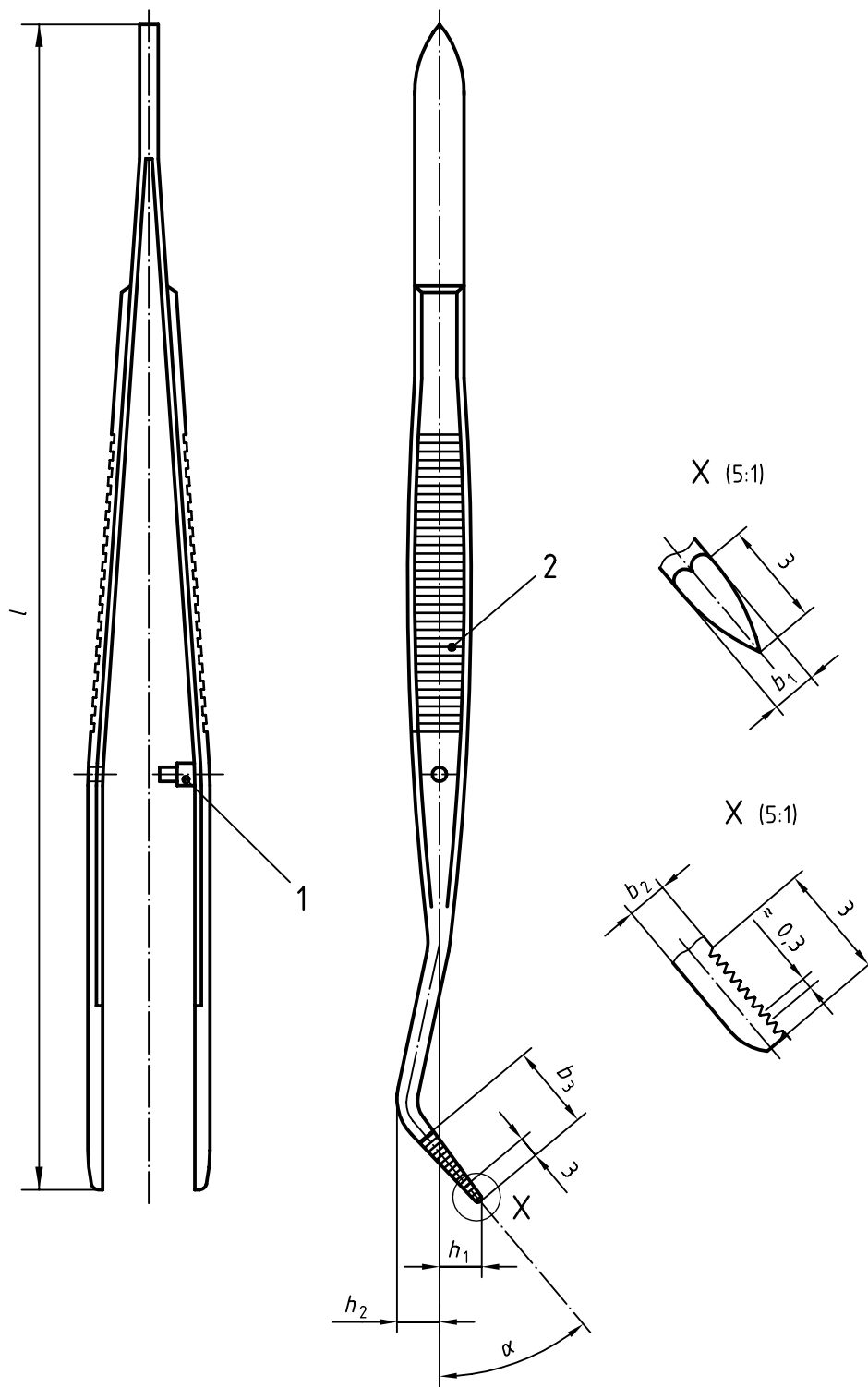
Table 1 — Dimensions of Meriam type dental tweezers

	b_1 mm	b_2 mm	b_3 mm	h_1 mm	h_2 mm	l mm	α °
Meriam type	1,3	1,1	12	6	6	160	40
Tolerance	$\pm 0,2$	$\pm 0,2$	± 1	± 1	± 1	± 5	± 5

Table 2 — Points of measurement for Meriam type dental tweezers

Symbol	Dimension	Point of measurement
b_1	Blade width	Measured at a distance of 3 mm from the tip of the working end.
b_2	Blade thickness	Measured at a distance of 3 mm from the tip of the working end.
b_3	Blade length	Distance measured from the extreme tip of the blade, parallel to the centreline of the blade, to the blade/shank interface.
h_1	Blade height	Distance measured from the centreline of the instrument, at right angles to the centreline of the instrument, to the farthest extremity of the blade.
h_2	Shank height	Distance measured from the centreline of the instrument, at right angles to the centreline of the instrument, to the farthest external surface of the first bend of the shank.
l	Length	Distance measured with closed tweezers from the farthest extremity of the blade, parallel to the centreline of the instrument, to the end of the instrument.
α	Blade angle	Angle from the centreline of the blade to the centreline of the instrument.

Dimensions in millimetres



Key

- 1 Guide pin
- 2 Handle serrations

Figure 1 — Dental tweezers — Meriam type

5 Designation, labelling and marking

If the Meriam type tweezers meet the requirements of this part of ISO 15098 then the manufacturer may include in the catalogue, on the package of the product and on the instrument the number of this part of ISO 15098 (ISO 15098-2).

EXAMPLE Tweezers of Meriam type shall be designated as follows: **ISO 15098-2**

ICS 11.060.20

Price based on 4 pages

© ISO 2000 – All rights reserved