

# INTERNATIONAL STANDARD

# ISO 15087-6

First edition  
2000-05-01

---

---

## Dental elevators — Part 6: Flohr elevators

*Élévateurs dentaires —  
Partie 6: Élévateurs Flohr*



Reference number  
ISO 15087-6:2000(E)

© ISO 2000

**PDF disclaimer**

This PDF file may contain embedded typefaces. In accordance with Adobe's licensing policy, this file may be printed or viewed but shall not be edited unless the typefaces which are embedded are licensed to and installed on the computer performing the editing. In downloading this file, parties accept therein the responsibility of not infringing Adobe's licensing policy. The ISO Central Secretariat accepts no liability in this area.

Adobe is a trademark of Adobe Systems Incorporated.

Details of the software products used to create this PDF file can be found in the General Info relative to the file; the PDF-creation parameters were optimized for printing. Every care has been taken to ensure that the file is suitable for use by ISO member bodies. In the unlikely event that a problem relating to it is found, please inform the Central Secretariat at the address given below.

© ISO 2000

All rights reserved. Unless otherwise specified, no part of this publication may be reproduced or utilized in any form or by any means, electronic or mechanical, including photocopying and microfilm, without permission in writing from either ISO at the address below or ISO's member body in the country of the requester.

ISO copyright office  
Case postale 56 • CH-1211 Geneva 20  
Tel. + 41 22 749 01 11  
Fax + 41 22 734 10 79  
E-mail [copyright@iso.ch](mailto:copyright@iso.ch)  
Web [www.iso.ch](http://www.iso.ch)

Printed in Switzerland

## Foreword

ISO (the International Organization for Standardization) is a worldwide federation of national standards bodies (ISO member bodies). The work of preparing International Standards is normally carried out through ISO technical committees. Each member body interested in a subject for which a technical committee has been established has the right to be represented on that committee. International organizations, governmental and non-governmental, in liaison with ISO, also take part in the work. ISO collaborates closely with the International Electrotechnical Commission (IEC) on all matters of electrotechnical standardization.

International Standards are drafted in accordance with the rules given in the ISO/IEC Directives, Part 3.

Draft International Standards adopted by the technical committees are circulated to the member bodies for voting. Publication as an International Standard requires approval by at least 75 % of the member bodies casting a vote.

Attention is drawn to the possibility that some of the elements of this part of ISO 15087 may be the subject of patent rights. ISO shall not be held responsible for identifying any or all such patent rights.

International Standard ISO 15087-6 was prepared by Technical Committee ISO/TC 106, *Dentistry*, Subcommittee SC 4, *Dental instruments*.

ISO 15087 consists of the following parts, under the general title *Dental elevators*:

- *Part 1: General requirements*
- *Part 2: Warwick James elevators*
- *Part 3: Cryer elevators*
- *Part 4: Coupland elevators*
- *Part 5: Bein elevators*
- *Part 6: Flohr elevators*





# Dental elevators —

## Part 6: Flohr elevators

### 1 Scope

This part of ISO 15087 gives requirements, including dimensions, for Flohr dental elevators.

### 2 Normative references

The following normative documents contain provisions which, through reference in this text, constitute provisions of this part of ISO 15087. For dated references, subsequent amendments to, or revisions of, any of these publications do not apply. However, parties to agreements based on this part of ISO 15087 are encouraged to investigate the possibility of applying the most recent editions of the normative documents indicated below. For undated references, the latest edition of the normative document referred to applies. Members of ISO and IEC maintain registers of currently valid International Standards.

ISO 1942-3, *Dental vocabulary — Part 3: Dental instruments*.

ISO 15087 -1:1999, *Dental elevators — Part 1: General requirements*.

### 3 Terms and definitions

For the purposes of this part of ISO 15087, the terms and definitions given in ISO 1942-3 apply.

### 4 Design and dimensions

#### 4.1 General

4.1.1 Flohr elevators shall conform to the general requirements given in ISO 15087-1.

4.1.2 Flohr elevators shall be grouped into the following types according to the shape of the working end:

- Type 1 = Straight working end (not used)
- Type 2 = Left working end
- Type 3 = Right working end

4.1.3 Flohr elevators shall be designed in accordance with Figure 1, and with dimensions in accordance with Table 1. Measurements of dimensions should be made as defined in Table 2.

NOTE Annex A of ISO 15087-1:1999 provides details of one method of measurement applicable to most types of dental hand instrument.

#### 4.2 Length range

Flohr elevators shall have an overall length in the range between 145 mm and 155 mm.

### 4.3 Handle

The design and dimensions of the Flohr elevator handle shall be selected at the discretion of the manufacturer.

**Table 1 — Dimensions of Flohr elevators**

Dimensions in millimetres  
(angular dimensions in degrees)

Dimensions	$b_1$	$b_2$	$b_3$	$h_1$	$h_2$	$l_1$	$r_1$	$r_2$	$\alpha$	$\beta$
<b>Tolerance</b>	± 0,3	± 0,2	± 1,0	± 2,0	± 2,0	ref <sup>a</sup>	ref <sup>a</sup>	ref <sup>a</sup>	± 5	± 5
<b>Type 2 (Left)</b>	3,5	2,4	16	7	9	55	3	40	45	33
<b>Type 3 (Right)</b>	3,5	2,4	16	7	9	55	3	40	45	33

<sup>a</sup> Reference dimension.

**Table 2 — Points of measurement for Flohr elevators**

Symbol	Designation	Point of measurement
$b_1$	Blade width	Measured at a distance of 7 mm from the extreme tip of the instrument.
$b_2$	Blade thickness	Measured at a distance of 7 mm from the extreme tip of the instrument.
$b_3$	Blade length	Measured from the farthest extremity of the blade, parallel to the centreline of the blade, to the heel of the blade.
$h_1$	Blade height	Measured from the centreline of the instrument, at right angles to the centreline of the instrument, to the farthest extremity of the blade.
$h_2$	Shank height	Measured from the centreline of the instrument, at right angles to the centreline of the instrument, to the farthest external surface of the first bend of the shank.
$l_1$	Working length	Measured from the farthest extremity of the blade, parallel to the centreline of the instrument, to the intersection with the handle.
$r_1$	Radius of blade	Radius of curvature of the inner surface of the blade.
$r_2$	Radius of blade length	Radius of curvature of the inner surface of the blade length.
$\alpha$	Blade angle	Angle between the centreline of the instrument and the centreline of the blade.
$\beta$	Offset angle	With the instrument viewed at 90° to the standard position (i.e. plan view), the angle between the centreline of the shank and a line, parallel to the centreline of the instrument, forming a tangent with the first bend of the instrument.

Dimensions in millimetres

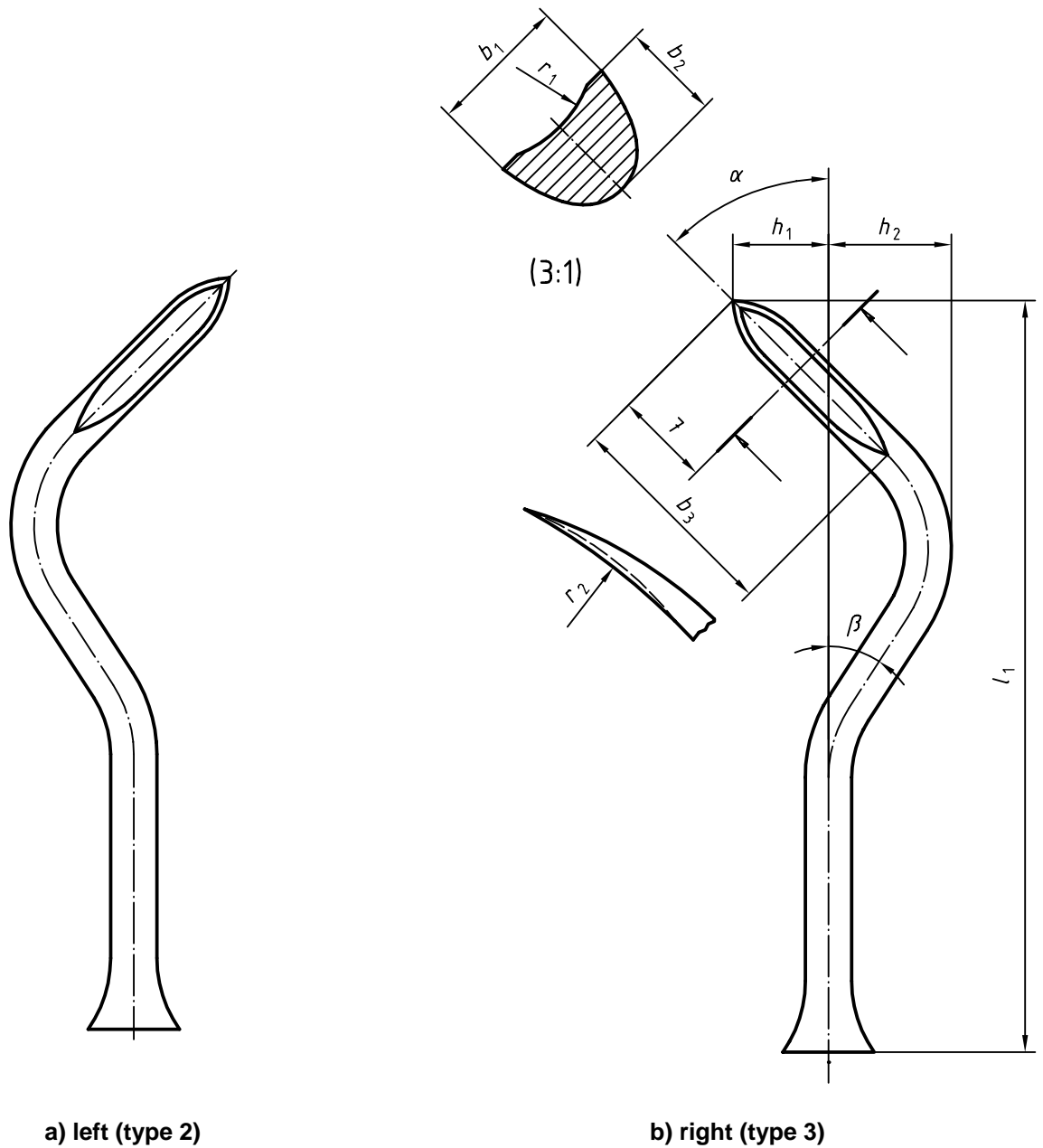


Figure 1 — Flohr elevators, left and right

## 5 Designation, labelling and marking

If the Flohr elevator meets the requirements of this part of IS 15087, then the manufacturer may include in the catalogue, on the package of the product and on the instrument the number of this part of ISO 15087 (ISO 15087-6) followed by an oblique stroke and the number indicating the type of elevator as shown in 4.1.2.

EXAMPLE A Flohr elevator, type 2, in accordance with this part of ISO 15087 is labelled using the following format:

**ISO 15087-6/2**

---

---

**ICS 11.060.20**

Price based on 3 pages

© ISO 2000 – All rights reserved