
**Fasteners — Hexalobular socket
countersunk flat head screws**

Éléments de fixation — Vis à tête fraisée réduite à six lobes internes





COPYRIGHT PROTECTED DOCUMENT

© ISO 2013

All rights reserved. Unless otherwise specified, no part of this publication may be reproduced or utilized otherwise in any form or by any means, electronic or mechanical, including photocopying, or posting on the internet or an intranet, without prior written permission. Permission can be requested from either ISO at the address below or ISO's member body in the country of the requester.

ISO copyright office
Case postale 56 • CH-1211 Geneva 20
Tel. + 41 22 749 01 11
Fax + 41 22 749 09 47
E-mail copyright@iso.org
Web www.iso.org

Published in Switzerland

Contents

	Page
Foreword	iv
1 Scope	1
2 Normative references	1
3 Dimensions	2
4 Requirements and reference International Standards	5
5 Marking	6
6 Designation	6
Bibliography	7

Foreword

ISO (the International Organization for Standardization) is a worldwide federation of national standards bodies (ISO member bodies). The work of preparing International Standards is normally carried out through ISO technical committees. Each member body interested in a subject for which a technical committee has been established has the right to be represented on that committee. International organizations, governmental and non-governmental, in liaison with ISO, also take part in the work. ISO collaborates closely with the International Electrotechnical Commission (IEC) on all matters of electrotechnical standardization.

The procedures used to develop this document and those intended for its further maintenance are described in the ISO/IEC Directives, Part 1. In particular the different approval criteria needed for the different types of ISO documents should be noted. This document was drafted in accordance with the editorial rules of the ISO/IEC Directives, Part 2. www.iso.org/directives

Attention is drawn to the possibility that some of the elements of this document may be the subject of patent rights. ISO shall not be held responsible for identifying any or all such patent rights. Details of any patent rights identified during the development of the document will be in the Introduction and/or on the ISO list of patent declarations received. www.iso.org/patents

Any trade name used in this document is information given for the convenience of users and does not constitute an endorsement.

The committee responsible for this document is ISO/TC 2, *Fasteners*, Subcommittee SC 11, *Fasteners with metric external thread*.

Fasteners — Hexalobular socket countersunk flat head screws

1 Scope

This International Standard specifies the characteristics of hexalobular socket countersunk flat head screws in product grade A and with threads from M2 to M10 inclusive and with reduced loadability according to [Table 3](#).

If, in special cases, specifications other than those listed in this International Standard are required, they can be selected from existing International Standards, e.g. ISO 261, ISO 888, ISO 898-1, ISO 965-2, ISO 3506-1 and ISO 4759-1.

NOTE Countersunk head screws, high head, made of steel, with property classes 4.8, 8.8 and 10.9, are specified in ISO 14582, but these products are not interchangeable, because of different head heights.

2 Normative references

The following documents, in whole or in part, are normatively referenced in this document and are indispensable for its application. For dated references, only the edition cited applies. For undated references, the latest edition of the referenced document (including any amendments) applies.

ISO 225, *Fasteners — Bolts, screws, studs and nuts — Symbols and descriptions of dimensions*

ISO 261, *ISO general purpose metric screw threads — General plan*

ISO 898-1, *Mechanical properties of fasteners made of carbon steel and alloy steel — Part 1: Bolts, screws and studs with specified property classes — Coarse thread and fine pitch thread*

ISO 965-2, *ISO general purpose metric screw threads — Tolerances — Part 2: Limits of sizes for general purpose external and internal screw threads — Medium quality*

ISO 3269, *Fasteners — Acceptance inspection*

ISO 3506-1, *Mechanical properties of corrosion-resistant stainless steel fasteners — Part 1: Bolts, screws and studs*

ISO 4042, *Fasteners — Electroplated coatings*

ISO 4759-1, *Tolerances for fasteners — Part 1: Bolts, screws, studs and nuts — Product grades A, B and C*

ISO 6157-1, *Fasteners — Surface discontinuities — Part 1: Bolts, screws and studs for general requirements*

ISO 7721, *Countersunk head screws — Head configuration and gauging*

ISO 8992, *Fasteners — General requirements for bolts, screws, studs and nuts*

ISO 10664, *Hexalobular internal driving feature for bolts and screws*

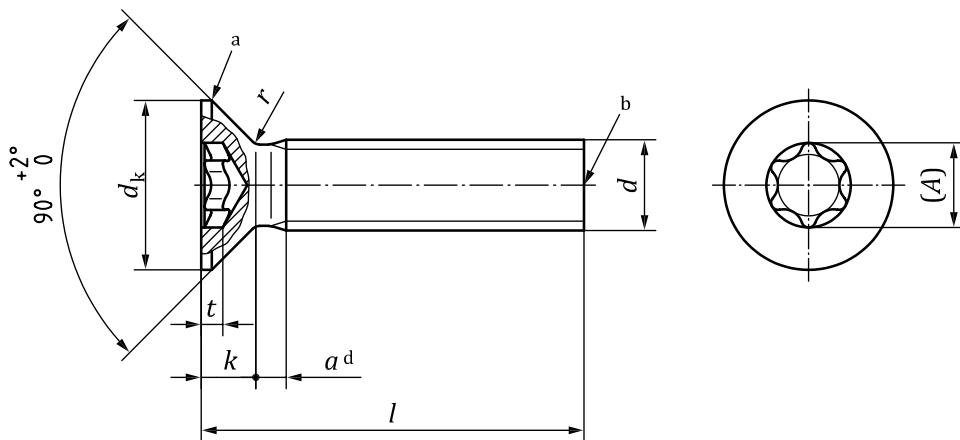
ISO 10683, *Fasteners — Non-electrolytically applied zinc flake coatings*

ISO 10684, *Fasteners — Hot dip galvanized coatings*

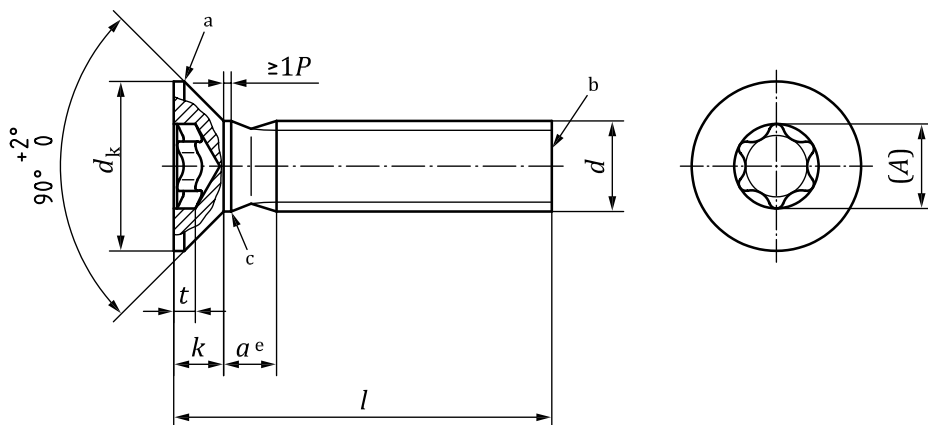
ISO 16048, *Passivation of corrosion-resistant stainless-steel fasteners*

3 Dimensions

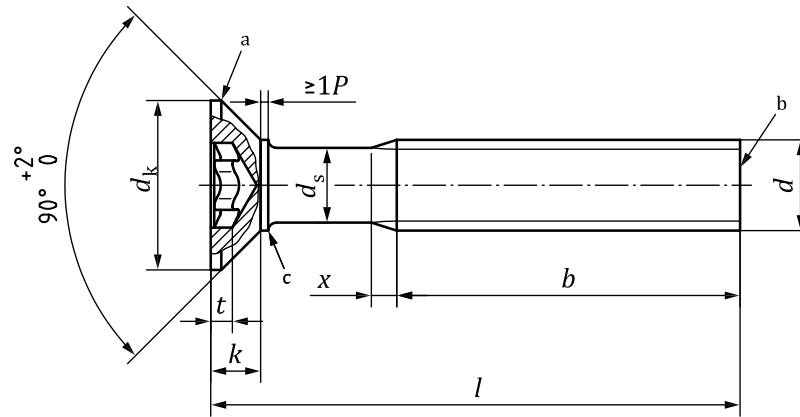
See [Figure 1](#) and [Table 1](#). Symbols and descriptions of dimensions are specified in ISO 225.



a) Screws without shoulder for sizes M2 to M4



b) Fully threaded screws with shoulder for sizes M5 to M10



c) Partially threaded screws with shoulder for sizes M5 to M10

Key

NOTE Shank diameter, d_s , is approximately equal to the pitch diameter or equal to the permissible major thread diameter.

- a Edge of the head flat or rounded.
- b As rolled end.
- c Any shape or size of the reinforcing feature is at the discretion of the manufacturer and shall not exceed d .
- d $a_{\max} \leq 2P$.
- e $a_{\max} \leq 2,5P$.

Figure 1 — Hexalobular socket countersunk flat head screw

Table 1 — Dimensions for hexalobular socket countersunk flat head screws

Dimensions in millimetres

Thread, <i>d</i>			M2	M2,5	M3	(M3,5) a	M4	M5	M6	M8	M10		
			without shoulder					with shoulder					
<i>p</i> ^b			0,4	0,45	0,5	0,6	0,7	0,8	1	1,25	1,5		
<i>b</i> min.			25	25	25	38	38	38	38	38	38		
<i>d</i> _k ^c			theoretical max.	4,4	5,5	6,3	8,2	9,4	10,4	12,6	17,3	20	
			actual	nom. = max.	3,80	4,70	5,50	7,30	8,40	9,30	11,30	15,80	18,30
				min.	3,50	4,40	5,20	6,94	8,04	8,94	10,87	15,37	17,78
<i>k</i> ^c nom. = max.			1,20	1,50	1,65	2,35	2,70	2,70	3,30	4,65	5,00		
<i>r</i> max.			0,5	0,6	0,8	0,9	1,0	1,3	1,5	2,0	2,5		
<i>x</i> max.			1,00	1,10	1,25	1,50	1,75	2,00	2,50	3,20	3,80		
Hexalobular socket ^d			Socket No.	6	8	10	15	20	25	30	45	50	
			<i>A</i> ref.	1,75	2,40	2,80	3,35	3,95	4,50	5,60	7,95	8,95	
			<i>t</i>	max.	0,64	0,79	0,83	1,32	1,53	1,51	1,78	2,54	2,80
				min.	0,51	0,66	0,70	1,16	1,14	1,12	1,39	2,15	2,41
<i>l</i> ^e													
nom. ^a	min.	max.											
3	2,8	3,2											
4	3,76	4,24											
5	4,76	5,24											
6	5,76	6,24											
8	7,71	8,29											
10	9,71	10,29											
12	11,65	12,35											
(14)	13,65	14,35											
16	15,65	16,35											
20	19,58	20,42											
25	24,58	25,42											
30	29,58	30,42											
35	34,5	35,5											
40	39,5	40,5											
45	44,5	45,5											
50	49,5	50,5											
(55)	54,05	55,95											
60	59,05	60,95											
NOTE Preferred lengths are between the bold, stepped lines.													
a Sizes in brackets should be avoided if possible.													
b <i>P</i> is the pitch of the thread.													
c The gauging of head dimensions is specified in ISO 7721.													
d The acceptance procedure for the hexalobular socket and corresponding gauges are specified in ISO 10664.													
e Screws with nominal lengths above the discontinuous, stepped line are threaded up to the head [$b = l - (k + a)$].													

4 Requirements and reference International Standards

See [Table 2](#) and [Table 3](#).

Table 2 — Requirements and reference International Standards

Material		Steel	Stainless steel
General requirements	International Standard	ISO 8992	
Thread	Tolerance class	6g	
	International Standards	ISO 261, ISO 965-2	
Mechanical properties	Property class/ steel grade	4.8, 8.8 ^a	A2-50, A4-50 A2-70, A4-70
	Marking symbol	04.8, 08.8	A2-050, A4-050 A2-070, A4-070 ^b
	International Standards	ISO 898-1	ISO 3506-1 ^c
Tolerance	Product grade	A	
	International Standard	ISO 4759-1	
Hexalobular socket	International Standard	ISO 10664	
Finish — Coating		As processed	Clean and bright
		Requirements for electroplating are specified in ISO 4042.	A method for passivation is specified in ISO 16048.
		Requirements for non-electrolytically applied zinc flake coatings are specified in ISO 10683. Requirements for hot dip galvanizing are specified in ISO 10684.	
	Additional requirements or other finishes or coatings shall be agreed between the supplier and the purchaser.		
Surface integrity		Limits for surface discontinuities are specified in ISO 6157-1.	—
Acceptability	The acceptance procedure is specified in ISO 3269.		
<p>^a Because of their head configurations, these screws might not meet the minimum ultimate tensile loads specified in ISO 898-1. They shall meet the other requirements for the respective property class specified in ISO 898-1.</p> <p>In addition, when full-size screws are tensile tested in accordance with ISO 898-1, they shall withstand the reduced minimum ultimate tensile loads given in Table 3. When tested to the ultimate tensile load, the fracture might occur in the threaded section, the head, the shank or at the head/shank junction.</p> <p>^b The marking symbols for stainless steel fasteners with reduced loadability are intended to be included in the next revision of ISO 3506-1.</p> <p>^c Because of their head configurations, these screws might not meet the minimum ultimate tensile loads specified in ISO 3506-1. They shall meet the other requirements for the respective steel grade specified in ISO 3506-1.</p> <p>In addition, when full-size screws are tensile tested in accordance with ISO 3506-1, they shall withstand the reduced minimum ultimate tensile loads given in Table 3. When tested to failure, the fracture might occur in the threaded section, the head, the shank or at the head/shank junction.</p> <p>For reduced minimum ultimate tensile load values determined on the basis of $R_{m,min}$ and $A_{s,nom}$ according to property classes 50 and 70 of ISO 3506-1, see Table 3.</p>			

Table 3 — Reduced minimum ultimate tensile loads for hexalobular socket countersunk flat head screws

Thread, <i>d</i>	Property class			
	4.8 ^a	8.8 ^a	50 ^b	70 ^b
	Reduced minimum ultimate tensile load			
	N			
M2	—	—	820	1 160
M2,5	—	—	1 350	1 900
M3	1 690	3 220	2 010	2 810
M3,5	2 280	4 340	2 710	3 790
M4	2 950	5 620	3 510	4 910
M5	4 770	9 080	5 680	7 950
M6	6 750	12 900	8 000	11 200
M8	12 300	23 400	14 600	20 400
M10	19 500	37 100	23 200	32 400

^a 80 % of the values for $F_{m,min}$ specified in ISO 898-1.

^b 80 % of the values for $F_{m,min}$ ($R_{m,min} \times A_{s,nom}$). $R_{m,min}$ and $A_{s,nom}$ are specified in ISO 3506-1.

5 Marking

When requested, screws of diameter M5 and above with reduced loadability shall be marked:

- for steel fasteners in accordance with ISO 898-1;
- for stainless steel fasteners in accordance with ISO 3506-1, but with the marking symbols specified in [Table 2](#).

6 Designation

The designation requirements for fasteners with reduced loadability shall apply for all sizes:

- for steel fasteners as specified in ISO 898-1;
- for stainless steel fasteners as specified in this International (product) Standard in addition to ISO 3506-1.

EXAMPLE 1 A hexalobular socket countersunk flat head screw with thread M5, nominal length $l = 20$ mm and property class 4.8 in accordance with ISO 898-1 is designated as follows:

Hexalobular socket countersunk flat head screw ISO 14581 - M5 × 20 - 04.8

EXAMPLE 2 A hexalobular socket countersunk flat head screw with thread M5, nominal length $l = 20$ mm, stainless steel grade A2 and property class 50 in accordance with ISO 3506-1 is designated as follows:

Hexalobular socket countersunk flat head screw ISO 14581 - M5 × 20 - A2-050

Bibliography

- [1] ISO 888, *Fasteners — Bolts, screws and studs — Nominal lengths and thread lengths*
- [2] ISO 14582, *Hexalobular socket countersunk head screws, high head*

