

# INTERNATIONAL STANDARD

# ISO 14508

Second edition  
2006-03-01

---

---

## Road vehicles — Spark-plugs — Terminals

*Véhicules routiers — Bougies d'allumage — Bornes*



Reference number  
ISO 14508:2006(E)

© ISO 2006

**PDF disclaimer**

This PDF file may contain embedded typefaces. In accordance with Adobe's licensing policy, this file may be printed or viewed but shall not be edited unless the typefaces which are embedded are licensed to and installed on the computer performing the editing. In downloading this file, parties accept therein the responsibility of not infringing Adobe's licensing policy. The ISO Central Secretariat accepts no liability in this area.

Adobe is a trademark of Adobe Systems Incorporated.

Details of the software products used to create this PDF file can be found in the General Info relative to the file; the PDF-creation parameters were optimized for printing. Every care has been taken to ensure that the file is suitable for use by ISO member bodies. In the unlikely event that a problem relating to it is found, please inform the Central Secretariat at the address given below.

© ISO 2006

All rights reserved. Unless otherwise specified, no part of this publication may be reproduced or utilized in any form or by any means, electronic or mechanical, including photocopying and microfilm, without permission in writing from either ISO at the address below or ISO's member body in the country of the requester.

ISO copyright office  
Case postale 56 • CH-1211 Geneva 20  
Tel. + 41 22 749 01 11  
Fax + 41 22 749 09 47  
E-mail [copyright@iso.org](mailto:copyright@iso.org)  
Web [www.iso.org](http://www.iso.org)

Published in Switzerland

## Foreword

ISO (the International Organization for Standardization) is a worldwide federation of national standards bodies (ISO member bodies). The work of preparing International Standards is normally carried out through ISO technical committees. Each member body interested in a subject for which a technical committee has been established has the right to be represented on that committee. International organizations, governmental and non-governmental, in liaison with ISO, also take part in the work. ISO collaborates closely with the International Electrotechnical Commission (IEC) on all matters of electrotechnical standardization.

International Standards are drafted in accordance with the rules given in the ISO/IEC Directives, Part 2.

The main task of technical committees is to prepare International Standards. Draft International Standards adopted by the technical committees are circulated to the member bodies for voting. Publication as an International Standard requires approval by at least 75 % of the member bodies casting a vote.

Attention is drawn to the possibility that some of the elements of this document may be the subject of patent rights. ISO shall not be held responsible for identifying any or all such patent rights.

ISO 14508 was prepared by Technical Committee ISO/TC 22, *Road vehicles*, Subcommittee SC 1, *Ignition equipment*.

This second edition cancels and replaces the first edition (ISO 14508:1997), which has been technically revised.



# Road vehicles — Spark-plugs — Terminals

## 1 Scope

This International Standard specifies the dimensions of the solid post terminals and threaded terminals for spark-plugs for use with spark ignition engines.

## 2 Normative references

The following referenced documents are indispensable for the application of this document. For dated references, only the edition cited applies. For undated references, the latest edition of the referenced document (including any amendments) applies.

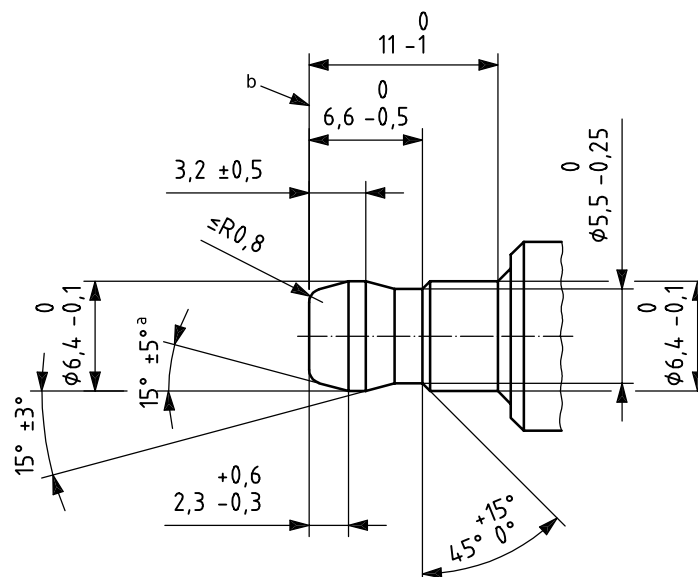
ISO 68-1, *ISO general purpose screw threads — Basic profile — Part 1: Metric screw threads*

ISO 261, *ISO general purpose metric screw threads — General plan*

## 3 Solid post terminal dimensions

The dimensions of solid post terminals shall be in accordance with Figure 1.

Dimensions in millimetres



### Key

- a For existing products, values between  $7^\circ$  and  $30^\circ$  are allowed.
- b Reference plane.

Figure 1 — Solid post terminal

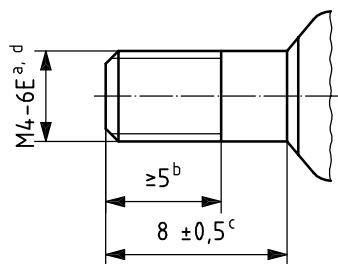
Nuts for use with threaded terminals shall have the same external dimensions as those of the solid post terminal, and shall have internal threads to 6H tolerance prior to assembly on the threaded terminals.

The measurement of the minimum diameter of 6,3 mm shall be taken at any or all points around the post circumference. A ring gauge shall be used for measuring the maximum diameter of 6,4 mm.

#### 4 Threaded terminal dimensions

The dimensions of threaded terminals shall be in accordance with Figure 2.

Dimensions in millimetres



#### Key

- a 0,7 mm pitch complying with ISO 68-1 and with ISO 261.
- b Length of usable thread.
- c Cylindrical part.
- d Depending on manufacturing process, class 7E is acceptable on finished product.

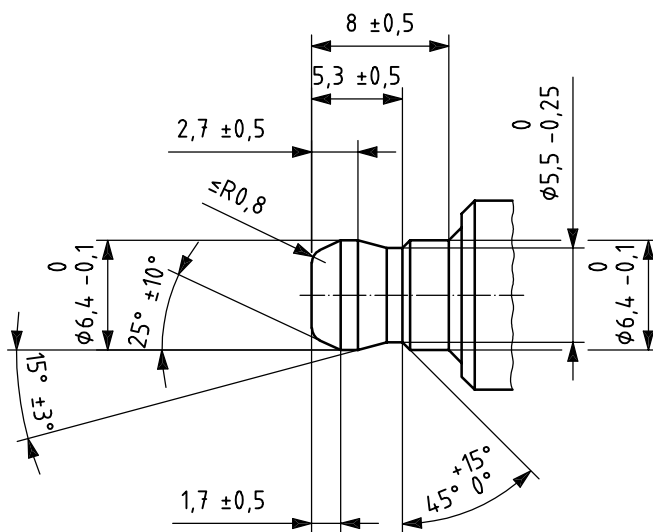
Figure 2 — Threaded terminal

**Annex A**  
(informative)

**Optional terminals for compact spark-plugs**

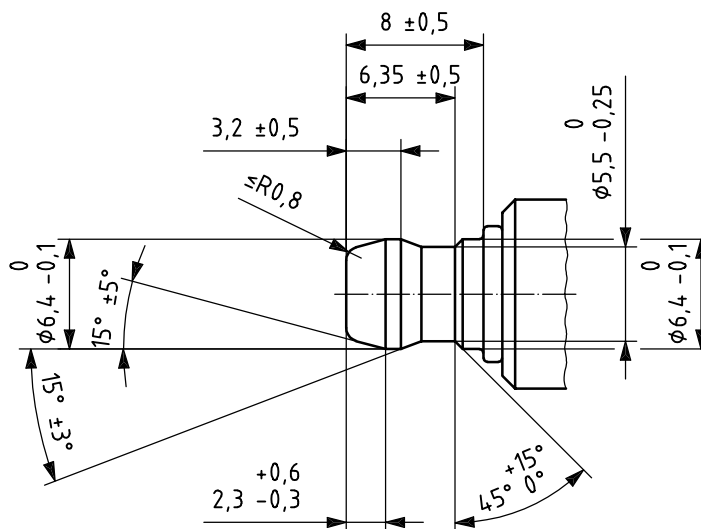
This annex specifies the dimensions of the solid post terminals and threaded terminals for non-automotive application spark-plugs.

Dimensions in millimetres

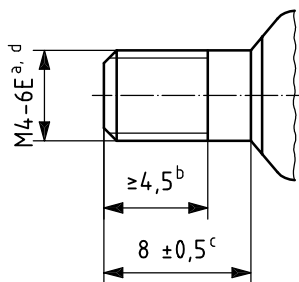


**Figure A.1 — Solid post terminal for compact spark-plugs**

Dimensions in millimetres



**Figure A.2 — Alternative solid post terminal for compact spark-plugs**



**Key**

- a 0,7 mm pitch complying with ISO 68-1 and with ISO 261.
- b Length of usable thread.
- c Cylindrical part.
- d Depending on manufacturing process, class 7E is acceptable on finished product.

**Figure A.3 — Threaded terminal for compact spark-plugs**



Copyright International Organization for Standardization

---

---

**ICS 43.060.50**

Price based on 4 pages