

---

---

**Optics and optical instruments — Test  
methods for telescopic systems —**

**Part 4:  
Test methods for astronomical  
telescopes**

*Optique et instruments d'optique — Méthodes d'essai pour systèmes  
télescopiques—*

*Partie 4: Méthodes d'essai pour télescopes astronomiques*



Reference number  
ISO 14490-4:2005(E)

© ISO 2005

**PDF disclaimer**

This PDF file may contain embedded typefaces. In accordance with Adobe's licensing policy, this file may be printed or viewed but shall not be edited unless the typefaces which are embedded are licensed to and installed on the computer performing the editing. In downloading this file, parties accept therein the responsibility of not infringing Adobe's licensing policy. The ISO Central Secretariat accepts no liability in this area.

Adobe is a trademark of Adobe Systems Incorporated.

Details of the software products used to create this PDF file can be found in the General Info relative to the file; the PDF-creation parameters were optimized for printing. Every care has been taken to ensure that the file is suitable for use by ISO member bodies. In the unlikely event that a problem relating to it is found, please inform the Central Secretariat at the address given below.

© ISO 2005

All rights reserved. Unless otherwise specified, no part of this publication may be reproduced or utilized in any form or by any means, electronic or mechanical, including photocopying and microfilm, without permission in writing from either ISO at the address below or ISO's member body in the country of the requester.

ISO copyright office  
Case postale 56 • CH-1211 Geneva 20  
Tel. + 41 22 749 01 11  
Fax + 41 22 749 09 47  
E-mail [copyright@iso.org](mailto:copyright@iso.org)  
Web [www.iso.org](http://www.iso.org)

Published in Switzerland

## Foreword

ISO (the International Organization for Standardization) is a worldwide federation of national standards bodies (ISO member bodies). The work of preparing International Standards is normally carried out through ISO technical committees. Each member body interested in a subject for which a technical committee has been established has the right to be represented on that committee. International organizations, governmental and non-governmental, in liaison with ISO, also take part in the work. ISO collaborates closely with the International Electrotechnical Commission (IEC) on all matters of electrotechnical standardization.

International Standards are drafted in accordance with the rules given in the ISO/IEC Directives, Part 2.

The main task of technical committees is to prepare International Standards. Draft International Standards adopted by the technical committees are circulated to the member bodies for voting. Publication as an International Standard requires approval by at least 75 % of the member bodies casting a vote.

Attention is drawn to the possibility that some of the elements of this document may be the subject of patent rights. ISO shall not be held responsible for identifying any or all such patent rights.

ISO 14490-4 was prepared by Technical Committee ISO/TC 172, *Optics and photonics*, Subcommittee SC 4, *Telescopic systems*.

ISO 14490 consists of the following parts, under the general title *Optics and optical instruments — Test methods for telescopic systems*:

- *Part 1: Test methods for basic characteristics*
- *Part 2: Test methods for binocular systems*
- *Part 3: Test methods for telescopic sights*
- *Part 4: Test methods for astronomical telescopes*
- *Part 5: Test methods for transmittance*
- *Part 6: Test methods for veiling glare index*
- *Part 7: Test methods for limit of resolution*

The following part is under preparation:

- *Part 8: Test methods for night-vision devices*



# Optics and optical instruments — Test methods for telescopic systems —

## Part 4: Test methods for astronomical telescopes

### 1 Scope

This part of ISO 14490 is applicable to amateur astronomical telescopes.

For general optical test methods of telescopic systems see ISO 14490-1.

### 2 Normative references

The following referenced documents are indispensable for the application of this document. For dated references, only the edition cited applies. For undated references, the latest edition of the referenced document (including any amendments) applies.

ISO 8596, *Ophthalmic optics — Visual acuity testing — Standard optotype and its presentation*

ISO 14132-1:2002, *Optics and optical instruments — Vocabulary for telescopic systems — Part 1: General terms and alphabetical indexes of terms in ISO 14132*

ISO 14132-4:2002, *Optics and optical instruments — Vocabulary for telescopic systems — Part 4: Terms for astronomical telescopes*

ISO 14490-1:2005, *Optics and optical instruments — Test methods for telescopic systems — Part 1: Test methods for basic characteristics*

### 3 Terms and definitions

For the purposes of this document, the terms and definitions given in ISO 14132-1 and ISO 14132-4 apply.

### 4 Optical test methods for astronomical telescopes

Typical test methods are shown here, and other similar methods are acceptable.

#### 4.1 Clear aperture of objective

The clear aperture of the objective shall be measured by one of the following methods.

- a) Measure the unobstructed diameter of the objective lens of refracting telescopes and finder telescopes or that of the main mirror of reflecting telescopes by means of an appropriate linear measuring instrument.
- b) Set the focus of the optical system of the telescope or finder telescope to infinity using a dioptric tester. Set a bundle of parallel rays at zero incidence angle using a collimator on the eyepiece side, project the exit bundle of rays from the objective onto a screen perpendicular to the optical axis and measure its diameter.

- c) Using a piece of ground glass let diffuse light be incident on the eyepiece side of the telescope or the finder telescope, and measure the minimum value of the aperture of the objective by using a travelling microscope parallel to the optical axis in object space, which can be moved across the diameter of the objective.

## 4.2 Focal lengths of objective and eyepiece

The test methods for the focal lengths of objective and eyepiece shall be as given in 4.2.1 or 4.2.2.

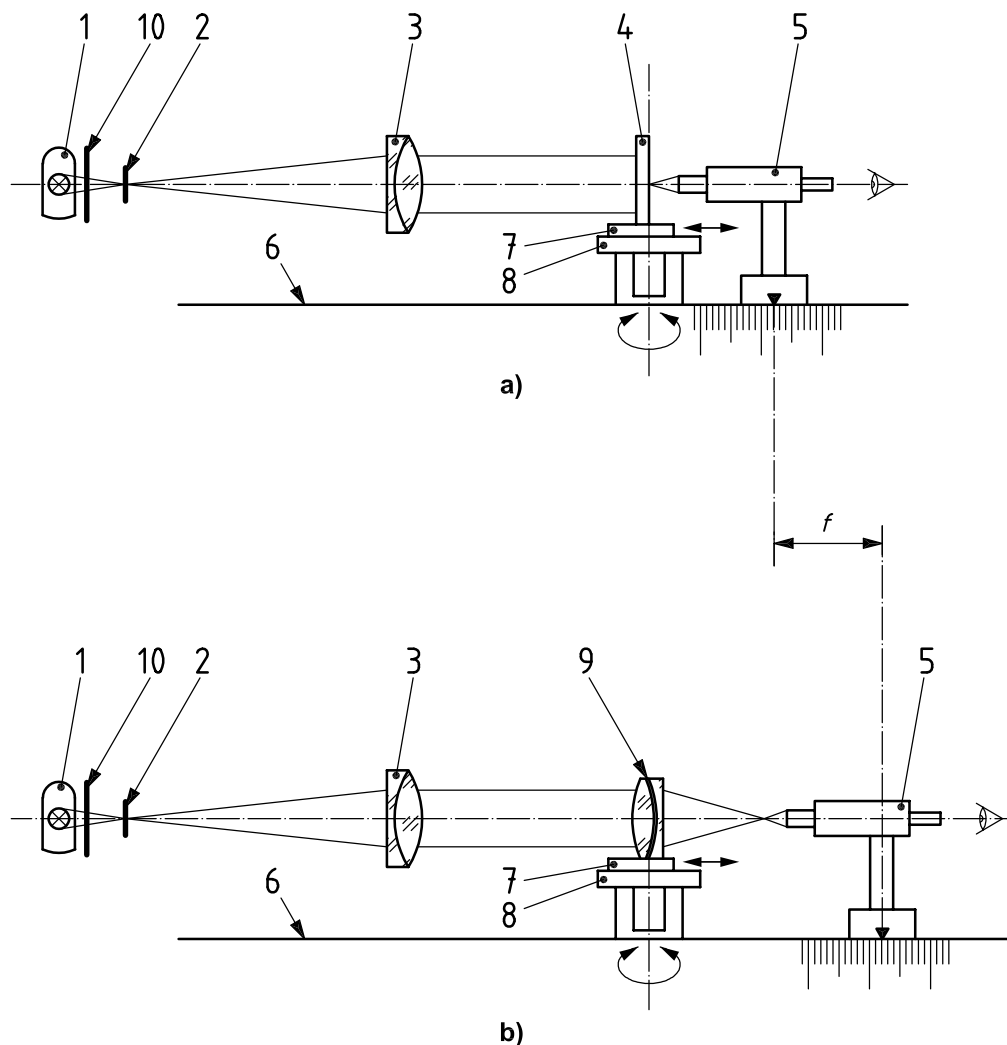
### 4.2.1 Focal length of objective lens and eyepiece (nodal slide method)

Refer to Figure 1. Arrange the rotary table (item 8 in Figure 1) (nodal slide stand), so that the axis of rotation is perpendicular to the optical axis of the collimator lens (item 3) on an optical bench (item 6). Place a reticle (item 2) at the focal plane of the collimator. On the rotary table, a slide stand (item 7) is moving in the direction of the optical axis of the microscope (item 5), which has its optical axis approximately coinciding with that of the collimator. Measure the focal length  $f$  in accordance with 4.2.1.1 to 4.2.1.3.

**4.2.1.1** Install the alignment reticle (item 4 in Figure 1) on the slide stand (item 7) so that the alignment reticle (item 4) coincides with the axis of the rotation of the rotary table (item 8), as shown in Figure 1 a). While adjusting the microscope (item 5) so that the reticle (item 4) can be seen clearly, read out the position of the microscope on the optical bench (item 6) and stop when the position of the reticle (item 4) is such that, when it is slightly rotated about its vertical axis, there is no lateral movement of the image.

**4.2.1.2** Remove the alignment reticle (item 4) and mount the objective lens (item 9) under test on the slide stand (item 7) in front of the collimator. Adjust the microscope (item 5) until the sharp image of the collimator reticle (item 2) formed by the lens under test can be seen clearly. Set the rear nodal plane of the lens under test to coincide with the axis of rotation of the rotary table (item 8), as shown in Figure 1 b), i.e. when the rotary table is slightly rotated about its vertical axis, the image of the collimator reticle is stationary. Read out the new position of the microscope on the optical bench.

**4.2.1.3** The equivalent focal length  $f$  of the objective lens to be measured is the difference between the positions of the microscope in 4.2.1.1 and 4.2.1.2.



**Key**

- 1 light source
  - 2 collimator reticle
  - 3 collimator lens
  - 4 alignment reticle
  - 5 microscope with numerical aperture 0,1 or higher
  - 6 optical bench
  - 7 slide stand
  - 8 rotary table
  - 9 objective lens or eyepiece under test
  - 10 green filter (max. transmittance about 0,55  $\mu\text{m}$ )
- $f$  focal length

**Figure 1 — Measurement of the focal lengths of objective lens or eyepiece**

#### 4.2.2 Focal length of objective mirror (method using a microscope with illuminator)

The test method described below does not apply to objective mirrors with central obscuration.

Let the axis of rotation of the rotary table be perpendicular to the optical axis and lie in the same plane as the optical axis of the microscope with illuminator (item 3) as shown in Figure 2, and measure in accordance with the following procedures.

The rotating mechanism of the rotary table shall be used for alignment of the optical axis of the objective mirror (item 2) under test with that of a microscope with illuminator.

Let the axis of rotation of the rotary table be perpendicular to the optical axis and lie in the same plane as the optical axis of the microscope with illuminator and place the reticle (item 5) in the object plane of the microscope, parallel to the axis of rotation.

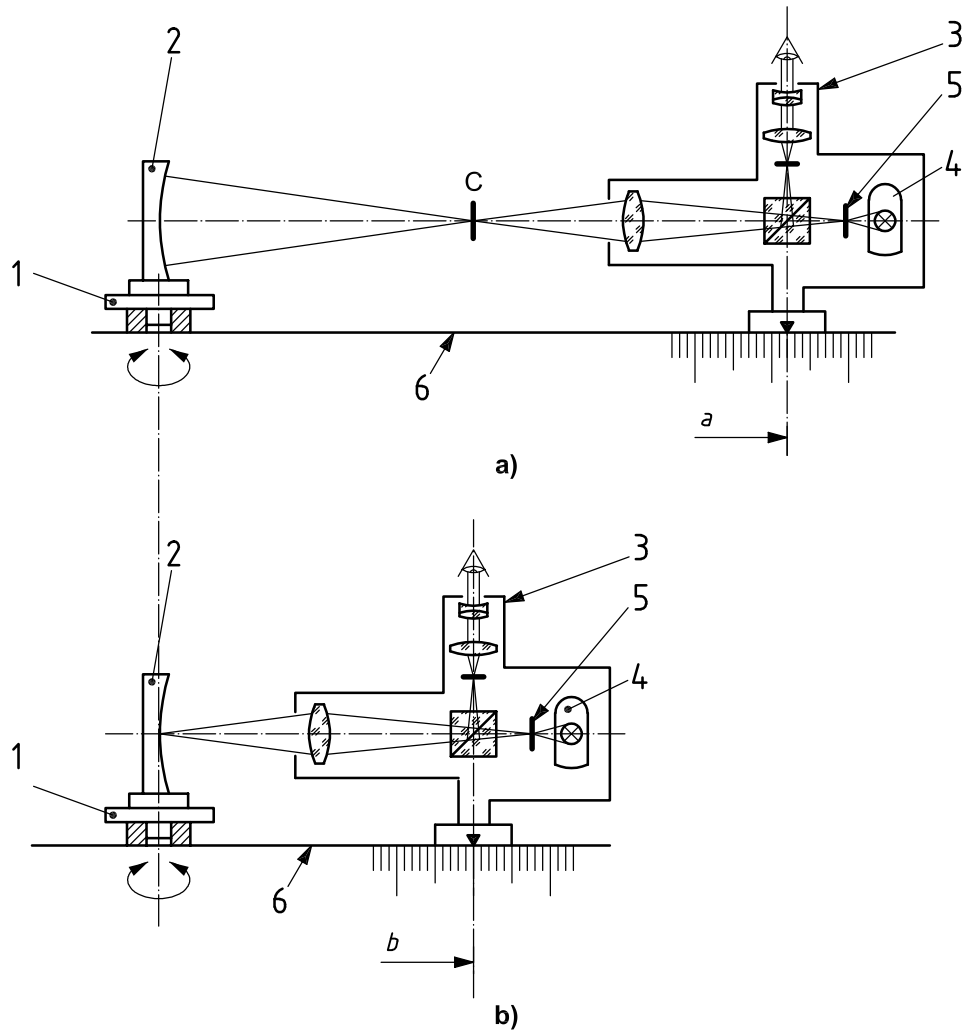
**4.2.2.1** As shown in Figure 2 a), mount the objective mirror to be measured on the rotary table in front of the microscope with illuminator.

**4.2.2.2** Move the microscope with illuminator to the position where the image of the reticle can be seen clearly and read out its position  $a$  on the optical bench.

**4.2.2.3** Next, read out the position  $b$  of the microscope with illuminator on the optical bench, where the image of the reticle, which has been reflected at the centre of the objective mirror, can be seen clearly, as in Figure 2 b).

**4.2.2.4** The focal length of the objective mirror to be measured is equal to half the difference between the readings of the positions of the microscope with illuminator in positions 4.2.2.2 and 4.2.2.3, (e.g.  $0,5 | a - b |$ ).



**Key**

- 1 rotary table
- 2 mirror under test
- 3 microscope having the numerical aperture 0,1 or higher, with illuminator
- 4 light source
- 5 reticle
- 6 optical bench
- C centre of curvature of the mirror under test

**Figure 2 — Measurement of focal length of objective mirror**

**4.3 Resolution**

The resolution shall be measured by the following method.

**4.3.1 Resolution of main telescope**

For measurement of the resolution of the telescope, a well-designed eyepiece should be used by a person with good eyesight (compensated visual acuity of 1,0 or over, measured in accordance with ISO 8596).

A test target with two pinholes should be observed through a collimator.

The separation between the two pinholes in the target should be in accordance with the Rayleigh criterion defined in ISO 14132-4, taking into account the focal length of the collimator and of the instrument under test.

The resolution is determined when the images of the two pinholes are observed as just resolved.

Use an excellent, well-designed eyepiece for measurement with an exit pupil diameter of 0,5 mm.

A test target of double pinholes shall be as shown in Figure 3.

In order to maintain accuracy, the diameter  $d$  of the test pinholes relative to their separation  $s$  should be small,  $d \leq 0,5 s$ .

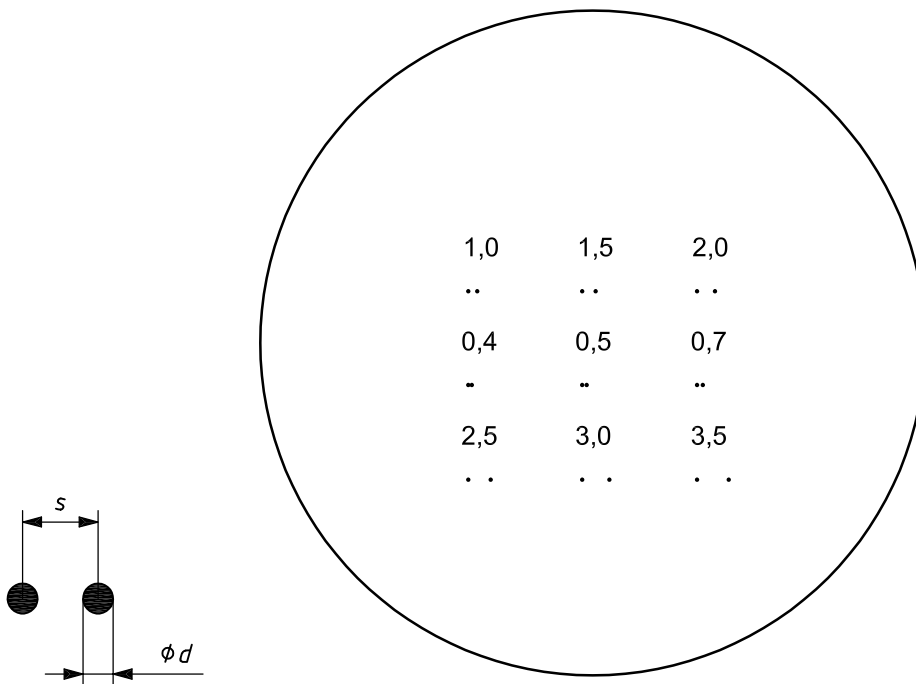
It is recommended that the focal length of the collimator objective for testing the main telescope and finder telescope be greater than 2 000 mm.

It is recommended to measure and state the usable image plane diameter of the objective alone to where the resolution drops twice to axial.

**4.3.2 Resolution of finder telescope**

Refer to ISO 14490-7 for the measuring method of the resolution for the finder.

Values in seconds of arc



$d_{min} = 0,002 \text{ mm}$

Pinhole separations of test target (collimator focal length: 2 500 mm)	
Seconds of arc	$s$ mm
0,4	0,005
0,5	0,006
0,7	0,008
1,0	0,012
1,5	0,018
2,0	0,024
2,5	0,030
3,0	0,036
3,5	0,042

Figure 3 — Test target and example of resolution test of main telescope

## 5 Test report

A test report shall be presented including the test results and the following information:

- a) test method;
- b) date of test;
- c) identification of the test specimen;
- d) details about the test arrangement and/or procedure, if required and/or if different from those specified in this part of ISO 14490;
- e) reference to this part of ISO 14490, i.e. ISO 14490-4:2005;
- f) name of the test laboratory;
- g) name of the examiner.

## Bibliography

- [1] ISO 14490-7, *Optics and optical instruments — Test methods for telescopic systems — Part 7: Test methods for limit of resolution*



---

---

**ICS 37.020**

Price based on 8 pages