

---

---

**Implants for surgery — Wear of total hip-joint prostheses —**

Part 3:

**Loading and displacement parameters for orbital bearing type wear testing machines and corresponding environmental conditions for test**

*Implants chirurgicaux — Usure des prothèses totales de l'articulation de la hanche —*

*Partie 3: Paramètres de charge et de déplacement pour machines d'essai d'usure du type orbital de maintien et conditions environnementales correspondantes d'essai*



Reference number  
ISO 14242-3:2009(E)

© ISO 2009

**PDF disclaimer**

This PDF file may contain embedded typefaces. In accordance with Adobe's licensing policy, this file may be printed or viewed but shall not be edited unless the typefaces which are embedded are licensed to and installed on the computer performing the editing. In downloading this file, parties accept therein the responsibility of not infringing Adobe's licensing policy. The ISO Central Secretariat accepts no liability in this area.

Adobe is a trademark of Adobe Systems Incorporated.

Details of the software products used to create this PDF file can be found in the General Info relative to the file; the PDF-creation parameters were optimized for printing. Every care has been taken to ensure that the file is suitable for use by ISO member bodies. In the unlikely event that a problem relating to it is found, please inform the Central Secretariat at the address given below.



**COPYRIGHT PROTECTED DOCUMENT**

© ISO 2009

All rights reserved. Unless otherwise specified, no part of this publication may be reproduced or utilized in any form or by any means, electronic or mechanical, including photocopying and microfilm, without permission in writing from either ISO at the address below or ISO's member body in the country of the requester.

ISO copyright office  
Case postale 56 • CH-1211 Geneva 20  
Tel. + 41 22 749 01 11  
Fax + 41 22 749 09 47  
E-mail [copyright@iso.org](mailto:copyright@iso.org)  
Web [www.iso.org](http://www.iso.org)

Published in Switzerland

# Contents

Page

Foreword.....	iv
Introduction .....	v
1 Scope .....	1
2 Normative references .....	1
3 Terms and definitions.....	1
4 Principle .....	2
5 Reagents and test specimens .....	2
6 Apparatus .....	3
7 Procedure .....	6
8 Test report .....	7
9 Disposal of test specimen .....	8
Bibliography .....	9

## Foreword

ISO (the International Organization for Standardization) is a worldwide federation of national standards bodies (ISO member bodies). The work of preparing International Standards is normally carried out through ISO technical committees. Each member body interested in a subject for which a technical committee has been established has the right to be represented on that committee. International organizations, governmental and non-governmental, in liaison with ISO, also take part in the work. ISO collaborates closely with the International Electrotechnical Commission (IEC) on all matters of electrotechnical standardization.

International Standards are drafted in accordance with the rules given in the ISO/IEC Directives, Part 2.

The main task of technical committees is to prepare International Standards. Draft International Standards adopted by the technical committees are circulated to the member bodies for voting. Publication as an International Standard requires approval by at least 75 % of the member bodies casting a vote.

Attention is drawn to the possibility that some of the elements of this document may be the subject of patent rights. ISO shall not be held responsible for identifying any or all such patent rights.

ISO 14242-3 was prepared by Technical Committee ISO/TC 150, *Implants for surgery*, Subcommittee SC 4, *Bone and joint replacements*.

ISO 14242 consists of the following parts, under the general title *Implants for surgery — Wear of total hip-joint prostheses*:

- *Part 1: Loading and displacement parameters for wear-testing machines and corresponding environmental conditions for test*
- *Part 2: Methods of measurement*
- *Part 3: Loading and displacement parameters for orbital bearing type wear testing machines and corresponding environmental conditions for test*

## Introduction

The orbital bearing hip wear simulator (OBM) is widely used and has been successful in evaluating the wear properties of Total Hip Arthroplasty (THA) articulating surfaces. These test results have been shown to correlate well with clinical experience. Since this type of test machine is widely used, it is important that the parameters be standardized to make the results more uniform and comparable between laboratories.

This test method differs from that in ISO 14242-1 in the articulating motion of the test. Although the motion of the OBM is simpler and less anatomic than the motion described in ISO 14242-1, OBM hip simulators have been used to evaluate the wear of THA articulating components for more than 25 years. The equipment is used globally for wear testing of THA components, and has been very successful in reproducing the types and amounts of wear that occur *in vivo* with a wide variety of bearing materials, including polyethylene, metals and ceramics. Because of this, tests on OBM machines have provided very accurate predictions of the subsequent clinical performance of newly developed materials. This is particularly true for the new crosslinked polyethylenes. Several recent reports with more than five years of follow up have shown percent reductions in wear, compared to historical polyethylene, that are very close to those that were predicted as much as ten years earlier in tests run on OBM hip simulators.



# Implants for surgery — Wear of total hip-joint prostheses —

## Part 3:

# Loading and displacement parameters for orbital bearing type wear testing machines and corresponding environmental conditions for test

## 1 Scope

This part of ISO 14242 specifies relative angular movement between articulating components, the pattern of the applied force, speed and duration of testing, sample configuration and test environment to be used for the orbital bearing type wear testing of total hip joint prostheses.

## 2 Normative references

The following referenced documents are indispensable for the application of this document. For dated references, only the edition cited applies. For undated references, the latest edition of the referenced document (including any amendments) applies.

ISO 14242-2, *Implants for surgery — Wear of total hip joint prostheses — Part 2: Methods of measurement*

## 3 Terms and definitions

For the purposes of this document, the following terms and definitions apply.

### 3.1

#### **abduction**

#### **adduction**

motion about an axis arranged in an anterior-posterior direction through the hip joint

NOTE 1 Movement of the femur away from the midline of the torso is termed abduction. Movement of the femur toward the torso midline is known as adduction.

NOTE 2 Angular movement is shown in Figure 1 a).

### 3.2

#### **flexion**

#### **extension**

motion that occurs about a transverse axis through the hip joint

NOTE 1 Movement at a joint, which decreases the angle between the torso and the femur, is termed flexion. The opposite action is termed extension, where the angle between the torso and the femur is increased.

NOTE 2 Angular movement is shown in Figure 1 b).

### 3.3

#### **inward rotation**

#### **outward rotation**

component of internal/external motion

NOTE 1 The OBM hip simulator does not apply an independent “inward/outward” motion to the hip (i.e., about the long axis of the femur.) However, Saikko et al.<sup>[8]</sup> pointed out that the anti-rotation lever that is connected to each test chamber of an OBM machine induces a component of internal-external rotation to the motion path, effectively converting the OBM into a 3-axis machine. The mechanism of the OBM simulator induces a crossing-path component to the relative motion of the bearing surfaces. Because of this, as was demonstrated in detail by Wang et al.<sup>[13]</sup>, the magnitude of the shear stress and the amount of change of direction of this stress during the loaded part of the gait cycle are comparable to that which occurs in a hip replacement *in vivo*.

NOTE 2 Angular movement is shown in Figure 1 c).

### 3.4

#### **polar axis**

axis of the acetabular component, which intersects the centre of the spherical articulating surface and is perpendicular to the plane of the flange or, if no flange is present, perpendicular to the plane of the entry diameter

## 4 Principle

The femoral and acetabular components of a test specimen are placed in position in their normal configuration and the apparatus transmits a specified time-dependent force between the components together with specified relative angular displacements. A control specimen, if polymers are the object of investigation, is subjected to the same time-dependent force to determine the creep of the test specimen and/or the amount of mass change due to fluid transfer. The test takes place in a controlled environment simulating physiological conditions.

## 5 Reagents and test specimens

**5.1 Fluid test medium**, calf serum approximately 25 % volume fraction diluted with de-ionized water (balance).

The fluid test medium should be filtered through a filter of pore size 2 µm and have a protein mass concentration of not less than 17 g/l.

To minimize microbial contamination, the fluid test medium should be stored frozen until required for test. An anti-microbial reagent (such as sodium azide) may be added. Such reagents can be potentially hazardous.

Routine monitoring of the pH of the fluid test medium can be undertaken. If it is, the values should be included in the test report (see Clause 8).

NOTE The use of a fluid test medium of non-biological origin can be considered when performance requirements relating to this test method are being decided.

**5.2 Test specimen**, femoral head and acetabular components.

The acetabular component shall have the articulating surface attached by its normal immediate backing (for example bone cement or a machined replica of the inner surface of the backing) unless this is impractical due to physical features of the implant system. If the component forming the articulating surface is fixed to the backing by a rim/snap-fit system the machined replica shall provide the same fixation conditions. If it is not practical to use the normal backing or cement fixation due to physical features of the implant system, the support system for the acetabular component should represent normal design features and conditions of use but should allow removal of the component for measurement of wear without destruction.



Consideration should be given to the condition of the test specimen. This condition should represent the final sterile implanted condition where possible unless processing effects are under investigation.

NOTE It can be useful to characterize specimens prior to testing. Profilometry, hardness, photomicrography and other analytical techniques can be used.

### 5.3 Control specimen, identical to test specimen.

Consideration should be given to the condition of the control specimen. This condition should represent the final sterile implanted condition where possible unless processing effects are under investigation.

NOTE It can be useful to characterize specimens prior to testing. Profilometry, hardness, photomicrography and other analytical techniques can be used.

## 6 Apparatus

**6.1 Testing machine**, capable of producing the angular displacements prescribed in Figures 1 and 2 in association with the corresponding forces prescribed in Figures 1 and 3 and operating at a frequency of  $1 \text{ Hz} \pm 0,1 \text{ Hz}$ .

**6.2 Means of mounting and enclosing the test specimen**, using a corrosion resistant material, capable of holding femoral and acetabular components, using attachment methods comparable to the intended anatomical fixation and an enclosure that is capable of isolating the test specimen to prevent third body contamination from the test machine and the atmosphere.

NOTE Consideration should be given to the support material used to mount femoral and acetabular components to ensure representative force transfer and stress conditions.

**6.3 Means of aligning and positioning the femoral component of the test specimen**, in the inferior position so that its axis is situated at the centre of the axes of rotation of the test machine and so that the same position and orientation can be produced following removal of the component for measurement or cleaning, if required.

NOTE For a modular component, the stem of the implant can be replaced by a support that has an identical cone and assures reproducible positioning of the head.

**6.4 Means of aligning and positioning the acetabular component**, of the test specimen so that its axis is situated at the centre of the axes of rotation of the test machine and so that the same position and orientation can be reproduced following removal of the component for measurement.

**6.5 Motion control system**, capable of generating the angular movements of the femoral component given in Figures 1 and 2 with an accuracy of  $\pm 3^\circ$  at the maxima and minima of the motion and  $\pm 1 \%$  of the cycle time for phasing.

**6.6 Force control system**, capable of generating a force whose direction is shown in Figure 1 and which varies as shown in Figure 3 and maintaining the magnitude of the maxima and minima of this force cycle to a tolerance of  $\pm 3 \%$  of the maximum force value for the cycle and  $\pm 1 \%$  of the cycle time for phasing.

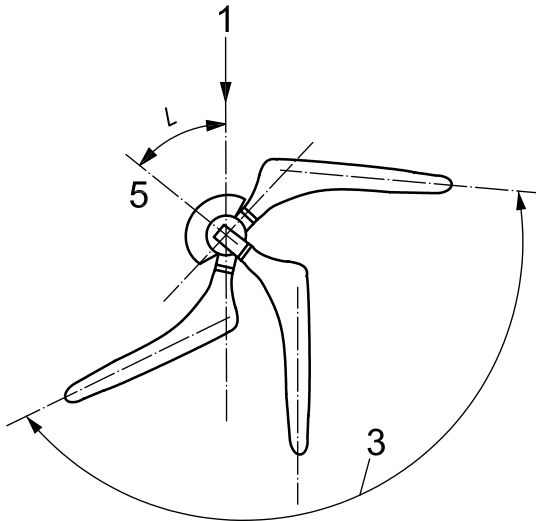
**6.7 Lubrication system**, capable of maintaining the contact surfaces immersed in the fluid test medium and having a minimum available lubricant volume of 200 ml.

NOTE The use of sealed enclosures can prevent evaporation.

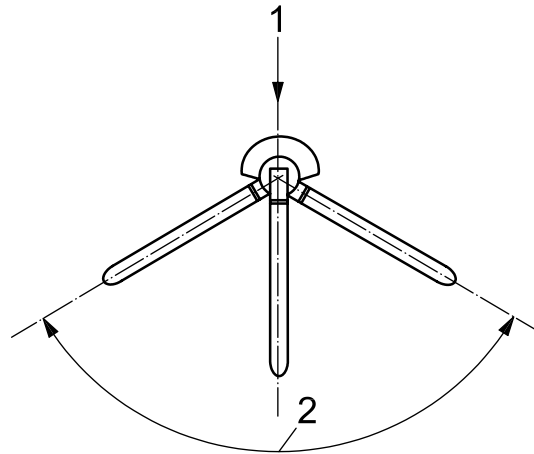
**6.8 Temperature control system**, capable of maintaining the temperature of the fluid test medium (5.1) at  $37^\circ\text{C} \pm 2^\circ\text{C}$ .

NOTE There can be temperature effects on test medium properties.

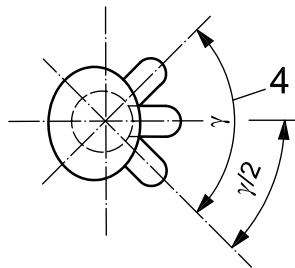
**6.9 Control station(s)**, capable of applying the loading regime shown in Figures 1 and 3 without the angular displacements shown in Figures 1 and 2 and incorporating the provisions of 6.2, 6.3, 6.4, 6.6, 6.7 and 6.8.



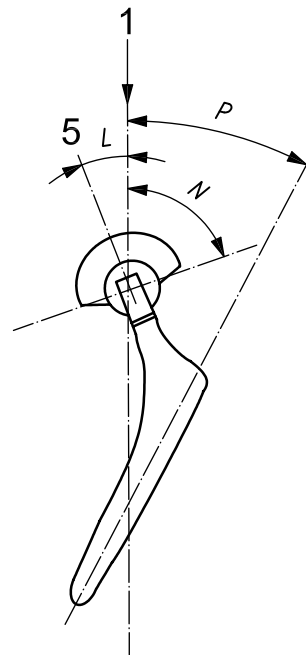
a) Abduction/adduction



b) Flexion/extension



c) Inward/outward rotation



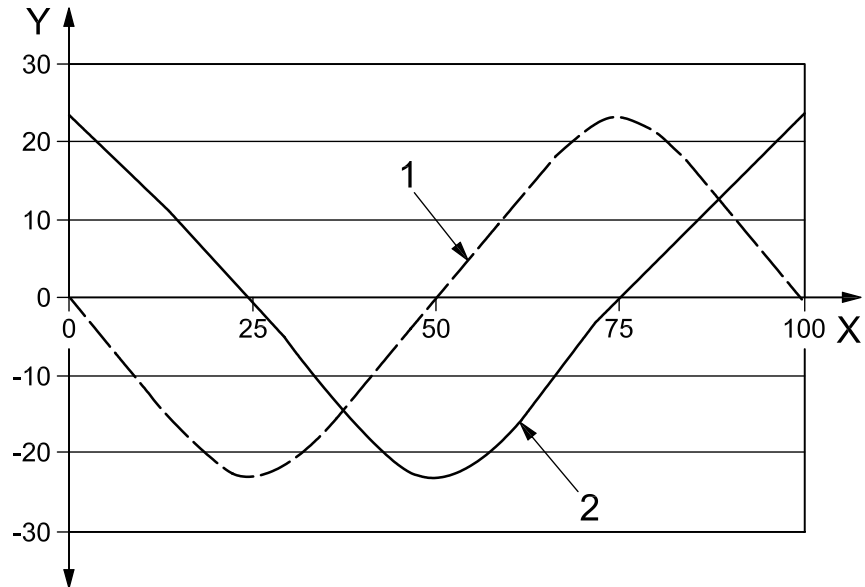
d) Orientation of acetabular component and femoral component in mid position relative to the load line

**Key**

- |                                 |  |
|---------------------------------|--|
| 1 load axis                     | 5 polar axis of acetabular component   |
| 2 flexion/extension angle       | <i>L</i> inclination of the polar axis of the acetabular component to the load line                                      |
| 3 abduction/adduction angle     | <i>N</i> inclination of face of acetabular component equal to $60^\circ \pm 3^\circ$ or as specified by the manufacturer |
| 4 inward/outward rotation angle | <i>P</i> inclination of stem axis to load line in mid-position of abduction/adduction range                              |

NOTE Angles *N*, *L* and *P* are defined in 7.4 and 7.5.

**Figure 1 — Angular movement of femoral component and orientation of components relative to the load line**

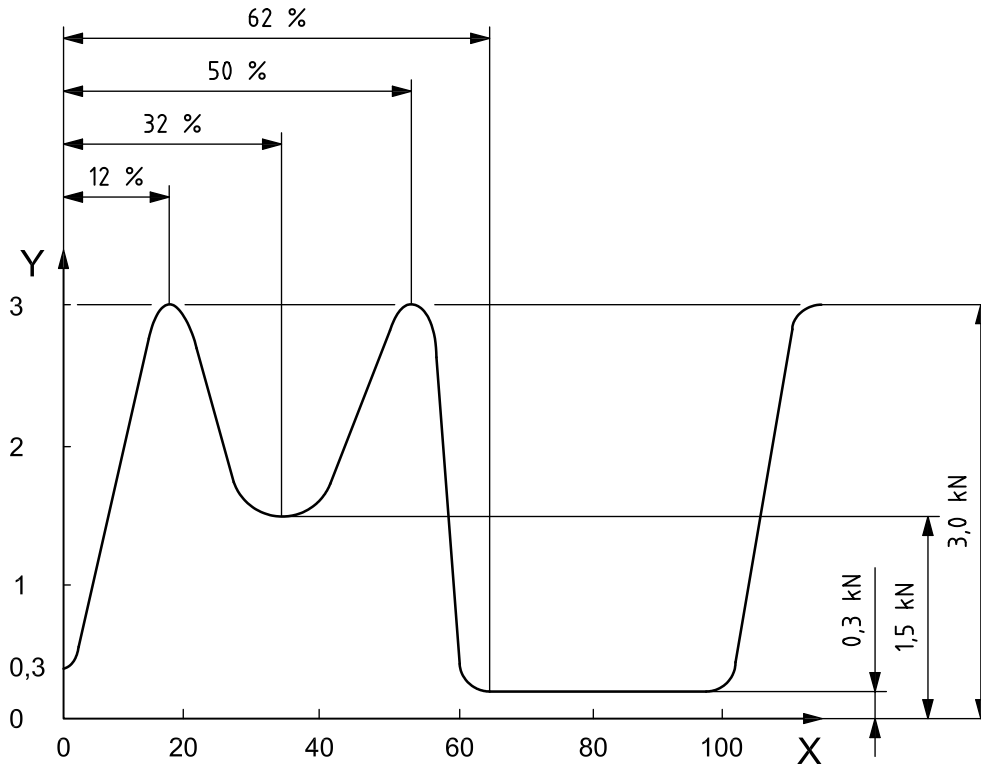


**Key**

- 1 abduction/adduction
- 2 extension/flexion
- X time in percentage cycle time
- Y angle in degrees

Time % of cycle $\pm 1\%$	0	25	50	75	100
Angle of flexion (+) extension (-) $\pm 3^\circ$	23	0	-23	0	23
Angle of abduction (+) adduction (-) $\pm 3^\circ$	0	-23	0	23	0

**Figure 2 — Variation with time of angular movement to be applied to the femoral test specimen**



**Key**

- X time as a percentage of cycle time
- Y applied force in kilonewtons

Time in cycle % ( $\pm 3\%$ )	0	12	32	50	62	100
Applied force kN ( $\pm 90\text{ N}$ )	0,3	3,0	1,5	3,0	0,3	0,3

**Figure 3 — Variation with time of the force to be applied along the loading axis**

**7 Procedure**

- 7.1** Calibrate each test station using a load cell. Undertake this calibration while the load is being developed at other stations, if any, in the test rig.
- 7.2** Clean the test specimens as specified in ISO 14242-2.
- 7.3** Make any initial measurements required to determine the subsequent amount of wear and/or creep.

NOTE Methods of measurement of wear are given in ISO 14242-2.

**7.4** Mount the femoral component of the test specimen in the test machine in the inferior position with its stem in the abduction/adduction position of  $P = 10^\circ \pm 3^\circ$  as shown in Figure 1 a) and in the inward/outward rotation position  $\gamma/2$  as shown in Figure 1 c).

NOTE 1 For a modular component, the stem of the implant can be replaced by a support that has an identical cone and assures reproducible positioning of the head.

NOTE 2 For modular components, positioning representative of clinical orientation (see Figure 1) might be useful.

**7.5** Mount the acetabular component of the test specimen in the test machine with the polar axis vertical as illustrated in the view of Figure 1 b) and inclined at an angle  $L$  as shown in Figure 1 a) where  $L$  equals  $30^\circ \pm 3^\circ$  or, if the manufacturer specifies an angle of inclination of the component on surgical implantation to be  $N$  as shown in Figure 1 d), then  $L = (75 - N)^\circ \pm 3^\circ$ .

**7.6** Take the control specimen and repeat the steps in 7.1, 7.2, 7.3 and 7.4. For implants of a specific design with the same material, shape and dimensions, control data from previous tests can be used.

NOTE Use of previous test control data can introduce systematic error.

**7.7** Introduce the fluid test medium (5.1) to completely immerse the contact surfaces of the test specimen and the control specimen. If the temperature of the fluid test medium is maintained at  $37^\circ\text{C} \pm 2^\circ\text{C}$ , take initial and subsequent measurements at a part representative of the bulk temperature of the fluid.

**7.8** Start the testing machine and adjust it so that the loads and displacements specified in Figures 1, 2 and 3 are applied to the test specimen (see 6.5, 6.6) and the loads specified in Figures 1 and 3 are applied to the control specimen. The curves between the defined maxima and minima in Figures 2 and 3 shall be smooth with no overshoots. Record the displacement and load waveforms at the start up and after each change of fluid test medium if so equipped.

**7.9** Operate the testing machine at a frequency of  $1\text{ Hz} \pm 0,1\text{ Hz}$ .

**7.10** Replace the fluid lost by evaporation during the test by adding de-ionized water at least daily. Replace the fluid test medium completely at least every  $5 \times 10^5$  cycles, or every seven days, whichever is shorter.

**7.11** Stop the test for measurements at  $5 \times 10^5$  cycles and at  $1 \times 10^6$  cycles or earlier and at least every  $1 \times 10^6$  cycles thereafter until the test is terminated (see 7.15).

NOTE More frequent measurements might be useful for some materials.

**7.12** Remove and clean the test specimen and control specimen (as specified in ISO 14242-2) and take wear measurements.

**7.13** Following wear measurements, re-install specimens in the test machine (see 7.4, 7.5).

**7.14** Repeat the steps given in 7.7 to 7.11 until the test is terminated (see 7.15).

**7.15** Continue the test until one of the following occurs:

a) completion of  $5 \times 10^6$  cycles;

NOTE At the request of the party submitting the specimen the test may be continued beyond this limit.

b) breaking up or delamination of the articulating surfaces;

c) failure of the test machine to maintain the force and displacement parameters within the given tolerances (see 6.5, 6.6).

## 8 Test report

The test report shall include the following information:

a) a reference to this part of ISO 14242, i.e., ISO 14242-3:2009;

b) the identity of the test specimens, as stated by the party submitting the specimens for test, including size, material, type, sterilization method and manufacturer;

NOTE Lot codes, fabrication history and detailed material treatment conditions should be described if possible.

- c) a description of the test machine including number of stations, type of systems used for generating motions and forces, range of motions and forces, type of systems used for measuring motions and forces, arrangement for mounting specimen (5.2), arrangement for lubrication of articulating surfaces, arrangement for temperature control, and arrangement for the exclusion of contaminant particles;
- d) whether control specimens were used and if not the reference to the tests from which the control data were taken (consideration shall be given to material soak correction or dimensional correction for accurate wear measurement); an explanation of the approach used shall be given;
- e) the bovine serum lubricant used, including type, lot, protein concentration, volume used, replacement interval and steady-state temperature; filtering should be described if used;
- f) a statement of results including:
  - 1) the total number of cycles applied;
  - 2) the reason for terminating the test if fewer than  $5 \times 10^6$  cycles were applied;
  - 3) a description of all the surfaces of both components at which relative movement has occurred;

NOTE It might be useful to characterize worn surfaces using techniques such as SEM, profilometry etc.

- 4) a description of the condition of the interfaces between sub-components, if the components are of modular construction;
- 5) the values of pH if routine monitoring was undertaken (see 5.1);
- g) details of the method of measurement of wear and the results obtained (see ISO 14242-2), namely:
  - 1) the method of wear measurement (i.e. gravimetric or dimensional);
  - 2) the change of mass for each measurement using the gravimetric method or the change in volume for each measurement using the dimensional method;
  - 3) the wear rate (gravimetric or dimensional method) and method of determination (linear regression etc.);
  - 4) statistical analysis including method and results if used.

NOTE It might be useful to convert wear rates to volumetric values using material density, if known.

## 9 Disposal of test specimen

No part of the test specimen or control specimen shall be used for clinical purposes after testing.

## Bibliography

- [1] ISO 7206-1, *Implants for surgery — Partial and total hip joint prostheses — Part 1: Classification and designation of dimensions*
- [2] CALONIUS, O. and SAIKKO, V., *Analysis of relative motion between femoral head and acetabular cup and advances in computation of the wear factor for the prosthetic hip joint*. 3rd International Conference on Advanced Engineering Design (AED 2003), Prague, June 2003
- [3] CALONIUS, O. and SAIKKO, V., *Force track analysis of contemporary hip simulators*, Journal of Biomechanics, **36**, pp 1719 - 1726, 2003
- [4] ESSNER, A., SCHMIDIG, G. and WANG, A., *The clinical relevance of hip joint simulator testing: In vitro and in vivo comparisons*, Wear **259**, pp 882 - 886, 2005
- [5] SAIKKO, V. and CALONIUS, O., *Slide track analysis of the relative motion between femoral head and acetabular cup in walking and in hip simulators*, Journal of Biomechanics, **35**, pp 455 - 464, 2002
- [6] SAIKKO, V. and CALONIUS, O., *Slide track analysis of eight contemporary hip simulator designs*, Journal of Biomechanics, **35**, 1439 to 1450, 2002
- [7] SAIKKO, V. and CALONIUS, O., *An improved method of computing the wear factor for total hip prostheses involving the variation of relative motion and contact pressure with location on the bearing surface*, Journal of Biomechanics, **36**, 2003
- [8] SAIKKO, V., CALONIUS, O. and KERANEN, J., *Effect of extent of motion and type of load on the wear of polyethylene in a biaxial hip simulator*, J. Biomed. Mater. Res. Part B; Appl. Biomater., **65B**, pp 185 - 192, 2003
- [9] WANG, A., SUN, D.C., YAU, S.-S., EDWARDS, B., SOKOL, M., ESSNER, A., POLINENI, V.K., STARK, C. and DUMBLETON, J.H., *Orientation softening in the deformation and wear of ultra-high molecular weight polyethylene*, Wear **234**, pp 230 – 241, 1997
- [10] WANG, A., POLINENI, V.K., ESSNER, A., SOKOL, M., SUN, D.C., STARK, C. and DUMBLETON, J.H., *The significance of non-linear motion in the wear screening of orthopaedic implant materials*, Journal of testing and evaluation, **25**, No 2, pp 239 - 245, 1997
- [11] WANG, A., *A unified theory of wear for ultra-high molecular weight polyethylene in multi-directional sliding*, Wear, **248**, pp 38 - 47, 2001
- [12] WANG, A., ESSNER, A., POLINENI, V.K., STARK, C. and DUMBLETON, J.H., *Lubrication and wear of ultra-high molecular weight polyethylene in total joint replacements*. Tribology International, **31**, Nos 1 – 3, pp 17-38, 1993
- [13] WANG, A., ESSNER, A. and COOPER, J., *The clinical relevance of hip simulator testing of high performance implants*, Seminars in Athroplasty, **17**, pp 49 - 55, 2006

---

---

**ICS 11.040.40**

Price based on 9 pages