



**INTERNATIONAL STANDARD ISO 13994:2005**  
**TECHNICAL CORRIGENDUM 1**

Published 2006-10-15

INTERNATIONAL ORGANIZATION FOR STANDARDIZATION • МЕЖДУНАРОДНАЯ ОРГАНИЗАЦИЯ ПО СТАНДАРТИЗАЦИИ • ORGANISATION INTERNATIONALE DE NORMALISATION

**Clothing for protection against liquid chemicals —  
Determination of the resistance of protective clothing materials  
to penetration by liquids under pressure**

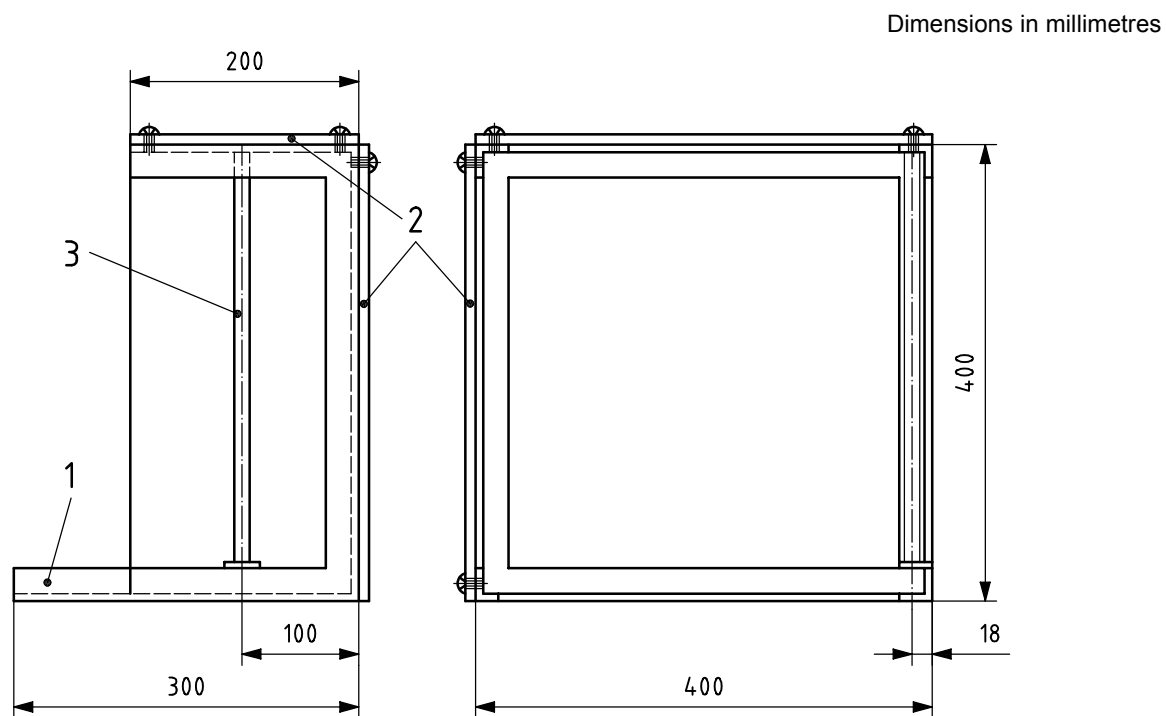
TECHNICAL CORRIGENDUM 1

*Vêtements de protection contre les produits chimiques liquides — Détermination de la résistance des matériaux des vêtements de protection à la pénétration des liquides sous pression*

*RECTIFICATIF TECHNIQUE 1*

Technical Corrigendum 1 to ISO 13994:2005 was prepared by Technical Committee ISO/TC 94, *Personal safety — Protective clothing and equipment*, Subcommittee SC 13, *Protective clothing*.

Replace the existing figure with the following figure:



**Key**

- 1 frame: angle steel, 25 mm × 25 mm × 3 mm, welded
- 2 protective cover: plexiglass 4 mm
- 3 post: steel rod, 13 mm, welded in place

**Figure 10 — Safety enclosure**