
**Corrugated fibreboard — Determination of
edgewise crush resistance — Waxed edge
method**

*Carton ondulé — Détermination de la résistance à la compression sur
chant — Méthode du bord paraffiné*

Reference number
ISO 13821:2002(E)

© ISO 2002

PDF disclaimer

This PDF file may contain embedded typefaces. In accordance with Adobe's licensing policy, this file may be printed or viewed but shall not be edited unless the typefaces which are embedded are licensed to and installed on the computer performing the editing. In downloading this file, parties accept therein the responsibility of not infringing Adobe's licensing policy. The ISO Central Secretariat accepts no liability in this area.

Adobe is a trademark of Adobe Systems Incorporated.

Details of the software products used to create this PDF file can be found in the General Info relative to the file; the PDF-creation parameters were optimized for printing. Every care has been taken to ensure that the file is suitable for use by ISO member bodies. In the unlikely event that a problem relating to it is found, please inform the Central Secretariat at the address given below.

© ISO 2002

All rights reserved. Unless otherwise specified, no part of this publication may be reproduced or utilized in any form or by any means, electronic or mechanical, including photocopying and microfilm, without permission in writing from either ISO at the address below or ISO's member body in the country of the requester.

ISO copyright office
Case postale 56 • CH-1211 Geneva 20
Tel. + 41 22 749 01 11
Fax + 41 22 749 09 47
E-mail copyright@iso.ch
Web www.iso.ch

Printed in Switzerland

Foreword

ISO (the International Organization for Standardization) is a worldwide federation of national standards bodies (ISO member bodies). The work of preparing International Standards is normally carried out through ISO technical committees. Each member body interested in a subject for which a technical committee has been established has the right to be represented on that committee. International organizations, governmental and non-governmental, in liaison with ISO, also take part in the work. ISO collaborates closely with the International Electrotechnical Commission (IEC) on all matters of electrotechnical standardization.

International Standards are drafted in accordance with the rules given in the ISO/IEC Directives, Part 3.

Draft International Standards adopted by the technical committees are circulated to the member bodies for voting. Publication as an International Standard requires approval by at least 75 % of the member bodies casting a vote.

Attention is drawn to the possibility that some of the elements of this International Standard may be the subject of patent rights. ISO shall not be held responsible for identifying any or all such patent rights.

International Standard ISO 13821 was prepared by Technical Committee ISO/TC 6, *Paper, board and pulps*, Subcommittee SC 2, *Test methods and quality specifications for paper and board*.

Introduction

A variety of methods for the determination of edgewise crush resistance are in use in different parts of the world. These can be classified into three groups as follows.

- a) Those in which a carefully cut rectangular test piece is tested without any special treatment or modification.
- b) Those in which the edges of the test piece to which the force is applied are waxed to prevent the test result from being influenced by "edge effects".
- c) Those in which the test piece edges are not waxed but the shape of the test piece is such that the length is substantially reduced at a point midway between the loading edges in order to induce the failure to occur away from those edges.

The dimensions of the test piece vary from one group to the other and, in group c), the methods vary according to the shape and method of reducing the length and to whether or not the test piece is held in a clamp during crushing.

The methods may not give the same numerical results, but it can be shown that most of them can be used to predict the top-to-bottom compression strength which will be achieved when the board is properly converted into a transport package.

This International Standard describes a method from group b) intended to be used for quality measurement and quality specification purposes. This particular method is selected because it correlates with the top-to-bottom compression strength of the final transport package and, of the methods giving the highest value, it is the simplest and most operationally convenient.

Corrugated fibreboard — Determination of edgewise crush resistance — Waxed edge method

1 Scope

This International Standard specifies a method for the determination of the edgewise crush resistance of corrugated fibreboard. The force is applied in the direction of the flute axis.

This method is applicable to single-wall (double-faced), double-wall, and triple-wall corrugated fibreboard. It may also be used to test samples taken from corrugated cases and other converted products.

While the method is applicable to waxed corrugated fibreboard, care must be taken that the heat used in the waxing step does not affect the corrugated structure. This is controlled by observing that failure during the test still occurs away from the loaded edges.

2 Normative references

The following normative documents contain provisions which, through reference in this text, constitute provisions of this International Standard. For dated references, subsequent amendments to, or revisions of, any of these publications do not apply. However, parties to agreements based on this International Standard are encouraged to investigate the possibility of applying the most recent editions of the normative documents indicated below. For undated references, the latest edition of the normative document referred to applies. Members of ISO and IEC maintain registers of currently valid International Standards.

ISO 186, *Paper and board — Sampling to determine average quality*

ISO 187, *Paper, board and pulps — Standard atmosphere for conditioning and testing and procedure for monitoring the atmosphere and conditioning of samples*

ISO 13820, *Paper, board and corrugated fibreboard — Description and calibration of compression-testing equipment*

3 Principle

Subjection of a rectangular test piece of the corrugated board placed between the platens of a crush tester, with the flutes perpendicular to the platens, to a compressive force until failure occurs. The loading edges of the test piece have been reinforced by paraffin to prevent premature failure at those edges when the load is applied.

Measurement of the maximum force sustained by the test piece.

4 Apparatus and test liquid

4.1 Motor-driven, platen-type compression testing machine. The apparatus described in ISO 13820 shall be used.

4.2 Cutting equipment, enabling the cutting of test pieces according to the requirements specified in 7.2.

4.2.1 Band-saw or knife and cutting jig to prepare the test pieces. The equipment shall produce cut edges that are unfrayed, straight and perpendicular to the facings of the board.

4.2.2 Circular saw, equipped with a sharp, no-set (hollow-ground or taper-ground is desirable) saw blade. Ensure that the saw blade is 90° to the table supporting the test piece.

4.2.3 Motorized dual-knife-type cutter with flat, straight, parallel and freshly sharpened blades which should be approximately 0,5 mm thick, sharpened on one side only to a bevel of about 3 mm and mounted so that the plane sides of the blades face each other (i.e. inwards) and are perpendicular to the faces of the board. The blades of such a cutter must be kept in good alignment.

It is recommended that the blades of this type of cutter be replaced after being used more than 100 times.

4.2.4 Other types of test-piece cutters, such as a manual knife used with a guide, can be employed provided it can be shown that they meet the requirements specified in 7.2.

4.3 Guide blocks, consisting of two rectangular, smooth-finished, metal (or wood) blocks of dimensions 40 mm \times 20 mm, and at least 40 mm in length, to support the test piece and keep it perpendicular to the platens. The blocks are cut back by 2 mm, as shown in Figure 1, to avoid contact with the waxed areas.

4.4 Molten paraffin, with a melting point of approximately 52°C .

Dimensions in millimetres

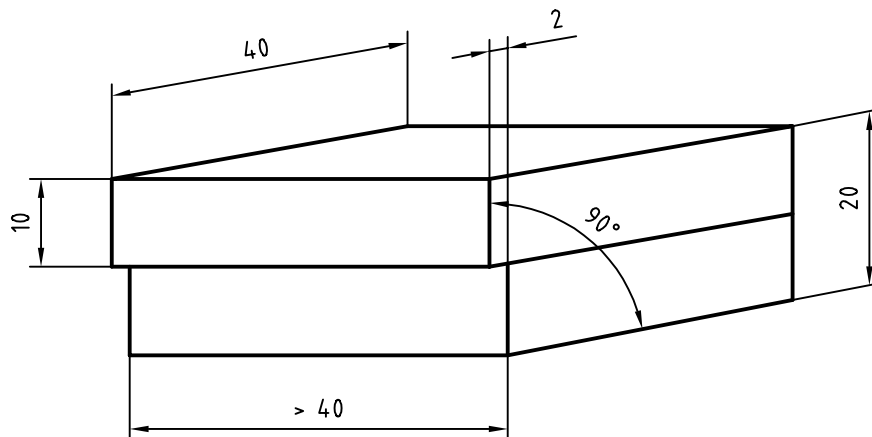


Figure 1 — Guide block

5 Sampling

The sample, taken in accordance with ISO 186, shall permit the preparation of test pieces free from converting machine marks.

6 Conditioning

Condition the sample in accordance with ISO 187.

7 Preparation of test pieces

7.1 General

Prepare test pieces in the standard atmosphere specified in ISO 187.

7.2 Cutting of the test pieces

Using the equipment described in 4.2 and 4.3 to ensure parallel cuts, cut from the sample at least 10 rectangular test pieces with the flutes perpendicular (to within 1°) to the width or loading edges, in one of the following sizes:

- for A-flute, X-flute and all doublewall and triplewall grades (50,8 ± 0,8) mm × (50,8 ± 0,8) mm;
- for C-flute (38,1 ± 0,8) mm high × (50,8 ± 0,8) mm wide;
- for B-flute (32,0 ± 0,8) mm high × (50,8 ± 0,8) mm wide.

The tolerances apply to the mean height and width.

The loading edges shall be cut cleanly and straight. The cleanliness of the cut is judged by inspection without magnification under normal laboratory lighting. Determine that the edges are not frayed and that no loose fibres are visible. The test piece shall be free from converting-machine marks, printing, and damage to edges, flutes and test area.

Opposite edges shall be parallel and adjacent edges shall be at right angles. Straightness, parallelism and perpendicularity may be judged by the following procedure:

Stand two test pieces on their cut edges on a plane surface with two of their faces almost touching. With perfectly flat board, the two adjacent faces should appear flat and parallel to each other over their whole surfaces. If the board is warped, this may not be so, but the test pieces are acceptable if they stand vertically on their bottom edges, if the top cut surfaces appear flat and parallel to each other and at right angles to the linear surfaces close to the cut, and if the cut ends of the test pieces appear to be in the same plane. It should not be possible to see light under the cut edge of either test piece when a load of about 1 N (equivalent to light finger pressure) is applied to the top edge.

End-for-end (rotate 180° on its vertical axis) one test piece, then invert the other test piece. In each configuration, the criteria of the preceding paragraph shall apply.

Test other pairs of test pieces in the same way.

7.3 Waxing

Dip each loading edge in molten paraffin (see 4.4) to a depth of 6 mm and hold there until the absorbed paraffin, as determined visually, begins to migrate above the 6 mm dipped zone. Normally, a 3 s dip in molten paraffin at a temperature of 69 °C to 75 °C is satisfactory. If excessively rapid migration is encountered, reduce the temperature of the molten paraffin.

Immediately after dipping, momentarily blot the loading edges of the test piece on paper towelling preheated on a hot plate maintained at 77 °C to 82 °C.

NOTE The following alternative procedure for impregnating the loading edges of test pieces with paraffin is permissible. Place the loading edge on a paraffin-saturated pad, such as paper towelling, heated on a hot plate maintained at 77 °C to 82 °C until the paraffin impregnates the test piece to the desired 6 mm depth. Generally, this method is slower than the dipping method and therefore permits better control of the depth of the paraffin penetration for test pieces in which paraffin migration is rapid.

Recondition the test pieces in the standard atmosphere specified in clause 6, for 2 h to reach equilibrium.

8 Procedure

Conduct the tests in the standard atmosphere specified in clause 6.

With the platens of the compression tester conveniently separated, place the test piece on one of its waxed loading edges centrally on the lower platen. Place the two guide blocks (4.3) on the lower platen, one on each side of the test piece, larger face up, so that the offset ends are in contact with the unwaxed portion of the surface of the test piece.

In so doing, the test piece is held perpendicular to the platen surface. Zero the measuring device with these guide blocks in position.

Apply a compression force to the test piece using the prescribed loading rate. When the load on the test piece has reached about 50 N, and without altering the platen movement rate, carefully move the guide blocks away from the test piece but do not remove them from the platen.

Continue to operate the tester until the test piece fails.

Alternatively, the zero may be set before the guide blocks are placed in position on the lower platen. In this case, the guide blocks should be removed from the platen as soon as the test piece becomes securely held.

NOTE In using load-measuring devices equipped with a force sensor on the upper plate, the complications associated with zero-setting are alleviated.

Record the maximum load, in newtons, to the nearest 1 N. If the force is calculated from a measured deflection, read the deflection to the nearest 0,01 mm.

If either liner does not fail in the unwaxed area of the test piece, the test is not considered valid.

Repeat the test on the remaining test pieces until 10 valid test results are obtained.

9 Calculation

The edgewise crush resistance R , expressed in kilonewtons per metre, is given by the formula:

$$R = \frac{F}{W}$$

where

F is the maximum load, in newtons;

W is the width of the test piece, in millimetres.

10 Precision

Based on an interlaboratory study, the repeatability of this testing procedure is $\pm 5\%$ and the reproducibility is $\pm 12\%$.

11 Test report

The test report shall include the following information:

- a) a reference to this International Standard;
- b) the date and place of testing;
- c) a description and identification of the product tested;
- d) the conditioning atmosphere used;
- e) the type of tester used;
- f) the size of test pieces used;
- g) the number of replicate tests;
- h) the arithmetic mean of all replicate test results, in kilonewtons per metre, to three significant figures;
- i) the standard deviation of all replicate test results, in kilonewtons per metre, to three significant figures.

Bibliography

- [1] ISO 3037, *Corrugated fibreboard — Determination of edgewise crush resistance (Unwaxed edge method)*

ICS 85.060

Price based on 5 pages

© ISO 2002 – All rights reserved