



INTERNATIONAL STANDARD ISO 13533:2001
TECHNICAL CORRIGENDUM 1

Published 2005-01-15

INTERNATIONAL ORGANIZATION FOR STANDARDIZATION • МЕЖДУНАРОДНАЯ ОРГАНИЗАЦИЯ ПО СТАНДАРТИЗАЦИИ • ORGANISATION INTERNATIONALE DE NORMALISATION

Petroleum and natural gas industries — Drilling and production equipment — Drill-through equipment

TECHNICAL CORRIGENDUM 1

Industries du pétrole et du gaz naturel — Équipements de forage et de production — Équipements à travers lesquels s'effectue le forage

RECTIFICATIF TECHNIQUE 1

Technical Corrigendum 1 to ISO 13533:2001 was prepared by Technical Committee ISO/TC 67, *Materials, equipment and offshore structures for petroleum, petrochemical and natural gas industries*, Subcommittee SC 4, *Drilling and production equipment*.

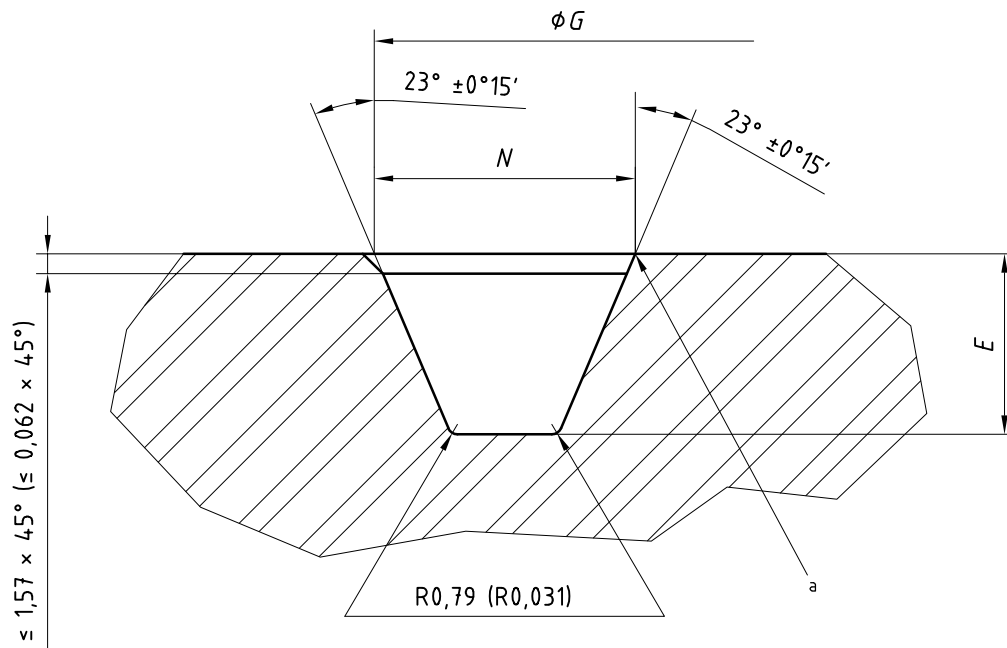
Page 19, Table 8, column 6, first line under the header:

Replace “84,0” with “79,5”.

Page 20:

Replace Figure 6 with the following figure. Note that the lower ends of the vertical lines defining the dimensions *G* and *N* have been modified.

Dimensions in millimetres



^a Break sharp corner.

Figure 6 — Finish machining of type SR ring grooves

Page 23, Table 12, first column, fourth under the header:

Replace "(3 1/8)" with "(3 1/16)".

Page 28, Table 16, fifth column, fourteenth line under the header:

Replace "RX 73" with "RX 65".

Page 36, Table 18, second column, first line under the header:

Replace "133" with "13,3".