



INTERNATIONAL STANDARD ISO 13347-3:2004
TECHNICAL CORRIGENDUM 1

Published 2006-11-15

INTERNATIONAL ORGANIZATION FOR STANDARDIZATION • МЕЖДУНАРОДНАЯ ОРГАНИЗАЦИЯ ПО СТАНДАРТИЗАЦИИ • ORGANISATION INTERNATIONALE DE NORMALISATION

**Industrial fans — Determination of fan sound power levels
under standardized laboratory conditions —**

**Part 3:
Enveloping surface methods**

TECHNICAL CORRIGENDUM 1

Ventilateurs industriels — Détermination des niveaux de puissance acoustique des ventilateurs dans des conditions de laboratoire normalisées —

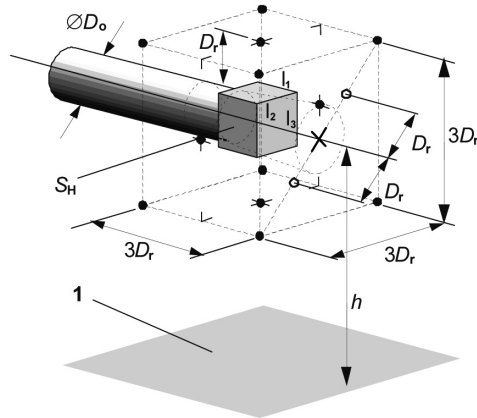
Partie 3: Méthodes de la surface enveloppante

RECTIFICATIF TECHNIQUE 1

Technical Corrigendum 1 to ISO 13347-3:2004 was prepared by Technical Committee ISO/TC 117, *Industrial fans*.

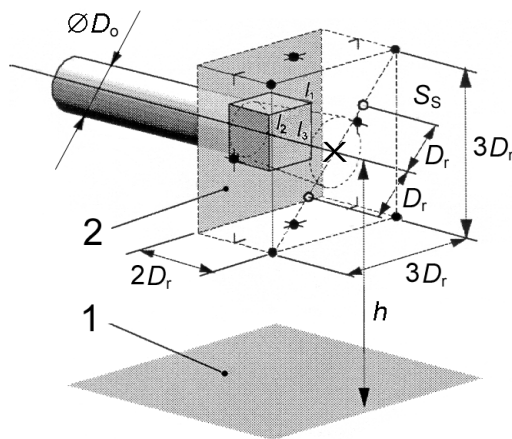
Page 6, Figure 1 a)

Replace the existing figure with the following figure:



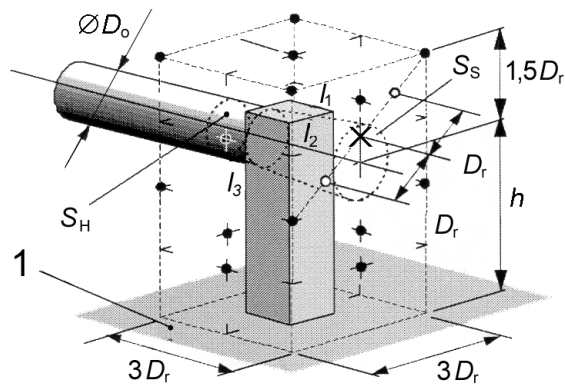
Page 6, Figure 1 b)

Replace the existing figure with the following figure:



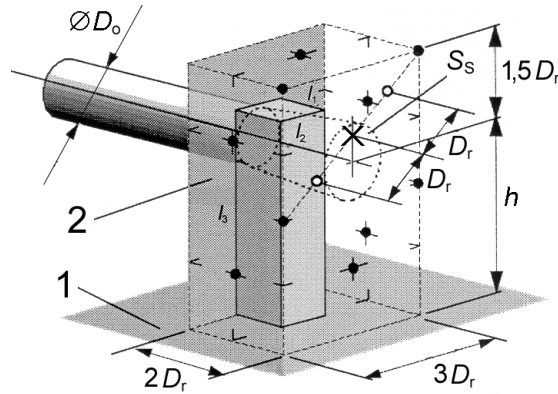
Page 6, Figure 1 c)

Replace the existing figure with the following figure:



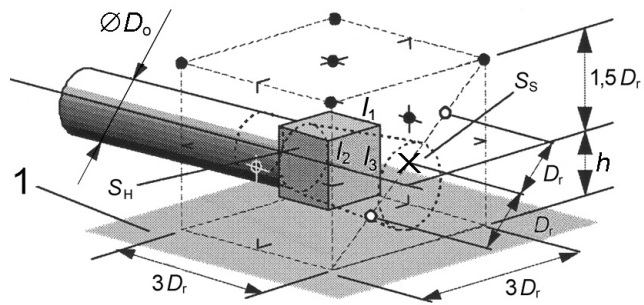
Page 6, Figure 1 d)

Replace the existing figure with the following figure:



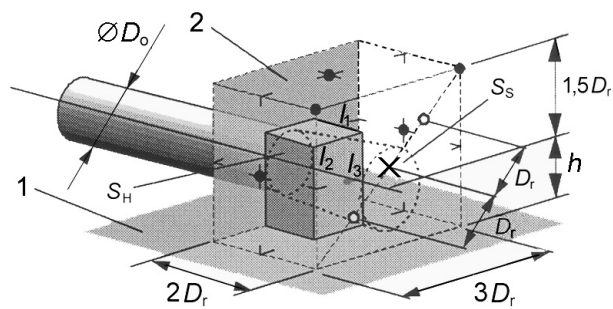
Page 7, Figure 1 e)

Replace the existing figure with the following figure:



Page 7, Figure 1 f)

Replace the existing figure with the following figure:



Page 6, Figures 1 a), 1 b), 1 c), and 1 d), titles

Replace “ $45D_r$ ” with “ $4,5D_r$ ”.

Pages 6 and 7, Figures 1 c) and 1 e), Key

Replace “Measurement surface area $S = 9D_r^2 + 12D_r(h + 15D_r) - S_H$ ” with

“Measurement surface area $S = 9D_r^2 + 12D_r(h + 1,5D_r) - S_H$ ”.

Pages 6 and 7, Figures 1 d) and 1 f), Key

Replace “Measurement surface area $S = 6D_r^2 + 7D_r(h + 15D_r)$ ” with

“Measurement surface area $S = 6D_r^2 + 7D_r(h + 1,5D_r)$ ”.

Page 7, Table 1, third row

Change the symbol from “ H ” to “ h ”.

In the description, replace “...above flow level...” with “...above floor level...”.