

First edition  
1999-12-15

**AMENDMENT 1**  
2006-02-15

---

---

**Road vehicles — Anchorages in vehicles  
and attachments to anchorages for child  
restraint systems —**

**Part 1:  
Seat bight anchorages and attachments**

**AMENDMENT 1: CRF reduced height  
specification**

*Véhicules routiers — Ancrages dans les véhicules et attaches aux  
ancrages pour systèmes de retenue pour enfants —*

*Partie 1: Ancrages près de la jonction dossier-coussin d'assise et  
attaches*

*AMENDEMENT 1: Spécification de hauteur réduite du SIRE*



Reference number  
ISO 13216-1:1999/Amd.1:2006(E)

© ISO 2006

**PDF disclaimer**

This PDF file may contain embedded typefaces. In accordance with Adobe's licensing policy, this file may be printed or viewed but shall not be edited unless the typefaces which are embedded are licensed to and installed on the computer performing the editing. In downloading this file, parties accept therein the responsibility of not infringing Adobe's licensing policy. The ISO Central Secretariat accepts no liability in this area.

Adobe is a trademark of Adobe Systems Incorporated.

Details of the software products used to create this PDF file can be found in the General Info relative to the file; the PDF-creation parameters were optimized for printing. Every care has been taken to ensure that the file is suitable for use by ISO member bodies. In the unlikely event that a problem relating to it is found, please inform the Central Secretariat at the address given below.

© ISO 2006

All rights reserved. Unless otherwise specified, no part of this publication may be reproduced or utilized in any form or by any means, electronic or mechanical, including photocopying and microfilm, without permission in writing from either ISO at the address below or ISO's member body in the country of the requester.

ISO copyright office  
Case postale 56 • CH-1211 Geneva 20  
Tel. + 41 22 749 01 11  
Fax + 41 22 749 09 47  
E-mail [copyright@iso.org](mailto:copyright@iso.org)  
Web [www.iso.org](http://www.iso.org)

Published in Switzerland

## Foreword

ISO (the International Organization for Standardization) is a worldwide federation of national standards bodies (ISO member bodies). The work of preparing International Standards is normally carried out through ISO technical committees. Each member body interested in a subject for which a technical committee has been established has the right to be represented on that committee. International organizations, governmental and non-governmental, in liaison with ISO, also take part in the work. ISO collaborates closely with the International Electrotechnical Commission (IEC) on all matters of electrotechnical standardization.

International Standards are drafted in accordance with the rules given in the ISO/IEC Directives, Part 2.

The main task of technical committees is to prepare International Standards. Draft International Standards adopted by the technical committees are circulated to the member bodies for voting. Publication as an International Standard requires approval by at least 75 % of the member bodies casting a vote.

Attention is drawn to the possibility that some of the elements of this document may be the subject of patent rights. ISO shall not be held responsible for identifying any or all such patent rights.

Amendment 1 to ISO 13216-1:1999 was prepared by Technical Committee ISO/TC 22, *Road vehicles*, Subcommittee SC 12, *Passive safety crash protection systems*. It allows vehicles with a low interior roof height to use a reduced height CRF for positioning of the ISOFIX anchorages in the vehicle.

© 2011 International Organization for Standardization

# Road vehicles — Anchorages in vehicles and attachments to anchorages for child restraint systems —

## Part 1: Seat bight anchorages and attachments

### AMENDMENT 1: CRF reduced height specification

*Page 4, subclause 4.1.3*

Renumber the current clause 4.1.3 to 4.1.4 and insert a new clause 4.1.3 as follows:

#### **4.1.3 Positioning of anchorages in vehicles with restricted roof interior height**

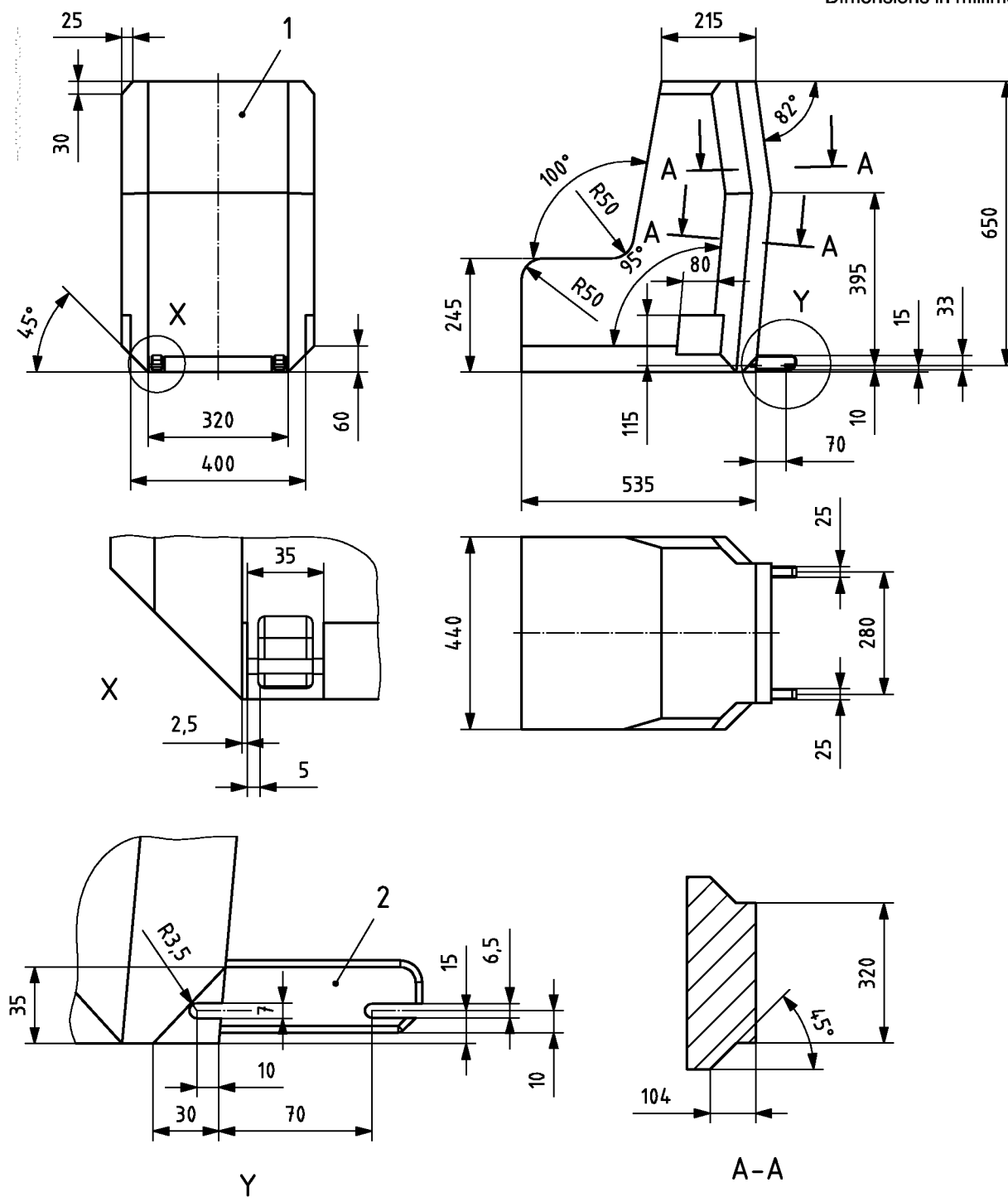
A vehicle seating position unable to accommodate the full height (720 mm) CRF, as specified in 4.1.2, may use a CRF according to the following specifications (see Figures 2b and 2c) for installation of the anchorages.

Such a vehicle seating position should be classified in accordance with the corresponding reduced height class designation given in ISO 13216-3.

*Page 6, subclause 4.1.3*

Insert the following figures after the current Figure 2, and renumber Figure 2 as Figure 2a).

Dimensions in millimetres



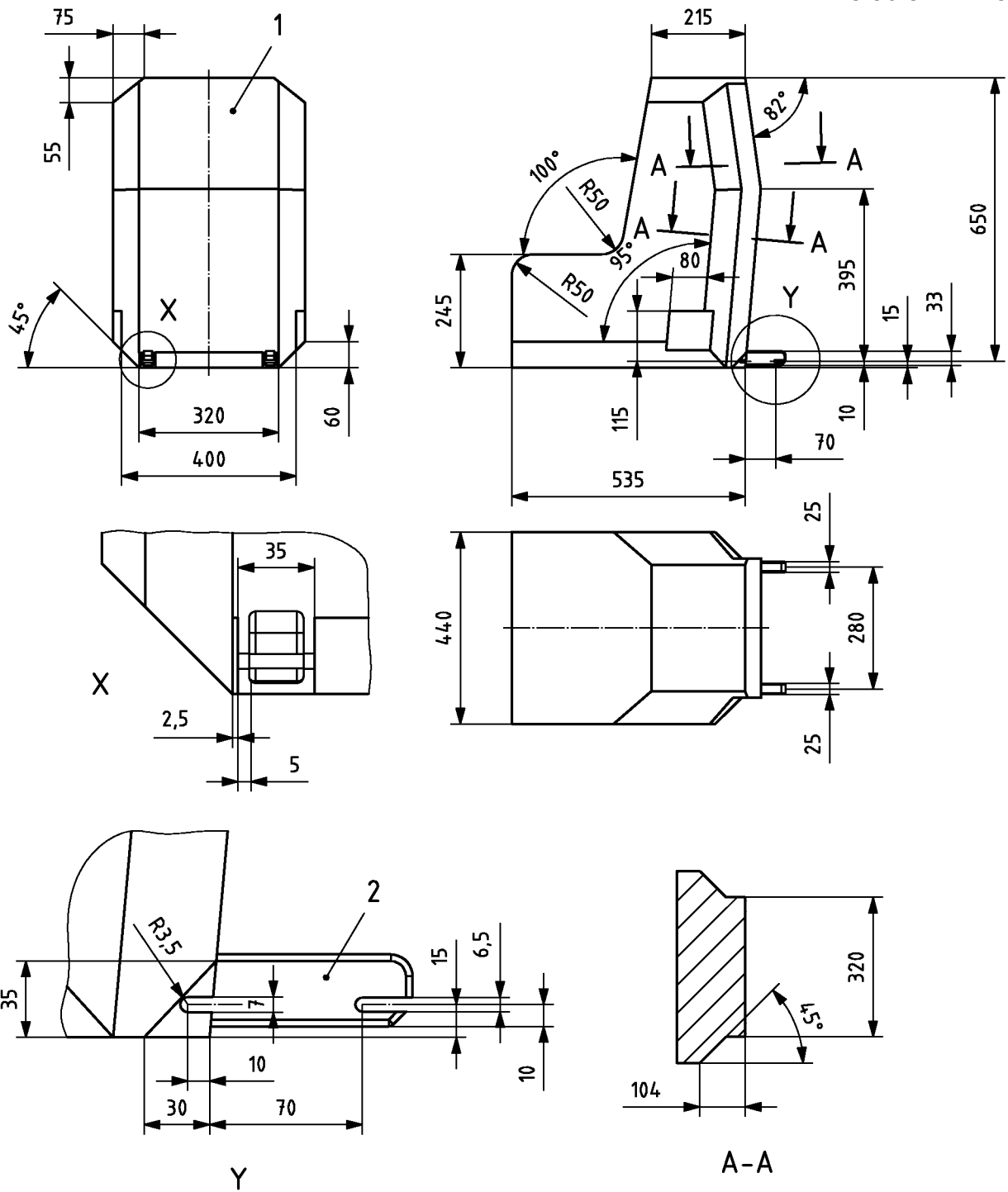
**Key**

- 1 Side, back, and top frames may be removable for installation in vehicle
- 2 See Figure 3

**Figure 2b) — Reduced-height (650 mm) child restraint fixture<sup>1)</sup>, to allow fitting in vehicle seating positions with less than 720 mm available interior roof height**

1) This version of the CRF is used by ECE (ECE R.14) for positioning of the anchorages.

Dimensions in millimetres



**Key**

- 1 Side, back, and top frames may be removable for installation in vehicle
- 2 See Figure 3

**Figure 2c) — Reduced-height (650 mm) child restraint fixture, having reduced contour in the upper part, to allow fitting in low-roof cars**

---

---

**ICS 43.040.80**

Price based on 3 pages