



**INTERNATIONAL STANDARD ISO 11839:2010**  
**TECHNICAL CORRIGENDUM 1**

Published 2012-03-15

INTERNATIONAL ORGANIZATION FOR STANDARDIZATION • МЕЖДУНАРОДНАЯ ОРГАНИЗАЦИЯ ПО СТАНДАРТИЗАЦИИ • ORGANISATION INTERNATIONALE DE NORMALISATION

**Machinery for forestry — Glazing and panel materials used in operator enclosures for protection against thrown sawteeth — Test method and performance criteria**

**TECHNICAL CORRIGENDUM 1**

*Matériel forestier — Matériaux pour vitrage et panneaux utilisés dans l'enceinte de l'opérateur contre la projection des dents de scie — Méthode d'essai et critères de performance*

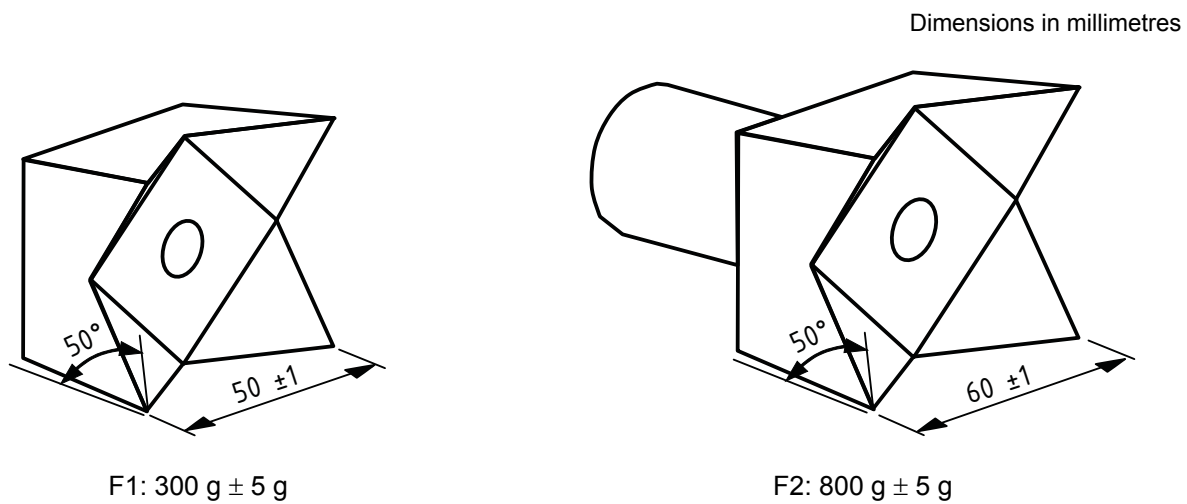
*RECTIFICATIF TECHNIQUE 1*

Technical Corrigendum 1 to ISO 11839:2010 was prepared by Technical Committee ISO/TC 23, *Tractors and machinery for agriculture and forestry*, Subcommittee SC 15, *Machinery for forestry*.

---

*Page 3, Figure 2*

Replace Figure 2 with the following. (The dimension of the cutting surface for F2 has been corrected to  $60 \pm 1$  mm.)



**Figure 2 — Illustrative test projectile specification**