

INTERNATIONAL
STANDARD

ISO
11677-3

First edition
1995-12-01

**Textile machinery and accessories —
Main dimensions of open end loop flat
steel healds and their corresponding
heald-carrying rods —**

Part 3:

Carrying rods for healds with C- and J-shaped
end loops

*Matériel pour l'industrie textile — Dimensions principales des lisses en
acier plat avec boucles d'extrémités ouvertes et des tringles porte-lisses
correspondantes —*

*Partie 3: Tringles porte-lisses pour lisses avec boucles d'extrémités en
forme de «C» et «J»*



Reference number
ISO 11677-3:1995(E)

Foreword

ISO (the International Organization for Standardization) is a worldwide federation of national standards bodies (ISO member bodies). The work of preparing International Standards is normally carried out through ISO technical committees. Each member body interested in a subject for which a technical committee has been established has the right to be represented on that committee. International organizations, governmental and non-governmental, in liaison with ISO, also take part in the work. ISO collaborates closely with the International Electrotechnical Commission (IEC) on all matters of electrotechnical standardization.

Draft International Standards adopted by the technical committees are circulated to the member bodies for voting. Publication as an International Standard requires approval by at least 75 % of the member bodies casting a vote.

International Standard ISO 11677-3 was prepared by Technical Committee ISO/TC 72, *and accessories Textile machinery and allied machinery*, Subcommittee SC 3, *Machinery for fabric manufacture*.

This first edition of ISO 11677-3 cancels and replaces the first edition of ISO 6457:1982, which has been technically revised.

ISO 11677 consists of the following parts, under the general title *Textile machinery and accessories — Main dimensions of open end loop flat steel healds and their corresponding heald-carrying rods*:

- *Part 1: C-shaped end loops*
- *Part 2: J-shaped end loops*
- *Part 3: Carrying rods for healds with C- and J-shaped end loops*

The general titles of Parts 1 and 2 will be aligned with the general title of Part 3 at their next revision.

© ISO 1995

All rights reserved. Unless otherwise specified, no part of this publication may be reproduced or utilized in any form or by any means, electronic or mechanical, including photocopying and microfilm, without permission in writing from the publisher.

International Organization for Standardization

Case Postale 56 • CH-1211 Genève 20 • Switzerland

Printed in Switzerland

Textile machinery and accessories — Main dimensions of open end loop flat steel healds and their corresponding heald-carrying rods —

Part 3:

Carrying rods for healds with C- and J-shaped end loops

1 Scope

This part of ISO 11677 specifies the main dimensions and designation of heald-carrying rods for C- and J-shaped end loops of flat steel healds which are in accordance with ISO 11677-1 and ISO 11677-2 respectively.

2 Normative references

The following standards contain provisions which, through reference in this text, constitute provisions of this part of ISO 11677. At the time of publication, the editions indicated were valid. All standards are subject to revision, and parties to agreements based on this part of ISO 11677 are encouraged to investigate the possibility of applying the most recent editions of the standards indicated below. Members of IEC and ISO maintain registers of currently valid International Standards.

ISO 11677-1:1994, *Textile machinery and accessories — Main dimensions of flat steel healds with open end loops — Part 1: C-shaped end loops*.

ISO 11677-2:1994, *Textile machinery and accessories — Main dimensions of flat steel healds with open end loops — Part 2: J-shaped end loops*.

3 Dimensions

The main dimensions of heald-carrying rods for flat steel healds with C- and J-shaped end loops shall be as shown in figures 1 and 2 respectively.

4 Designation

Example of designation for a heald-carrying rod for flat steel healds with C-shaped end loops:

Heald-carrying rod ISO 11677-3 - C

Example of designation for a heald-carrying rod for flat steel healds with J-shaped end loops:

Heald-carrying rod ISO 11677-3 - J

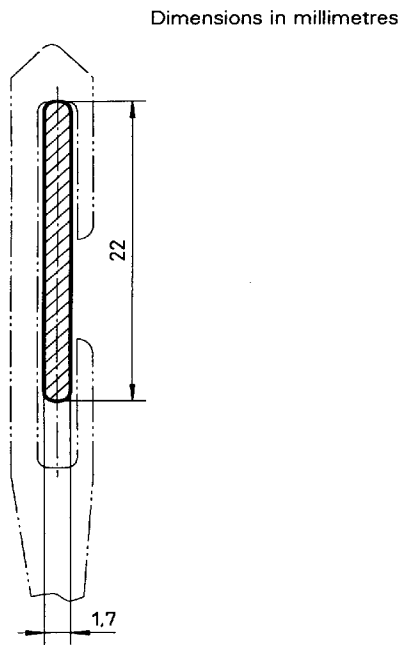


Figure 1 — Cross-section of heald-carrying rod for flat steel healds with C-shaped end loops

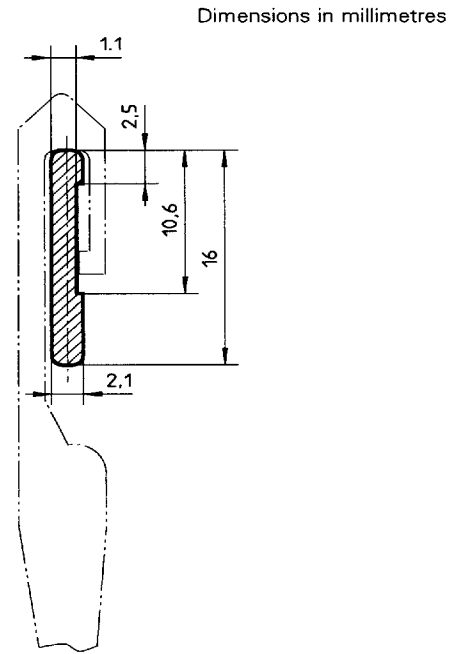


Figure 2 — Cross-section of heald-carrying rod for flat steel healds with J-shaped end loops

ICS 59.120.30

Descriptors: textile machinery, weaving machinery, accessories, steel products, healds, bars (textile), dimensions, designation.

Price based on 2 pages
