

---

---

**Buildings and civil engineering  
works — Sealants — Determination of  
changes in cohesion and appearance  
of elastic weatherproofing sealants  
after exposure of statically cured  
specimens to artificial weathering and  
mechanical cycling**

*Bâtiments et ouvrages de génie civil — Mastics — Détermination des  
variations de cohésion et apparence des mastics élastiques résistants  
aux intempéries après exposition d'éprouvettes statiquement  
polymérisées à un cycle mécanique et de vieillissement artificiel*





**COPYRIGHT PROTECTED DOCUMENT**

© ISO 2014

All rights reserved. Unless otherwise specified, no part of this publication may be reproduced or utilized otherwise in any form or by any means, electronic or mechanical, including photocopying, or posting on the internet or an intranet, without prior written permission. Permission can be requested from either ISO at the address below or ISO's member body in the country of the requester.

ISO copyright office  
Case postale 56 • CH-1211 Geneva 20  
Tel. + 41 22 749 01 11  
Fax + 41 22 749 09 47  
E-mail [copyright@iso.org](mailto:copyright@iso.org)  
Web [www.iso.org](http://www.iso.org)

Published in Switzerland

# Contents

	Page
<b>Foreword</b> .....	<b>iv</b>
<b>1 Scope</b> .....	<b>1</b>
<b>2 Normative reference</b> .....	<b>1</b>
<b>3 Definitions</b> .....	<b>1</b>
<b>4 Principle</b> .....	<b>2</b>
<b>5 Apparatus</b> .....	<b>2</b>
5.1 Support.....	2
5.2 Spacers.....	3
5.3 Backing material (bond breaker).....	3
5.4 Separators.....	3
5.5 Container.....	4
5.6 Ventilated convection-type oven.....	4
5.7 Fully automated test chamber with an artificial light source.....	4
5.8 Artificial light source.....	5
5.9 Black standard (insulated) and black panel (uninsulated) temperature sensors.....	5
<b>6 Preparation of test specimens</b> .....	<b>6</b>
<b>7 Conditioning</b> .....	<b>6</b>
7.1 General.....	6
7.2 Method A (default).....	6
7.3 Method B (option).....	6
<b>8 Test procedure</b> .....	<b>7</b>
8.1 General.....	7
8.2 Accelerated weathering exposure conditions (default period: six weeks).....	7
8.3 Mechanical cycling.....	8
<b>9 Examination for defects</b> .....	<b>9</b>
<b>10 Photo documentation of test specimens</b> .....	<b>13</b>
<b>11 Continuation of degradation cycles</b> .....	<b>13</b>
<b>12 Test report</b> .....	<b>14</b>
<b>Annex A (informative)</b> .....	<b>15</b>
<b>Bibliography</b> .....	<b>16</b>

## Foreword

ISO (the International Organization for Standardization) is a worldwide federation of national standards bodies (ISO member bodies). The work of preparing International Standards is normally carried out through ISO technical committees. Each member body interested in a subject for which a technical committee has been established has the right to be represented on that committee. International organizations, governmental and non-governmental, in liaison with ISO, also take part in the work. ISO collaborates closely with the International Electrotechnical Commission (IEC) on all matters of electrotechnical standardization.

The procedures used to develop this document and those intended for its further maintenance are described in the ISO/IEC Directives, Part 1. In particular the different approval criteria needed for the different types of ISO documents should be noted. This document was drafted in accordance with the editorial rules of the ISO/IEC Directives, Part 2 (see [www.iso.org/directives](http://www.iso.org/directives)).

Attention is drawn to the possibility that some of the elements of this document may be the subject of patent rights. ISO shall not be held responsible for identifying any or all such patent rights. Details of any patent rights identified during the development of the document will be in the Introduction and/or on the ISO list of patent declarations received (see [www.iso.org/patents](http://www.iso.org/patents)).

Any trade name used in this document is information given for the convenience of users and does not constitute an endorsement.

For an explanation on the meaning of ISO specific terms and expressions related to conformity assessment, as well as information about ISO's adherence to the WTO principles in the Technical Barriers to Trade (TBT) see the following URL: Foreword - Supplementary information

The committee responsible for this document is ISO/TC 59, *Buildings and civil engineering works*, Subcommittee SC 8, *Sealants*.

# Buildings and civil engineering works — Sealants — Determination of changes in cohesion and appearance of elastic weatherproofing sealants after exposure of statically cured specimens to artificial weathering and mechanical cycling

## 1 Scope

This International Standard specifies laboratory exposure procedures for determining the effects of cyclic movement and artificial weathering on cured, elastic weatherproofing joint sealants (one- or multi-component).

## 2 Normative reference

The following documents, in whole or in part, are normatively referenced in this document and are indispensable for its application. For dated references, only the edition cited applies. For undated references, the latest edition of the referenced document (including any amendments) applies.

ISO 4628-4:2003, *Paints and varnishes — Evaluation of degradation of coatings — Designation of quantity and size of defects, and of intensity of uniform changes in appearance — Part 4: Assessment of degree of cracking*

ISO 4892-1:1999, *Plastics — Methods of exposure to laboratory light sources — Part 1: General guidance*

ISO 4892-2:2013, *Plastics — Methods of exposure to laboratory light sources — Part 2: Xenon-arc lamps*

ISO 4892-3:2013, *Plastics — Methods of exposure to laboratory light sources — Part 3: Fluorescent UV lamps*

ISO 4892-4:2013, *Plastics — Methods of exposure to laboratory light sources — Part 4: Open-flame carbon-arc lamps*

ISO 6927:2012, *Buildings and civil engineering works — Sealants — Vocabulary*

ISO 8339:2005, *Building construction — Sealants — Determination of tensile properties (Extension to break)*

ISO 11431:2002, *Building construction — Jointing products — Determination of adhesion/cohesion properties of sealants after exposure to heat, water and artificial light through glass*

ISO 11600:2002, *Building construction — Jointing products — Classification and requirements for sealants*

ISO 13640:1999, *Building construction — Jointing products — Specifications for test substrates*

CIE Publication No. 20-1972, *Recommendations for the integrated spectral irradiance and the spectral distribution of simulated solar radiation for testing purposes*

CIE Publication No. 85-1989, *Technical report — Solar spectral irradiance*, ISBN 3 900 734 22 4

## 3 Definitions

For the purposes of this document, the definitions given in ISO 6927 apply.

Any notation in this standard shown as 'target set value  $x \pm$  operational fluctuation  $y$ ' shall be interpreted as follows: set the experimental parameter at the target value  $x$  and maintain the experimental parameter during the test procedure at  $\pm y$  from the specified setting  $x$ . If the operational fluctuations exceed the maximum allowable value after the equipment has stabilized, discontinue the test and correct the cause of the problem before continuing.

## 4 Principle

Test specimens are prepared in which the sealant to be tested adheres to two parallel support surfaces (substrates). The specimens are conditioned statically (no movement) in a controlled climate. The conditioned specimens are then exposed to repetitive degradation cycles of artificial weathering (light, heat, and moisture) and cyclic movement under controlled environmental conditions. Within each cycle, weathering is carried out for six weeks in an artificial weathering machine. Simultaneously, with the weathering, mechanical cycling is carried out by changing the position of the extension/compression once a week. After completion of each degradation cycle (each lasting six weeks), the specimens (in their extended/compressed state) are visually examined for changes in appearance, cohesion, and adhesion of the sealant beads. The rating for quantity, width, and depth of cohesive cracks for a specific extension/compression value achieved along the length of the specimen as well as the depth, length, and range of any very significant loss of cohesion or adhesion (defined as  $>3$  mm crack depth) is determined and the general condition of the sealant is reported. The weathering and mechanical cycling exposure and the examination for failures constitute a degradation cycle and the degradation cycle is repeated as often as desired to achieve a certain exposure.

## 5 Apparatus

### 5.1 Support

Anodized aluminium support (as shown in [Figure 1](#)) for the preparation of test specimens, consisting of two pivoting, L-shaped anodized aluminium support elements of dimensions 120 mm  $\times$  18 mm  $\times$  18 mm (length  $\times$  width  $\times$  height) and 2 mm thickness riveted onto an anodized aluminium base-plate of 2 mm thickness such that a cavity of dimensions 120 mm  $\times$  20 mm  $\times$  18 mm (length  $\times$  width  $\times$  height) is formed. Riveting of the support elements on the base-plate shall be such that they can be turned freely with minimal friction on the pivot (fulcrum). The base plate holds five equally spaced holes of 5 mm diameter (for improved ventilation of the back face of the sealant such as to ensure better cure or drying of the sealant) and two 3 mm holes for fixation of the specimen (see [Figure 1](#) and [Annex A](#)). For the specification of the anodized aluminium, refer to ISO 13640. All surfaces of the anodized aluminium support to be later in contact with the sealant shall be cleaned according to the sealant manufacturer's recommendation.

**NOTE** Achieving optimum adhesion on the support substrate is important in order to obtain reproducible ratings for surface and bulk degradation (cracking, crazing, cohesive failure, etc.) that is induced or influenced by mechanical cycling. Even a partial loss of adhesion will cause a section of the test specimen to be exposed to no or a lower degree of mechanical cycling than intended for a given movement amplitude of the sealant and invalidate the results obtained for this movement exposure (as assessed along the extended leg of the test specimen). Currently, no cleaning procedure and cleaning agent(s) have been identified that provide optimum adhesion on the support substrate for all sealant products. Therefore, no cleaning procedure is specified in this International Standard. If the manufacturer does not provide a recommendation for the cleaning procedure, the following method is suggested for consideration by the experimenter: Clean all surfaces of the anodized aluminium support to be later in contact with the sealant with high purity acetone (purity, by gas chromatography: 99,8 %) as follows: a) saturate a clean, lint-free paper tissue or cloth with the solvent; b) clean the substrate with the solvent-saturated cloth or tissue by wiping a minimum of three times so that visible contamination cannot be observed; c) wipe the substrate with solvent-saturated cloth or tissue and immediately afterwards dry wipe the substrate surface thoroughly using a dry, clean, lint-free paper tissue or cloth before the solvent completely evaporates. Repeat step c) at least once. In each wipe of the substrate surface during step c), a new, uncontaminated cloth or tissue should be used. For severely contaminated substrates, additional pre-cleaning steps can be required.

If other support materials are to be used, they shall be characterized and shall be described in the test report. If other support dimensions are used, they shall be described in the test report.



## 5.5 Container

Container filled with demineralised or distilled water shall be used for conditioning according to method B.

## 5.6 Ventilated convection-type oven

Ventilated convection-type oven, capable of being maintained at  $(70 \pm 2)$  °C, shall be used for conditioning according to method B.

## 5.7 Fully automated test chamber with an artificial light source

Fully automated test chamber with an artificial light source (5.8), shall be used, capable of exposing the test specimens to radiation under controlled conditions of temperature, relative humidity, and water, complying with the requirements of ISO 4892, Parts 1, 2, 3, and 4. The radiation is always directed towards the same surface of the sealant specimen. Standard practices for operating such accelerated weathering chambers are described in ISO 4892-1.

The level of irradiance and water exposure at the specimen surface as described in 5.8 and 8.2 cannot be altered.

In fully automated test equipment, exposure to water for this test method is accomplished by water spraying the specimen surface or immersing the test specimens in water.<sup>1),2)</sup> Contamination of the water is to be avoided. The purity of the water to be used is described in ISO 4892-1. The water temperatures are typically  $(21 \pm 5)$  °C for the spray water and typically  $(40 \pm 5)$  °C for the re-circulated immersion water.<sup>3)</sup>

Suitable equipment and test procedures for cyclic exposures to water are described in ISO 4892, Parts 1, 2, 3, and 4. Water is a key factor contributing to the ageing of sealants, especially in combination with exposure to light. In xenon arc devices that use water spray for wetting, relative humidity during the light period shall be maintained at  $(50 \pm 10)\%$  r.h. (see ISO 4892-2, Table 3, Method A, Cycle Number 1).<sup>4)</sup>

---

1) Adequate heat transfer between the test specimen and the environment is essential during the lower temperature period in the fluorescent UV/condensation device in order for condensation on the sealant to occur. This places restrictions on the thermal mass and, consequently, on the dimensions of a specimen. No experimental data have been generated on the time-of-wetness of sealant test specimens of the kind specified in this International Standard when placed in fluorescent UV/condensation device operating at conditions specified in this International Standard. However, testing conducted by ASTM C24 on ISO 8339 specimens appears to suggest that the condensation process provided in the fluorescent UV/condensation apparatus is generally not applicable to the type of sealant specimens tested. Therefore, wetting in this International Standard is carried out by water spray on the exposed specimen surface (default method). However, the front surface water spray accessory was not designed for this purpose and requires an unreasonable amount of pure water for the wet period specified. Therefore, often the equipment is modified to allow re-circulation of the water during the exposure period. Some fluorescent UV equipment has adaptable spray manifolds, which allow installation of lower flow type nozzles, thus reducing the amount of pure water used.

2) Data generated with these two methods of water exposure (spray or immersion) in a round robin test on a set of sealants for revision of ISO 11431 showed acceptable correlation, although contributions to the various degradation mechanisms acting in the specimens (e.g. hydrolysis, thermal shock, leaching of formulation components, etc.) can differ between these exposures. The degree of correlation between these two methods thus can vary depending on the specific sealant tested.

3) Spray water can be fresh or re-circulated from a holding tank. Immersion water is generally in a holding tank for re-circulation. The temperature of the spray water is uncontrolled and for fresh water is typically  $(21 \pm 5)$  °C. Re-circulated spray water can be at a higher temperature. The uncontrolled temperature of the re-circulated immersion water during operation of the weathering device is typically  $(40 \pm 5)$  °C. It can be controlled by heating the water to a higher temperature. However, heating is not desirable because the water immersion temperature would then differ to a larger extent from the spray water temperature.

4) Generally, automated-weathering equipment based on xenon-arc light with water immersion exposure and fluorescent UV lamp type equipment do not allow control of humidity during the light period.



In the immersion technique, the test specimens are placed in a chamber that is periodically flooded with re-circulated water. During immersion, the specimens are completely covered by water. The water temperature is measured below the water surface with the black standard thermometer. The immersion system shall be made from corrosion resistant materials that do not contaminate the water employed.

## 5.8 Artificial light source

Light sources for the simulation of the global radiation at the surface of the earth are subject to development. The degree of approximation to the spectral power distribution according to CIE publication No. 85 (Table 4) depends on the type of lamp. Xenon-arc lamps with suitable filters are preferred and are considered the default for the purpose of this International Standard.

Several factors can change the intensity and the spectral power distribution of the artificial light source during service. Comply with the manufacturer's recommendations and the requirements of ISO 4892 to maintain constant irradiation conditions.

### 5.8.1 Xenon-arc light source (default)

Xenon-arc light source with daylight filters shall be used for the simulation of terrestrial daylight as defined in the CIE publication No. 85. The spectral power distribution of the radiation shall comply with the requirements outlined in ISO 4892-2, method A. Irradiance at the surface of the test specimens between the wavelengths of 300 nm and 800 nm shall be set at  $550 \text{ W/m}^2$  and maintained at  $\pm 75 \text{ W/m}^2$ . The equivalent irradiance setting for 300 nm to 400 nm shall be  $60 \text{ W/m}^2$  maintained at  $\pm 2 \text{ W/m}^2$  and the setting for 340 nm shall be  $0,51 \text{ W}/(\text{m}^2 \text{ nm})$  maintained at  $\pm 0,02 \text{ W}/(\text{m}^2 \text{ nm})$ . If, exceptionally, other intensities will be used, these shall be stated in the test report. Irradiance below 300 nm shall not exceed  $1 \text{ W/m}^2$ . The irradiance shall not vary by more than  $\pm 10 \%$  over the whole specimen exposure area.

### 5.8.2 Fluorescent ultraviolet source (option)

Fluorescent UVA-340 lamp(s) shall be used. The radiation of UVA-340 lamp(s) is mainly in the ultraviolet region between 300 nm and 360 nm with negligible visible and infrared radiation. The spectral power distribution of the radiation shall comply with the requirements outlined in ISO 4892-3 for a lamp with 343 nm peak emission. Irradiance below 300 nm shall not exceed  $1 \text{ W/m}^2$ . The irradiance shall not vary by more than  $\pm 10 \%$  over the whole specimen exposure area.

### 5.8.3 Open-flame carbon arc source (option)

Open-flame carbon arc light sources typically use carbon rods, which contain a mixture of metal salts. An electric current is passed between the carbon rods, which burn and give off ultraviolet, visible, and infrared radiation. Use carbon rods recommended by the device manufacturer. The spectral power distribution of the radiation shall comply with the requirements outlined in ISO 4892-4, open-flame carbon arc light source with daylight type filter (type 1 filter).<sup>5)</sup>

## 5.9 Black standard (insulated) and black panel (uninsulated) temperature sensors

Black standard (default) and black panel thermometer (option) temperature sensors shall comply with the requirements outlined in ISO 4892-1, 5.2. The default thermometer is the black standard thermometer.

**NOTE** Under given operation conditions, black panel (uninsulated) thermometers tend to indicate lower temperatures than the black standard (insulated) thermometers. The temperature difference between the two types ranges between  $3 \text{ }^\circ\text{C}$  and  $12 \text{ }^\circ\text{C}$ , being smaller at lower irradiance levels.

The thermometer shall be mounted on the specimen rack so that its surface is in the same relative position and subjected to the same influences as the test specimens. Readings shall only be taken after sufficient time has elapsed for the temperature to become constant.

5) The chemical composition of the carbon rods can affect the spectral power distribution of open flame carbon arc light sources.

## 6 Preparation of test specimens

Three test specimens for each sealant and each aging method shall be prepared.

Bring the sealant to  $(23 \pm 2)$  °C before preparation of the specimens (this is generally achieved by conditioning the packaged sealant for 24 h at this temperature). Prepare three specimens. For each specimen, assemble one support (5.1), see Figure 1, by inserting two spacers (5.2) at the ends of the joint. Apply the open-cell backing foam (5.3) to the bottom of the joint.

Follow the instructions of the sealant manufacturer concerning the sealant application, for instance, whether a primer is to be used on the contact surface of the L-shaped support elements.

Fill the hollow volume (dimensions: width × depth × length = 20 mm × 15 mm × 100 mm) formed by the support, the backing foam and spacers with the sealant, while taking the following precautions:

- a) Avoid the formation of air bubbles.
- b) Press the sealant to the inner surfaces of the pivoted support elements.
- c) Trim the sealant surface so that it is flushed with the faces of the support elements and spacers.

After preparation, the sealant test specimens shall be examined for defects. Any test specimens deemed unsuitable for testing shall be rejected.

## 7 Conditioning

### 7.1 General

Condition the specimens at rest (static conditioning) in accordance with method A (default) or method B (option), as agreed between the parties concerned.

### 7.2 Method A (default)

Place the specimens, such that air can freely circulate to the back-face of the base-plate. Condition the specimens, with the spacers in place, for 28 d at  $(23 \pm 2)$  °C and  $(50 \pm 5)$  % relative humidity. After the conditioning, remove the spacers at both sides of the sealant joint.

### 7.3 Method B (option)

Condition the specimens first according to method A. Then subject them three times to the following conditioning cycle:

- a) 3 d in the oven (5.6) at  $(70 \pm 2)$  °C;
- b) 1 d in distilled water at  $(23 \pm 2)$  °C;
- c) 2 d in the oven (5.6) at  $(70 \pm 2)$  °C;
- d) 1 d in distilled water at  $(23 \pm 2)$  °C.

This cycle can be carried out alternatively in the sequence c), d), a), and b). After the conditioning, remove the spacers at both sides of the sealant joint.

NOTE Conditioning B is a normal conditioning method using the influence of water and heat to accelerate the cure of the sealant. It is not intended to give information on the durability of the sealant.

## 8 Test procedure

### 8.1 General

After conditioning and removal of the spacers, expose the specimens to the artificial weathering cycles and mechanical movement (fatigue) cycles, as agreed by the parties concerned. The choice of the type of accelerated weathering exposure shall be by mutual agreement among the interested parties. The default degradation cycle is six weeks of exposure in Xenon-arc type automatic weathering equipment (8.2.1) with the test specimen simultaneously being exposed to mechanical cycling (8.3). The default value for the total number of degradation cycles is three.

**NOTE** Because the different types of exposures can produce different test results, they cannot be used interchangeably without supporting data that demonstrates equivalency of the procedures for the materials tested.

### 8.2 Accelerated weathering exposure conditions (default period: six weeks)

During the artificial weathering cycle, expose the test specimens to radiation by the artificial light source such that the specimen test surface faces the lamp. During repeated exposure periods, i.e. when the specimens are exposed to several degradation cycles, direct the radiation towards the exposed surface of the sealant. Mount the test specimens so that the plane of the test surface is at a distance from the lamp(s) consistent with the method for operating the apparatus (ISO 4892-2 or ISO 4892-3 or ISO 4892-4). Control the test temperatures with a black standard thermometer (default) or black panel thermometer (option), as specified in 5.9, mounted on the specimen rack so that the face of the temperature sensor is in the same relative position and is subjected to the same influences as the test specimens.

#### 8.2.1 Exposure in automatic weathering equipment — Xenon-arc type (default)

The light source shall be one or more xenon-arc lamps with daylight filters installed to simulate terrestrial daylight. The spectral power distribution, operating practices, and irradiance-uniformity and short wavelength limit shall be as defined in 5.8.1.

The standard conditions of test (default) are repeated cycles of exposure that consist of six weeks of exposure in the xenon-arc machine, the irradiance level being set as specified in 5.8.1, with alternating periods of dry and wet:

- a) A dry period of 102 min, in which the specimens are exposed to radiation and heat. From the start of the dry period the temperature is allowed to rise, until it reaches a steady temperature of  $(65 \pm 3)$  °C, as measured on the black standard thermometer (5.9). Relative humidity during the dry period is  $(50 \pm 10)$  % using the xenon-arc device with water spray. The chamber air temperature in machines that allow for its control shall be  $(38 \pm 3)$  °C.
- b) A wet period of 18 min, in which the specimens are exposed to radiation and wetting either by water spray on the exposed surface or immersion in water. The water temperatures are typically  $(21 \pm 5)$  °C for the spray water and typically  $(40 \pm 5)$  °C for the re-circulated immersion water.

The cycles of dry and wet exposures are repeated 504 times (default) (six weeks total duration in the weathering machine).

**NOTE** Alternative exposure cycles as appropriate and agreed amongst the parties concerned can be used. However, if the experimenter deviates from the default values specified, both the default values as well as the actual conditions used shall be reported.

Filtered xenon arcs provide a good representation of the spectral power distribution as defined in the CIE publication No. 85 and therefore, are considered as the reference for the purpose of this International Standard.

### 8.2.2 Exposure in automatic weathering equipment — Fluorescent UVA-340/water spray type (option)

The apparatus employed shall conform to the requirements of ISO 4892-3, for a fluorescent UV device with fluorescent UVA-340 lamps having peak emission at 343 nm (5.8.2). The equipment shall be fitted with a suitable spraying unit.

It should be noted that for sealants sensitive to long wavelength UV and visible radiation, the absence of this radiation in these lamps can distort stability ranking when compared to exterior environment exposure.

In non-irradiance controlled devices, the achievable target value of irradiance depends on the operating temperature. Therefore, use of irradiance-controlled devices is recommended. For the device with UVA-340 lamps operating at  $(65 \pm 3)$  °C black standard thermometer temperature, the target value for irradiance at 340 nm is 0,89 W/(m<sup>2</sup>·nm) maintained at  $\pm 0,02$  W/(m<sup>2</sup>·nm).

The standard conditions of test (default) are repeated cycles of exposure that consist of six weeks of exposure in the fluorescent UV/water spray device with alternating periods of dry and wet (temperature and cycle duration specified are defaults; temperatures specified are measured on the black standard thermometer):

- a) Dry period of light: 8 h of UV radiation at  $(65 \pm 3)$  °C, followed by
- b) Water spray period: 4 h of UV radiation and water spray on the front surface. The temperature of the spray water is typically  $(21 \pm 5)$  °C.

The cycles of dry light and light/water spray periods are repeated 84 times (default) (six weeks total duration in the weathering machine).

NOTE Alternative exposure cycles as appropriate and agreed amongst the parties concerned can be used. However, if the experimenter deviates from the default values specified, both the default values as well as the actual conditions used shall be reported.

### 8.2.3 Exposure in automatic weathering equipment — Open-flame carbon arc (option)

The apparatus employed shall conform to the requirements of ISO 4892-4, for an open-flame carbon-arc light device fitted with a daylight-type (type 1) filter (see Table 1 in ISO 4892-4) (5.8.3). The equipment shall be fitted with a suitable spraying unit. The black standard temperature shall be  $(65 \pm 3)$  °C.

The standard conditions of test (default) are repeated cycles of exposure that consist of six weeks of exposure in the open-flame carbon-arc light/water spray device with alternating periods of dry and wet (temperature and cycle duration specified are defaults; temperatures specified are measured on the black standard thermometer, air temperature not controlled).

- a) Dry period of light: 102 min of light radiation at  $(65 \pm 3)$  °C, followed by
- b) Water spray period: 18 min of light radiation and water spray on the front surface. The temperature of the spray water is typically  $(21 \pm 5)$  °C.

The cycles of dry light and light/water spray periods are repeated 504 times (default) (six weeks total duration in the weathering machine).

NOTE Alternative exposure cycles as appropriate and agreed amongst the parties concerned can be used. However, if the experimenter deviates from the default values specified, both the default values as well as the actual conditions used shall be reported.

## 8.3 Mechanical cycling

Simultaneous to accelerated weathering, expose the specimens to mechanical cycling up to the maximum specified movement amplitude (e.g.  $\pm 25$  %,  $\pm 50$  %) by changing the position of the separator (5.4) manually once per week, resulting in an exposure interval of 7-day duration. To ensure both ends

of the specimen are exposed to the same duration of compression and extension, the position of the separator shall be changed always at the same time ( $\pm 1$  h) on the same weekday.

## 9 Examination for defects

The specimens are examined upon completion of each degradation cycle consisting of simultaneous weathering and cyclic movement lasting six weeks. The specimens shall be examined in their fully extended state [with the separators (5.4) inserted at one end of the specimens as shown in Figure 2]. Both ends (legs) of the specimens shall be examined by first inserting the separators at one end, followed by the examination and documentation of the results, then inserting the separators at the other end, again followed by examination and documentation of the results. The specimens shall be examined for evidence of loss of adhesion and cohesion or any surface changes (cracking, crazing, chalking, etc.) of the sealant beads.

Determine the rating for quantity, width, and depth of cohesive cracks for a specific extension/compression value (see Figure 2) achieved along the length of the specimen according to Tables 1, 2, and 3 respectively. Assess the quantity of cohesive cracks by reference to Table 1 and by using, as an example, Figures 3 a) and b), depending on the type of cracking.

NOTE 1 Figure 3 a) shows cracking without preferential direction and Figure 3 b) shows cracking in one preferential direction. Other forms of cracking occur, but the principles of assessing the quantity remain the same.

Whenever a very significant loss of cohesion or adhesion (defined as  $>3$  mm depth of defect) is observed, measure the depth, length, and range of these cracks or adhesion defects. The range of a crack or adhesion defect is determined by parallel projection of the length of the very significant crack onto the L-shaped support elements and reported as the range of affected movement exposure values.

NOTE 2 For example, a very significant loss of adhesion can be determined to have a length of 15 mm and affect movement exposure values of  $\pm 20$  % to  $\pm 25$  %.

Use measuring devices capable of reading to 0,1 mm for crack depth and width and a measuring device capable of reading to 0,5 mm for crack length and range (if applicable).

NOTE 3 Various tools for the determination of crack depth and width are commercially available, which are often used in the study of corrosion-induced pitting and cracking, for example, measuring microscope, digital optical micrometer, and digital pit and crack depth gauges.

**Table 1 — Rating for quantity of cohesive cracks**

Rating	Quantity of cracks (Q)
0	None, i.e. no detected cracks
1	Very few, i.e. some just detectable cracks
2	Few, i.e. small number of cracks
3	Moderate, i.e. medium number of cracks
4	Considerable, i.e. significant number of cracks
5	Dense, i.e. dense pattern of cracking

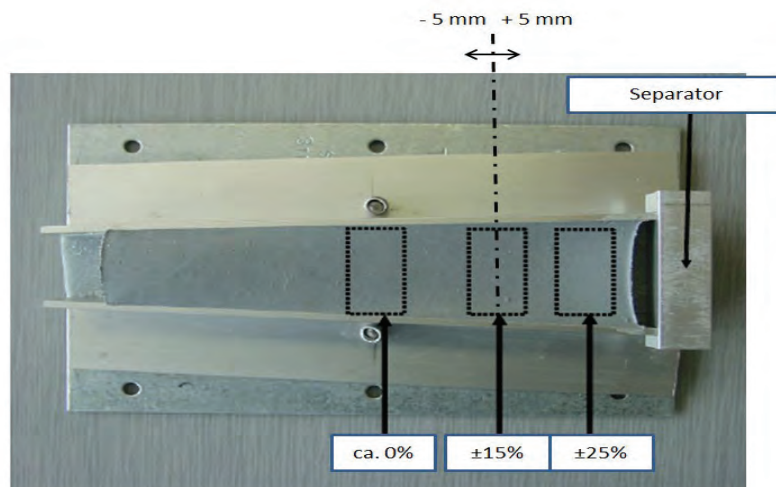


**Table 2 — Rating for width of cohesive cracks**

Rating	Width of cracks
0	Not visible at 10x magnification
1	Only visible under magnification up to 10x
2	Just visible with normal (or corrected) vision (<0,1 mm wide)
3	Clearly visible with normal (or corrected) vision (0,1 mm to <0,5 mm wide)
4	Large cracks, generally 0,5 mm to 1 mm wide
5	Very large cracks, generally more than 1 mm wide

**Table 3 — Rating for cohesive crack depth**

Rating	Depth of cracks
0	No cracks detectable at 10x magnification
1	Shallow surface crack depth (<0,1 mm depth)
2	Medium surface crack depth (0,1 to 1 mm depth)
3	Significant surface crack depth (>1 mm to 3 mm depth)
4	Very significant surface crack depth (>3 mm to 10 mm depth)
5	Cohesive failure (>10 mm depth)



**Figure 2 — Test specimen with indication of areas for evaluation of defects (the movement exposure amplitudes (shown as a percentage of joint width) are examples used for illustration purpose only)**

Determine the largest observed value for crack density, crack width, and crack depth as well as the nature of the failure (adhesive or cohesive) for a specific extension value achieved along the length of the specimen within an area of  $\pm 5$  mm adjacent to this movement exposure.

**NOTE** For example, for sealants with specified maximum movement amplitude of  $\pm 25$  %, make the readings of crack density, crack width, and crack depth along the extended leg of the specimen at  $\pm 0$  %,  $\pm 10$  %, and  $\pm 20$  % movement exposures. Sealants that are exposed to higher movement amplitudes can be assessed along the extended leg of the specimen at  $\pm 0$  %,  $\pm 15$  %,  $\pm 25$  %,  $\pm 35$  %, or at higher movement exposures (see [Figure 2](#)).

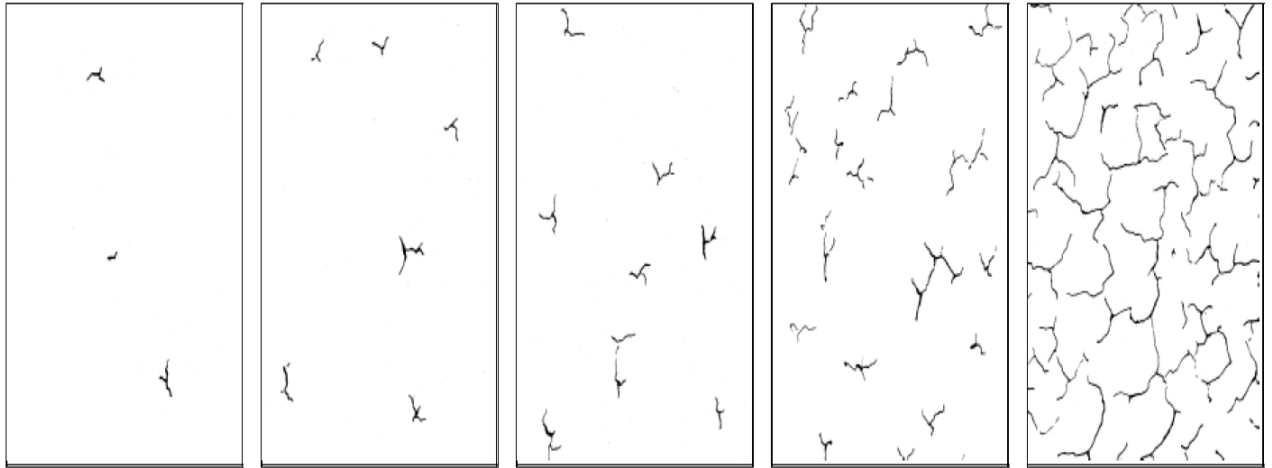
**Q = 1**

**Q = 2**

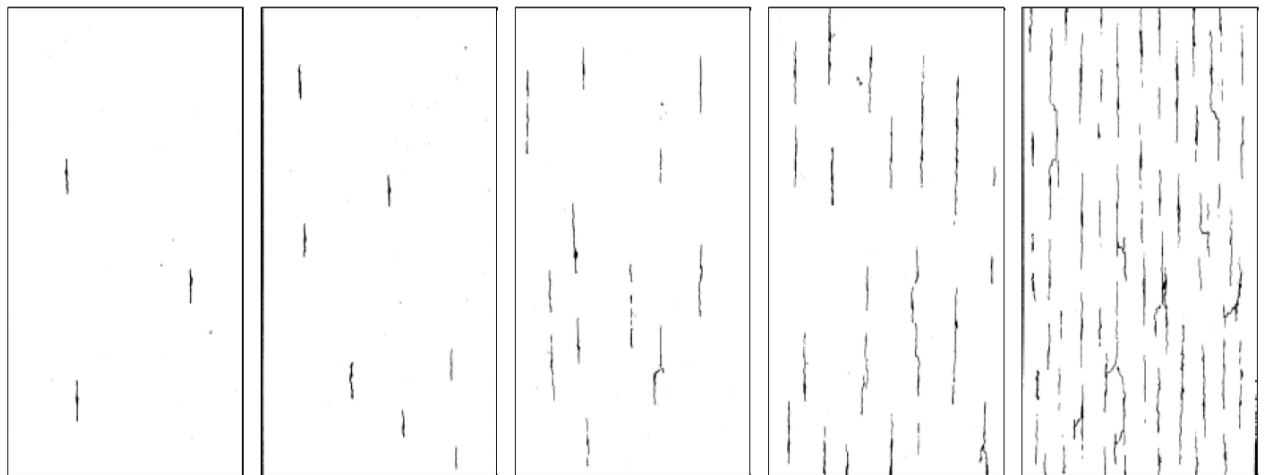
**Q = 3**

**Q = 4**

**Q = 5**



**Figure 3a — Cracking without preferential direction based on observation area of 10 mm × 20 mm (pictorial standards adapted from ISO 4628-4)**



**Figure 3b — Cracking in one preferential direction based on observation area of 10 mm × 20 mm (pictorial standards adapted from ISO 4628-4)**

Because of the excessive stress experienced by the sealant near the corners of the specimen, during both preparation and testing, loss of adhesion and cohesion is more likely to occur within a peripheral region of 2 mm × 15 mm × 20 mm at either or both ends of the sealant bead (see [Figure 4](#)). Determine and report whether any adhesion defects or cohesive cracks fall in their entirety within this peripheral region or whether they have propagated further into the bulk of the sealant.

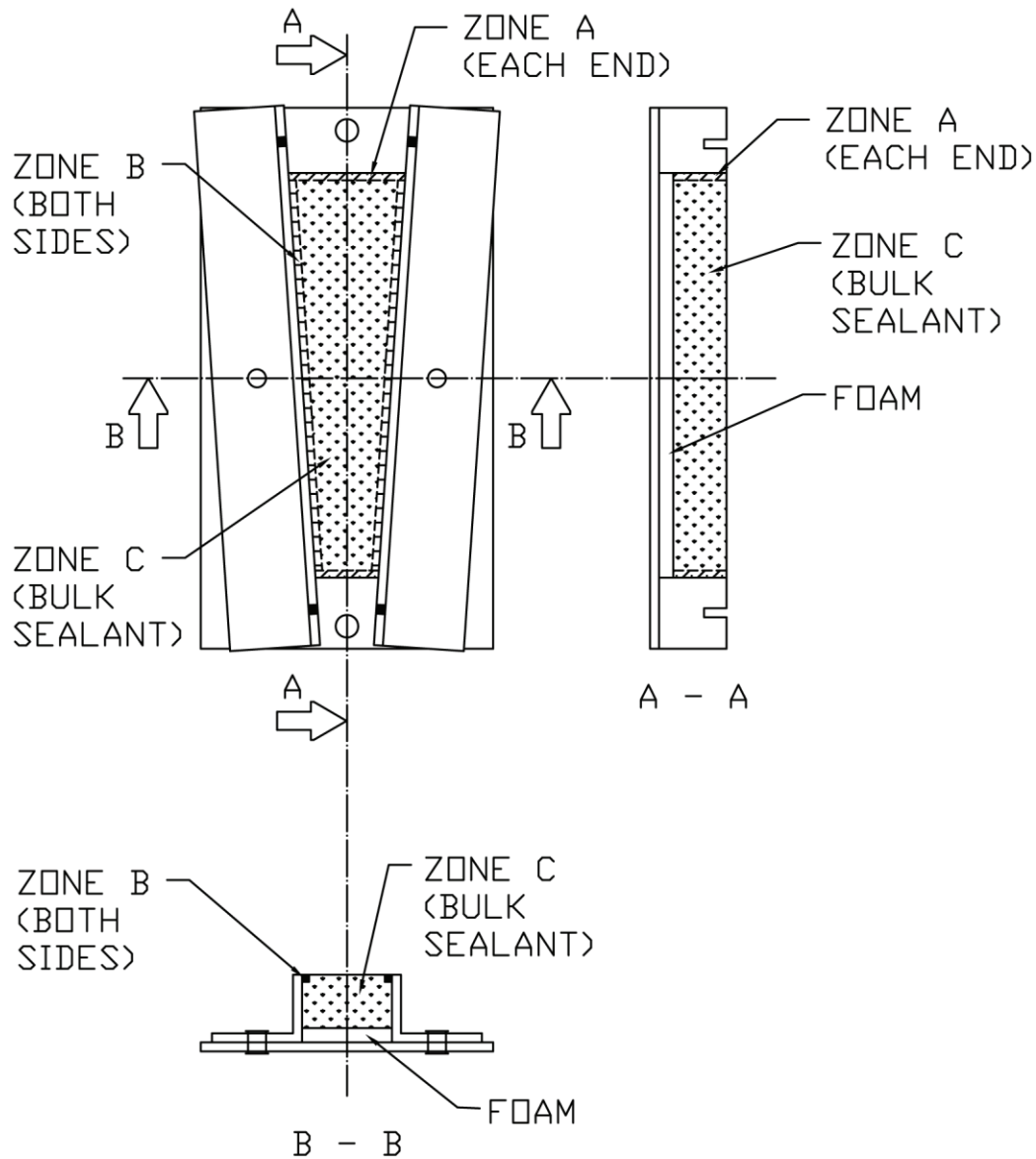


Figure 4 — Sections through sealant test specimen

**Key**

- Zone A Cohesive cracks and adhesion defects in the excluded volume, 2 mm × 15 mm × 20 mm, are NOT REPORTED
- Zone B Adhesion defects in Zone B are NOT REPORTED
- Zone C Adhesion defects extending from Zone B into this region (i.e. >2 mm depth) are REPORTED. Loss of adhesion or internal voids observed solely in Zone C are REPORTED as general observations (detection of defects in Zone C requires cutting the sealant bead of the supports, see below).



Upon completion of the final durability cycle, examine first the front surface of the specimen. Then cut the sealant material out of the supports and examine the back surface, the sealant/substrate interfaces, and the bulk of the sealant. Certain types of degradation can occur that are only visible at the back surface. Report any relevant observation, such as splitting of the sealant surface, depolymerisation (reversion) of the bulk sealant, etc.

## 10 Photo documentation of test specimens

Visual inspection and documentation of visual aspect are supplemented by photographic documentation to aid in the communication of the findings. Preferably, photographic documentation is done after completion of each durability cycle. The surface condition of the specimen observed after each exposure interval shall be documented photographically (minimum 75 mm × 100 mm print size) with a minimum resolution of 800 dpi (31,5 dots per mm). The digital photo shall be furnished with a minimum 9 Megapixel camera (colour photo in “true colour” setting) to document the findings. The camera shall be positioned on a fixed mounting in such a manner that the photo is taken at an angle of 0° to 10° (nearly vertically). The long side of the specimen shall be aligned with the horizontal axis of the photo. The photo shall be furnished at a distance of 30 cm to 50 cm from the evaluation specimen with a lens that results in the long-edge of the specimen representing a minimum of 80 % of the photo’s horizontal axis. All digital photos shall be made in uncompressed format (RAW, TIF, or similar) or, at a minimum, in high quality, low compression JPEG format. Compression in JPEG format shall not affect reproduction of the smallest resolvable feature in each of the two horizontal dimensions. All photographs shall have an indication of scale in both directions within the picture plane (XY). The surface condition of the specimens shall be documented in their fully extended state (with the separators (5.4) inserted at one end of the specimens as shown in Figure 2). Both ends (legs) of the specimen shall be documented.

NOTE 1 Scale bars of known size (shown in both X and Y direction) or scaled rulers are the most suitable option to express the magnification of the photo. Crack gauges placed in X and Y directions can also serve as an indication of scale.

Image files shall not be manipulated or adjusted in any way that could lead to misinterpretation of the information present in the original image.

NOTE 2 Inappropriate manipulation includes, but is not limited to: a) the introduction, enhancement, movement, or removal of specific feature(s) within an image; b) adjustments of brightness, contrast, or colour balance that obscure, eliminate, or misrepresent any information. Sharpening of photos can also lead to loss of information present in the original image.

The resolution of the camera’s sensor shall be chosen such that a minimum of 3 pixels are used to capture the smallest resolvable feature in each of the two horizontal dimensions (XY).

NOTE 3 The Nyquist–Shannon sampling theorem suggests that a point object should be oversampled at least two times in X and Y directions. Because adequate contrast is essential to correctly resolve structures, 2,5 to 3 times oversampling is more appropriate. Undersampling of an image, i.e. using too few pixels to accurately describe a small feature, can yield artefacts, which masquerade as real structures, leading to misinterpretation of the image data.

The lighting of the sealant specimen shall ensure good contrast and accurate colour representation in the photo image.

## 11 Continuation of degradation cycles

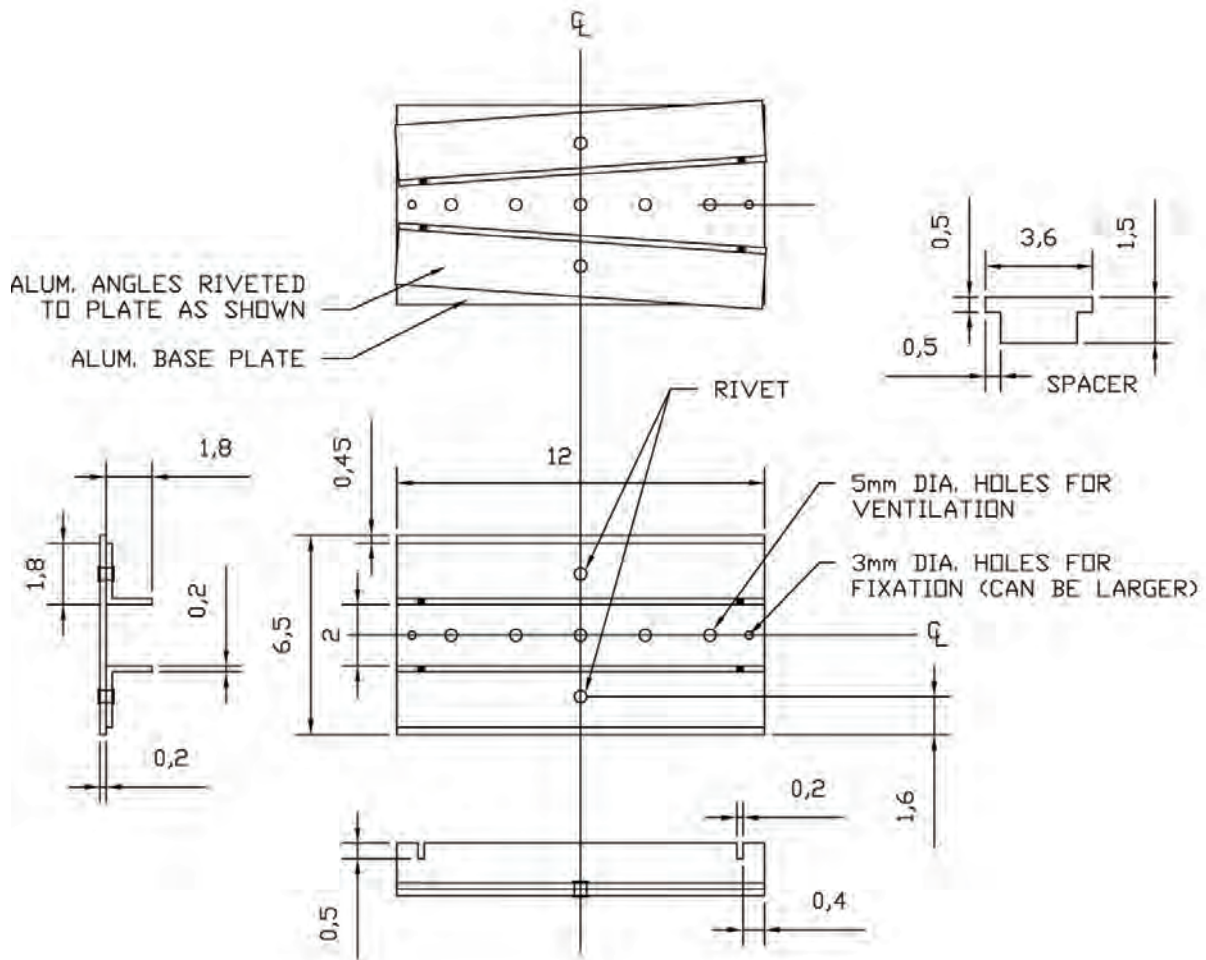
After examination of the specimens, remove the separators and allow the specimen to relax for 1 h. After the relaxation period, re-insert the separators (reversing position from prior cycle), place the specimens in the weathering devices and repeat the procedure described in Clauses 8 and 9. The default value for the total number of degradation cycles is three. However, choose the minimum number of degradation cycles such as to induce a substantial (visible) degradation for the least stable material being evaluated.

## 12 Test report

The test report shall include the following information:

- a) name and address of the test laboratory and date of the test;
- b) name, colour, and type of sealant;
- c) batch of sealant from which the specimens were produced;
- d) test substrate;
- e) method and chemicals used for cleaning the support substrate (see [5.1](#));
- f) primer used, if applicable;
- g) method of conditioning used (see [Clause 7](#));
- h) experimental weathering parameters used; i.e.
  - type of artificial weathering procedure used (xenon arc/spray, xenon arc/immersion, fluorescent UV/spray, open-flame carbon arc/water spray);
  - temperature and relative humidity (if relative humidity is controlled) of light exposure;
  - whether humidity has been controlled during the light exposure period;
  - whether chamber air temperature has been controlled during the light exposure period and temperature setting, if controlled;
  - type of moisture exposure (spray or immersion) and typical temperature of water during spray or immersion (based on two measurements);
- i) maximum amplitude of the mechanical cycling (affected by the dimension of the separator used and determined at the end of the sealant beads);
- j) any deviation from the default values specified in this method, e.g. the type of the thermometer used (if other than black standard thermometer has been used); if the experimenter deviates from the default values specified, both the default values as well as the actual conditions used shall be reported;
- k) type of damage (adhesive or cohesive defects as well as changes in surface appearance, such as chalking or discoloration), the quantity, width, and the maximum depth of cracks (in mm), as well as the location of the cracks or adhesion defects (bulk or peripheral region, zones A to C), and the range movement exposure values affected by significant loss of adhesion or cohesion (crack depth of >3 mm) observed after each exposure interval for a specific extension/compression value along the length of the specimen; photographic documentation (minimum 75 mm × 100 mm print size) of the surface condition of the specimen with a minimum resolution of 800 dpi (31,5 dots per mm);
- l) number of degradation cycles;
- m) any other observations the tester considers important in describing the condition of the specimen.

## Annex A (informative)



**Figure 5 — Engineering drawing of anodized aluminium support assembly used for cyclic mechanical movement of sealant (all units in cm)**

## Bibliography

- [1] ASTM C1519 (2010) *Standard Test Method for Evaluating Durability of Building Construction Sealants by Laboratory Accelerated Weathering Procedures*
- [2] ASTM G151 (2010) *Standard Practice for Exposing Non-metallic Materials in Accelerated Test Devices that Use Laboratory Light Sources*
- [3] ASTM G152 (2013) *Standard Practice for Operating Open Flame Carbon Arc Light Apparatus for Exposure of Non-Metallic Materials*
- [4] ASTM G154 (2012) *Standard Practice for Operating Fluorescent Light Apparatus for UV Exposure of Non-Metallic Materials*
- [5] ASTM G155 (2013) *Standard Practice for Operating Xenon Arc Light Apparatus for Exposure of Non-Metallic Materials*
- [6] NYQUIST H. "Certain topics in telegraph transmission theory", *Trans. AIEE*, vol. 47, pp. 617–644, Apr. 1928; Reprint as classic paper in. *Proc. IEEE*. 2002 Feb, **90** (2)
- [7] JIS A 5758 (2010) *Sealants for Sealing and Glazing in Buildings*
- [8] JIS A 1439 (2010) *Test Methods of Sealants for Sealing and Glazing in Buildings*
- [9] RILEM Technical Recommendation TC 139-DBS: Durability of Building Sealants, "Durability test method — Determination of changes in adhesion, cohesion and appearance of elastic weatherproofing sealants for high movement façade joints after exposure to artificial weathering". *Mater. Struct.* 2001, **34** (December) pp. 579–588
- [10] RILEM Technical Recommendation TC 190-SBJ: Service-life prediction of sealed building and construction joints, "Durability test method — Determination of change in adhesion, cohesion and appearance of elastic weatherproofing sealants after exposure of statically cured specimens to artificial weathering and mechanical cycling". *Mater. Struct.* 2008 November, **41** (9) pp. 1497–1508
- [11] SHANNON C.E. "Communication in the presence of noise", *Proc. Institute of Radio Engineers*, vol. 37, no.1, pp. 10–21, Jan. 1949; Reprint as classic paper in. *Proc. IEEE*. 1998 Feb, **86** (2)

.....

