
**Acoustics — Noise emitted by machinery
and equipment — Engineering method
for the determination of emission sound
pressure levels *in situ* at the work station
and at other specified positions using
sound intensity**

*Acoustique — Bruits émis par les machines et les équipements —
Méthode d'expertise pour la détermination par intensimétrie des
niveaux de pression acoustique d'émission *in situ* au poste de travail et
en d'autres positions spécifiées*



PDF disclaimer

This PDF file may contain embedded typefaces. In accordance with Adobe's licensing policy, this file may be printed or viewed but shall not be edited unless the typefaces which are embedded are licensed to and installed on the computer performing the editing. In downloading this file, parties accept therein the responsibility of not infringing Adobe's licensing policy. The ISO Central Secretariat accepts no liability in this area.

Adobe is a trademark of Adobe Systems Incorporated.

Details of the software products used to create this PDF file can be found in the General Info relative to the file; the PDF-creation parameters were optimized for printing. Every care has been taken to ensure that the file is suitable for use by ISO member bodies. In the unlikely event that a problem relating to it is found, please inform the Central Secretariat at the address given below.

© ISO 2003

All rights reserved. Unless otherwise specified, no part of this publication may be reproduced or utilized in any form or by any means, electronic or mechanical, including photocopying and microfilm, without permission in writing from either ISO at the address below or ISO's member body in the country of the requester.

ISO copyright office
Case postale 56 • CH-1211 Geneva 20
Tel. + 41 22 749 01 11
Fax + 41 22 749 09 47
E-mail copyright@iso.org
Web www.iso.org

Published in Switzerland

Contents

Page

Foreword.....	iv
1 Scope.....	1
2 Normative references	1
3 Terms and definitions.....	1
4 Measurement uncertainty.....	3
5 Principle	4
6 Instrumentation	4
6.1 General	4
6.2 Calibration.....	4
7 Installation and operation of the source.....	5
7.1 General	5
7.2 Location of the machine.....	5
7.3 Mounting of the machine.....	5
7.4 Auxiliary equipment.....	6
7.5 Operation of the machine under test	6
8 Test procedure	7
8.1 Applicability.....	7
8.2 Measurement time interval.....	7
8.3 Measurements	8
8.4 Wind and gas flows.....	9
8.5 Criteria for qualification of the measurement	9
8.6 Criterion for background noise	9
8.7 Frequency range of measurements	9
8.8 Evaluation of the measurement result.....	9
9 Information to be recorded	10
9.1 General	10
9.2 Machine under test	10
9.3 Test conditions.....	10
9.4 Acoustic environment	10
9.5 Instrumentation	10
9.6 Location of specified positions	11
9.7 Noise data	11
10 Information to be reported	11
Annex A (normative) Criterion for the adequacy of the direction of the sound intensity vector.....	12
Annex B (normative) Procedure for frequencies higher than 5 000 Hz	14
Annex C (normative) Procedure in case the measurement fails to qualify	15
Annex D (informative) Example of a test table	16
Bibliography	17

Foreword

ISO (the International Organization for Standardization) is a worldwide federation of national standards bodies (ISO member bodies). The work of preparing International Standards is normally carried out through ISO technical committees. Each member body interested in a subject for which a technical committee has been established has the right to be represented on that committee. International organizations, governmental and non-governmental, in liaison with ISO, also take part in the work. ISO collaborates closely with the International Electrotechnical Commission (IEC) on all matters of electrotechnical standardization.

International Standards are drafted in accordance with the rules given in the ISO/IEC Directives, Part 2.

The main task of technical committees is to prepare International Standards. Draft International Standards adopted by the technical committees are circulated to the member bodies for voting. Publication as an International Standard requires approval by at least 75 % of the member bodies casting a vote.

Attention is drawn to the possibility that some of the elements of this document may be the subject of patent rights. ISO shall not be held responsible for identifying any or all such patent rights.

ISO 11205 was prepared by Technical Committee ISO/TC 43, *Acoustics*, Subcommittee SC 1, *Noise*.

Acoustics — Noise emitted by machinery and equipment — Engineering method for the determination of emission sound pressure levels *in situ* at the work station and at other specified positions using sound intensity

1 Scope

This International Standard specifies an engineering method (grade 2 accuracy) to determine the emission sound pressure level of machines *in situ*, at the work station or at other specified positions, using sound intensity. It is an alternative to ISO 11201, ISO 11202 and ISO 11204 for *in situ* measurements. It is applicable to all kinds of test environments provided that the requirements on background noise and field indicators are fulfilled.

This International Standard is applicable to equipment emitting stationary broadband noise. The noise can differ between operational cycles and can be with or without discrete frequency or narrow band components.

2 Normative references

The following referenced documents are indispensable for the application of this document. For dated references, only the edition cited applies. For undated references, the latest edition of the referenced document (including any amendments) applies.

ISO 7574-1, *Acoustics — Statistical methods for determining and verifying stated noise emission values of machinery and equipment — Part 1: General considerations and definitions*

ISO 12001, *Acoustics — Noise emitted by machinery and equipment — Rules for the drafting and presentation of a noise test code*

IEC 60942:2003, *Electroacoustics — Sound calibrators*

IEC 61043:2003, *Electroacoustics — Instruments for the measurement of sound intensity — Measurements with pairs of pressure sensing microphones*

3 Terms and definitions

For the purposes of this document, the following terms and definitions apply.

3.1 sound intensity

\bar{I}

time-averaged instantaneous flow of sound energy per unit of area and per unit time in the direction of the local instantaneous acoustic particle velocity in a temporally stationary sound field

$$\bar{I} = \lim_{T \rightarrow \infty} \frac{1}{T} \int_0^T p(t) \bar{u}(t) dt$$

where

$p(t)$ is the instantaneous sound pressure at a point, in pascals;

$\vec{u}(t)$ is the associated instantaneous particle velocity at the same point, in metres per second;

T is the integration period, in seconds;

NOTE The sound intensity is a vectorial quantity. It is expressed in watts per square metre.

3.2 sound intensity vector

\vec{I}_{xyz}

vector sum of three measured orthogonal intensity components

NOTE It is expressed in watts per square metre.

3.3 level of the sound intensity vector

L_{Ixyz}

ten times the logarithm to the base 10 of the ratio of the modulus of the sound intensity vector to the reference intensity I_0 , in decibels, as given by

$$L_{Ixyz} = 10 \lg \left(\frac{|\vec{I}_{xyz}|}{I_0} \right) \text{ dB}$$

NOTE The reference sound intensity is $I_0 = 10^{-12} \text{ W/m}^2$.

3.4 sound field pressure-intensity indicator or field indicator

F_{pIxyz}

difference, in decibels, between the time-averaged measured sound pressure level, L'_p , and the level of the sound intensity vector, L_{Ixyz} , given by

$$F_{pIxyz} = L'_p - L_{Ixyz}$$

NOTE 1 When the indicator is determined for each of the Cartesian coordinates x , y and z , it is denoted F_{pIx} , F_{pIy} and F_{pIz} respectively.

NOTE 2 In ISO 9614-1 the notation F_2 is used.

3.5 pressure-residual intensity index

δ_{pI0}

difference, in decibels, between the indicated sound pressure level and the sound intensity level when the intensity probe is placed and oriented in a sound field such that the sound intensity is zero

EXAMPLE This can be achieved in an acoustic coupler, or other suitable unit that has been designed for the probe so that the microphones are transverse to the direction of propagation of plane sound waves.

3.6 emission sound pressure level

L_p

sound pressure level at a specified position near a machine, when the machine is in operation under specified operating and mounting conditions on a reflecting plane surface, excluding the effects of background noise as well as the effect of reflections other than those from the plane or planes permitted for the purpose of the test

NOTE It is expressed in decibels.

3.7**specified position**

position defined in relation to a machine, including, but not limited to, an operator's position

NOTE The position can be a single, fixed point, or a combination of points along a path or on a surface located at a specified distance from the machine, as described in the relevant test code, if any. Positions located in the vicinity of a work station, or in the vicinity of an unattended machine, may be identified as "bystander positions".

3.8**dynamic capability index**

L_d

difference, in decibels, between the pressure-residual intensity index and the bias error factor, K

$$L_d = \delta_{pI0} - K$$

NOTE The value of K is 10 dB in this International Standard.

3.9**hemi-free field intensity correction**

K_5

correction to account for the fact that the sound intensity level is slightly smaller than the sound pressure level in a hemi-free field

NOTE 1 In this International Standard, $K_5 = 1$ dB.

NOTE 2 By introducing this correction, the risk of a small systematic underestimate of the emission sound pressure level is minimized, see references [9] to [16] in the Bibliography. K_5 is frequency independent and thus also valid for A-weighted sound pressure levels with the notation K_{5A} .

4 Measurement uncertainty

A single value of an emission sound pressure level of a noise source determined according to the procedures of this International Standard is likely to differ from the true value at a fixed position by an amount within the range of the measurement uncertainty. The uncertainty in measurements of emission sound pressure levels arises from several factors which affect the results, some associated with environmental conditions in the measurement room and others with experimental techniques. A method for the determination of the measurement uncertainty from information on the various influence parameters is specified in the GUM.

Until more specific knowledge is available, the estimation of the measurement uncertainty might be based on existing information on the standard deviations of reproducibility and repeatability according to ISO 7574-1. Extensive measurement data are necessary in order to establish standard deviations of reproducibility and repeatability of emission sound pressure levels at individual positions; in any case, these standard deviations are likely to vary considerably between the many types of different machinery and equipment to which this International Standard is applied. It is therefore not possible to provide information that is universally applicable, and reference can only be made to noise test codes for relevant data on individual types of machines.

A typical value for the standard deviation of reproducibility is given in Table 1. From this, and with additional information on the standard deviation of repeatability, the total standard deviation and an estimate of the expanded measurement uncertainty for a coverage probability of approximately 95 % corresponding to a coverage factor of two, may be derived, as indicated.

Table 1 — Measurement uncertainty of the A-weighted emission sound pressure level

Reproducibility ^a standard deviation, σ_{RA} , for a stable source dB	Repeatability ^b standard deviation, σ_{rA} , for an unstable source dB	Total standard deviation dB	Expanded uncertainty ^d dB
1,5 ^c	σ_{rA}	$\sqrt{\sigma_{RA}^2 + \sigma_{rA}^2}$	$2\sqrt{\sigma_{RA}^2 + \sigma_{rA}^2}$
<p>^a Found by different operators using different equipment measuring the same machine in different environments. This value includes a small repeatability standard deviation ($\sigma_r \approx 0,5$ dB).</p> <p>^b Found by the same operator measuring the same machine in the same environment using the same equipment (only to be used if $\sigma_r > 0,5$ dB).</p> <p>^c If frequencies above 5 000 Hz dominate the A-weighted level, σ_{RA} may be greater, see Annex B.</p> <p>^d 95 % confidence under the assumption of a Gaussian distribution.</p>			

NOTE The value of the measurement uncertainty has been taken from References [11], [12], [15], [16] and [17] in the Bibliography.

5 Principle

The basic principle of the test method is that the sound intensity in a diffuse sound field is small (theoretically it should be zero) and that the sound pressure level equals the sound intensity level in a free progressive wave. The test method assumes that sound which has been reflected will add up to a diffuse sound field. The direct sound from the machine under test will not be part of the diffuse sound field but constitute the free progressive wave.

These assumptions will not be fulfilled if sound intensities from different parts of the machine with similar magnitude will meet at the probe and, to some extent, cancel each other. In such cases, the sound intensity will become smaller and, assuming uncorrelated summation, the sound pressure will become greater. In such cases, the level of the sound intensity vector will underestimate the emission sound pressure level. By adding K_5 to deal with the underestimate of the floor reflection and, for large machines, by requiring that the sound field pressure-intensity indicator meets the criterion specified in 8.5 the underestimate will be negligible.

6 Instrumentation

6.1 General

The intensity-measuring instrumentation shall be able to measure intensity levels re 10^{-12} W/m² in decibels in octave or one-third-octave bands. The instrument, including the probe, shall comply with a Class 1 instrument in accordance with IEC 61043:2003. If the probe does not have a flat frequency response above 5 000 Hz, see Annex B.

The residual pressure-intensity index δ_{pI0} of the microphone probe and analyser shall be higher than $F_{pI} + 10$ dB in each octave or one-third-octave band.

6.2 Calibration

The compliance of the instrumentation system with the requirements of IEC 61043 shall be verified periodically in a manner that is traceable to appropriate standards.

During each series of measurements, the instrument and the probe shall be calibrated at least at one frequency in the range from 200 Hz to 1 000 Hz in accordance with the calibration procedure.

The following field checks to test the instrument shall be made before each series of measurements.

- a) Carry out a field check according to the instrument manufacturer's specifications.

If no field check is specified by the instrument manufacturer, check the instrumentation according to b) and c):

- b) Sound pressure level: Check each pressure microphone of the intensity probe for sound pressure level using a Class 1 calibrator in accordance with IEC 60942:2003.
- c) Intensity: Calibrate using an intensity calibrator. If such a calibrator is not available or if the probe construction does not allow it, make a check as follows. Place the intensity probe, oriented towards the most important source of sound emission, at a position where the noise from the machine is characteristic for that machine. The intensity probe should be mounted on a stand to retain the same position while carrying out the measurement check. Measure the intensity. Reverse the direction of the intensity probe 180° in the same position as the first measurement and measure the intensity again. For the maximum sound intensity level measured in one-third-octave or octave bands, the unsigned difference between the two sound intensity levels shall be less than 1,5 dB for the measurement instrumentation to be acceptable.

7 Installation and operation of the source

7.1 General

The manner in which the machine under test is installed and operated may have a significant influence on the emission sound pressure levels at the specified positions. This clause specifies conditions that are intended to minimize variations in the noise emission due to the installation and operating conditions of the machine under test. Relevant instructions to a noise test code, if any exists for the family of machinery or equipment to which the machine under test belongs, shall be followed. The same installation and operating conditions of the machine under test shall be used for the determination of emission sound pressure levels and sound power levels. The noise test code for the machinery concerned describes the installation, mounting and operating conditions in detail.

NOTE The noise test code might make an exception to this requirement on identical installation, mounting and operating conditions for equipment that is used on tables. Such equipment may be mounted on the floor during sound power determinations.

Particularly for large machines, it is necessary to make a decision as to which components, sub-assemblies, auxiliary equipment, power sources, etc., belong to the machine under test.

7.2 Location of the machine

The machine under test shall be installed in one or more locations with respect to the reflecting plane as if it were being installed for normal usage. Where possible, unless the typical installation is against a wall, ceiling or reflecting object, the machine under test shall be located at a position remote from such reflecting surfaces.

NOTE Typical installation conditions for some machines involve two or more reflecting surfaces (e.g. an appliance installed against a wall), or free space (e.g. a hoist), or an opening in an otherwise reflecting plane (so that radiation can occur on both sides of the reflecting plane). Detailed information on installation conditions should be based on the general requirements of this International Standard and on the relevant noise test code, if one exists. Procedures for testing when the machine is close to reflecting surfaces are outlined in subsequent clauses of this International Standard.

7.3 Mounting of the machine

7.3.1 General

In many cases, the noise emission at the specified positions of the machine under test will depend upon the support or mounting conditions of the machine. Whenever a typical mounting condition exists for a machine, that condition shall be used or simulated, if practicable.

If a typical mounting condition does not exist or cannot be utilized for the test, care shall be taken to avoid changes in the sound emission of the machine caused by the mounting system used for the test. Steps shall be taken to reduce any sound radiation from the structure on which the machine is mounted.

Resilient mounts shall be used only if the machine under test is resiliently mounted in typical field installations. Many small machines, although themselves poor radiators of low-frequency sound, may, as a result of the method of mounting, radiate more low-frequency sound when their vibrational energy is transmitted to surfaces large enough to be efficient radiators. If this is so, then resilient mounting shall be interposed, if possible, between the machine to be tested and the supporting surfaces so that the transmission of vibration to the support and the reaction of the source are both minimized. In this case, the mounting base should be rigid (i.e. have a sufficiently high mechanical impedance) to prevent it from vibrating excessively and radiating sound.

NOTE Coupling conditions (e.g. between prime movers and driven machines) can exert a considerable influence on the sound radiation of the machine under test.

7.3.2 Hand-held machinery and equipment

Such machinery and equipment shall be suspended or guided by hand so that no structure-borne sound is transmitted via any attachment that does not belong to the machine under test. If the machine under test requires a support for its operation, the support structure shall be small, considered to be a part of the machine under test, and as described in the relevant test code, if any exists.

7.3.3 Base-mounted and wall-mounted machinery and equipment

Such machinery and equipment shall be placed on a reflecting (acoustically hard) plane (floor or wall). Base-mounted machinery or equipment intended exclusively for mounting in front of a wall shall be installed on an acoustically hard surface in front of an acoustically hard wall. Table-top machinery or equipment shall be placed on a table or stand as required for operation according to the noise test code specific to the family of machinery or equipment to which the machine under test belongs. The table or stand shall be at least 1,5 m from any absorptive surface of the test room. Such machinery or equipment shall be placed at the centre of the top of the standard test table. A suitable design of a test table is shown in Annex D.

7.4 Auxiliary equipment

Care shall be taken to ensure that any electrical conduits, piping or air ducts connected to the machine under test do not radiate significant amounts of sound energy into the test environment.

If practicable, all auxiliary equipment necessary for the operation of the machine under test but which is not part of it (see 7.1) shall be located outside the test environment. If this is impracticable, the auxiliary equipment shall be included in the test configuration and its operating conditions described in the test report.

7.5 Operation of the machine under test

During the noise measurements, the operating conditions specified in the relevant noise test code shall be used, if any exists for the particular family of machinery or equipment to which the machine under test belongs. If there is no test code, the machine under test shall, if possible, be operated in a manner which is typical of normal use. In such cases, one or more of the following operating conditions shall be selected:

- a) machine under specified load and operating conditions;
- b) machine under full load (if different from the first condition above);
- c) machine under no load (idling);
- d) machine under operating conditions corresponding to maximum sound generation representative of normal use;

- e) machine with simulated load operating under carefully defined conditions;
- f) machine under operating conditions with characteristic operational cycle.

Emission sound pressure levels at specified positions shall be determined for any desired set of operating conditions (e.g. temperature, humidity, device speed). These test conditions shall be selected beforehand and shall be held constant during the test. The machine under test shall be in the desired operating condition before any noise measurements are made.

If the noise emission also depends on other operating parameters (e.g. type of material being processed or type of tool) then, out of the aggregate of possibilities, the ones to be defined shall be those which narrow down the variation possibilities as far as is practicable and which can be regarded as typical with regard to the noise emission.

For special purposes, it is appropriate to define one or more operating conditions in such a way that both a high reproducibility of noise emission of machinery or equipment of the same family is ensured and that the operating conditions which are most common and typical for the family of machinery or equipment are covered. These operating conditions shall be defined in specific noise test codes.

If simulated operating conditions are used, they shall be chosen to give emission sound pressure levels at specified positions which are representative of normal usage of the machine under test.

In special cases, the results for several operating conditions may be combined by energy averaging, possibly with different time components taken into account, thereby yielding the result for the main operating condition so defined.

The operating conditions of the machine under test during noise measurements shall be fully described in the test report.

8 Test procedure

8.1 Applicability

The method of this International Standard is not applicable when the intensity vector is directed towards the machine under test, see Annex A.

If the method of this International Standard is applied to a machine located in front of a reflecting wall or in a corner, the result will be the emission sound pressure level corresponding to the one obtained in a hemi-anechoic room with the machine in front of one or two reflecting panels respectively, provided that the measurement position is not between the machine under test and one of the walls. If the measurement position is between the machine under test and the wall, the probe shall be at least 1 m from the wall. If the purpose is to simulate hemi-free field conditions and the machine is mounted in such a position, it is necessary to cover the wall with sound-absorbing material. The thickness of the sound-absorbing material required will depend on the frequency spectrum. Normally 10 cm of mineral wool or equivalent materials will be sufficient.

8.2 Measurement time interval

8.2.1 General

The measurement time interval shall be chosen in such a way that the emission sound pressure level and, as required, the time characteristics of sound emission at specified positions can be determined for the specified operating conditions.

For a given machine under test, the measurement time interval, T , may be composed of a number of sub-measurement time intervals, T_i , each of which corresponds to a specified operational period of the machine. In

this case, a single emission sound pressure level is usually desired. It is obtained by averaging the individual A-weighted emission sound pressure levels according to the following equation:

$$L_{pA} = 10 \lg \left[\frac{1}{T} \sum_{i=1}^N T_i 10^{0,1L_{pA,T_i}} \right] \text{ dB} \quad (1)$$

where

T is the total measurement time interval $T = \sum_{i=1}^N T_i$

T_i are the sub-measurement time intervals;

N is the total number of sub-measurement time intervals or operational periods;

L_{pA,T_i} is the A-weighted emission sound pressure level over a sub-measurement time interval T_i .

For machinery and equipment with a specified operational cycle, it is usually necessary to extend the measurement time interval to an integral number of consecutive operational cycles.

The measurement time interval shall correspond only to the operational periods for which the emission sound pressure level and, as required, the time characteristics of sound emission are desired.

Values of the measurement time interval, possible sub-measurement time intervals and number of operational cycles contained in the measurement time interval are usually to be found in the noise test code specific to the family of machinery or equipment to which the machine under test belongs, if any exists. In any case, these values shall be identical to those defined for determining the sound power level of the machine under test.

8.2.2 Steady noise

If the noise emission at a specified position is steady for the specified operating condition (see ISO 12001), the measurement time interval shall be at least 15 s.

8.3 Measurements

Mount the intensity probe at the specified position of the machine under test. No reflecting objects, including the instrument operator, other than the machine under test are allowed within 0,5 m of the intensity probe. If there are such objects, they shall be covered with sound-absorbing material. For table top equipment, the table is considered to be part of the test object.

Measure the intensity components consecutively in three cartesian directions, x , y and z . Measure, for each direction, the sound intensity level and the sound pressure level, A-weighted and, if relevant, in frequency bands. The averaging time shall be at least 30 s in each probe position for frequency bands centred on or below 160 Hz, and 15 s for the frequency bands centred on or above 200 Hz. If possible, measure the time-integrated sound pressure level L_p simultaneously. If this is not possible, measure the sound pressure level afterwards at the same point as during the intensity measurements.

Calculate the level of the sound intensity vector, $L_{I_{xyz}}$ from

$$L_{I_{xyz}} = 10 \lg \sqrt{(10^{0,1L_{Ix}})^2 + (10^{0,1L_{Iy}})^2 + (10^{0,1L_{Iz}})^2} \text{ dB} \quad (2)$$

where L_{Ix} , L_{Iy} and L_{Iz} are the sound intensity levels determined in the three cartesian directions x , y and z . Calculate the sound field pressure-intensity indicators, $F_{pI_{xyz}}$, F_{pIx} , F_{pIy} and F_{pIz} respectively.

8.4 Wind and gas flows

Intensity probes are more sensitive to wind and gas flows than normal microphones. Use a wind screen when there is a detectable flow. If the wind/gas flow exceeds 4 m/s, the measurement is not valid unless it can be shown that the flow has had a negligible influence on the frequencies of interest.

NOTE Some further guidelines on measurements in flow are given in Annex C of ISO 9614-2:1996.

8.5 Criteria for qualification of the measurement

The sound field pressure-intensity indicator associated with the largest sound intensity vector component, $\min.\{F_{plx}, F_{ply}, F_{plz}\}$, shall comply with the following requirements:

$$\min.\{F_{plx}, F_{ply}, F_{plz}\} \leq L_d \quad (3)$$

$$F_{plx} < 10 \text{ dB} \quad (4)$$

In addition, for machines whose largest dimension exceeds 2 m, the same condition shall be fulfilled for two of the three x , y , z -directions. If, for large machines, the condition is fulfilled for one direction only, it may still be possible to qualify the measurement by rotating the coordinate system of the probe and repeating the measurements; see Annex C.

8.6 Criterion for background noise

At the probe position(s), when the machine under test is switched off, the unsigned background sound intensity level measured as a weighted level or in each of the frequency bands of interest in the direction of the machine under test shall be at least 10 dB below the level of the machine under test at all times. No corrections shall be made.

8.7 Frequency range of measurements

The sound pressure level and the sound intensity level shall be measured using octave-band filters having the following mid-band frequencies, in hertz:

63 125 250 500 1 000 2 000 4 000 8 000

Optionally, the measurements can be made in one-third-octave bands with mid-band frequencies of at least from 50 Hz to 6 300 Hz. For frequencies higher than 5 000 Hz, see Annex B.

NOTE If only an A-weighted determination is required, any single A-weighted band level of 10 dB or more below the highest A-weighted band level may be ignored. If more than one band level appears insignificant, the bands may be ignored if the level of the sum of the A-weighted levels in these bands is 10 dB or more below the highest A-weighted band level.

8.8 Evaluation of the measurement result

The emission sound pressure level L_p is given by

$$L_p = L_{Ixyz} + K_5 \quad (5)$$

where $K_5 = 1 \text{ dB}$

The measurement is not valid in any frequency band in which the sound intensity vector points towards the machine under test; see Annex A.

9 Information to be recorded

9.1 General

The following information, when applicable, shall be compiled and recorded for all measurements made in accordance with this International Standard. Rounding of computed data values shall occur only after performing the final computational step before reporting.

9.2 Machine under test

Description of the machine, including its

- type,
- technical data,
- dimensions,
- manufacturer,
- machine serial number, and
- year of manufacture.

9.3 Test conditions

The following shall be included:

- a) precise quantitative description of operating conditions and, if relevant, operational periods and cycle;
- b) mounting conditions;
- c) location of machine in the test environment;
- d) if the machine under test has multiple noise sources, a description of the sources in operation during the measurements.

9.4 Acoustic environment

Description of the test environment, as follows:

- description of the physical treatment of walls, ceiling and floor;
- sketch showing the location of the machine under test and room contents.

9.5 Instrumentation

The following shall be included:

- a) equipment used for measurements, including name, type, serial number and manufacturer;
- b) description of the measurement probe;
- c) method used for verifying the calibration of the measuring system; the date, place and result of calibration shall be recorded;
- d) characteristics of wind screen, if any.

9.6 Location of specified positions

A precise quantitative description shall be recorded of all positions where emission sound pressure levels have been determined.

9.7 Noise data

The following shall be included:

- a) the values of the determined emission sound pressure level together with the level of the sound intensity vector, L_{Ixyz} and field indicator F_{pIxyz} for each frequency band of interest;
- b) the frequency range used to evaluate the A-weighted emission sound pressure level;
- c) microphone spacing used for the different frequency bands;
- d) frequency response corrections, if any;
- e) background sound intensity levels;
- f) place where and date when the measurements were performed, and person responsible for the test;
- g) measurement uncertainty.

10 Information to be reported

Only those recorded data (see Clause 9) which are required for the purposes of the measurements shall be reported.

11

Annex A (normative)

Criterion for the adequacy of the direction of the sound intensity vector

In order to limit the measurement uncertainty within the span given by Table 1, the sound intensity vector at the measurement position shall point away from the machine under test; i.e. the angle θ defined by the vector directing from the machine under test through the measurement position and the sound intensity vector at the measurement position shall be within the range -90° to $+90^\circ$:

$$\cos(\theta) > 0 \quad (\text{A.1})$$

This value is described by the scalar product

$$\cos(\theta) = (\bar{x}_{yz}, \bar{r}) \quad (\text{A.2})$$

where \bar{x}_{yz} is the unit vector directed along the resultant of the energy flow (see 3.2)

$$\bar{x}_{yz} = \frac{1}{I_{xyz}} \{I_x; I_y; I_z\} \quad (\text{A.3})$$

where

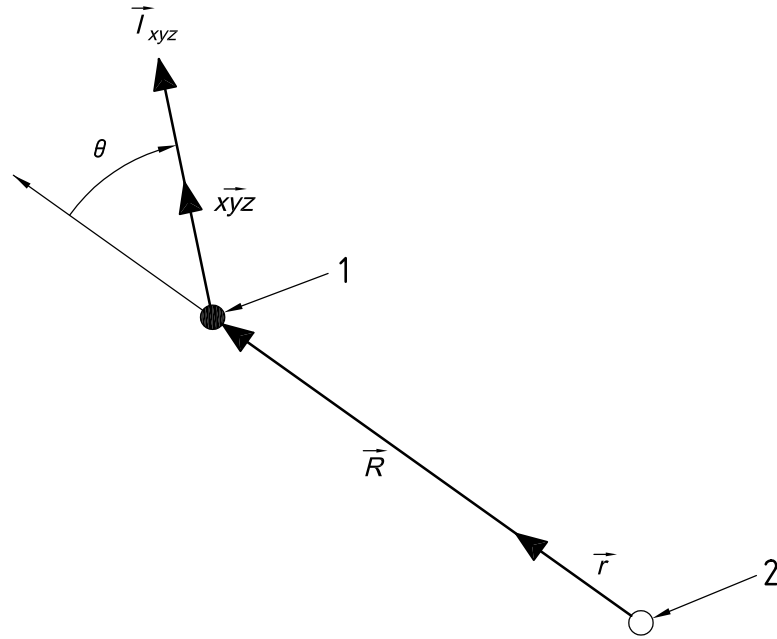
I_x, I_y, I_z are the three intensity components measured;

$I_{xyz} = 10^{0,1L_{Lxyz}}$ with L_{Lxyz} defined by Equation (2); and

$\bar{r} = \frac{\vec{R}}{|\vec{R}|}$ is the unit vector directed from the acoustical centre of the machine to the measurement position as described by Figure A.1. $|\vec{R}|$ is the modulus of \vec{R} .

If the acoustical centre of the machine is not obvious, its geometrical centre shall be used.

If criterion (A.1) is not fulfilled, the value of $\cos(\theta)$ shall be recorded in addition to the information given by Clauses 9 and 10. In this case, measurement uncertainties higher than that given by Table 1 can be expected and the grade of accuracy for an engineering method will not be met.



Key

- 1 measurement position x_i, y_i, z_i
- 2 centre of the machine under test x_0, y_0, z_0

\vec{I}_{xyz} is the sound intensity vector at the measurement position x_i, y_i, z_i

$$\vec{R} = \{x_i - x_0; y_i - y_0; z_i - z_0\}$$

Figure A.1 — Definition of angle θ

Annex B
(normative)

Procedure for frequencies higher than 5 000 Hz

Unless the intensity probe has a flat frequency response up to 10 000 Hz, follow one of the following options:

- a) follow the instructions, if available, from the manufacturer; or
- b) select a probe configuration with 6 mm microphones and 6 mm spacing.

NOTE For further information on frequency response, see [18].

Annex C (normative)

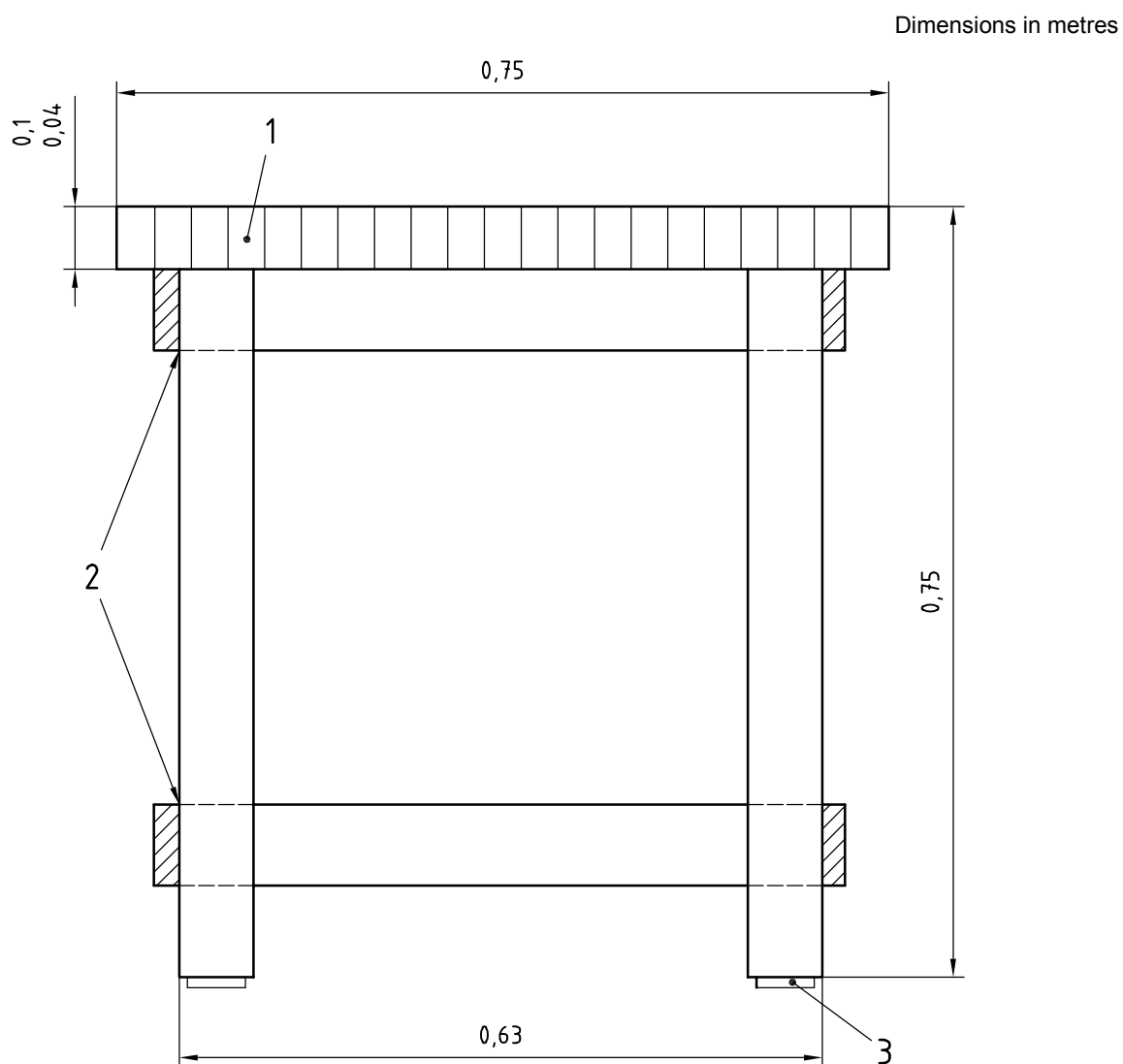
Procedure in case the measurement fails to qualify

If the probe is directed towards a small, dominating partial source of a machine, the largest dimension of which exceeds 2 m, it may happen that the requirement for the sound field pressure-intensity indicator is met in one direction only although the measurement is perfectly valid. In such cases, rotating the probe coordinate system 45° around the vertical axis and repeating the measurement in the three orthogonal directions can test the validity of the measurement. If, in this case, the same requirements are fulfilled for two of the new three orthogonal directions, the measurement uncertainty of Table 1 will still be valid.

Annex D (informative)

Example of a test table

An example of a test table is shown in Figure D.1. The table is made of laminated wood, 0,04 m to 0,10 m thick, having a minimum area of 0,5 m² and a minimum lateral dimension of 0,7 m. The table may have slots or holes in its top surface as necessary for the operation of the machine.



Key

- 1 top of bonded laminated wood
- 2 legs and braces, screwed and bonded
- 3 isolating pads

Figure D.1 — Example of a test table

Bibliography

- [1] ISO 9614-1, *Acoustics — Determination of sound power levels of noise sources using sound intensity — Part 1: Measurement at discrete points*
- [2] ISO 9614-2:1996, *Acoustics — Determination of sound power levels of noise sources using sound intensity — Part 2: Measurement by scanning*
- [3] ISO 11200, *Acoustics — Noise emitted by machinery and equipment — Guidelines for the use of basic standards for the determination of emission sound pressure levels at a work station and at other specified positions*
- [4] ISO 11201, *Acoustics — Noise emitted by machinery and equipment — Measurement of emission sound pressure levels at a work station and at other specified positions — Engineering method in an essentially free field over a reflecting plane*
- [5] ISO 11202, *Acoustics — Noise emitted by machinery and equipment — Measurement of emission sound pressure levels at a work station and at other specified positions — Survey method in situ*
- [6] ISO 11203, *Acoustics — Noise emitted by machinery and equipment — Determination of emission sound pressure levels at a work station and at other specified positions from the sound power level*
- [7] ISO 11204, *Acoustics — Noise emitted by machinery and equipment — Measurement of emission sound pressure levels at a work station and at other specified positions — Method requiring environmental corrections*
- [8] GUM, *Guide for the expression of uncertainty in measurement* (BIPM, IEC, IFCC, ISO, IUPAC, OIML)
- [9] JONASSON, H.G. & ANDRESEN, G. *Measurement of emission sound pressure levels using sound intensity*. SP Report 1995:75, Borås, Sweden (ISBN 91-7848-604-1, ISSN 0284-5172)
- [10] JONASSON, H.G. & ANDRESEN, G. Determination of emission sound pressure levels. Comparisons between a new intensity method and traditional ISO standards. *Proceedings Internoise 96*, Liverpool, 1996
- [11] JONASSON, H.G. *Determination of emission sound pressure level and sound power level in situ*. Project SMT-CT 96-2051, SP Report 1999:17
- [12] HÜBNER, G. & GERLACH, A. Determination of emission sound pressure levels using three-component sound intensity measurements. *Proceedings of Euronoise*, München, 1998
- [13] HÜBNER, G. & GERLACH, A. Determination of emission sound pressure levels using sound intensity measurements — Comparisons of different intensity methods. *Proceedings of Internoise 98*, Christchurch, 1998
- [14] HÜBNER, G. & GERLACH, A. Report on investigations of the different standards of the ISO 11200-series, especially ISO 11205 (to be published)
- [15] HÜBNER, G. & GERLACH, A. Further investigations on the accuracy of the emission sound pressure level determined by a three-component intensity measurement procedure. *Proceedings of Internoise 99*, Ft Lauderdale, 1999
- [16] HÜBNER, G. & GERLACH, A. Untersuchung zur Präzisierung der Intensitätsmesstechnik in Bezug auf die Ermittlung des Emissionsschalldruckpegels. *Schriftenreihe der Bundesanstalt für Arbeitsschutz und Arbeitsmedizin*, Fb1794

- [17] KEITH, S.E., KRISHNAPPA, G., CHIU, V. Determination of sound pressure levels in situ using sound intensity measurements. *Noise-Con 2000*
- [18] JACOBSEN, F., CUTANDA, V. & JUHL, P. A numerical and experimental investigation of the performance of sound intensity probes at high frequencies. *J. Acoust. Soc. Am.*, **103**(2), 1998

11205:2003(E)

ICS 17.140.01

Price based on 18 pages