
**Hand-held non-electric power tools —
Safety requirements —**

Part 1:

**Assembly power tools for non-threaded
mechanical fasteners**

*Machines portatives à moteur non électrique — Exigences de
sécurité —*

Partie 1: Machines portatives de pose d'éléments de fixation non filetés



Reference number
ISO 11148-1:2011(E)



COPYRIGHT PROTECTED DOCUMENT

© ISO 2011

All rights reserved. Unless otherwise specified, no part of this publication may be reproduced or utilized in any form or by any means, electronic or mechanical, including photocopying and microfilm, without permission in writing from either ISO at the address below or ISO's member body in the country of the requester.

ISO copyright office
Case postale 56 • CH-1211 Geneva 20
Tel. + 41 22 749 01 11
Fax + 41 22 749 09 47
E-mail copyright@iso.org
Web www.iso.org

Published in Switzerland

Contents

Page

Foreword	iv
Introduction.....	v
1 Scope	1
2 Normative references	2
3 Terms and definitions	2
3.1 General terms and definitions.....	2
3.2 Terms and definitions related to assembly power tools for non-threaded mechanical fasteners.....	4
4 Safety requirements and/or protective measures.....	4
4.1 General	4
4.2 Mechanical safety.....	5
4.3 Thermal safety	5
4.4 Noise reduction	5
4.5 Vibration	6
4.6 Materials and substances processed, used or exhausted.....	6
4.7 Ergonomics	7
4.8 Controls	7
5 Verification	8
5.1 General conditions for the tests	8
5.2 Noise.....	8
5.3 Vibration	8
5.4 Unintentional start.....	8
5.5 Power tool construction	8
5.6 Structure of verification	8
6 Information for use.....	9
6.1 Marking, signs and written warnings	9
6.2 Instruction handbook.....	10
6.3 Operating instructions	14
6.4 Data	14
6.5 Maintenance instructions	15
Annex A (informative) List of significant hazards	16
Annex B (informative) Examples of assembly power tools for non-threaded mechanical fasteners covered by this part of ISO 11148.....	17
Annex C (normative) Symbols for labels and signs.....	18
Bibliography.....	19

Foreword

ISO (the International Organization for Standardization) is a worldwide federation of national standards bodies (ISO member bodies). The work of preparing International Standards is normally carried out through ISO technical committees. Each member body interested in a subject for which a technical committee has been established has the right to be represented on that committee. International organizations, governmental and non-governmental, in liaison with ISO, also take part in the work. ISO collaborates closely with the International Electrotechnical Commission (IEC) on all matters of electrotechnical standardization.

International Standards are drafted in accordance with the rules given in the ISO/IEC Directives, Part 2.

The main task of technical committees is to prepare International Standards. Draft International Standards adopted by the technical committees are circulated to the member bodies for voting. Publication as an International Standard requires approval by at least 75 % of the member bodies casting a vote.

Attention is drawn to the possibility that some of the elements of this document may be the subject of patent rights. ISO shall not be held responsible for identifying any or all such patent rights.

ISO 11148-1 was prepared by Technical Committee ISO/TC 118, *Compressors and pneumatic tools, machines and equipment*, Subcommittee SC 3, *Pneumatic tools and machines*.

ISO 11148 consists of the following parts, under the general title *Hand-held non-electric power tools — Safety requirements*:

- *Part 1: Assembly power tools for non-threaded mechanical fasteners*
- *Part 2: Cutting-off and crimping power tools*
- *Part 3: Drills and tappers*
- *Part 4: Non-rotary percussive power tools*
- *Part 5: Rotary percussive drills*
- *Part 6: Assembly power tools for threaded fasteners*
- *Part 7: Grinders*
- *Part 8: Sanders and polishers*
- *Part 9: Die grinders*
- *Part 10: Compression power tools*
- *Part 11: Nibblers and shears*
- *Part 12: Circular, oscillating and reciprocating saws*

A part 13, dealing with fastener driving tools, is under preparation.

Introduction

This document is a type-C standard as stated in ISO 12100.

The machinery concerned and the extent to which hazards, hazardous situations and events are covered are defined in the Scope of this part of ISO 11148.

When requirements of this type-C standard are different from those which are stated in type-A or -B standards, the requirements of this type-C standard take precedence over the requirements of other standards for machines that have been designed and built according to the requirements of this type-C standard.

ISO 11148 consists of a number of independent parts for individual types of hand-held non-electric power tools.

Certain parts of ISO 11148 cover hand-held non-electric power tools driven by internal combustion engines powered by gaseous or liquid fuel. In these parts, the safety aspects relating to internal combustion engines are found in a normative annex.

The parts are type-C standards and refer to pertinent standards of type A and B where such standards are applicable.

www.iso.org

Hand-held non-electric power tools — Safety requirements —

Part 1:

Assembly power tools for non-threaded mechanical fasteners

IMPORTANT — The colours represented in the electronic file of this document can be neither viewed on screen nor printed as true representations. For the purposes of colour matching, see ISO 3864-4, which provides colorimetric and photometric properties together with, as a guideline, references from colour order systems.

1 Scope

This part of ISO 11148 specifies safety requirements for hand-held non-electric power tools (hereinafter “assembly power tools for non-threaded mechanical fasteners”) intended for installation, tightening or removal of both breakstem and non-breakstem rivets, bolts, plugs and fasteners from one side of a workpiece into metals, plastics and other materials. The assembly power tools for non-threaded mechanical fasteners can be powered by compressed air, hydraulic fluid or internal combustion engines and are intended to be used by one operator and supported by the operator's hand or hands, with or without a suspension, e.g. a balancer.

NOTE 1 At the time of publication, no assembly power tools for non-threaded mechanical fasteners driven by internal combustion engines are known. Once these are identified, it is intended to amend this part of ISO 11148 to include such power tools.

This part of ISO 11148 is applicable to:

- breakstem fastener, rivet or plug tools;
- breakstem lockbolt tools;
- mandrel loaded riveting tools;
- rivet nut setters.

NOTE 2 For examples of assembly power tools for non-threaded mechanical fasteners, see Annex B.

This part of ISO 11148 is not applicable to special requirements and modifications of hand-held power tools for the purpose of mounting them in a fixture.

This part of ISO 11148 deals with all significant hazards, hazardous situations or hazardous events relevant to assembly power tools for non-threaded mechanical fasteners when they are used as intended and under conditions of misuse which are reasonably foreseeable by the manufacturer, with the exception of the use of power tools in potentially explosive atmospheres.

NOTE 3 EN 13463-1 gives requirements for non-electrical equipment for potentially explosive atmospheres.

2 Normative references

The following referenced documents are indispensable for the application of this document. For dated references, only the edition cited applies. For undated references, the latest edition of the referenced document (including any amendments) applies.

ISO 3857-3, *Compressors, pneumatic tools and machines — Vocabulary — Part 3: Pneumatic tools and machines*

ISO 5391, *Pneumatic tools and machines — Vocabulary*

ISO 12100:2010, *Safety of machinery — General principles for design — Risk assessment and risk reduction*

ISO 13732-1, *Ergonomics of the thermal environment — Methods for the assessment of human responses to contact with surfaces — Part 1: Hot surfaces*

ISO 13732-3, *Ergonomics of the thermal environment — Methods for the assessment of human responses to contact with surfaces — Part 3: Cold surfaces*

ISO 15744, *Hand-held non-electric power tools — Noise measurement code — Engineering method (grade 2)*

ISO 17066, *Hydraulic tools — Vocabulary*

ISO 20643, *Mechanical vibration — Hand-held and hand-guided machinery — Principles for evaluation of vibration emission*

EN 12096, *Mechanical vibration — Declaration and verification of vibration emission values*

3 Terms and definitions

For the purposes of this document, the terms and definitions given in ISO 3857-3, ISO 5391, ISO 12100 and ISO 17066 (for hydraulic tools) and the following apply.

3.1 General terms and definitions

3.1.1

hand-held power tool

machine operated by one or two hands and driven by rotary or linear motors powered by compressed air, hydraulic fluid, gaseous or liquid fuel, electricity or stored energy (e.g. by a spring) to do mechanical work and so designed that the motor and the mechanism form an assembly that can easily be brought to its place of operation

NOTE Hand-held power tools driven by compressed air or gas are called pneumatic tools (or air tools). Hand-held power tools driven by hydraulic liquid are called hydraulic tools.

3.1.2

inserted tool

tool inserted in the assembly power tool for non-threaded mechanical fasteners to perform the intended work

3.1.3

service tool

tool for performing maintenance or service on the assembly power tool for non-threaded mechanical fasteners

3.1.4

control device

device to start and stop the assembly power tool for non-threaded mechanical fasteners or to change the direction of the rotation or to control the functional characteristics, such as speed and power

3.1.5**start-and-stop device
throttle**

manually operated control on the assembly power tool for non-threaded mechanical fasteners by which the energy supply to the motor can be turned on and off

3.1.6**hold-to-run start-and-stop device
constant pressure throttle**

start-and-stop device which automatically returns to the OFF position when force on the start-and-stop device actuator is released

3.1.7**lock-on start-and-stop device
constant pressure throttle with instant release lock**

hold-to-run start-and-stop device that can be locked in the ON position and which is designed so that it permits the assembly power tool for non-threaded mechanical fasteners to be turned off by a single motion of the same finger or fingers used to turn it on

3.1.8**lock-off start-and-stop device
lock-off throttle**

start-and-stop device that automatically latches in the OFF position when the actuator is released and where two motions are required to energize the assembly power tool for non-threaded mechanical fasteners

3.1.9**positive on-off start-and-stop device
positive on-off throttle**

start-and-stop device that remains in the ON position until it is manually changed

3.1.10**maximum operating pressure**

maximum pressure at which an assembly power tool for non-threaded mechanical fasteners may be operated

3.1.11**whip hose**

air hose connecting the main air hose with an air tool for the purpose of providing more flexibility

3.1.12**rated air pressure**

air pressure, required at an air tool inlet port to ensure rated performance of the tool, also considered the maximum pressure at which the tool may be operated

3.1.13 Rated speed**3.1.13.1****rated speed**

⟨pneumatic tool⟩ speed of an air tool at no load and rated air pressure at the tool inlet port

NOTE The rated speed is expressed in revolutions per minute.

3.1.13.2**rated speed**

⟨hydraulic tool⟩ nominal speed of a hydraulic tool at no load and rated flow at the tool inlet port

NOTE The rated speed is expressed in revolutions per minute.

3.1.14

maximum attainable speed

maximum speed which the tool can achieve under the most adverse condition of possible maladjustment or malfunction of its speed control devices, when supplied with compressed air at the pressure marked on the assembly power tool for non-threaded mechanical fasteners

3.1.15

suspension device

device, which is attached to the tool, whose primary purpose is to reduce the strain on the operator caused by the weight of the tool

NOTE The device can also have a secondary purpose of transmitting a reaction torque.

3.2 Terms and definitions related to assembly power tools for non-threaded mechanical fasteners

3.2.1

assembly tool for non-threaded mechanical fasteners

power tool with an axial displacement, used for the purpose of installing or tightening fasteners, such as breakstem fasteners, plugs or rivets, from one side of a workpiece

3.2.2

breakstem lockbolt tool

power tool with an axial displacement, fastener stem gripping and lockbolt collar swaging device for the installation, tightening or removing of lockbolts whereby the retaining lockbolt collar can be permanent or removable

3.2.3

mandrel loaded riveting tool

power tool with an axial displacement cylinder or cylinders with means to grip a mandrel on to which hollow rivets or fasteners are loaded either singly or in quantity

NOTE Mandrels feature an enlarged head which, when displaced through the fastener, cause it to clench and expand in the workpiece.

3.2.4

blind riveter

power tool for installing fasteners with breakstems

4 Safety requirements and/or protective measures

4.1 General

The machine shall comply with the following safety requirements and/or protective measures and be verified in accordance with Clause 5. In addition, the machine shall be designed in accordance with the principles of ISO 12100 for relevant, but not necessarily significant, hazards, which are not dealt with by this part of ISO 11148.

The measures adopted to comply with the requirements of Clause 4 shall take account of the state-of-the-art.

It is recognized that optimizing the design with respect to some safety measures can result in a degradation of performance against other safety requirements. In such cases, it is required to strike a balance between the various requirements in order to achieve an assembly power tool for non-threaded mechanical fastener design that satisfies each requirement, so far as is reasonably practicable, and remains fit for purpose.

4.2 Mechanical safety

4.2.1 Surfaces, edges and corners

Accessible parts of assembly power tools for non-threaded mechanical fasteners, except the inserted tool, shall not have sharp edges or angles or rough or abrasive surfaces; see ISO 12100:2010, 6.2.2.1.

4.2.2 Supporting surface and stability

Assembly power tools for non-threaded mechanical fasteners shall be so designed that they can be laid aside and remain in a stable position on a plane surface.

4.2.3 Collection of ejected stems

Bottles and/or deflectors shall be fitted to the rear of blind riveters and break stem lockbolt tools to either collect or deflect stems in such a way that their forcible ejection does not cause operator injury.

4.2.4 Hydraulic fluid ejection

Hydraulic systems of the assembly power tool for non-threaded mechanical fasteners shall be enclosed so as to provide protection from high-pressure fluid ejection.

4.2.5 Power tool construction

The assembly power tool for non-threaded mechanical fasteners shall be so designed and constructed as to prevent the loosening or loss of components during expected use, including rough handling and occasional dropping, which can compromise its safety functions. Verification shall be carried out in accordance with 5.5.

4.3 Thermal safety

Surface temperatures of parts of the assembly power tool for non-threaded mechanical fasteners which are held during use or that can be inadvertently touched shall follow the provisions of ISO 13732-1 and ISO 13732-3.

Pneumatic tools shall be designed to minimize the cooling effects of exhaust air on the handles and other gripping zones.

4.4 Noise reduction

The assembly power tool for non-threaded mechanical fasteners shall be designed and constructed so that the emission of noise is reduced to the lowest level, taking account of technical progress and the availability of means of reducing noise, in particular at source. Principles for designing power tools with reduced noise emission are contained in ISO/TR 11688-1 and ISO/TR 11688-2.

The noise emission from using power tools has three main sources:

- the assembly power tool for non-threaded mechanical fasteners itself;
- the inserted tool;
- the workpiece.

NOTE Generally, the noise emitted due to the characteristics of the workpiece cannot be controlled directly by the manufacturer of the assembly power tool for non-threaded mechanical fasteners.

ISO 11148-1:2011(E)

Typical sources of noise emitted by the assembly power tool for non-threaded mechanical fasteners itself are

- a) the motor and drive mechanism,
- b) the exhaust air or gases, and
- c) vibration or impact-induced noise.

Where the exhaust air or gases are the major contributor to the noise, means to reduce the noise, for example a silencer or equivalent means, shall be included in the design.

Alternatively, where practicable, the exhaust air or gases may be piped away from the operator in a hose.

Vibration-induced noise can often be reduced by vibration isolation and damping.

This list is not exhaustive; where alternative technical measures for noise reduction, with greater efficiency, are available, they should be used by the manufacturer.

4.5 Vibration

The assembly power tool for non-threaded mechanical fasteners shall be designed and constructed so that the vibration is reduced to the lowest level at the handles and at any other parts of the tool in contact with the operator's hands, taking account of technical progress and the availability of means of reducing vibration, in particular at source. Principles for designing assembly power tools for non-threaded mechanical fasteners with reduced vibration emission are contained in CR 1030-1.

Typical sources of vibration emitted by an assembly power tool for non-threaded mechanical fasteners are

- impacts,
- poorly designed motors, and
- resonances in the structure of the machine, particularly the handles and their mounts.

The following design features have been found to be effective and should be considered by manufacturers when designing assembly power tools for non-threaded mechanical fasteners:

- a) reaction masses and springs;
- b) increasing inertia;
- c) isolated casing or handles.

This list is not exhaustive; where alternative technical measures for vibration reduction, with greater efficiency, are available, they should be used by the manufacturer.

4.6 Materials and substances processed, used or exhausted

4.6.1 Exhaust air or gas

Assembly power tools for non-threaded mechanical fasteners driven with compressed air or gas shall be designed in such a way that exhaust air or gases are directed so as not to cause a hazard to the operator and so that any other effects, such as blowing dust and reflected air or gas from the workpiece on to the operator, are minimized.

4.6.2 Lubricants

When specifying lubricants, the manufacturer shall take environmental and occupational health aspects into account.

4.7 Ergonomics

4.7.1 Design of the handle

Gripping areas of the assembly power tools for non-threaded mechanical fasteners shall be designed to provide convenient, effective means for the operator to exercise full control over the assembly power tool for non-threaded mechanical fasteners.

Handles and other parts used for gripping the assembly power tool for non-threaded mechanical fasteners shall be designed to ensure that the operator is able to grip the assembly power tool for non-threaded mechanical fasteners correctly and to perform the expected work. Handles shall suit the functional anatomy of the hand and the dimensions of the hands of the operator population.

NOTE Further guidance on ergonomic design principles can be found in EN 614-1.

Assembly power tools for non-threaded mechanical fasteners having a mass greater than 2 kg (including the inserted tool) shall be capable of being supported by two hands whilst being lifted or operated.

The grip shall be such that normal feed force and reaction torque can be transmitted in an ergonomic way from the hand of the operator to the assembly power tool for non-threaded mechanical fasteners.

4.7.2 Suspension device

Provision shall be made, where appropriate, to enable the attachment of a suspension device to the assembly power tool for non-threaded mechanical fasteners in order to reduce, where practicable, the physical strain placed on the operator by the weight of the assembly power tool for non-threaded mechanical fasteners. The fitting of a suspension device shall not introduce an additional hazard.

4.8 Controls

4.8.1 Start-and-stop device

Assembly power tools for non-threaded mechanical fasteners shall be equipped with a single control device to start and/or stop them. It shall be adapted to the handle or to the part of the assembly power tool for non-threaded mechanical fasteners being gripped, so that it can be held comfortably in the run position, and so that the operator can activate it without releasing the grip on the handles.

Start-and-stop devices shall be so designed that the inserted tool ceases to be powered when the start-and-stop device is released. Without manual effort and when completely released, the device shall move to the stop position, i.e. shall be of the hold-to-run type.

Start-and-stop devices shall be in the stop position or immediately move to the stop position when the assembly power tool for non-threaded fasteners is connected to the energy supply.

It shall not be possible to lock the start-and-stop device in the running position.

4.8.2 Unintentional start

The start-and-stop device shall be so designed, positioned or guarded that the risk of unintentional start is minimized. Verification shall be carried out in accordance with 5.4.

4.8.3 Actuating forces

For assembly power tools for non-threaded mechanical fasteners that are intended for frequent starts or for use with precision work, the actuating force shall be small.

NOTE For further information on trigger forces for control devices, see EN 894-3.

5 Verification

5.1 General conditions for the tests

Tests according to this part of ISO 11148 are type tests.

5.2 Noise

The noise-emission values shall be measured and declared in accordance with ISO 15744.

Compliance with 4.4 may be verified through the comparison of the noise-emission values with those for other machines of the same family or with machines of similar size and performance characteristics.

5.3 Vibration

The vibration total value shall be measured and reported in accordance with ISO 20643.

The vibration-emission value and its uncertainty shall be declared in accordance with EN 12096.

Compliance with 4.5 may be verified through the comparison of the vibration-emission values with those for other machines of the same family or with machines of similar size and performance characteristics.

5.4 Unintentional start

Compliance with 4.8.2 shall be verified as follows.

The assembly power tool for non-threaded mechanical fasteners shall be connected to the energy supply and placed and maintained in any position and pulled over the horizontal plane by its hose.

Operation of the start-and-stop device shall not occur.

5.5 Power tool construction

Compliance with 4.2.5 shall be verified by dropping a sample assembly power tool for non-threaded mechanical fasteners three times on to a concrete surface from a height of 1 m without affecting its operational and safety functions. The sample shall be positioned so as to vary the point of impact.

5.6 Structure of verification

The verification shall be carried out in conformity with Table 1.

Table 1 — Structure of verification

Safety requirement	Visual check	Functional check	Measurement	Reference [to the subclause(s) of this part of ISO 11148 or other International Standard]
4.2.1 Surfaces, edges and corners	X	—	—	—
4.2.2 Supporting surface and stability	X	X	—	—
4.2.3 Collection of ejected stems	X	X	—	—
4.2.4 Hydraulic fluid ejection	X	—	—	—
4.2.5 Power tool construction	—	X	—	5.5
4.3 Thermal safety	—	X	X	ISO 13732-1, ISO 13732-3
4.4 Noise reduction	—	—	X	ISO 15744 5.2
4.5 Vibration	—	—	X	ISO 20643 5.3
4.6.1 Exhaust air or gas	—	X	—	—
4.7.1 Design of the handle	X	—	—	—
4.7.2 Suspension device	X	X	—	—
4.8.1 Start-and-stop device	—	X	—	—
4.8.2 Unintentional start	X	X	—	5.4
4.8.3 Actuating forces	X	X	—	—

6 Information for use

6.1 Marking, signs and written warnings

Assembly power tools for non-threaded fasteners shall be marked visibly, legibly and indelibly with the following information:

- name and full address of the manufacturer and, where applicable, his/her authorized representative;

NOTE 1 The address can be simplified if there is not really enough room on small machines, as long as the manufacturer (and, where applicable, his/her authorized representative) can always be identified so that mail is able to reach the company.

- designation of series or type;

NOTE 2 The designation of the tool can be achieved by using a combination of letters and numbers.

- serial number or batch number;
- year of construction, that is the year in which the manufacturing process is completed;
- for pneumatic assembly power tools for non-threaded mechanical fasteners:
 - the rated air pressure marked as (max.);
- for hydraulic assembly power tools for non-threaded mechanical fasteners:
 - the nominal pressure and flow;
 - the maximum allowable setting for the pressure relief valve.

Assembly power tools for non-threaded mechanical fasteners shall be permanently marked with a graphical symbol in accordance with Annex C showing that the operator's instructions shall be read before work starts.

6.2 Instruction handbook

6.2.1 General

For the information to be provided to the user, the content of Clause 6 together with ISO 12100:2010, 6.4.5.2 and 6.4.5.3, apply.

The information provided by the manufacturer is an important, but not exclusive, basis for safe use of the tool. It shall provide sufficient information for the end user to perform an initial risk assessment.

The hazards identified in 6.2.2.4 to 6.2.2.11 are foreseeable in the general use of hand-held assembly power tools for non-threaded mechanical fasteners. The information provided with the tool shall state that the user or the user's employer shall assess the specific risks that can be present as a result of each use.

The instruction handbook shall contain information relating to at least the following:

- name and address of the manufacturer or supplier or any other agent responsible for placing the assembly power tool for non-threaded mechanical fasteners on the market;
- designation of the series or type;
- operating instructions; see 6.3;
- information on noise emission; see 6.4.2;
- information on the vibration transmitted to the hands of the operator; see 6.4.3;
- maintenance instructions; see 6.5;
- explanations of any symbols marked on the assembly power tool for non-threaded mechanical fasteners; see Annex C;
- information about residual risks and how to control them.

6.2.2 Operator's instructions

6.2.2.1 General

The instructions and warnings stated in 6.2.2 to 6.2.4 shall be given with all assembly power tools for non-threaded mechanical fasteners unless the risk assessment shows that they are not relevant to a particular assembly power tool. Words of equivalent meaning may be used.

6.2.2.2 Statement of use

The operator's instructions shall include a description of the correct use of the assembly power tool for non-threaded mechanical fasteners and shall make reference to the appropriate inserted tools. The operator's instructions shall state that any other use is forbidden. Foreseeable misuse of the assembly power tool for non-threaded mechanical fasteners, which experience has shown can occur, shall be warned against.

6.2.2.3 Allowance for user

The operator's instructions shall be written primarily for professional users. Where a tool may be used by non-professional users, additional information for use shall be provided.

6.2.2.4 General safety rules

- For multiple hazards, read and understand the safety instructions before installing, operating, repairing, maintaining, changing accessories on, or working near the assembly power tool for non-threaded mechanical fasteners. Failure to do so can result in serious bodily injury.
- Only qualified and trained operators should install, adjust or use the assembly power tool for non-threaded mechanical fasteners.
- Do not modify this assembly power tool for non-threaded mechanical fasteners. Modifications can reduce the effectiveness of safety measures and increase the risks to the operator.
- Do not discard the safety instructions; give them to the operator.
- Do not use the assembly power tool for non-threaded mechanical fasteners if it has been damaged.
- Tools shall be inspected periodically to verify that the ratings and markings required by this part of ISO 11148 are legibly marked on the tool. The employer/user shall contact the manufacturer to obtain replacement marking labels when necessary.

6.2.2.5 Projectile hazards

- Disconnect the assembly power tool for non-threaded mechanical fasteners from the energy source when changing inserted tools or accessories.
- Be aware that failure of the workpiece or accessories, or even of the inserted tool itself can generate high-velocity projectiles.
- Always wear impact-resistant eye protection during operation of the tool. The grade of protection required should be assessed for each use.
- The risks to others should also be assessed at this time.
- Ensure that the workpiece is securely fixed.
- Check that the means of protection from ejection of fastener and/or stem is in place and is operative.
- Warn against the possible forcible ejection of installation mandrels from the front of the assembly power tool for non-threaded mechanical fasteners.

6.2.2.6 Operating hazards

- Use of the tool can expose the operator's hands to hazards, including crushing, impacts, cuts and abrasions and heat. Wear suitable gloves to protect hands.
- Operators and maintenance personnel shall be physically able to handle the bulk, weight and power of the tool.
- Hold the tool correctly; be ready to counteract normal or sudden movements and have both hands available.
- Maintain a balanced body position and secure footing.
- Release the start-and-stop device in the case of an interruption of the energy supply.
- Use only lubricants recommended by the manufacturer.

- Avoid unsuitable postures as it is likely for these positions not to allow counteracting of normal or unexpected movement of the tool.
- If the assembly power tool for non-threaded mechanical fasteners is fixed to a suspension device, make sure that the fixation is secure.
- Beware of the risk of crushing or pinching if nose equipment is not fitted.

6.2.2.7 Repetitive motions hazards

- When using an assembly power tool for non-threaded mechanical fasteners, the operator can experience discomfort in the hands, arms, shoulders, neck or other parts of the body.
- While using an assembly power tool for non-threaded mechanical fasteners, the operator should adopt a comfortable posture whilst maintaining a secure footing and avoiding awkward or off-balance postures. The operator should change posture during extended tasks; this can help avoid discomfort and fatigue.
- If the operator experiences symptoms such as persistent or recurring discomfort, pain, throbbing, aching, tingling, numbness, burning sensations or stiffness, these warning signs should not be ignored. The operator should tell the employer and consult a qualified health professional.

6.2.2.8 Accessory hazards

- Disconnect the assembly power tool for non-threaded mechanical fasteners from the energy supply before changing the inserted tool or accessory.
- Use only sizes and types of accessories and consumables that are recommended by the manufacturer of assembly power tools for non-threaded mechanical fasteners; do not use other types or sizes of accessories or consumables.

6.2.2.9 Workplace hazards

- Slips, trips and falls are major causes of workplace injury. Be aware of slippery surfaces caused by use of the tool and also of trip hazards caused by the air line or hydraulic hose.
- Proceed with care in unfamiliar surroundings. There can be hidden hazards, such as electricity or other utility lines.
- The assembly power tool for non-threaded mechanical fasteners is not intended for use in potentially explosive atmospheres and is not insulated against contact with electric power.
- Ensure that there are no electrical cables, gas pipes, etc., which can cause a hazard if damaged by use of the tool.

6.2.2.10 Noise hazards

- Exposure to high noise levels can cause permanent, disabling hearing loss and other problems, such as tinnitus (ringing, buzzing, whistling or humming in the ears). Therefore, risk assessment and the implementation of appropriate controls for these hazards are essential.
- Appropriate controls to reduce the risk may include actions such as damping materials to prevent workpieces from “ringing”.
- Use hearing protection in accordance with employer's instructions and as required by occupational health and safety regulations.

- Operate and maintain the assembly power tool for non-threaded mechanical fasteners as recommended in the instruction handbook, to prevent an unnecessary increase in the noise level.
- Select, maintain and replace the consumable/inserted tool as recommended in the instruction handbook, to prevent an unnecessary increase in noise.
- If the power tool has a silencer, always ensure that it is in place and in good working order when the power tool is being operated.

6.2.2.11 Vibration hazards

The information for use shall draw attention to vibration hazards that have not been eliminated by design and construction and remain as residual vibration risks. It shall enable employers to identify the circumstances in which the operator is likely to be at risk from vibration exposure. If the vibration-emission value obtained using ISO 20643 does not adequately represent the vibration emission in the intended uses (and foreseeable misuses) of the machine, additional information and/or warnings shall be supplied to enable the risks arising from vibration to be assessed and managed.

- Exposure to vibration can cause disabling damage to the nerves and blood supply of the hands and arms.
- Wear warm clothing when working in cold conditions and keep your hands warm and dry.
- If you experience numbness, tingling, pain or whitening of the skin in your fingers or hands, stop using the assembly power tool for non-threaded mechanical fasteners, tell your employer and consult a physician.
- Support the weight of the tool in a stand, tensioner or balancer, because a lighter grip can then be used to support the tool.

6.2.3 Additional safety instructions for pneumatic power tools

- Air under pressure can cause severe injury:
 - always shut off air supply, drain hose of air pressure and disconnect tool from air supply when not in use, before changing accessories or when making repairs;
 - never direct air at yourself or anyone else.
- Whipping hoses can cause severe injury. Always check for damaged or loose hoses and fittings.
- Cold air shall be directed away from hands.
- Whenever universal twist couplings (claw couplings) are used, lock pins shall be installed and whipcheck safety cables shall be used to safeguard against possible hose-to-tool or hose-to-hose connection failure.
- Do not exceed the maximum air pressure stated on the tool.
- Never carry an air tool by the hose.

6.2.4 Additional safety instructions for hydraulic power tools

- Do not exceed the maximum relief-valve setting stated on the tool.
- Carry out a daily check for damaged or worn hoses or hydraulic connections and replace if necessary.
- Use only clean oil and filling equipment.
- Power units require a free flow of air for cooling purposes and should therefore be positioned in a well-ventilated area free from hazardous fumes.

- Ensure that couplings are clean and correctly engaged before operation.
- Do not inspect or clean the tool while the hydraulic power source is connected. Accidental engagement of the tool can cause serious injury.
- Do not install or remove the tool while the hydraulic power source is connected. Accidental engagement of the tool can cause serious injury.
- Be sure all hose connections are tight.
- Wipe all couplers clean before connecting. Failure to do so can result in damage to the quick couplers and cause overheating.

Instructions shall be given that only hydraulic fluid recommended by the manufacturer shall be used.

NOTE It is advisable to enquire of the manufacturer whether or not non-flammable fluids can be used.

6.2.5 Specific safety instructions

Warnings shall be given about any specific or unusual hazards associated with the use of the assembly power tool for non-threaded mechanical fasteners. Such warnings shall indicate the nature of the hazard, the risk of injury and the avoidance action to take.

6.3 Operating instructions

The instructions shall include, where appropriate:

- instructions for setting up or fixing the assembly power tool for non-threaded mechanical fasteners in a stable position as appropriate for assembly power tools for non-threaded mechanical fasteners which can be mounted in a support;
- assembly instructions, including recommended guards, accessories and inserted tools;
- an illustrated description of functions;
- limitations on tool use due to environmental conditions;
- instructions for setting and testing;
- general instructions for use, including changing inserted tools and limits on the size and type of workpiece.

6.4 Data

6.4.1 General

The instructions shall include the information on the data plate and the following:

- mass of the assembly power tool for non-threaded mechanical fasteners;
- for hydraulic assembly power tools for non-threaded mechanical fasteners:
 - specification of the coupling;
 - specification of hoses with regard to pressure and flow;
 - maximum inlet temperature of the inlet fluid.

6.4.2 Noise

6.4.2.1 Declaration of emission

The instructions shall include a noise-emission declaration in accordance with ISO 15744.

6.4.2.2 Additional information

If the values for noise emissions obtained using the appropriate tests defined in 5.2 do not adequately represent the emissions during the intended uses of the machine, additional information and/or warnings shall be supplied to enable an assessment and the management of the associated risks.

Information on noise emission should also be provided in the sales literature.

6.4.3 Vibration

6.4.3.1 Declaration of emission

The instructions shall include the vibration-emission value and uncertainty as specified in 5.3 and the reference number of the test code in accordance with ISO 20643.

6.4.3.2 Additional information

If the vibration-emission values obtained using the appropriate tests defined in 5.3 do not adequately represent the emissions during the intended uses of the machine, additional information and/or warnings shall be supplied to enable an assessment and the management of the associated risks.

Information on vibration emission should also be provided in the sales literature.

6.5 Maintenance instructions

The maintenance instructions shall contain

- instructions to keep the assembly power tools for non-threaded mechanical fasteners safe by regular preventative maintenance,
- information on when the regular preventative maintenance shall be carried out, for instance after a specified time of operation, a specified number of cycles/operations or a stated number of times per year,
- instructions for disposal so as not to expose personnel and the environment to hazards,
- a list of the service operations that the user should carry out, and
- instructions for lubrication, if required.

Maintenance instructions shall include precautions to take in order to avoid exposure to hazardous substances deposited (due to work processes) on the tool.

Annex A (informative)

List of significant hazards

This annex contains all the significant hazards, hazardous situations and events, as far as they are dealt with in this part of ISO 11148, identified by risk assessment as significant for this type of machinery and which require action to eliminate or reduce the risk. The following significant hazards can occur in the use of assembly power tools for non-threaded mechanical fasteners.

Table A.1 — List of significant hazards

Hazard type	Reference to safety requirement	
	By design or guarding	Information for use
1 Mechanical hazards: — cutting — drawing in or trapping (caused by hair, clothing, etc. getting entangled in a rotating power tool) — friction or abrasion hazard — whipping hose — ejection from high-pressure hydraulic systems — ejection of parts — loss of stability — hose and hose coupling specifications	4.2.1 4.2.1 4.2.4, 4.2.5 4.2.3 4.2.2	6.2.2.5, 6.2.2.8
2 Electrical hazards		6.2.2.9
3 Thermal hazards: — explosions — health damage due to hot or cold surfaces	4.3	
4 Hazards caused by noise	4.4	6.2.2.10
5 Hazards generated by vibration	4.5	6.2.2.11
6 Hazards generated by materials and substances processed, used or exhausted: — exhaust air — lubricants — hydraulic fluid	4.6.1 4.6.2 4.2.4	6.2.4
7 Hazards caused by neglecting ergonomic principles: — repetitive strain injuries — unsuitable postures — inadequate grip design and tool balance — neglected use of personal protection equipment	4.7.1 4.2.4	6.2.2.7 6.2.2.6 6.2.2.5
8 Hazards caused by failure of energy supply: — unexpected return of energy supply after a breakdown — incorrect hydraulic fluid flow and outlet pressure		6.2.2.6, 6.2.3 6.2.4
9 Hazards caused by missing and/or incorrectly positioned safety-related means: — start-and-stop device — unintentional start	4.8.1 4.8.2	6.2.2.6

Annex B
(informative)

Examples of assembly power tools for non-threaded mechanical fasteners covered by this part of ISO 11148

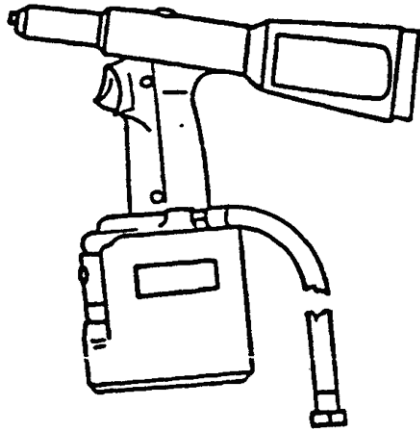


Figure B.1 — Assembly tool for non-threaded fasteners

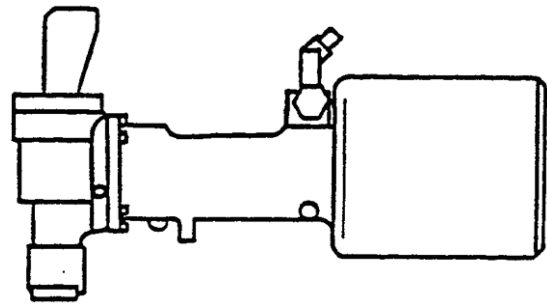


Figure B.2 — Breakstem lockbolt tool

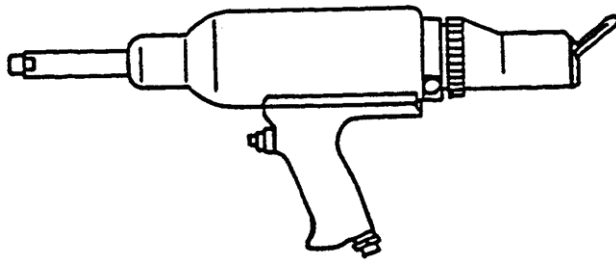


Figure B.3 — Mandrel loaded riveting tool

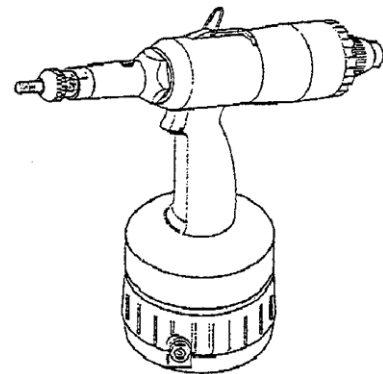



Figure B.4 — Rivet nut setter

Annex C
(normative)

Symbols for labels and signs

Table C.1 — Symbols for labels and signs

No.	Symbol	Significance	Colours	Symbol registration number or source
C.1.1		<p>Warning</p> <p>Minimum requirement. This symbol is normative. Additional symbols and/or text are informative.</p>	<p>Background in the circle: blue</p> <p>Symbol: white</p> <p>Background for warning: orange</p>	<p>ISO 3864-2</p> <p>Application of ISO 7010-M002</p>

Bibliography

NOTE The documents listed are not referred to as normative in the text of this part of ISO 11148; however, they have a bearing on the specifications and are listed for information. This is not an exhaustive list.

- [1] ISO 2787, *Rotary and percussive pneumatic tools — Performance tests*
- [2] ISO 3857-1, *Compressors, pneumatic tools and machines — Vocabulary — Part 1: General*
- [3] ISO 3864-2, *Graphical symbols — Safety colours and safety signs — Part 2: Design principles for product safety labels*
- [4] ISO 3864-4, *Graphical symbols — Safety colours and safety signs — Part 4: Colorimetric and photometric properties of safety sign materials*
- [5] ISO 4871, *Acoustics — Declaration and verification of noise emission values of machinery and equipment*
- [6] ISO 7010, *Graphical symbols — Safety colours and safety signs — Registered safety signs*
- [7] ISO/TR 11688-1, *Acoustics — Recommended practice for the design of low-noise machinery and equipment — Part 1: Planning*
- [8] ISO/TR 11688-2, *Acoustics — Recommended practice for the design of low-noise machinery and equipment — Part 2: Introduction to the physics of low-noise design*
- [9] ISO 11690 (all parts), *Acoustics — Recommended practice for the design of low-noise workplaces containing machinery*
- [10] ISO 14163, *Acoustics — Guidelines for noise control by silencers*
- [11] EN 614-1, *Safety of machinery — Ergonomic design principles — Part 1: Terminology and general principles*
- [12] EN 626 (all parts), *Safety of machinery — Reduction of risks to health from hazardous substances emitted by machinery*
- [13] EN 894-3, *Safety of machinery — Ergonomics requirements for the design of displays and control actuators — Part 3: Control actuators*
- [14] EN 982, *Safety of machinery — Safety requirements for fluid power systems and their components — Hydraulics*
- [15] EN 983, *Safety of machinery — Safety requirements for fluid power systems and their components — Pneumatics*
- [16] EN 13463-1, *Non-electrical equipment for use in potentially explosive atmospheres — Part 1: Basic method and requirements*
- [17] EN 61310-1, *Safety of machinery — Indication, marking and actuation — Part 1: Requirements for visual, acoustic and tactile signals*
- [18] EN 61310-2, *Safety of machinery — Indication, marking and actuation — Part 2: Requirements for marking*
- [19] CR 1030-1, *Hand-arm vibration — Guidelines for vibration hazards reduction — Part 1: Engineering methods by design of machinery*

- [20] EHTMA, *Recommendations for the correct use of hand-held or portable hydraulic tools and associated portable power sources*, June 1991¹⁾

1) European Hydraulic Tool Manufacturers' Association (EHTMA) publications can be obtained from: www.ehtma.com or secretary@ehtma.org.

11148-1:2011(E)

ICS 25.140.10

Price based on 20 pages