



INTERNATIONAL STANDARD ISO 11093-8:2012
TECHNICAL CORRIGENDUM 1

Published 2013-02-01

INTERNATIONAL ORGANIZATION FOR STANDARDIZATION • МЕЖДУНАРОДНАЯ ОРГАНИЗАЦИЯ ПО СТАНДАРТИЗАЦИИ • ORGANISATION INTERNATIONALE DE NORMALISATION

Paper and board — Testing of cores —

Part 8:

Determination of natural frequency and flexural modulus by experimental modal analysis

TECHNICAL CORRIGENDUM 1

Papier et carton — Essais des mandrins —

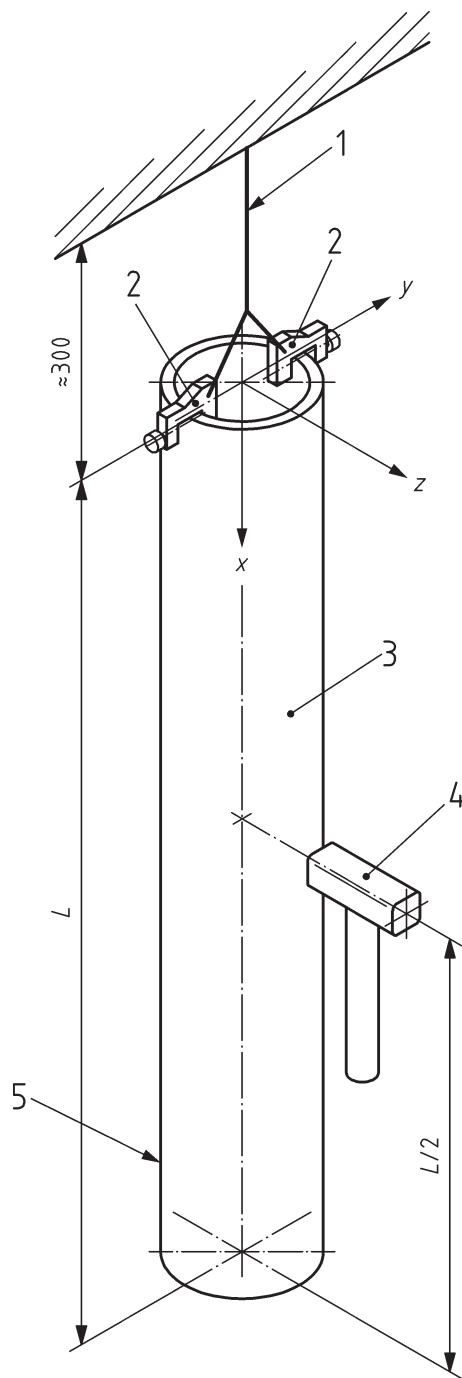
Partie 8: Détermination de la fréquence propre et du module de flexion par analyse modale expérimentale

RECTIFICATIF TECHNIQUE 1

Technical Corrigendum 1 to ISO 11093-8:2012 was prepared by Technical Committee ISO/TC 6, *Paper, board and pulps*.

Page 4

Replace Figure 1 with the following:



Page 5

Replace Figure 2 with the following:

