
**Test conditions for die sinking electro-
discharge machines (die sinking
EDM) — Testing of the accuracy —**

**Part 1:
Single-column machines (cross-slide
table type and fixed-table type)**

*Conditions d'essai des machines d'électroérosion en plongée (EDM en
plongée) — Contrôle de l'exactitude —*

Partie 1: Machines à un montant (à bancs en croix et table fixe)





COPYRIGHT PROTECTED DOCUMENT

© ISO 2014

All rights reserved. Unless otherwise specified, no part of this publication may be reproduced or utilized otherwise in any form or by any means, electronic or mechanical, including photocopying, or posting on the internet or an intranet, without prior written permission. Permission can be requested from either ISO at the address below or ISO's member body in the country of the requester.

ISO copyright office
Case postale 56 • CH-1211 Geneva 20
Tel. + 41 22 749 01 11
Fax + 41 22 749 09 47
E-mail copyright@iso.org
Web www.iso.org

Published in Switzerland

Contents

	Page
Foreword	iv
Introduction	v
1 Scope	1
2 Normative references	1
3 Terms and definitions	1
4 Terminology and designation of axes	2
4.1 Cross-slide table type	2
4.2 Fixed table type	3
5 Preliminary remarks	4
5.1 Measurement units	4
5.2 Reference to ISO 230-1	4
5.3 Machine levelling	4
5.4 Testing sequence	4
5.5 Tests to be performed	4
5.6 Measuring instruments	5
5.7 Software compensation	5
5.8 Minimum tolerance	5
5.9 Machining test	5
5.10 Positioning tests and reference to ISO 230-2	5
6 Geometric tests	6
6.1 Linear axes of motion	6
6.2 Table	13
6.3 Head, quill and spindle	15
7 Positioning tests for numerically controlled axes	18
8 Machining test	21
Annex A (informative) Equivalent terms in Dutch, German, Italian, Swedish, Persian, and Japanese	23
Bibliography	25

Foreword

ISO (the International Organization for Standardization) is a worldwide federation of national standards bodies (ISO member bodies). The work of preparing International Standards is normally carried out through ISO technical committees. Each member body interested in a subject for which a technical committee has been established has the right to be represented on that committee. International organizations, governmental and non-governmental, in liaison with ISO, also take part in the work. ISO collaborates closely with the International Electrotechnical Commission (IEC) on all matters of electrotechnical standardization.

The procedures used to develop this document and those intended for its further maintenance are described in the ISO/IEC Directives, Part 1. In particular the different approval criteria needed for the different types of ISO documents should be noted. This document was drafted in accordance with the editorial rules of the ISO/IEC Directives, Part 2 (see www.iso.org/directives).

Attention is drawn to the possibility that some of the elements of this document may be the subject of patent rights. ISO shall not be held responsible for identifying any or all such patent rights. Details of any patent rights identified during the development of the document will be in the Introduction and/or on the ISO list of patent declarations received (see www.iso.org/patents).

Any trade name used in this document is information given for the convenience of users and does not constitute an endorsement.

For an explanation on the meaning of ISO specific terms and expressions related to conformity assessment, as well as information about ISO's adherence to the WTO principles in the Technical Barriers to Trade (TBT), see the following URL: [Foreword — Supplementary information](#).

The committee responsible for this document is ISO/TC 39, *Machine tools*, Subcommittee SC 2, *Test conditions for metal cutting machine tools*.

This second edition cancels and replaces the first edition (ISO 11090-1:1998), which has been technically revised.

ISO 11090 consists of the following parts, under the general title *Test conditions for die sinking electro-discharge machines (die sinking EDM) — Testing of the accuracy*:

- *Part 1: Single-column machines (cross-slide table type and fixed table type)*
- *Part 2: Double-column machines (slide-head type)*

Introduction

The purpose of this part of ISO 11090 is to standardize methods of testing normal accuracy and general-purpose die sinking electro-discharge machines (die sinking EDM).

In this part of ISO 11090, the tolerances for G1, G2, G3, G4, G5, G14, P1, P2, P3, and P4 have been changed from those in ISO 11090-1:1998. The following tests in ISO 11090-1:1998 are deleted due to the limited availability of the reference T-slot in typical machines in today's market: G9 (Checking of straightness of the reference T-slot or reference surface of the table) and G10 (Checking of parallelism between the reference T-slot or reference surface of the table and the x-axis motion).

Test conditions for die sinking electro-discharge machines (die sinking EDM) — Testing of the accuracy —

Part 1: Single-column machines (cross-slide table type and fixed-table type)

1 Scope

This part of ISO 11090 specifies, with reference to ISO 230-1 and ISO 230-2, geometric and machining tests and tests for checking accuracy and repeatability of numerically controlled positioning axes for normal accuracy and general-purpose die sinking electro-discharge machines (die sinking EDM). It also specifies the applicable tolerances corresponding to the above-mentioned tests.

This part of ISO 11090 is also applicable to single-column machines of cross-slide table type and fixed table type.

This part of ISO 11090 deals only with the verification of accuracy of the machine. It does not apply to the testing of the machine operation (vibrations, abnormal noises, stick-slip motion of components, etc.) or to the checking of its characteristics (such as speeds, feeds, etc.), which should generally be checked before the testing of the accuracy.

This part of ISO 11090 provides the terminology used for the principal components of the machine and the designation of the axes with reference to ISO 841:2001.

NOTE In addition to the terms used in the official ISO languages (English and French), [Annex A](#) of this part of ISO 11090 gives the equivalent terms in the Dutch, German, Italian, Swedish, Persian, and Japanese languages. These are published under the responsibility of the national member bodies for Netherlands (NEN), Germany (DIN), Italy (UNI), Sweden (SIS), Iran (ISIRI), and Japan (JISC). However, only the terms given in the official languages can be considered as ISO terms.

2 Normative references

The following referenced documents, in whole or in part, are normatively referenced in this document and are indispensable for the application of this document. For dated references, only the edition cited applies. For undated references, the latest edition of the referenced document (including any amendments) applies.

ISO 230-1:2012, *Test code for machine tools — Part 1: Geometric accuracy of machines operating under no-load or quasi-static conditions*

ISO 230-2:2014, *Test code for machine tools — Part 2: Determination of accuracy and repeatability of positioning of numerically controlled axes*

3 Terms and definitions

For the purposes of this document, the following terms and definitions apply

3.1 electro-discharge machines

machine tools for the removal of material in dielectric fluid by electro-discharges which are separated in time and randomly distributed in space between two electrically conductive electrodes (the tool electrode and the workpiece electrode) and where the energy in the discharge is controlled

3.2 die sinking electro-discharge machines

machine tools for the removal of material by electro-discharge machining through the application of a tool electrode whose geometry matches (defines) the desired shape of the workpiece feature

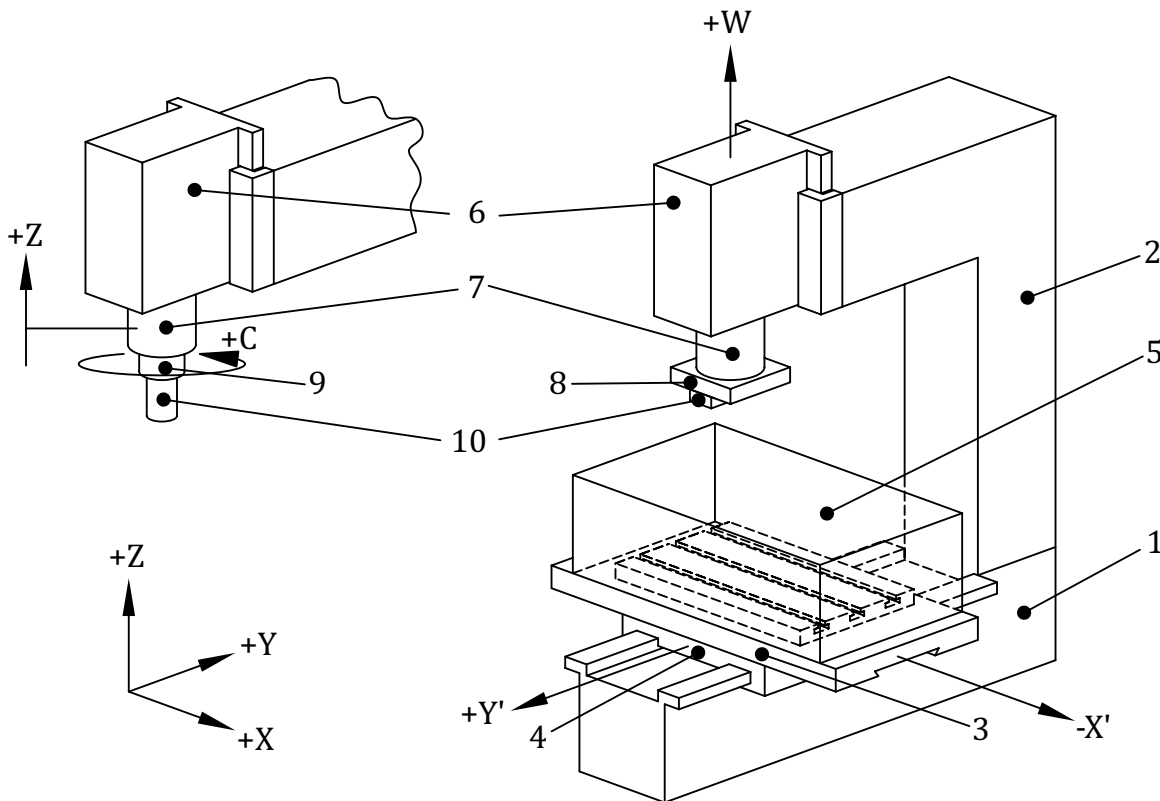
3.3 wire electro-discharge machines

machine tools for the removal of material by electro-discharge machining through the application of a wire electrode to produce prismatic and more complex shapes in a workpiece

4 Terminology and designation of axes

4.1 Cross-slide table type

See [Figure 1](#) and [Table 1](#).



NOTE See keys in [Table 1](#).

Figure 1 — Single-column machine with cross-slide table

Table 1 — Keys for [Figure 1](#)

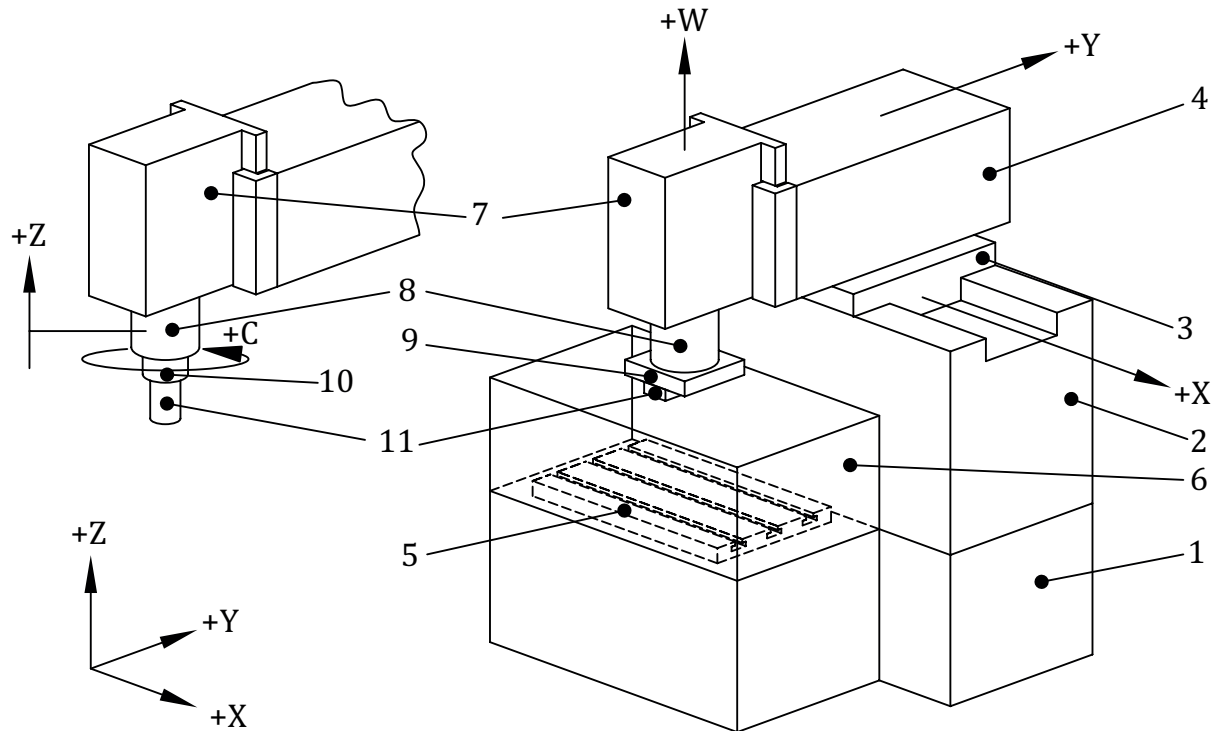
Key	English	French
1	bed	banc

Table 1 (continued)

Key	English	French
2	column	montant
3	table (X-axis)	table (axe X)
4	saddle (Y-axis)	chariot transversal (axe Y)
5	work tank	réservoir de travail
6	head (W-axis)	tête de travail (axe W)
7	quill (Z-axis)	coulisse (axe Z)
8	electrode platen	porte-électrode
9	spindle (C-axis)	broche (axe C)
10	electrode	electrode

4.2 Fixed table type

See Figure 2 and Table 2.



NOTE See keys in Table 2.

Figure 2 — Single-column machine with fixed table

Table 2 — Keys for Figure 2

Key	English	French
1	bed	banc
2	column	montant
3	saddle (X-axis)	chariot longitudinal (axe X)

Table 2 (continued)

Key	English	French
4	ram (Y-axis)	coulant (axe Y)
5	table	table
6	work tank	réservoir de travail
7	head (W-axis)	tête de travail (axe W)
8	quill (Z-axis)	coulisse (axe Z)
9	electrode platen	porte-électrode
10	spindle (C-axis)	broche (axe C)
11	electrode	electrode

5 Preliminary remarks

5.1 Measurement units

In this part of ISO 11090, all linear dimensions, deviations, and corresponding tolerances are expressed in millimetres, angular dimensions are expressed in degrees, and angular deviations and the corresponding tolerances are expressed primarily in ratios, but in some cases, microradians or arcseconds can be used for clarification purposes. The following expression should be used for the conversion of angular deviations or tolerances:

$$0,010/1\,000 = 10 \times 10^{-6} = 10 \mu\text{rad} \cong 2'' \quad (1)$$

5.2 Reference to ISO 230-1

For the application of this part of ISO 11090, reference shall be made to ISO 230-1 especially for the installation of the machine before testing, warming up of the spindle and other moving parts, the description of measuring methods, and recommended accuracy of testing equipment.

In the "Observations" block of the tests described in [Clauses 6, 7, and 8](#), the instructions are preceded by a reference to the corresponding clause/subclause in ISO 230-1 in cases where the test concerned is in compliance with the specifications. Tolerances are given for each geometric test (see G1 to G12).

5.3 Machine levelling

Prior to conducting tests on a machine, the machine should be levelled according to the recommendations of the manufacturer/supplier (see ISO 230-1:2012, 6.1.2).

5.4 Testing sequence

The sequence in which the geometric tests are given in no way defines the practical order of testing. In order to make the mounting of instruments or gauging easier, the tests may be performed in any order.

5.5 Tests to be performed

When testing a machine tool, it is not always necessary or possible to carry out all the tests given in this part of ISO 11090. When the tests are required for acceptance purposes, the choice of tests relating to the components and/or the properties of the machine of interest is at the discretion of the user, in agreement with the manufacturer/supplier. The tests to be used are to be clearly stated when ordering a machine tool. A mere reference to this part of ISO 11090 for the acceptance tests, without specifying the tests to be carried out and without agreement on the relevant expenses, cannot be considered as binding for any contracting parties.

5.6 Measuring instruments

The measuring instruments indicated in the tests described in [Clauses 6](#) to [8](#) are examples only. Other instruments measuring the same quantities and having the same or smaller measurement uncertainty can be used.

5.7 Software compensation

When built-in software facilities are available for compensating geometric, positioning, contouring, and/or thermal deviations, their use during these tests shall be based on agreement between the manufacturer/supplier and the user with due consideration to the machine tool's intended use.

When the software compensation is used, this shall be stated in the test reports.

It shall be noted that when software compensation is used, axes shall not be locked for test purposes.

5.8 Minimum tolerance

When the tolerance for a geometric test is established for a measuring length different from that given in this part of ISO 11090, the tolerance can be determined by means of the law of proportionality (see ISO 230-1:2012, 4.1.2). It shall be taken into consideration that the minimum value of tolerance is 0,005 mm.

5.9 Machining test

Machining test shall be made under finishing conditions.

5.10 Positioning tests and reference to ISO 230-2

Tests P1 to P4 are applied only to numerically controlled electro-discharge machines.

To apply these tests, reference shall be made to ISO 230-2, especially for the environmental conditions, warming up of the machine, measuring methods, evaluation, and interpretation of the results.

Checking of the W-axis is not included because the W movement is used for adjusting the head position. When required, it shall be done in the same way as the checking of the Z-axis.

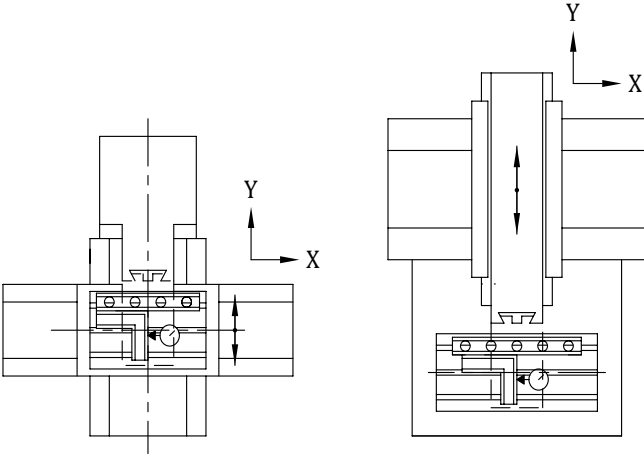
6 Geometric tests

6.1 Linear axes of motion

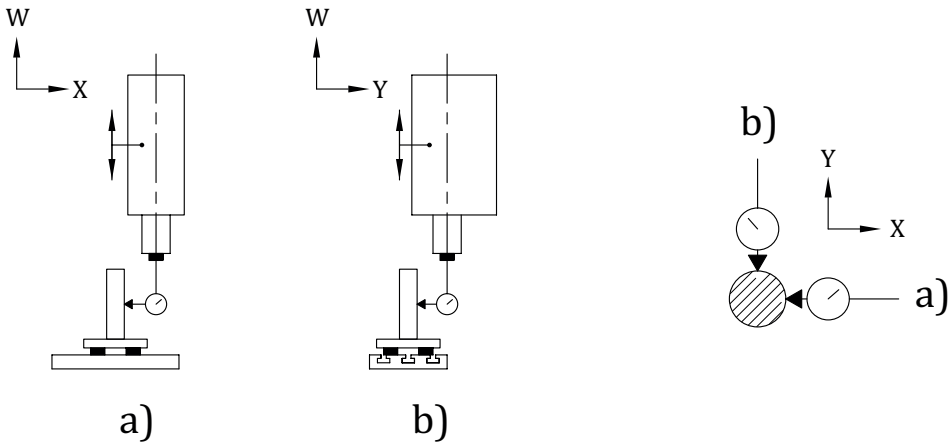
<p>Object</p> <p>Checking of straightness of the x-axis motion:</p> <p>a) in the horizontal XY plane (E_{YX});</p> <p>b) in the vertical ZX plane (E_{ZX}).</p>		G1
<p>Diagram</p> <p>The diagram consists of four sub-diagrams arranged in two pairs. The first pair (a and b) shows a linear displacement sensor mounted on the table, with a straightness reference artefact on the table. Diagram a) shows the setup for checking in the horizontal XY plane, with the Z-axis vertical and the Y-axis horizontal. Diagram b) shows the setup for checking in the vertical ZX plane, with the Z-axis vertical and the X-axis horizontal. The second pair (a and b) shows the same setups but with the linear displacement sensor mounted on the quill (head) of the machine tool. Diagram a) shows the setup for checking in the horizontal XY plane, and diagram b) shows the setup for checking in the vertical ZX plane.</p>		
<p>Tolerance</p> <p>for a) and b)</p> <p>0,010 for any measuring length of 500</p>		<p>Measured deviations</p> <p>a)</p> <p>b)</p>
<p>Measuring instruments</p> <p>Straightness reference artefact and linear displacement sensor or optical measuring instruments</p>		
<p>Observations and reference to ISO 230-1:2012, 3.4.8, 8.2.2.1, and 8.2.3</p> <p>a) Mount the linear displacement sensor on the quill (head).</p> <p>b) Set the straightness reference artefact parallel to the x-axis in the XY plane and set the linear displacement sensor against it. Feed the x-axis through the measuring length and note the readings.</p> <p>c) Repeat the check in the same way in the ZX plane.</p>		

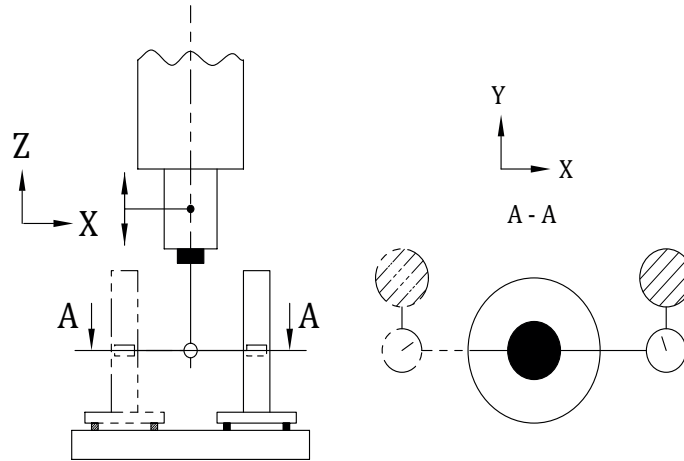
<p>Object</p> <p>Checking of straightness of the y-axis motion:</p> <p>a) in the horizontal XY plane (E_{XY});</p> <p>b) in the vertical YZ plane (E_{ZY}).</p>	<p>G2</p>
<p>Diagram</p>	
<p>Tolerance</p> <p style="text-align: center;">for a) and b)</p> <p style="text-align: center;">0,010 for any measuring length of 500</p>	<p>Measured deviations</p> <p>a)</p> <p>b)</p>
<p>Measuring instruments</p> <p>Straightness reference artefact, linear displacement sensor, and gauge blocks or optical measuring instruments</p>	
<p>Observations and reference to ISO 230-1:2012, 3.4.8, 8.2.2.1, and 8.2.3</p> <p>a) Mount the linear displacement sensor on the quill (head).</p> <p>b) Set the straightness reference artefact parallel to the y-axis in the XY plane and set the linear displacement sensor against it. Feed the y-axis through the measuring length and note the readings.</p> <p>c) Repeat the check in the same way in the YZ plane.</p>	

Object		G3
Checking of straightness of the quill (Z-axis) motion: a) in the ZX plane (E_{XZ}); b) in the YZ plane (E_{YZ}).		
Diagram		
<p>The diagram illustrates the measurement setup for checking the straightness of the quill (Z-axis) motion. It consists of three parts: <ul style="list-style-type: none"> a) A side view showing the quill (a vertical cylinder) mounted on a base. A linear displacement sensor is attached to the quill. A straightness reference artefact is placed on a surface plate below the quill. The X and Z axes are indicated. b) A side view showing the quill and sensor setup from a different perspective, with the Y and Z axes indicated. Detail view: A close-up of the sensor and reference artefact. The sensor is shown as a circle with a diagonal line, and the reference artefact is a shaded circle. The X and Y axes are shown, with the sensor measuring in the X-direction and the artefact in the Y-direction. </p>		
Tolerance	for a) and b) 0,010 for any measuring length of 300	Measured deviations a) b)
Measuring instruments		
Straightness reference artefact, surface plate, adjustable blocks, and linear displacement sensor		
Observations and reference to ISO 230-1:2012, 3.4.8, 8.2.2.1, and 8.2.3		
a) Mount the surface plate on the table. b) Mount the linear displacement sensor on the quill. c) Set the straightness reference artefact parallel to the Z-axis in the ZX plane and set the linear displacement sensor against the straightness reference artefact in the X-direction. Move the quill in the Z-direction through the measuring length and note the readings. d) Repeat the check in the same way in the YZ plane.		

Object	G4
Checking of squareness of y-axis to x-axis motion ($E_{C(0X)Y}$).	
Diagram 	
Tolerance 0,033 / 1 000 (0,010 / 300)	Measured deviations
Measuring instruments Straightness reference artefact, squareness reference artefact, and linear displacement sensor or optical measuring instruments	
Observations and reference to ISO 230-1:2012, 3.6.7, 10.3.2.2, and 10.3.2.5 <ol style="list-style-type: none"> a) Align the straightness reference artefact on the table so as to be parallel to the x-axis motion and press the squareness reference artefact against it. b) Mount the linear displacement sensor on the quill (head) and set it against the squareness reference artefact. Feed the y-axis through the measuring length and note the readings at several positions. The inclination of the reference straight line of the trajectory of the readings is the squareness error and shall be reported (see ISO 230-1:2012, 3.6.7). c) Using the squareness reference artefact only is also possible. In this case <ol style="list-style-type: none"> 1) set the squareness reference artefact so that the long arm is parallel to the x-axis motion, and 2) check the parallelism of the y-axis motion with the short arm. 	

Object		G5
Checking of squareness between the vertical movement of the quill (Z-axis) and the following: a) the x-axis motion ($E_{B(0X)Z}$); b) the y-axis motion ($E_{A(0Y)Z}$).		
Diagram		
Tolerance		Measured deviations
for a) and b) 0,050 / 1 000 (0,015 / 300)		a) b)
Measuring instruments		
Squareness reference artefact, surface plate, adjustable blocks, and linear displacement sensor or optical measuring instruments		
Observations and reference to ISO 230-1:2012, 3.6.7, 10.3.2.2, and 10.3.2.5		
a) Mount the surface plate on the table and adjust it so that the surface is parallel to both the X- and Y-axes. Place the squareness reference artefact on the surface plate. Mount the linear displacement sensor on the quill. b) Set the linear displacement sensor against the squareness reference artefact in the X-direction and move the quill in the Z-direction through the measuring length and note the readings at several positions. The inclination of the reference straight line of the trajectory of the readings is the squareness error and shall be reported (see ISO 230-1:2012, 3.6.7). c) Repeat the check in the same way in the Y-direction.		

Object	G6
<p>Checking of squareness between the vertical movement of the head (W-axis) and the following:</p> <p>a) the x-axis motion ($E_{B(0X)W}$);</p> <p>b) the y-axis motion ($E_{A(0Y)W}$).</p>	
<p>Diagram</p> 	
<p>Tolerance</p> <p style="text-align: center;">for a) and b)</p> <p style="text-align: center;">0,050 / 1 000 (0,015 / 300)</p>	<p>Measured deviations</p> <p>a)</p> <p>b)</p>
<p>Measuring instruments</p>	
<p>Squareness reference artefact, surface plate, adjustable blocks, and linear displacement sensor or optical measuring instruments</p>	
<p>Observations and reference to ISO 230-1:2012, 3.6.7, 10.3.2.2, and 10.3.2.5</p> <p>a) Mount the surface plate on the table and adjust it so that the surface is parallel to both the X- and Y-axes. Place the squareness reference artefact on the surface plate. Mount the linear displacement sensor on the head.</p> <p>b) Set the linear displacement sensor against the squareness reference artefact in the X-direction. Move the head in the W-direction through the measuring length and note the readings at several positions. The inclination of the reference straight line of the trajectory of the readings is the squareness error and shall be reported (see ISO 230-1:2012, 3.6.7).</p> <p>c) Repeat the check in the same way in the Y-direction.</p>	

Object	G7
Checking of angular deviation of the Z-axis motion (quill) [the W-axis motion (head)] in the XY plane (roll, E_{CZ} , or E_{CW}).	
Diagram 	
Tolerance 0,060/1 000 (0,012 / 200)	Measured deviations
Measuring instruments Straightness reference artefact, surface plate, adjustable blocks, and linear displacement sensor	
Observations and reference to ISO 230-1:2012, 3.4.16, 8.4.2.1, 8.4.2.2, and 8.4.3 <p>a) Mount the surface plate on the table. Place the straightness reference artefact on the surface plate approximately parallel to the Z-axis. Set the stylus of a linear displacement sensor to sense the Y-direction mounted on a special arm against the straightness reference artefact. Note the readings and mark the corresponding heights on the straightness reference artefact.</p> <p>b) Move the table along the x-axis and move the linear displacement sensor to the other side of the quill (head) so that the stylus can touch the straightness reference artefact again along the same line. The linear displacement sensor shall be zeroed again and the new measurements shall be taken at the same heights as the previous ones and noted.</p> <p>c) For each measurement height, calculate the difference of the two readings. The maximum and the minimum of these differences shall be selected and the value given by:</p> $\frac{(\text{Maximum difference} - \text{minimum difference})}{d}$ <p>where “d” is the distance between the two positions of the linear displacement sensor, is the angular error and shall be recorded.</p> <p>d) The possible roll deviation of the x-axis motion shall be measured and taken into account.</p>	

6.2 Table

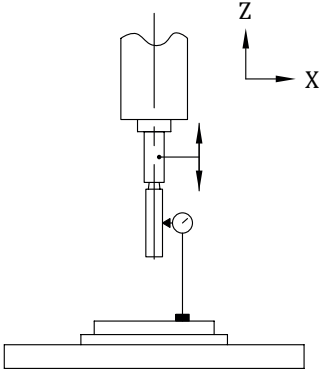
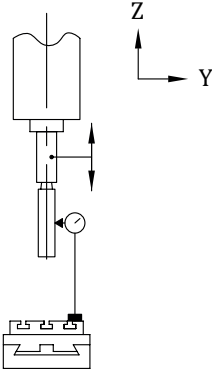
Object		G8
Checking of flatness of the table surface.		
Diagram		
Tolerance		Measured deviations
<p>0,03 for a measuring length up to 1 000 add 0,01 for any further 1 000 increase in length NOTE Measuring length means the longer length of O-X and O-Y.</p>		
Measuring instruments		
Precision level or straightness reference artefact and linear displacement sensor, or optical or other equipment		
Observations and reference to ISO 230-1:2012, 12.2.4.2, and 12.2.5		
<p>a) Set the table at the centre of x-axis and y-axis motion. Place the precision level on the table surface and move it in X- and Y-directions in the steps corresponding to its length and record the readings. The method of the measurement of angles along each direction is based on ISO 230-1:2012, 12.1.3.</p> <p>b) Measuring shall start from the point O, O',..... and C and be implemented on the line OA, line O'A',... and line CB in the direction of x-axis, and then start from the point O and be implemented on the line OC in the Y-direction.</p> <p>c) The flatness error shall be calculated according to ISO 230-1:2012, 12.2.4.2 and reported.</p>		

<p>Object</p> <p>Checking of parallelism between the table surface (Table) and the following:</p> <p>a) the x-axis motion ($E_{B(0X)Table}$);</p> <p>b) the y-axis motion ($E_{A(0Y)Table}$).</p>	<p>G9</p>
<p>Diagram</p> <p>The diagram consists of four schematic drawings labeled a) and b). Drawing a) (left): Shows a vertical quill with a stylus touching a table surface. A coordinate system with Z (vertical), X (horizontal), and Y (depth) axes is shown. A double-headed arrow indicates movement along the X-axis. Drawing b) (middle): Similar to a), but the double-headed arrow indicates movement along the Y-axis. Drawing a) (right): Shows a vertical quill with a stylus touching a reference artifact (a straightness reference artefact) on a table. A coordinate system with Z (vertical), X (horizontal), and Y (depth) axes is shown. A double-headed arrow indicates movement along the X-axis. Drawing b) (far right): Similar to a), but the double-headed arrow indicates movement along the Y-axis.</p>	
<p>Tolerance</p> <p style="text-align: center;">for a) and b)</p> <p style="text-align: center;">0,015 for any measuring length of 300</p> <p style="text-align: center;">Maximum tolerance: 0,04</p>	<p>Measured deviations</p> <p>a)</p> <p>b)</p>
<p>Measuring instruments</p> <p>Linear displacement sensor and straightness reference artefact</p>	
<p>Observations and reference to ISO 230-1:2012, 3.6.5, and 12.3.2.5</p> <p>a) Mount the linear displacement sensor on the quill (head).</p> <p>b) The stylus of the linear displacement sensor shall touch the table surface. Feed the x-axis through the measuring length and note the readings.</p> <p>c) Repeat the check in the same way in the Y-direction.</p> <p>d) The measurement shall be done approximately along the centrelines of the table in X- and Y-directions when possible.</p> <p>e) When the direct measurement of table surface is difficult due to, for example, T-slots, a straightness reference artefact set on the table can be used (see ISO 230-1:2012, 12.3.2.5.2).</p>	

6.3 Head, quill and spindle

Object		G10
Checking of parallelism between the electrode platen (Platen) and the following: a) the x-axis motion (EB(OX)Platen); b) the y-axis motion (EA(OY)Platen).		
Diagram		
Tolerance		Measured deviations
for a) and b) 0,010 for any measuring length of 200		a) b)
Measuring instruments		
Linear displacement sensor		
Observations and reference to ISO 230-1:2012, 3.6.5, and 12.3.2.5.2		
a) Place the linear displacement sensor on the table. b) Set the linear displacement sensor against the electrode platen surface. c) Feed the x-axis through the measuring length and note the readings at several positions. The maximum difference of the readings is the parallelism error and shall be reported. d) Repeat the check in the same way in the Y-direction.		

Object		G11
Checking of run-out of the spindle bore: a) near the spindle nose; b) at a distance of 100 mm.		
Diagram		
<p>The diagram illustrates the setup for measuring spindle bore run-out. It shows a spindle with a test mandrel inserted into its bore. A linear displacement sensor is used to measure the run-out of the bore. Two measurement points are indicated: 'a)' near the spindle nose and 'b)' at a distance of 100 mm from the nose. A rotation arrow 'c' indicates the direction of spindle rotation.</p>		
Tolerance		Measured deviations
a) 0,005		a)
b) 0,01		b)
Measuring instruments		
Test mandrel and linear displacement sensor		
Observations and reference to ISO 230-1:2012, 3.9.7, and 12.5.3		
a) Attach the test mandrel to the spindle. b) Mount the linear displacement sensor on the machine table. c) Set the linear displacement sensor against the test mandrel near the spindle nose, turn the spindle, and note the readings. d) Repeat the check in the same way at a distance of 100 mm apart.		

<p>Object</p> <p>Checking of parallelism between the spindle axis and the Z-axis motion:</p> <p>a) in the ZX plane ($E_{B(0Z)C}$);</p> <p>b) in the YZ plane ($E_{A(0Z)C}$).</p>	<p>G12</p>
<p>Diagram</p> <div style="display: flex; justify-content: space-around; align-items: center;"> <div style="text-align: center;">  <p>a)</p> </div> <div style="text-align: center;">  <p>b)</p> </div> </div>	
<p>Tolerance</p> <p style="text-align: center;">for a) and b)</p> <p style="text-align: center;">0,1 / 1 000 (0,01 / 100)</p>	<p>Measured deviations</p> <p>a)</p> <p>b)</p>
<p>Measuring instruments</p> <p>Test mandrel and linear displacement sensor</p>	
<p>Observations and reference to ISO 230-1:2012, 3.6.4, and 10.1.4.3</p> <p>a) Mount the linear displacement sensor on the machine table.</p> <p>b) Set the linear displacement sensor against the test mandrel in the ZX plane and find the mean position of the spindle by rotating it. Move the quill in the Z-direction and note the readings at several positions. The inclination of the reference straight line of the trajectory of the readings is the parallelism error and shall be reported.</p> <p>c) Repeat the check in the same way in the YZ plane.</p>	

7 Positioning tests for numerically controlled axes

To apply these tests, reference shall be made to ISO 230-2 especially for the environmental conditions, warming up of the machine, description of measuring methods, evaluation, and interpretation of the results.

Checking the W-axis is not included because W movement is used for adjusting the head position. When required, it shall be done in the same way as the checking of the Z-axis.

Object		P1			
Checking of accuracy, repeatability, and reversal value of positioning of the x-axis motion (E_{XX}).					
Diagram					
Key					
1 laser head					
2 interferometer					
3 reflector					
Tolerance		Measuring length			Measured deviation
		≤ 500	$\leq 1\ 000$	$\leq 2\ 000$	
Bidirectional accuracy of positioning	$E_{XX,A}$	0,012	0,016	0,020	
Unidirectional repeatability of positioning	$E_{XX,R\uparrow}$ and $E_{XX,R\downarrow}$	0,005	0,008	0,010	
Bidirectional repeatability	$E_{XX,R}$	0,010	0,012	0,016	
Reversal value of axis	$E_{XX,B}$	0,008	0,010	0,013	
Mean reversal value	$E_{XX,\bar{B}}$	0,004	0,005	0,006	
Bidirectional systematic deviation of positioning	$E_{XX,E}$	0,010	0,012	0,016	
Mean bi-directional positional deviation of the axis	$E_{XX,M}$	0,006	0,008	0,010	
Measuring instruments					
Laser measurement equipment or linear scale					
Observations and references to ISO 230-1:2012, 8.3 and ISO 230-2:2014					
Linear scale of length or beam axis of laser measurement equipment shall be set parallel to the axis under test.					
Rapid feed is used for positioning in principle, but arbitrary feed speed may be used with agreement between the manufacturer/supplier and the user.					

Object					P2
Checking of accuracy, repeatability, and reversal value of positioning of the y-axis motion (E_{YY}).					
Diagram					
<p>Key</p> <p>1 laser head 2 interferometer 3 reflector</p>					
Tolerance		Measuring length			Measured deviation
		≤ 500	≤ 1 000	≤ 2 000	
Bidirectional accuracy of positioning		$E_{YY,A}$	0,012	0,016	0,020
Unidirectional repeatability of positioning		$E_{YY,R\uparrow}$ and $E_{YY,R\downarrow}$	0,005	0,008	0,010
Bidirectional repeatability		$E_{YY,R}$	0,010	0,012	0,016
Reversal value of axis		$E_{YY,B}$	0,008	0,010	0,013
Mean reversal value		$E_{YY,\bar{B}}$	0,004	0,005	0,006
Bidirectional systematic deviation of positioning		$E_{YY,E}$	0,010	0,012	0,016
Mean bi-directional positional deviation of the axis		$E_{YY,\bar{E}}$	0,006	0,008	0,010
Measuring instruments					
Laser measurement equipment or linear scale					
Observations and references to ISO 230-1:2012, 8.3 and ISO 230-2:2014					
Linear scale of length or beam axis of laser measurement equipment shall be set parallel to the axis under test.					
Rapid feed is used for positioning in principle, but arbitrary feed speed may be used with agreement between the manufacturer/supplier and the user.					

No reproduction or networking permitted without license from IHS

Object					P3
Checking of accuracy, repeatability, and reversal value of positioning of the Z-axis motion (E_{ZZ}).					
Diagram					
<p>Key</p> <p>1 laser head 2 interferometer 3 reflector</p>					
Tolerance		Measuring length			Measured deviation
		≤ 250	≤ 500	≤ 1 000	
Bidirectional accuracy of positioning	$E_{ZZ,A}$	0,010	0,012	0,016	
Unidirectional repeatability of positioning	$E_{ZZ,R\uparrow}$ and $E_{ZZ,R\downarrow}$	0,004	0,005	0,008	
Bidirectional repeatability	$E_{ZZ,R}$	0,008	0,010	0,012	
Reversal value of axis	$E_{ZZ,B}$	0,006	0,008	0,010	
Mean reversal value	$E_{ZZ,\bar{B}}$	0,003	0,004	0,005	
Bidirectional systematic deviation of positioning	$E_{ZZ,E}$	0,008	0,010	0,012	
Mean bi-directional positional deviation of the axis	$E_{ZZ,M}$	0,005	0,006	0,008	
Measuring instruments					
Laser measurement equipment or linear scale					
Observations and references to ISO 230-1:2012, 8.3 and ISO 230-2:2014					
Linear scale of length or beam axis of laser measurement equipment shall be set parallel to the axis under test.					
Rapid feed is used for positioning in principle, but arbitrary feed speed may be used with agreement between the manufacturer/supplier and the user.					

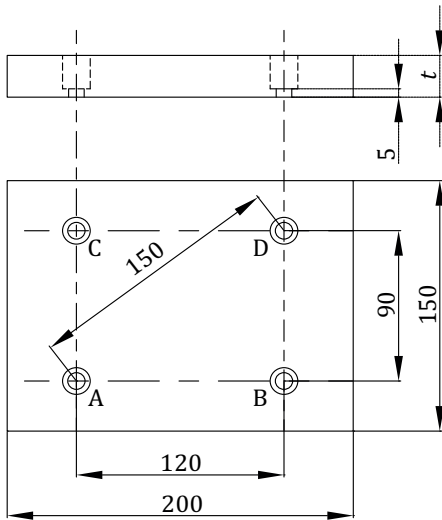
No reproduction or networking permitted without license from IHS

Object		P4
Checking of accuracy, repeatability, and reversal value of positioning of the C-axis motion (E_{CC}).		
Diagram		
<p>Key</p> <p>1 autocollimator 2 polygon mirror</p>		
Tolerance (in arcseconds)		Measured deviation
Bidirectional accuracy of positioning	$E_{CC,A}$	80
Unidirectional repeatability of positioning	$E_{CC,R\uparrow}$ and $E_{CC,R\downarrow}$	40
Bidirectional repeatability	$E_{CC,R}$	55
Reversal value of axis	$E_{CC,B}$	40
Mean reversal value	$E_{CC,\bar{B}}$	20
Bidirectional systematic deviation of positioning	$E_{CC,E}$	65
Mean bi-directional positional deviation of the axis	$E_{CC,M}$	40
Measuring instruments		
<ul style="list-style-type: none"> — autocollimator and polygon mirror, — rotary encoder, or — laser angle interferometer with indexing table. 		
Observations and references to ISO 230-1:2012, 9.2 and ISO 230-2:2014		
Measure at least four target positions such as 0°, 90°, 180°, and 270°.		
The number of target positions depends on the number of reflecting mirrors when autocollimator and polygon mirror are used for measuring.		
If constant intervals between positions are applied for testing rotary axis which is typical for polygon mirrors, this shall be mentioned in the test report.		

8 Machining test

Object		M1
Checking of accuracy of hole spacing and diameter difference of holes machined under finishing conditions:		
<ul style="list-style-type: none"> a) accuracy of hole spacing; b) diameter difference measured in the X- and Y-directions. 		

Diagram



Machining shape

Hole diameter: $\varnothing 10 \sim \varnothing 12$

Hole spacing: 120×90

Depth of holes: 5

Radial stock removal amount: 0,5

(pre-machined hole diameter should be 9 for finished-hole diameter 10)

Workpiece

Steel: 200×150

A plate of thickness $t = 25$ mm is recommended, but a 5 mm plate is also acceptable. When t is more than 5 mm, countersinking from the back side is necessary.

Electrode

Copper and cylindrical bar

Machining condition

Finishing condition such that the roughness of the finished surface is $Ra 2 \mu\text{m}$ or less. The electrode shall not be rotated.

Tolerance

a) accuracy of hole spacing	AC, BD	$90 \pm 0,02$
	CD, AB	$120 \pm 0,02$
	AD, BC	$150 \pm 0,03$
b) diameter difference measured in the X- and Y-directions:	0,02	

Measured deviation

- a)
- b)

Measuring instruments

Coordinate measuring machine or optical measuring machine

Inner diameter measuring equipment, pins, and micrometer

Observations and references to ISO 230-1:2012, Annex B, ISO 1101

The machining of pre-machined holes may be processed either before setting the workpiece on the table or after setting, but uniform radial removal is recommended.

No reproduction or networking permitted without license from IHS

Annex A (informative)

Equivalent terms in Dutch, German, Italian, Swedish, Persian, and Japanese

Table A.1 — Cross-slide table type

Ref.	Dutch	German	Italian	Swedish	Persian	Japanese
1	Bed	Bett	Banco	Bädd	بستر	ベッド
2	Kolom	Ständer	Montante	Stativ	ستون	コラム
3	Werkstuk Opspantafel (X-richting)	Werkstückspanntisch (X-Achse)	Tavola (asse X)	Bord (X-riktning)	میز (محور X)	テーブル (X 軸)
4	Dwarsslede (Y-richting)	Querschlitten (Y-Achse)	Slitta trasversale (asse Y)	Tvärslid (Y-riktning)	سایورت (محور Y)	サドル (Y 軸)
5	Werkstuk tank	Arbeitsbehälter	Serbatoio	Behållare	مخزن کاری	加工槽
6	Bewerkingskop (W-richting)	Arbeitskopf (W-Achse)	Testa (asse W)	Huvud (W-riktning)	کلگی (محور W)	ヘッド (W 軸)
7	Pinole (Z-richting)	Pinole (Z-Achse)	Cannotto (asse Z)	Pinol (Z-riktning)	کوبیل (محور Z)	クイル (Z 軸)
8	Gereedschapsdrager	Werkzeugträger	Porta-elettrodo	Elektrodhållare	صفحه الکترودیگر	電極取付板
9	Spil (C-richting)	Spindel (C-Achse)	Mandrino (asse C)	Spindel (C-riktning)	اسپیندل (محور C)	主軸 (C 軸)
10	Elektrode	Elektrode	Elettrodo	Elektrod	الکتروود	電極

Table A.2 — Fixed table type

Ref.	Dutch	German	Italian	Swedish	Persian	Japanese
1	Bed	Bett	Banco	Bädd	بستر	ベッド
2	Kolom	Ständer	Montante	Stativ	ستون	コラム
3	Langslede (X-richting)	Längsschlitten (X-Achse)	Slitta longitudinale (asse X)	Längsslid (X-riktning)	سایورت (محور X)	テーブル (X 軸)
4	Arm (Y-richting)	Ausleger (Y-Achse)	Slittone (asse Y)	Ramm (Y-riktning)	رام (محور Y)	ラム (Y 軸)
5	Werkstuk Opspantafel	Werkstückspanntisch	Tavola	Bord	میز	テーブル
6	Werkstuk tank	Arbeitsbehälter	Serbatoio	Behållare	مخزن کاری	加工槽
7	Bewerkingskop (W-richting)	Arbeitskopf (W-Achse)	Testa (asse W)	Huvud (W-riktning)	کلگی (محور W)	ヘッド (W 軸)
8	Pinole (Z-richting)	Pinole (Z-Achse)	Canotto (asse Z)	Pinol (Z-riktning)	کوئیل (محور Z)	クイル (Z 軸)
9	Gereedschapsdrager	Werkzeugträger	Porta-elettrodo	Elektrodhållare	صفحه الکتروڈگیر	電極取付板
10	Spil (C-richting)	Spindel (C-Achse)	Mandrino (asse C)	Spindel (C-riktning)	اسپیندل (محور C)	主軸 (C 軸)
11	Elektrode	Elektrode	Elettrodo	Elektrod	الکتروڈ	電極

Bibliography

- [1] ISO 841:2001, *Industrial automation systems and integration — Numerical control of machines — Coordinate system and motion nomenclature*
- [2] ISO 1101:2012, *Geometrical product specifications (GPS) — Geometrical tolerancing — Tolerances of form, orientation, location and run-out*
- [3] ISO/TR 230-11¹⁾, *Test code for machine tools - Part 11: Measuring instruments and their application to machine tool geometry tests*

1) Under preparation.

