



INTERNATIONAL STANDARD ISO 10542-1:2012
TECHNICAL CORRIGENDUM 1

Published 2013-09-15

INTERNATIONAL ORGANIZATION FOR STANDARDIZATION • МЕЖДУНАРОДНАЯ ОРГАНИЗАЦИЯ ПО СТАНДАРТИЗАЦИИ • ORGANISATION INTERNATIONALE DE NORMALISATION

Technical systems and aids for disabled or handicapped persons — Wheelchair tiedown and occupant-restraint systems —

Part 1:
Requirements and test methods for all systems

TECHNICAL CORRIGENDUM 1

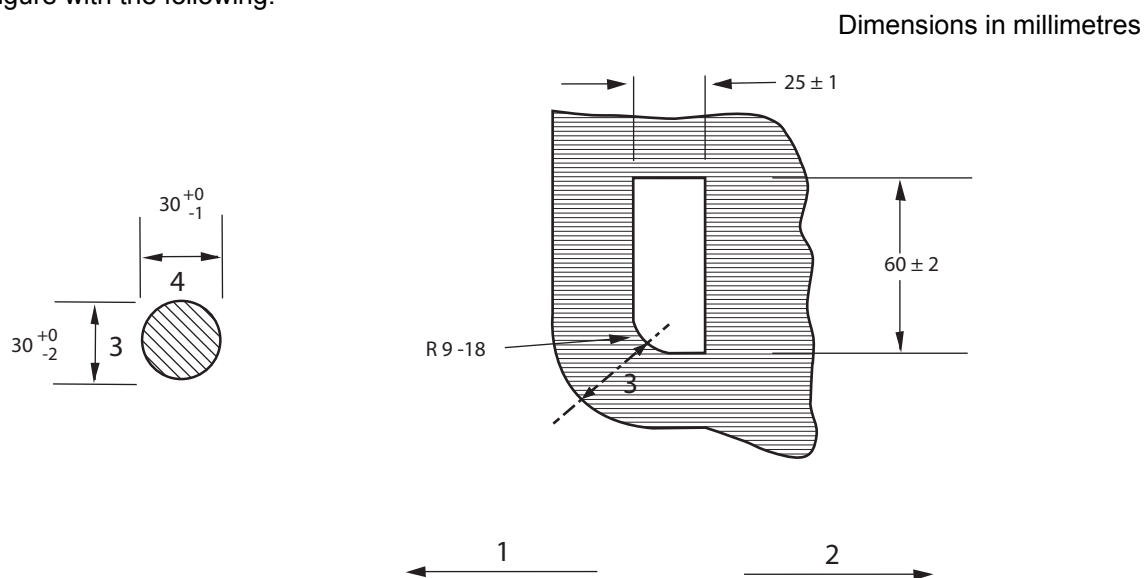
Assistances et aides techniques pour les personnes invalides ou handicapées — Systèmes d'attache du fauteuil roulant et de retenue de l'occupant —

Partie 1: Exigences générales et méthodes d'essai pour tous les systèmes

RECTIFICATIF TECHNIQUE 1

Technical Corrigendum 1 to ISO 10542-1:2012 was prepared by Technical Committee ISO/TC 173, *Assistive products for persons with disability*, Subcommittee SC 1, *Wheelchairs*.

Replace the figure with the following:



Key

- 1 towards anchor point
- 2 towards wheelchair
- 3 measured from inside to outside at the middle of the elbow on the structural part of the securement point
- 4 measured laterally at the middle of the elbow on the structural part of the securement point

NOTE 1 Securement point locations on SWC do not imply recommended locations on production wheelchairs.

NOTE 2 These dimensions are related to ISO 7176-19:2008, Annex B.

Figure E.4 — Dimensions of surrogate wheelchair securement points intended to be engaged by the end fittings of four-point strap-type tiedown systems