

INTERNATIONAL
STANDARD

ISO
10343

Third edition
2014-07-01

Ophthalmic instruments — Ophthalmometers

Instruments ophtalmiques — Ophtalmomètres



Reference number
ISO 10343:2014(E)

© ISO 2014



COPYRIGHT PROTECTED DOCUMENT

© ISO 2014

All rights reserved. Unless otherwise specified, no part of this publication may be reproduced or utilized otherwise in any form or by any means, electronic or mechanical, including photocopying, or posting on the internet or an intranet, without prior written permission. Permission can be requested from either ISO at the address below or ISO's member body in the country of the requester.

ISO copyright office
Case postale 56 • CH-1211 Geneva 20
Tel. + 41 22 749 01 11
Fax + 41 22 749 09 47
E-mail copyright@iso.org
Web www.iso.org

Published in Switzerland

Contents

	Page
Foreword	iv
1 Scope	1
2 Normative references	1
3 Terms and definitions	1
4 Requirements	2
4.1 General	2
4.2 Radius of curvature measurements	2
4.3 Measurement of direction of principal meridians	3
4.4 Eyepiece adjustment (if applicable)	3
5 Test methods	3
5.1 General	3
5.2 Checking optical requirements	3
6 Accompanying documents	4
7 Marking, labelling and packaging	4
Annex A (informative) Test devices and test configuration for checking meridional axes and ophthalmometer position	5
Bibliography	7

Foreword

ISO (the International Organization for Standardization) is a worldwide federation of national standards bodies (ISO member bodies). The work of preparing International Standards is normally carried out through ISO technical committees. Each member body interested in a subject for which a technical committee has been established has the right to be represented on that committee. International organizations, governmental and non-governmental, in liaison with ISO, also take part in the work. ISO collaborates closely with the International Electrotechnical Commission (IEC) on all matters of electrotechnical standardization.

The procedures used to develop this document and those intended for its further maintenance are described in the ISO/IEC Directives, Part 1. In particular the different approval criteria needed for the different types of ISO documents should be noted. This document was drafted in accordance with the editorial rules of the ISO/IEC Directives, Part 2. www.iso.org/directives

Attention is drawn to the possibility that some of the elements of this document may be the subject of patent rights. ISO shall not be held responsible for identifying any or all such patent rights. Details of any patent rights identified during the development of the document will be in the Introduction and/or on the ISO list of patent declarations received. www.iso.org/patents

Any trade name used in this document is information given for the convenience of users and does not constitute an endorsement.

For an explanation on the meaning of ISO specific terms and expressions related to conformity assessment, as well as information about ISO's adherence to the WTO principles in the Technical Barriers to Trade (TBT), see the following URL: [Foreword - Supplementary information](#)

The committee responsible for this document is ISO/TC 172, *Optics and photonics*, Subcommittee SC 7, *Ophthalmic optics and instruments*.

This third edition cancels and replaces the second edition (ISO 10343:2009), which has been technically revised.

Ophthalmic instruments — Ophthalmometers

1 Scope

This International Standard, together with ISO 15004-1, specifies requirements and test methods for continuously or digitally indicating ophthalmometers. Certain types of ophthalmometer have sufficient resolution and range (see [Table 2](#)) to adequately measure the radii of curvature of contact lenses complying with ISO 18369-3:2006, 4.1.3, and [Clause 5](#). It is assumed that the local corneal front surface and both contact lens surfaces are spherical or toroidal.

This International Standard takes priority over ISO 15004-1, if differences exist.

2 Normative references

The following documents, in whole or in part, are normatively referenced in this document and are indispensable for its application. For dated references, only the edition cited applies. For undated references, the latest edition of the referenced document (including any amendments) applies.

ISO 8429, *Optics and optical instruments — Ophthalmology — Graduated dial scale*

ISO 15004-1:2006, *Ophthalmic instruments — Fundamental requirements and test methods — Part 1: General requirements applicable to all ophthalmic instruments*

IEC 60601-1, *Medical electrical equipment — Part 1: General requirements for basic safety and essential performance*

3 Terms and definitions

For the purposes of this document, the following terms and definitions apply.

3.1 ophthalmometer

instrument designed to measure and indicate the radii of curvature and principal meridians of the human cornea's central area and of contact lenses

3.2 distance-dependent ophthalmometer

ophthalmometer in which the result of measurement is influenced by the distance between the instrument and the surface to be measured

3.3 toroidal surface

surface having two orthogonal, circular "principal meridians", one maximum and one minimum, and generated by a circular arc rotating about an axis which is in the same plane as the arc but which does not pass through its centre of curvature

3.4 principal curvature direction

direction in which the radius of curvature of the reflecting surface to be measured is at its minimum or maximum

3.5

keratometric constant

conversion value equal to 337,5 used to convert corneal curvature from inverse millimetres (mm⁻¹) to keratometric dioptres

[SOURCE: ISO 19980:2012, 3.11]

3.6

keratometric dioptres

KD

value of curvature, expressed in inverse millimetres (mm⁻¹), multiplied by the keratometric constant 337,5

[SOURCE: ISO 19980:2012, 3.12]

4 Requirements

4.1 General

The ophthalmometer shall conform to the requirements specified in ISO 15004-1.

4.2 Radius of curvature measurements

The ophthalmometer shall conform to requirements given in [Table 1](#) or [Table 2](#). Conformity shall be verified as described in [5.2](#). If the instrument conforms to the requirement of [Table 1](#) it is a “Type B” ophthalmometer. If the instrument conforms to the requirements of [Table 2](#) it is a “Type A” ophthalmometer. Type A and Type B ophthalmometers have sufficient resolution and range to adequately measure human corneas. Type A ophthalmometers have sufficient resolution and range (see [Table 2](#)) to adequately measure the radii of curvature of contact lenses complying with ISO 18369-3:2006, 4.1.3, and [Clause 5](#). It is assumed that the local corneal front surface and both contact lens surfaces are spherical or toroidal.

Table 1 — Requirements for measurement of radius of curvature and curvature for Type B ophthalmometers (applicable to human corneas only)

Criterion		Requirement
Measuring range		6,5 mm to 9,4 mm (52,0 KD to 36,0 KD)
Indications given in terms of radii of curvature	continuously indicating instruments	scale interval of 0,1 mm (0,25 KD)
	digitally indicating instruments	increment 0,02 mm (0,125 KD)
Measurement accuracy (twice the standard deviation, i.e. 2σ)		±0,05 mm

Table 2 — Requirements for measurement of radius of curvature and curvature for Type A ophthalmometers (applicable to contact lenses and human corneas)

Criterion		Requirement
Measuring range		6,5 mm to 9,4 mm (52,0 KD to 36,0 KD)
Indications given in terms of radii of curvature	continuously indicating instruments	scale interval of 0,02 mm (0,125 KD)
	digitally indicating instruments	increment 0,02 mm (0,125 KD)
Measurement accuracy (twice the standard deviation, i.e. 2σ)		$\pm 0,025$ mm

4.3 Measurement of direction of principal meridians

The ophthalmometer shall conform to requirements given in [Table 3](#). Conformity shall be verified as described in [5.2](#).

Table 3 — Requirements for measurement of direction of principal meridians

Criterion		Requirement
Measuring range		0° to 180°
Meridian direction reading	continuously indicating scales	scale interval 5°
	digitally indicating scales	increment 1°
Measurement accuracy using test device (twice the standard deviation, i.e. 2σ)	for principal meridional differences in radii of curvature $\leq 0,3$ mm	$\pm 4^\circ$
	for principal meridional differences in radii of curvature $> 0,3$ mm	$\pm 2^\circ$
Angular indications shall be in accordance with ISO 8429.		

4.4 Eyepiece adjustment (if applicable)

The dioptric adjustment range for distance-dependent instruments shall be a minimum of -4 D to $+4$ D, for which the scale from -3 D to $+2$ D shall be calibrated.

5 Test methods

5.1 General

All tests described in this International Standard are type tests.

5.2 Checking optical requirements

Conformity to the requirements specified in [4.2](#) and [4.3](#) shall be verified by use of measuring devices the measuring error of which is less than 10 % of the smallest value to be determined.

Test results shall be evaluated according to the general rules of statistics.

Conformity to the requirements of 4.2 shall be verified using three spherical test surfaces, one chosen from each of three radii ranges: $\leq 6,8$ mm, 7,5 mm to 8,1 mm and $\geq 9,1$ mm. These test surfaces shall have the following properties:

- a) uncertainty of sphere radius of curvature ≤ 1 μm ;
- b) local departure from sphericity $\leq 0,5$ μm ;
- c) surface roughness $\leq 0,05$ μm ;
- d) diameter of effective surface ≥ 6 mm.

Conformity to the requirements of 4.3 shall be verified with two test devices as described in Table 4. To fulfil the requirements of 4.3, each test device shall be used to measure in four different orientations, namely 0°, 45°, 90° and 135°. The orientation of the test devices shall be referenced to a local horizontal as established by a spirit level. One example of this test device is described in Annex A.

Table 4 — Parameters for test device

Type	Maximum principal radius of curvature	Difference between principal radii	Precision with which principal meridional axis is known
1	8,0 mm \pm 0,2 mm	0,2 mm \pm 0,07 mm	$\pm 1^\circ$
2	8,0 mm \pm 0,2 mm	0,4 mm \pm 0,07 mm	$\pm 0,5^\circ$

6 Accompanying documents

The ophthalmometer shall be accompanied by documents containing instructions for use and any necessary precautions. In particular, these documents shall contain the following information:

- a) name and address of the manufacturer;
- b) instructions as to effective disinfection of the ophthalmometer with particular reference to instruments returned to the manufacturer for repair and maintenance;
- c) if appropriate, a statement that the ophthalmometer in its original packaging conforms to the transport conditions as specified in ISO 15004-1:2006, 5.3;
- d) any additional documents as specified in IEC 60601-1.

7 Marking, labelling and packaging

The ophthalmometer shall be permanently marked with at least the following information:

- a) name and address of manufacturer or supplier;
- b) name, model, serial number and type according to 4.2;
- c) additional marking as required by IEC 60601-1;
- d) a reference to this International Standard, i.e. ISO 10343:2014, if the manufacturer or supplier claims compliance with it.

Annex A (informative)

Test devices and test configuration for checking meridional axes and ophthalmometer position

[Figure A.1](#) depicts one of two lenses, each of non-critical centre thickness, having one plano and one toroidal surface, with optical and mechanical centres of curvature coaxial. The radii of curvature of the toroidal surface should be of the following design:

$$r_1 = 8,00 \text{ mm} \pm 0,2 \text{ mm}$$

$$r_2 < r_1$$

The radii of curvature difference for each of the two test lenses cited in [Table 4](#) is as follows:

- Type 1: 0,2 mm \pm 0,07 mm
- Type 2: 0,4 mm \pm 0,07 mm

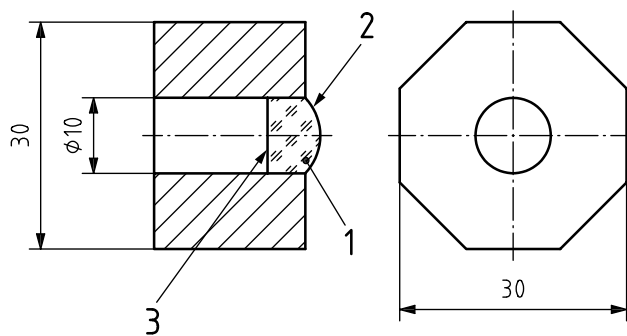
Each lens is mounted in a holder whose mechanical axis is coincident and parallel with the test lens' optical axis. As indicated in [Figure A.1](#), the holder is an octagonal cylinder composed of four pairs of parallel plano surfaces, each of which is equidistant from, and parallel to, the holder's mechanical axis. Each toric test lens is mounted so that its principal meridians are perpendicular to an orthogonal pair of holder plano reference surfaces within the following tolerances:

- a) Type 1: $\pm 1^\circ$
- b) Type 2: $\pm 0,5^\circ$

The angular precision of the lens mounting can be verified by a setup as shown in [Figure A.2](#). A low-energy visible laser beam of approximately 10 mm diameter is directed normally to the test lens' plano surface. A small real aerial image is formed by the test lens. A suitable positive lens, placed at a convenient axial distance from the first image, can be used to project enlarged line images on to a screen. If test lens holder and screen reference line are commonly referenced by spirit level, the orientation of the test lens in the holder can be verified.

Copyright International Organization for Standardization

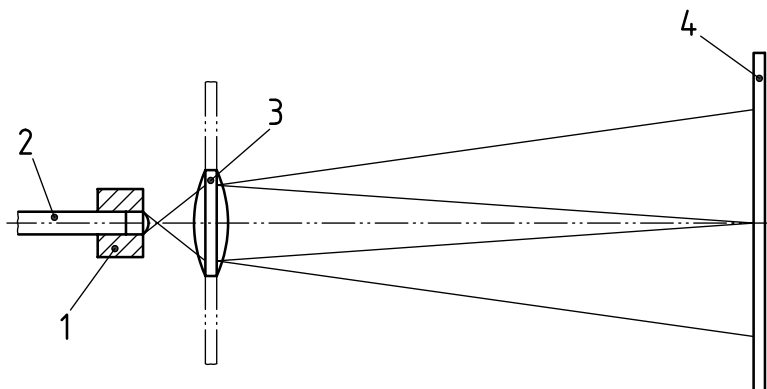
Dimensions in millimetres



Key

- 1 test lens
- 2 toroidal surface
- 3 plano surface

Figure A.1 — Test device



Key

- 1 test device
- 2 laser beam
- 3 projector
- 4 screen

Figure A.2 — Test configuration

Bibliography

- [1] ISO 18369-3:2006, *Ophthalmic optics — Contact lenses — Part 3: Measurement methods*
- [2] ISO 19980:2012, *Ophthalmic instruments — Corneal topographers*

