

INTERNATIONAL STANDARD

ISO
10230

First edition
1990-12-01

Cycles — Splined hub and sprocket — Mating dimensions

*Cycles — Pignons et corps d'entraînement cannelés --Dimensions
d'assemblage*



Reference number
ISO 10230:1990(E)

Foreword

ISO (the International Organization for Standardization) is a worldwide federation of national standards bodies (ISO member bodies). The work of preparing International Standards is normally carried out through ISO technical committees. Each member body interested in a subject for which a technical committee has been established has the right to be represented on that committee. International organizations, governmental and non-governmental, in liaison with ISO, also take part in the work. ISO collaborates closely with the International Electrotechnical Commission (IEC) on all matters of electrotechnical standardization.

Draft International Standards adopted by the technical committees are circulated to the member bodies for voting. Publication as an International Standard requires approval by at least 75 % of the member bodies casting a vote.

International Standard ISO 10230 was prepared by Technical Committee ISO/TC 149, *Cycles*.

© ISO 1990

All rights reserved. No part of this publication may be reproduced or utilized in any form or by any means, electronic or mechanical, including photocopying and microfilm, without permission in writing from the publisher.

International Organization for Standardization
Case Postale 56 • CH-1211 Genève 20 • Switzerland

Printed in Switzerland

Cycles — Splined hub and sprocket — Mating dimensions

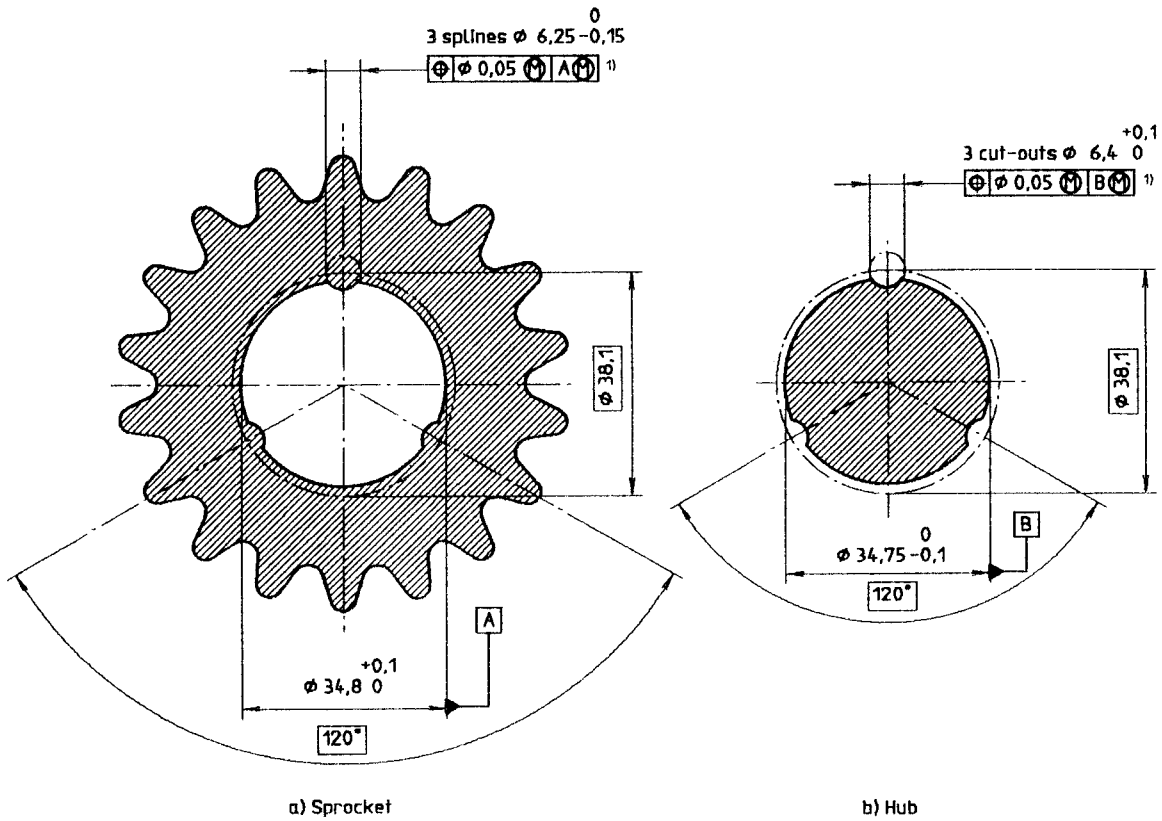
1 Scope

This International Standard specifies mating dimensions and tolerances for the sprocket and splines of the hub of an internally geared hub or a backpedal brake hub on a cycle.

2 Dimensions and tolerances

The dimensions and tolerances for the fitting of a sprocket to a splined hub shall be as given in figure 1.

NOTE 1 Meanings of tolerance symbols are given in ISO 1101:1983, *Technical drawings — Geometrical tolerancing — Tolerancing of form, orientation, location and run-out — Generalities, definitions, symbols, indications on drawings* and ISO 2692:1988, *Technical drawings — Geometrical tolerancing — Maximum material principle*.



1) See note in clause 2.

Figure 1 — Mating dimensions of hub and sprocket

UDC 629.118.3.012.64

Descriptors: road vehicles, bicycles, hubs, sprocket wheels, dimensions.

Price based on 2 pages