
**Cutting tool data representation and
exchange —**

**Part 3:
Reference dictionary for tool items**

*Représentation et échange des données relatives aux outils
coupants —*

*Partie 3: Dictionnaire de référence pour les éléments relatifs aux
outils*





COPYRIGHT PROTECTED DOCUMENT

© ISO 2014

All rights reserved. Unless otherwise specified, no part of this publication may be reproduced or utilized otherwise in any form or by any means, electronic or mechanical, including photocopying, or posting on the internet or an intranet, without prior written permission. Permission can be requested from either ISO at the address below or ISO's member body in the country of the requester.

ISO copyright office
Case postale 56 • CH-1211 Geneva 20
Tel. + 41 22 749 01 11
Fax + 41 22 749 09 47
E-mail copyright@iso.org
Web www.iso.org

Published in Switzerland

Contents

	Page
Foreword	iv
Introduction	vi
1 Scope	1
2 Normative references	2
3 Terms and definitions	2
4 Abbreviated terms	6
5 Representation of the ontology concepts as dictionary entries	6
5.1 General.....	6
5.2 Reference systems for tool items.....	7
6 Properties for tool item features and tool item types	13
Annex A (normative) Information object registration	18
Annex B (informative) Classification tables	19
Annex C (informative) Class definitions	22
Annex D (informative) Tool item property definitions	52
Annex E (informative) Illustrations of properties	127
Bibliography	140

Foreword

ISO (the International Organization for Standardization) is a worldwide federation of national standards bodies (ISO member bodies). The work of preparing International Standards is normally carried out through ISO technical committees. Each member body interested in a subject for which a technical committee has been established has the right to be represented on that committee. International organizations, governmental and non-governmental, in liaison with ISO, also take part in the work. ISO collaborates closely with the International Electrotechnical Commission (IEC) on all matters of electrotechnical standardization.

The procedures used to develop this document and those intended for its further maintenance are described in the ISO/IEC Directives, Part 1. In particular the different approval criteria needed for the different types of ISO documents should be noted. This document was drafted in accordance with the editorial rules of the ISO/IEC Directives, Part 2 (see www.iso.org/directives).

Attention is drawn to the possibility that some of the elements of this document may be the subject of patent rights. ISO shall not be held responsible for identifying any or all such patent rights. Details of any patent rights identified during the development of the document will be in the Introduction and/or on the ISO list of patent declarations received (see www.iso.org/patents).

Any trade name used in this document is information given for the convenience of users and does not constitute an endorsement.

For an explanation on the meaning of ISO specific terms and expressions related to conformity assessment, as well as information about ISO's adherence to the WTO principles in the Technical Barriers to Trade (TBT) see the following URL: Foreword - Supplementary information

The committee responsible for this document is ISO/TC 29, *Small tools*.

This second edition cancels and replaces the first edition (ISO/TS 13399-3:2007), which has been technically revised.

ISO 13399 consists of the following parts, under the general title *Cutting tool data representation and exchange*:

- *Part 1: Overview, fundamental principles and general information model*
- *Part 2: Reference dictionary for cutting items* [Technical Specification]
- *Part 3: Reference dictionary for tool items* [Technical Specification]
- *Part 4: Reference dictionary for adaptive items* [Technical Specification]
- *Part 5: Reference dictionary for assembly items* [Technical Specification]
- *Part 50 Reference dictionary for reference systems and common concepts* [Technical Specification]
- *Part 60: Reference dictionary for connection systems* [Technical Specification]
- *Part 100: Definitions, principles and methods for reference dictionaries* [Technical Specification]
- *Part 150: Usage guidelines* [Technical Specification]
- *Part 301: Concept for the design of 3D models based on properties according to ISO/TS 13399-3: Modelling of thread-cutting taps, thread-forming taps and thread-cutting dies* [Technical Specification]
- *Part 302: Concept for the design of 3D models based on properties according to ISO/TS 13399-3: Modelling of solid drills and countersinking tools* [Technical Specification]

The following parts are under preparation:

- *Part 51: Designation system for customer solution cutting tools*

- *Part 80: Concept for the design of 3D models based on properties according to ISO 13399: Overview and principles* [Technical Specification]
- *Part 201: Concept for the design of 3D models based on properties according to ISO/TS 13399-2: Modelling of regular inserts* [Technical Specification]
- *Part 202: Concept for the design of 3D models based on properties according to ISO/TS 13399-2: Modelling of irregular inserts* [Technical Specification]
- *Part 203: Concept for the design of 3D models based on properties according to ISO/TS 13399-2: Modelling of exchangeable inserts for drilling* [Technical Specification]
- *Part 204: Concept for the design of 3D models based on properties according to ISO/TS 13399-2: Modelling of inserts for reaming* [Technical Specification]
- *Part 303: Concept for the design of 3D models based on properties according to ISO/TS 13399-3: Modelling of end mills with non-indexable cutting edges* [Technical Specification]
- *Part 304: Concept for the design of 3D models based on properties according to ISO/TS 13399-3: Modelling of milling cutters with arbor hole and non-indexable cutting edges* [Technical Specification]
- *Part 307: Concept for the design of 3D models based on properties according to ISO/TS 13399-3: Modelling of end mills for indexable inserts* [Technical Specification]
- *Part 308: Concept for the design of 3D models based on properties according to ISO/TS 13399-3: Modelling of milling cutter with arbor hole for indexable inserts* [Technical Specification]
- *Part 309: Concept for the design of 3D models based on properties according to ISO/TS 13399-3: Tool holders for indexable inserts* [Technical Specification]
- *Part 311: Concept for the design of 3D models based on properties according to ISO/TS 13399-3: Modelling of solid reamers* [Technical Specification]
- *Part 312: Concept for the design of 3D models based on properties according to ISO/TS 13399-3: Modelling of reamers for indexable inserts* [Technical Specification]
- *Part 401: Concept for the design of 3D models based on properties according to ISO/TS 13399-4: Modelling of converting, extending and reducing adaptive items* [Technical Specification]
- *Part 405: Concept for the design of 3D models based on properties according to ISO/TS 13399-4: Modelling of collets* [Technical Specification]

Introduction

This part of ISO 13399 defines the terms, properties, and definitions for those portions of a cutting tool that support one or more cutting items with defined cutting edges. Tool items include, but are not limited to, turning tools, milling tools, drilling tools, threading tools, etc. The purpose of this part of ISO 13399 is to provide a reference dictionary to support the use of the general information model defined in ISO 13399-1.

A cutting tool with defined cutting edges is used on a machine to remove material from a workpiece by a shearing action at the cutting edges of the tool. Cutting tool data that can be described by ISO 13399 (all parts) include, but are not limited to, everything between the workpiece and the machine tool. Information about inserts (e.g. regular and irregular shaped replaceable cutting items), solid tools (e.g. solid drill and endmill), assembled tools (e.g. boring bars, indexable drills, and indexable milling cutters), adaptors (e.g. milling arbor and drilling chuck), components (e.g. shims, screws, and clamps), and their relationships can be represented by ISO 13399 (all parts). Possible assemblies of the components of a cutting tool are illustrated in [Figure 1](#).

The objective of ISO 13399 (all parts) is to provide the means to represent the information that describes cutting tools in a computer-sensible form that is independent from any particular computer system. The representation will facilitate the processing and exchange of cutting tool data within and between different software systems and computer platforms and support the application of this data in manufacturing planning, cutting operations, and the supply of tools. The nature of this description makes it suitable not only for neutral file exchange, but also as a basis for implementing and sharing product databases and for archiving. The methods used for these representations are those developed by ISO/TC 184/SC 4 for the representation of product data by using standardized information models and reference dictionaries.

An information model is a formal specification of types, ideas, facts, and processes which together describe a portion of interests of the real world and which provides an explicit set of interpretation rules. Information is knowledge of ideas, facts, and/or processes. Data are symbols or functions that represent information for processing purposes. Data are interpreted to extract information by using rules for how that should be done and a dictionary to define the terms that identify the data items. Everyone in a communication process is expected to use the same information model, the same set of explicit rules, and the same dictionary in order to avoid misunderstanding. If an information model and its dictionary are written in a computer-sensible language, then there is the additional benefit that they can be computer processable.

An engineering information model is therefore a specification for data that establishes the meaning of that data in a particular engineering context. A model has to be developed by formal methods to ensure that it meets the needs of the situation that it represents. An engineering information model defines the information objects that represent the concepts in an engineering application, the attributes of the objects, their relationships, and the constraints that add further meaning. An information model is an abstract concept that can be used repeatedly for any example of the real-world situation that it represents. An instance of the model is created when it is populated with the data items and their values that are applicable to a particular example of that situation.

This part of ISO 13399 uses the following International Standards developed by ISO/TC 184/SC 4:

- the EXPRESS language defined in ISO 10303-11 for defining the information model in ISO 13399-1;
- the file format for data exchange derived from the model and defined in ISO 10303-21;
- the data dictionary defined in the ISO 13584 series.

The ISO 13399 series is intended for use by, among others, tool producers and vendors, manufacturers, and developers of manufacturing software. ISO 13399 provides a common structure for exchanging

data about cutting tools with defined cutting edges. ISO 13399 is intended to provide for, or improve, several manufacturing activities, including

- the integration and sharing of data for cutting tools and assemblies between different stages of the manufacturing cycle and between different software applications,
- the direct import of data from cutting tool suppliers into a customer's database, and
- the management of cutting tool information from multiple sources and for multiple applications.

Different companies use different business models to determine their need for the communication of information about their products. For example, one cutting tool manufacturer can regrind its customers' tools while another could allow its customers to do the regrinding and provide the information to enable them to do so. Therefore, the two cutting tool manufacturers can have a different set of cutting tool properties to communicate using the information model and dictionaries provided in ISO 13399.

ISO 13399 defines only the information that could be communicated, but does not specify what information shall be communicated.

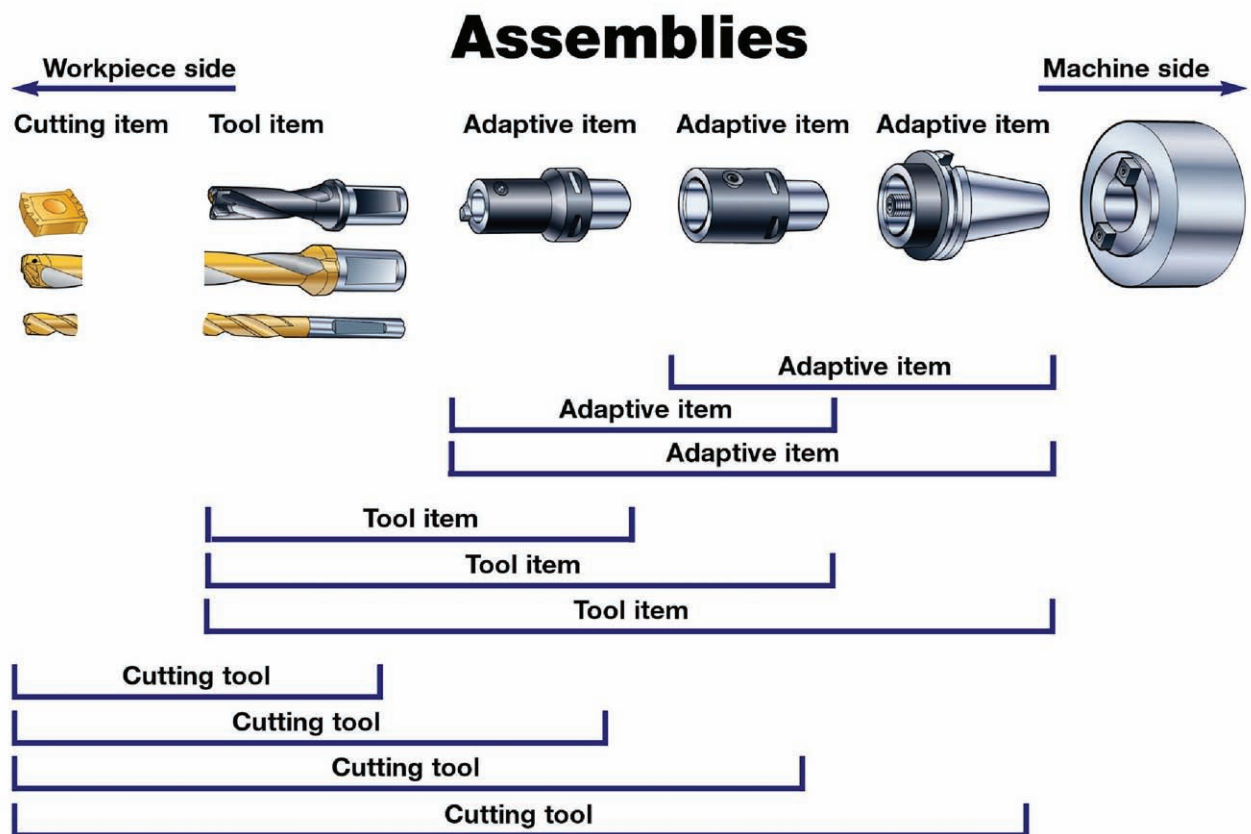


Figure 1 — Possible assemblies of the components of a cutting tool

Since the content of those dictionaries evolves according to industrial innovations and constant improvement of technology in cutting tools, a Maintenance Agency has been established for the purposes of

- correcting errors in the entries of existing classes and properties,
- adding new properties to existing classes,

ISO/TS 13399-3:2014(E)

- adding new classes and their properties,
- managing the status of those properties and classes, and
- migrating the dictionary to subsequent editions of ISO 13399 (all parts).

The secretariat of this Maintenance Agency has been assigned to

Union de Normalisation de la Mécanique

F-92038 Paris La Défense CEDEX

France

by the ISO Technical Management Board.

The website of the Maintenance Agency is available at: http://www.unm.fr/main/core.php?pag_id=135

The reference dictionaries are available in the form of EXPRESS files on the website of the Maintenance Agency. These files are considered complementary to this part of ISO 13399; they can be freely downloaded and used for cutting tool data representation and exchange.

The following permission notice and disclaimer shall be included in all copies of this EXPRESS schema ("the Schema"), and derivations of the Schema:

© ISO 2014 – All rights reserved

Permission is hereby granted, free of charge in perpetuity, to any person obtaining a copy of the Schema, to use, copy, modify, merge, and distribute free of charge copies of the Schema for the purposes of developing, implementing, installing, and using software based on the Schema, and to permit persons to whom the Schema is furnished to do so, subject to the following conditions:

THE SCHEMA IS PROVIDED "AS IS", WITHOUT WARRANTY OF ANY KIND, EXPRESSED OR IMPLIED, INCLUDING, BUT NOT LIMITED TO, THE WARRANTIES OF MERCHANTABILITY, FITNESS FOR A PARTICULAR PURPOSE AND NON-INFRINGEMENT. IN NO EVENT SHALL ISO, OR ANY OTHER LICENSOR THAT GRANTS THE RIGHT UNDER THE ABOVE PERMISSION TO USE THE SCHEMA, BE LIABLE FOR ANY CLAIM, DAMAGES OR OTHER LIABILITY, WHETHER IN AN ACTION OF CONTRACT, TORT OR OTHERWISE, ARISING FROM, OUT OF OR IN CONNECTION WITH THE SCHEMA OR THE USE OR OTHER DEALINGS IN THE SCHEMA.

In addition, any modified copy of the Schema shall include the following notice:

THIS SCHEMA HAS BEEN MODIFIED FROM THE SCHEMA DEFINED IN ISO 13399, AND SHOULD NOT BE INTERPRETED AS COMPLYING WITH THAT INTERNATIONAL STANDARD.

Cutting tool data representation and exchange —

Part 3: Reference dictionary for tool items

1 Scope

This part of ISO 13399 specifies a reference dictionary for tool items, together with their descriptive properties and domains of values.

This part of ISO 13399 specifies a reference dictionary containing:

- definitions and identifications of the classes of tool items and their features, with an associated classification scheme;
- definitions and identifications of the data element types that represents the properties of tool items and their features;
- definitions and identifications of domains of values for describing the above-mentioned data element types.

Each class, property, or domain of values of this application domain constitutes an entry of the reference dictionary defined in this part of ISO 13399. It is associated with a computer-sensible and human-readable definition, and with a computer-sensible identification. Identification of a dictionary entry allows unambiguous reference to it from any application that implements the information model defined in ISO 13399-1.

Definitions and identifications of dictionary entries are defined by means of standard data that consist of instances of the EXPRESS entity data types defined in the common dictionary schema, resulting from a joint effort between ISO/TC 184/SC 4 and IEC SC3D, and in its extensions defined in ISO 13584-24 and ISO 13584-25.

The following are within the scope of this part of ISO 13399:

- standard data that represent the various classes of tool items and tool item features;
- standard data that represent the various properties of tool items and tool item features;
- standard data that represent domains of values used for properties of tool items and tool item features;
- definition of cutting operations;
- definitions of reference systems for tool items and their properties;
- one implementation method by which the standard data defined in this part of ISO 13399 can be exchanged.

NOTE 1 The implementation method by which the standard data defined in this part of ISO 13399 can be exchanged is specified in ISO 10303-21.

The following are outside the scope of this part of ISO 13399:

- specialized or expert knowledge in the design and use of cutting tools;
- rules to determine what information should be communicated;

- applications where these standard data can be stored or referenced;
- implementation methods other than the one defined in this part of ISO 13399 by which the standard data can be exchanged and referenced;
- information model for cutting tools;
- definitions of classes and properties for cutting items;
- definitions of classes and properties for adaptive items;
- definitions of classes and properties for assembly items;
- definitions of classes and properties for connection systems;
- definitions of classes and properties for reference systems.

NOTE 2 The information model for cutting tools is defined in ISO 13399-1.

NOTE 3 The definitions of classes and properties for cutting items, adaptive items, and assembly items are provided in ISO/TS 13399-2, ISO/TS 13399-4, and ISO/TS 13399-5, respectively.

NOTE 4 The definitions of classes and properties for connection systems and reference systems are provided in ISO/TS 13399-50.

2 Normative references

The following documents, in whole or in part, are normatively referenced in this document and are indispensable for its application. For dated references, only the edition cited applies. For undated references, the latest edition of the referenced document (including any amendments) applies.

ISO 13584-1:2001, *Industrial automation systems and integration — Parts library — Part 1: Overview and fundamental principles*

ISO/IEC 8824-1, *Information technology — Abstract Syntax Notation One (ASN.1): Specification of basic notation*

ISO/TS 13399-100:2008, *Cutting tool data representation and exchange — Part 100: Definitions, principles and methods for reference dictionaries*

3 Terms and definitions

For the purposes of this document, the terms and definitions in ISO/TS 13399-100 (structure and contents of the dictionary) and the following apply.

NOTE The main collection of the terms and their definitions that relate to adaptive items and their properties is provided in [Annexes B](#) to [D](#).

3.1 applicable property

property that is defined for some family of items and that shall apply to any member of this family

[SOURCE: ISO 13584-24:2003]

3.2 basic semantic unit

entity that provides an absolute and universally unique identification of a certain object of the application domain that is represented as a dictionary element

[SOURCE: ISO 13584-42:2010, 3.4]

3.3 chip

material removed from a workpiece by a cutting process

[SOURCE: ISO/TS 13399-2:2014, 3.3]

3.4 cutting tool

device or assembly of items for removing material from a workpiece through a shearing action at the defined cutting edge or edges of the device

[SOURCE: ISO 13399-1:2006, 3.1]

Note 1 to entry: A cutting tool could be an assembly of one or more adaptive items, a tool item, and several cutting items on a tool item. See [Figure 1](#).

3.5 data

representation of information in a formal manner suitable for communication, interpretation, or processing by human beings or computers

[SOURCE: ISO 10303-1:1994, 3.2.14]

3.6 data element type

unit of data for which the identification, description, and value representation have been specified

[SOURCE: ISO 13584-42:2010, 3.13]

3.7 data exchange

storing, accessing, transferring, and archiving of data

[SOURCE: ISO 10303-1:1994, 3.2.15]

3.8 data type

domain of values

[SOURCE: ISO 10303-11:2004, 3.3.5]

3.9 dictionary

table consisting of a series of entries with one meaning corresponding to each entry in the dictionary and one dictionary entry identifying a single meaning

[SOURCE: ISO 13584-511:2006, 3.1.9]

Note 1 to entry: In the ISO 13399 series, a dictionary is a formal and computer-sensible representation of ontology.

3.10 entity

class of information defined by its attributes that establishes a domain of values defined by common attributes and constraints

[SOURCE: ISO/TS 13399-2:2014, 3.10]

3.11 entity data type

representation of an entity

[SOURCE: ISO/TS 13399-2:2014, 3.11]

3.12

entity instance

named unit of data that represents a unit of information within the class defined by an entity

Note 1 to entry: An entity instance is a member of the domain established by an entity data type.

[SOURCE: ISO/TS 13399-2:2014, 3.12]

3.13

family of products

set of products represented by the same characterization class

[SOURCE: ISO 13584-42:2010, 3.16]

3.14

implementation method

means for computers to exchange data

[SOURCE: ISO/TS 13399-2:2014, 3.14]

3.15

information

facts, concepts, or instructions

[SOURCE: ISO 10303-1:1994, 3.2.20]

3.16

information model

formal model of a bounded set of facts, concepts, or instructions to meet a specific requirement

[SOURCE: ISO 10303-1:1994, 3.2.21]

3.17

machine side

identification of a direction pointing towards the machine

3.18

machined surface

desired surface produced by the action of the cutting tool

[SOURCE: ISO 3002-1:1982, 3.1.2]

3.19

mirror plane

xz-plane in the coordinate axis system

[SOURCE: ISO/TS 13399-50:2013, 5.3.7]

3.20

ontology

explicit and consensual specification of concepts of an application domain independent of any use of these concepts

[SOURCE: ISO 13584-511:2006, 3.1.20]

Note 1 to entry: In the ISO 13399 series, a dictionary is the formal and computer-sensible representation of ontology.

3.21**primary coordinate system**

right-handed rectangular Cartesian coordinate system in three-dimensional space with three principal axes labelled X, Y, X

[SOURCE: ISO/TS 13399-50:2013, 5.3.1]

3.22**property**

defined parameter suitable for the description and differentiation of products

[SOURCE: ISO 13584-42:2010, 3.37]

3.23**transient surface**

part of the surface which is formed on the workpiece by the cutting edge and removed during the following cutting stroke, during the following revolution of the tool or workpiece, or by the following cutting edge

[SOURCE: ISO 3002-1:1982, 3.1.3]

3.24**visible property**

property that has a definition meaningful in the scope of a given characterization class, but that does not necessarily apply to the various products belonging to this class

[SOURCE: ISO 13584-42:2010, 3.46]

3.25**workpiece**

object on which a cutting action is performed

[SOURCE: ISO/TS 13399-2:2014, 3.24]

3.26**workpiece side**

identification of a direction pointing towards the workpiece

3.27**xy-plane**

plane in the coordinate axis system that contains the X and Y axes with the normal of the plane in the positive Z direction

[SOURCE: ISO/TS 13399-50:2013, 5.3.18]

3.28**xyw-plane**

plane in the coordinate axis system related to the xy-plane by the rotation angle PHI about the X axis in an anticlockwise (counter clockwise) direction and by a distance located at a distance XYWD from the origin of the coordinate axis system

[SOURCE: ISO/TS 13399-50:2013, 5.3.19]

3.29**xz-plane**

plane in the coordinate axis system that contains the X and Z axes with the normal of the plane in the positive Y direction

[SOURCE: ISO/TS 13399-50:2013, 5.3.20]

3.30

xzw-plane

plane in the coordinate system related to the xz-plane by the rotation angle KAPPA about the Z axis in a counter clockwise direction and located at a distance XZWD from the origin of the primary coordinate system

[SOURCE: ISO/TS 13399-50:2013, 5.3.21]

3.31

yz-plane

plane in the coordinate system that contains the Y and Z axes with the normal of the plane in the positive X direction

[SOURCE: ISO/TS 13399-50:2013, 5.3.22]

3.32

yzw-plane

plane in the coordinate system related to the yz-plane by the rotation angle RHO about the Y axis in a counter clockwise direction and located at a distance YZWD from the origin of the primary coordinate system

[SOURCE: ISO/TS 13399-50:2013, 5.3.23]

Note 1 to entry: The xzw-plane, the xyw-plane, and the yzw-plane are mutually perpendicular.

4 Abbreviated terms

For the purposes of this document, the following abbreviated terms apply.

BSU basic semantic unit

DET data element type

5 Representation of the ontology concepts as dictionary entries

5.1 General

In the following subclauses, a concept in the ontology is identified by a name in lower-case characters. The name of a class that represents the concept in the dictionary is identified by bold, lowercase characters with multiple words joined by an underscore character.

EXAMPLE “tool item type” is the name of a concept in the ontology. **tool_item_type** is the identifier of the class in the dictionary that represents the concept.

Data for tool items are grouped into two main classes: **tool_item_feature** and **tool_item_type**. The items in the classification of **tool_item_type** are identified by a label that is derived from the main application of a tool. However, it should be recognized that a tool can be used for more than one type of cutting operation. A **tool_item_feature** is an aspect of a **tool_item_type** that could not exist in isolation from the **tool_item_type**. A classification of cutting operations is also provided for completeness and to aid definitions.

Some of the definitions of properties that are applicable to tool items are defined in terms of a primary coordinate system. The coordinate system is the same for adaptive items, cutting items, and tool items and is defined in ISO/TS 13399-50. The applications of this coordinate system to tool items are described in this part of ISO 13399. All functional dimensions of a tool item that uses replaceable cutting items are defined on the assembly of the tool item and the master insert. The convention followed is “the tool in hand”.

Each entry in the dictionary, either a class or a property, is identified with a numerical code (BSU) that is generated at random when the dictionary is compiled. A BSU can be made unique by the addition of a code that is a reference to the supplier of the dictionary. Each classified item in 5.2, 5.3, and 5.4 is associated with its definition from the dictionary.

The structure of the classification is summarized in Annex B. The complete definitions of the tool item classes are provided in Annex C. The properties applicable to tool item classes are defined in Annex D.

5.2 Reference systems for tool items

The primary coordinate system used for tool items in this part of ISO 13399 is the same coordinate system as is defined in ISO/TS 13399-50. The additional reference entities relevant for tool items are as follows:

- **cutting_reference_point**;
- **feed_direction_primary**;
- **master_insert**;
- **prismatic_tool_item_position**;
- **round_tool_item_position**;
- **tool_cutting_edge_plane**;
- **tool_feed_plane**;
- **tool_rake_plane**.

5.2.1 cutting_reference_point is the theoretical sharp point of the cutting tool from which the major functional dimensions are taken.

NOTE 1 For the calculation of this point the following cases apply:

Case 1: For a tool cutting edge angle less than or equal to 90°, the point is the intersection of the **tool_cutting_edge_plane**, the **tool_feed_plane**, and the **tool_rake_plane**.

Case 2: For a tool cutting edge angle greater than 90°, the point is the intersection of the **tool feed_plane**, a plane perpendicular to the **tool_feed_plane** and tangential to the cutting corner, and the **tool_rake_plane**.

Case 3: For ISO tool styles D and V with only axial rake, the point is the intersection of a plane perpendicular to the primary feed direction and tangential to the cutting edge (tangential point), a plane parallel to the feed direction through the tangential point, and the **tool_rake_plane**.

Case 4a: For round inserts with one feed direction parallel to the tool axis, the point is the intersection of a plane perpendicular to the primary feed direction and tangential to the cutting edge (tangential point), a plane parallel to the feed direction through the tangential point, and the **tool_rake_plane**.

Case 4b: For round inserts with two feed directions, one parallel to the tool axis and one perpendicular to the tool axis with two **cutting_reference_point**, each point is the intersection of a plane perpendicular to its feed direction and tangential to the cutting edge (tangential point), a plane parallel to the feed direction through the tangential point, and the **tool_rake_plane**.

NOTE 2 In Case 3, the theoretical sharp corner of the insert and the **cutting_reference_point** are on the plane that is perpendicular to the **tool_feed_plane**.

5.2.2 feed_direction_primary is the direction of movement of a cutting tool to achieve the main cutting function of the tool.

5.2.3 master_insert is a nominal, replaceable cutting item that is used for defining the dimensions of a cutting tool.

NOTE 1 A master insert can substitute for either a regular or an irregular insert and uses the position of the item that it replaces.

NOTE 2 Definitions making use of a master insert also apply to solid or brazed tools.

5.2.4 prismatic_tool_item_position identifies the location of a prismatic tool item where

- the base of the tool item shall be coplanar with the XZ-plane,
- the normal for the base of the item shall be in the -Y direction,
- the rear backing surface shall be coplanar with the YZ-plane,
- the normal for the rear backing surface shall be in the -X direction,
- the end of the item shall be coplanar with the XY-plane,
- the normal for the end of the item shall be in the -Z direction, and
- the rake face of the primary cutting item shall be completely visible in the XZ quadrant.

NOTE 1 This definition applies to right-handed tool items. Left-handed tool items are as defined for right-handed items but mirrored through the YZ-plane.

NOTE 2 For cartridges, the top of the axial adjustment screw shall be coincident with the XY-plane.

5.2.5 round_tool_item_position identifies the location of a round tool item where

- the axis of the tool item shall be colinear with the Z-axis,
- the vector of the shank that points in the Z direction shall also point towards the workpiece side,
- the drive slots or clamping flats, if present, shall be parallel with the XZ-plane,
- the contact surface of the coupling, the gauge plane, or the end of the cylindrical shank shall be coplanar with the XY-plane, and
- the rake face of the primary cutting item shall be visible in the XZ quadrant.

NOTE 1 This definition applies to right-handed tool items. Left-handed tool items are as defined for right-handed tool items but mirrored through the YZ-plane.

NOTE 2 If a bore is present, the vector of the bore of the item that points in the Z direction shall also point towards the workpiece side.

5.2.6 tool_cutting_edge_plane is the plane perpendicular to the *xy*-plane through the major cutting edge of a master insert or of a solid tool.

5.2.7 tool_feed_plane is the plane perpendicular to the *xy*-plane that is parallel to the primary feed direction of the tool item and that is tangential to the cutting corner of the master insert or of a solid tool.

5.2.8 tool_rake_plane is the plane that contains the cutting edges of a master insert or of a solid tool.

5.3 tool_item_feature is a generic family of characteristics of a tool item that cannot exist independently of the tool item. **tool_item_feature** has the following subclasses:

- **chip_management;**
- **drill_point;**
- **guide_pilot_feature;**

- **pilot_drill_feature**;
- **tool_hub**.

5.3.1 chip_management is a generic class of features of the tool body or assembly to control the direction of motion of the chip channel exit.

End of the chip channel on the machine side.

5.3.2 drill_point is a part of a drill that first makes contact with the workpiece.

5.3.3 guide_pilot_feature is a portion of a cylindrical tool in front of the cutting portion that acts to limit the sideways movement of the tool in operation.

5.3.4 pilot_drill_feature is a part of a larger drill for guiding the main cutting operation.

5.3.5 tool_hub is a central part of a disk-shaped tool item with increased thickness.

5.4 tool_item_type is a generic family of items that support or hold one or more cutting items in a cutting operation. **tool_item_type** has the following subclasses:

- **broach**;
- **burr_tool**;
- **cartridge**;
- **drill**;
- **mill**;
- **ream**;
- **rotating_borer**;
- **threading_die**;
- **threading_tap**;
- **turn**.

5.4.1 broach is a family of items designed for use mainly in broaching operations. Broach has the following subclasses:

- **cylindrical_broach**;
- **disk_broach**;
- **prismatic_broach**;
- **tapered_broach**.

5.4.1.1 cylindrical_broach is a tool item used for changing the dimensions of an existing profile that has a constant circular cross section and cutting edges around the whole circumference.

5.4.1.2 disk_broach is a disk-shaped tool item used for changing the dimensions of an existing profile and that has the cutting edges on the periphery of the disk.

5.4.1.3 prismatic_broach is a tool item with a constant rectangular cross section used for changing the dimensions of an existing profile and that has cutting items on one side of the cross section.

5.4.1.4 tapered_broach is a tool item for changing the dimensions of an existing profile and that has continuously varying cross section with cutting edges surrounding the cross section.

NOTE The cross section can be rectangular, circular, or elliptical.

5.4.2 burr_tool is a small rotating tool for removing areas of roughness from a machined edge.

5.4.3 cartridge is a tool item that carries a solid cutting edge or locks a replaceable insert and is designed to be mounted onto either an adaptive item or a tool item.

5.4.4 drill is a family of items designed for use mainly in drilling operations. **drill** has the following subclasses:

- **centre_drill**;
- **chamfer_drill**;
- **conical_drill**;
- **core_drill**;
- **counterbore_drill**;
- **countersink_drill**;
- **deep_hole_drill**;
- **pilot_drill**;
- **step_drill**;
- **trepanning_drill**;
- **twist_drill**.

5.4.4.1 centre_drill is a tool item for creating a hole for the location of a subsequent operation.

NOTE This drill is usually a solid drill.

5.4.4.2 chamfer_drill is a tool item for creating a chamfer in or on a hole.

5.4.4.3 conical_drill is a tool item for forming a cone-shaped hole.

NOTE This drill is usually a solid drill.

5.4.4.4 core_drill is a tool item without a central cutting point or means of starting a hole.

NOTE The tool is used to enlarge an existing hole, for example, in a casting and has the characteristics of a reamer.

5.4.4.5 counterbore_drill is a tool item for creating a counterbore section of a hole.

5.4.4.6 countersink_drill is a tool item for creating a countersink section of a hole.

5.4.4.7 deep_hole_drill is a tool item for creating a hole usually deeper than 10 times the diameter of the tool item.

5.4.4.8 pilot_drill is a tool item that is added to a larger drill for guiding the main cutting operation.

5.4.4.9 step_drill is a tool item for creating a stepped hole.

5.4.4.10 trepanning_drill is a tool item used to cut a deep face groove leaving a plug of material equal to the inner diameter.

NOTE The tool can be small to leave a boss on a component or large to create a large hole but not produce all the material to swarf.

5.4.4.11 twist_drill is a solid drill with helical chip flutes.

5.4.5 mill is a family of rotating tool items intended mainly for use in milling operations. **mill** has the following subclasses:

- **double_half_side_mill**;
- **end_mill**;
- **face_mill**;
- **half_side_mill**;
- **ring_mill**;
- **slab_mill**;
- **slotting_cutter**;
- **threading_grooving_mill**.

5.4.5.1 double_half_side_mill is a milling cutter that cuts on both sides and part of the periphery and is used for enlarging an existing slot.

NOTE The Z-axis is perpendicular to the slot being enlarged; the cutting width is less than half the cutting diameter ($CW < CD/2$) and the mounting is normally a bore mount.

5.4.5.2 end_mill is a milling cutter with an integral shank.

NOTE The Z-axis is either perpendicular or parallel to the surface being machined and the tool has a cutting diameter of less than 150 mm ($CD < 150$ mm).

5.4.5.3 face_mill is a milling cutter that produces a flat surface on the workpiece although the cutting edges on the periphery remove most of the workpiece material.

NOTE The Z-axis is perpendicular to the surface being machined; there is one row of inserts; the mounting is usually a bore with transverse keyways and the depth of cut is less than the cutting diameter ($DOC < CD$).

5.4.5.4 half_side_mill is a milling cutter that cuts on the periphery and one side.

NOTE The Z-axis is perpendicular to the main workpiece surface being produced; the depth of cut is less than half the cutting diameter ($DOC < CD/2$) and the mounting is normally a bore mount.

5.4.5.5 ring_mill is a milling cutter that cuts on the internal annular surface and both sides.

NOTE The Z-axis is perpendicular to the slot being produced and the cutting width is less than half the cutting diameter ($CW < CD/2$).

5.4.5.6 slab_mill is a milling cutter with cutting edges on the periphery for machining large surfaces.

NOTE The tool axis is parallel to the workpiece surface; the mounting surface is a bore and the useable length is greater than cutting diameter ($LU > CD$).

5.4.5.7 slotting_cutter is a milling cutter that cuts on the periphery and both sides.

NOTE The Z-axis is perpendicular to the slot being produced; the cutting width is less than half the cutting diameter ($CW < CD/2$) and the mounting is normally a bore mount.

5.4.5.8 threading_grooving_mill is a milling cutter that cuts on its periphery to produce a groove or a thread.

NOTE The Z-axis is parallel to the groove width or to the axis of thread being cut and the mill can either be designed with an integral shank or with a bore mount.

5.4.6 ream is a family of items designed for use mainly in reaming operations. **ream** has the following subclasses:

- **cylindrical_reamer**;
- **profile_reamer**;
- **stepped_reamer**;
- **tapered_reamer**.

5.4.6.1 cylindrical_reamer is a tool item used for reaming a cylindrical surface.

5.4.6.2 profile_reamer is a tool item for reaming a non-regular surface.

5.4.6.3 stepped_reamer is a tool item for reaming a hole with more than one diameter.

5.4.6.4 tapered_reamer is a tool item for reaming a conical hole.

5.4.7 rotating_borer is an assembly of cutting item or items, tool item or items, and adaptive item or items to enlarge an existing hole.

5.4.8 threading_die is a family of items used for external threading operations. **threading_die** has the following subclasses:

- **cylindrical_die**;
- **hexagonal_die**.

5.4.8.1 cylindrical_die is a threading die whose outside shape is cylindrical.

5.4.8.2 hexagonal_die is a threading die whose outside shape is hexagonal.

5.4.9 threading_tap is a family of items designed to form an internal thread in an existing hole in a workpiece. **threading_tap** has the following subclasses:

- **conical_tap**;
- **cylindrical_tap**.

5.4.9.1 conical_tap is a tool item that creates tapered internal threads.

5.4.9.2 cylindrical_tap is a tool item that creates internal cylindrical threads.

5.4.10 turn is a family of items designed for use mainly in turning and boring operations. **turn** has the following subclasses:

- **boring_bar**;
- **prismatic_tool_holder**;
- **system_tool**.

5.4.10.1 boring_bar is a tool item with cylindrical cross section shank mainly used for internal turning operations.

5.4.10.2 prismatic_tool_holder is a tool item with prismatic cross section shank mainly used for external turning operations.

NOTE The class includes, but is not limited to, square and rectangular shanks.

5.4.10.3 system_tool is a tool item with manufacturer-specific connection used for external and/or internal turning operations.

6 Properties for tool item features and tool item types

The properties that are applicable to items defined in [Clause 5](#) are defined in [Annex D](#), where the association of a property with a class is also specified. In the compilation of the dictionary, all properties are visible properties at the root class of the dictionary and are made applicable properties at the class level where they apply. The names of properties that can be applicable to tool item features and tool item types, with their identification codes (BSU), are shown in [Table 1](#). The order of the names in the table should be read in rows from left to right.

NOTE 1 The value domains for properties are specified in ISO/TS 13399-100.

NOTE 2 The BSU can be made unique by the addition of the code for the supplier of the dictionary as a prefix to the identification code.

EXAMPLE The unique BSU for **a dimension on lf** would be: 0112/1///13399__2-71D0793ECE F9A for version two of the dictionary.

Table 1 — Names of properties for tool items

Property name	Identification code (BSU)
a dimension on lf	71D0793ECE F9A
a dimension on wf	71CF299431CAC
adjustability	71EBBA9E78025
axial groove outside diameter maximum	71D07543FD182
axial groove outside diameter minimum	71CF299354332
balance quality code	71DF151EA5CF1
balanced by design	71EAC0CAB861F
blade reinforcement radius	71CF2992DBC44
body clearance depth	71EAC81F88336
body diameter	71ED6A9AF7D1D
body diameter maximum	71D08462F8185
body half taper angle	71EAC472BD116
body height	71EBB332C60EB

Table 1 (continued)

Property name	Identification code (BSU)
body length	71ED6AA478A3D
body length maximum	71DCD3B16750B
body material code	71DF1523224D8
body width	71EBB33230236
burr type code	71DF1523869EE
cartridge size code	71DF1523EE184
clamping length	71EBAF896BE9A
clamping length maximum	71ED6E54B15C4
clamping length minimum	71EBB339ED2BD
clamping type code	71CF298EEB4F5
clamping width	71EBAF85006BD
clearance angle axial	71EAC83CD450B
clearance angle normal	71ED6E5CD0DAE
clearance angle orthogonal	71D08418C3B4D
clearance angle radial	71EAC83B73825
coating property	71DD703B84298
connection bore depth	71EAC48CAD407
connection bore diameter	71E01D92C41E8
connection code machine side	71D102AE3B252
connection code workpiece side	71D102AE8A5A9
connection count workpiece side	71EDD2C17746F
connection diameter	71EBDBF5060E6
connection retention knob thread size	71CF298A76B66
connection size code	71FC193318002
connection unit basis	71ED6E16D5978
contact surface diameter machine side	71D087D97FCE3
coolant supply property	71EBB342CC751
cutting depth maximum	71CEAEBD5A66A
cutting diameter	71D084653E57F
cutting diameter internal	71D0846545C4E
cutting diameter internal maximum	71D0846570977
cutting diameter internal minimum	71D084655A2F7
cutting diameter maximum	71D084656CE32
cutting diameter minimum	71D0846556288
cutting diameter size code	71DF1527D828C
cutting edge centre count	71DCD0033973E
cutting end count	71DCD00CBBC2A
cutting item count	71DF8C52B8926
cutting length at minimum bore diameter	71CF299287FD3
cutting pitch density	71DF15283219C
cutting pitch differential	71DF152D8CF7D

Table 1 (continued)

Property name	Identification code (BSU)
cutting width	71CEAEBE2B825
cutting width maximum	71D07569F8BC3
cutting width minimum	71D0756A28B42
damping property	71CED03D70452
data chip provision	71CF29869CA0F
depth of cut maximum	71D07576C0558
design configuration style code	71CF2993DC583
drill back taper	71EAC81AD9AE1
drive angle	71D08096F930C
drive count	71E0306423B2A
drop head design	71EAC49F75413
face effective cutting edge count	71DCD00239812
face mounted insert count	71DCD0029BBE7
flute count	71DCCFEBB883E
flute design code	71DCCFEC645BD
flute helix angle	71DCCFEC20115
flute helix hand	71DCCFF654756
flute helix pitch	71DCCFF6A1A13
fluted land width	71EAC8210DF36
functional height	71CF29994E737
functional length	71DCD39338974
functional length minimum	71EBC1EB8456A
functional length secondary	71D078F5BEDBE
functional width	71CF29984CDA7
functional width 2	71D193F495583
functional width secondary	71CF299874B1E
groove depth minimum bore diameter	71CF298FB10E4
guide element property	71EE070696F08
guide pilot diameter	71ED6A7A6E6A2
hand	71CF29872F0AB
head back offset length	71D075730A82B
head back offset width	71D075731F172
head bottom offset height	71CF298F073D3
head bottom offset length	71CF298F4E487
head diameter	71E03062EC034
head length	71D07574A61E8
hub diameter	71D087D3B17B0
hub property	71DF5C078FF46
hub thickness	71D087D3F5E07
inclination angle	71D075754F8A3
insert adjustable count	71DF1538E7378

Table 1 (continued)

Property name	Identification code (BSU)
insert interface code	71CE7A9936610
insert seat size code	71CEAEBF2A69F
overlapping capability	71DF1526AC952
keyway property	71DF5C0761888
length chip flute	71DCCC27DEF53
master insert identification	71CF298FDE0EF
minimum bore diameter	71D07543367C5
mounting hole angle	71EAC0F064E2D
mounting hole distance	71EAC0E9FA4CD
mounting hole distance 2	71EAC0EF68BB7
mounting hole height	71EAC0EFA1BF3
neck diameter	71EAC48EC5DE0
neck length	71EBC1E026769
overall height	71D078EB73E87
overall length	71D078EB7C086
overall length minimum	71EBC1E8857BE
overall width	71CF299257986
peripheral effective cutting edge count	71DCCFF75E485
peripheral mounted insert count	71DCD00054F65
pilot drill protrusion	71EAC49030828
pilot protruding length	71DCCFD24119E
tap chamfer point diameter	71EBC1EA293DC
tap chamfer style	71E02C679DC6D
plunge depth maximum	71D08099F1DDC
point angle	71DCCC4FEF366
point length	71DCCFD064042
premachined hole diameter	71DCCC5A4FD18
profile specification	71DF8C5D91804
protruding length	71DCD394BB20E
qualified tool code	71D078ED2C21E
rake angle axial	71CF29990C41F
rake angle normal	71CF2998EBD46
rake angle orthogonal	71D0808F8F719
rake angle radial	71CF2998A1609
ramping angle maximum	71DF1538632D9
rotational speed maximum	71DF153A691F2
row identifier	71CED04867743
shank cross section shape code	71CF2988A5874
shank diameter	71CF29862B277
shank height	71CF29883E014
shank length	71CF298870946

Table 1 (continued)

Property name	Identification code (BSU)
shank width	71CF298751FCF
shim inclination angle	71FAE074D2EBD
step count	71DCCC3BD1B96
step diameter length	71DCCC3DFA23A
step distance	71DCCC47221E0
step included angle	71DF151D6E547
stock removal maximum	71EBC1EC0BB22
stock removal minimum	71EBC1EBC839F
stock removal recommended	71EBC1EC3E8B6
tangentially mounted insert	71EAC496E7425
tap type identifier	71DF153B4ABCD
taper angle	71EAC4A2B6544
taper gradient	71CEAEC02FEED
tapered	71EC659C9B3CE
thread diameter	71E02C5C2EED3
thread diameter size	71EBBAA3BCA70
thread tolerance class	71DF153FA5F85
tool changer interference diameter maximum	71CF298A3A99A
tool changer interference length minimum	71CF2989AF0E0
tool cutting edge angle	71D078F683C9B
tool cutting edge angle type code	71D078F6E9893
tool holder shape code	71D078FD4E7BE
tool lead angle	71D078F77616B
tool style code	71D078FBF6C68
unit system	71EBBA9ED6C0A
usable length	71EBB33490FDA
usable length diameter ratio	71DCCC62CD9EE
usable length maximum	71CF2992BDBCC
web taper	71EAC823D95A7
web thickness	71EAC82313165
weight of item	71CED03C97AAB
work piece parting diameter maximum	71D0757C787B8

Annex A **(normative)**

Information object registration

A.1 Document identification

In order to provide for unambiguous identification of an information object in an open system, the object identifier:

{iso technical specification 13399 part (3) version (2)}

is assigned to this part of ISO 13399.

The meaning of this value is defined in ISO/IEC 8824-1 and is described in ISO 13584-1.

A.2 Dictionary identification

The dictionary defined in this part of ISO 13399 is assigned the object identifier:

{iso technical specification 13399 part (3) version (2) object (2) tool items (2)}

Annex B (informative)

Classification tables

[Table B.1](#) shows the classification structure of the generic families in the dictionary with an expanded structure for the classes of connection interface feature, cutting operation, reference system, tool item feature, and tool item type. The purpose of the table is to show the relationships between the classes of cutting items and the other classes in the ISO 13399 series.

NOTE [Annex C](#) contains the definition of all the classes that are relevant to tool items and definitions of those classes of reference systems that are used in the definition of the properties of tool item types.

Table B.1

Classification structure	Parent	BSU
cutting tool library	Root	71CE7A72B6DA7
adaptive item type	71CE7A72B6DA7	71EAD37F18F34
adjustment	71CE7A72B6DA7	71ED884159C90
assembly item type	71CE7A72B6DA7	71CE7A795C05C
bolt hole circle	71CE7A72B6DA7	71E02520881F1
connection interface feature	71CE7A72B6DA7	71DF8C37D9115
coolant supply	71CE7A72B6DA7	71DF8C3C065EB
cutting item feature	71CE7A72B6DA7	71DD6C82F72DA
cutting item type	71CE7A72B6DA7	71D1AA6C8FC75
cutting operation	71CE7A72B6DA7	71DF83D21D50
cutting tool	71CE7A72B6DA7	71CE7A7A5038B
flange	71CE7A72B6DA7	71EC5A767182E
keyway	71CE7A72B6DA7	71DF5C026BCE7
locking mechanism	71CE7A72B6DA7	71EBAB85BB5FA
reference system	71CE7A72B6DA7	71CF2968F7A9E
runout axial	71CE7A72B6DA7	71EDD2B84143C
runout radial	71CE7A72B6DA7	71EDD2B858274
tool item feature	71CE7A72B6DA7	71DD70376771D
chip management	71DD70376771D	71DF8C3FD03AF
drill point	71DD70376771D	71DF8C5B8F7B5
guide pilot feature	71DD70376771D	71E019C497CDF
pilot drill feature	71DD70376771D	71EE070754DE2
tool hub	71DD70376771D	71DF5C02D0271
tool item type	71CE7A72B6DA7	71E01A004C775
broach	71E01A004C775	71E01A04C377D
cylindrical broach	71E01A04C377D	71E0250E32A07
disk broach	71E01A04C377D	71E01A082DE72
prismatic broach	71E01A04C377D	71E01A0838E9B

Table B.1

Classification structure	Parent	BSU
tapered broach	71E01A04C377D	71E01A081855D
burr tool	71E01A004C775	71E02C544BABE
cartridge	71E01A004C775	71D1066F279AD
drill	71E01A004C775	71E01A00BD93C
centre drill	71E01A00BD93C	71E01A073CA28
chamfer drill	71E01A00BD93C	71E01A069566C
conical drill	71E01A00BD93C	71E01A0751456
core drill	71E01A00BD93C	71FAE7AAE8247
counterbore drill	71E01A00BD93C	71E01A06BF88D
countersink drill	71E01A00BD93C	71E01A06A8A08
deep hole drill	71E01A00BD93C	71E01A065F635
pilot drill	71E01A00BD93C	71E01D8A88F65
step drill	71E01A00BD93C	71E01A067F73C
trepanning drill	71E01A00BD93C	71E01A0769982
twist drill	71E01A00BD93C	71E01A0608FE4
mill	71E01A004C775	71E01A008D13F
double half side mill	71E01A008D13F	71EF07DFC283C
end mill	71E01A008D13F	71E01A05D27A8
face mill	71E01A008D13F	71E01A05B627B
half side mill	71E01A008D13F	71E01A05EA320
ring mill	71E01A008D13F	71E01A0600702
slab mill	71E01A008D13F	71E01A0540BE7
slotting cutter	71E01A008D13F	71EF07E037025
threading grooving mill	71E01A008D13F	71EF07E083383
ream	71E01A004C775	71E01A04A8AEC
cylindrical reamer	71E01A04A8AEC	71E01A07BC535
profile reamer	71E01A04A8AEC	71E01A07ECCCF
stepped reamer	71E01A04A8AEC	71E01A07FF350
tapered reamer	71E01A04A8AEC	71E01A07D2A1B
rotating borer	71E01A004C775	71E0251F304E1
threading die	71E01A004C775	71E01A04F70F7
cylindrical die	71E01A04F70F7	71E01A0E4EE75
hexagonal die	71E01A04F70F7	71E01A0E79239
threading tap	71E01A004C775	71E01A04E0236
conical tap	71E01A04E0236	71E01A0E34C7F
cylindrical tap	71E01A04E0236	71E01A0A5355D
turn	71E01A004C775	71E01A05104CF
boring bar	71E01A05104CF	71E01A0E9CBA9
prismatic tool holder	71E01A05104CF	71E01A0E85121
system tool	71E01A05104CF	71E01A0EAF067

Table B.1

Classification structure	Parent	BSU
tool thread external	71CE7A72B6DA7	71FC1D22BF4CD
tool thread internal	71CE7A72B6DA7	71FC1D25097D7

Annex C (informative)

Class definitions

The content of this annex is limited to the classes of connection interface feature, cutting operation, reference system, tool item feature, and tool item type.

The layout of the information for each class in this annex is

BSU Code – version number	Revision number
Preferred name	Short name
Definition	
NOTE	
REMARKS	
Subclasses:	
Properties:	
71DD70376771D-001	001
tool item feature	tif
characteristic of a tool item that cannot exist independently of the tool item	
Subclasses:	
71DF8C3FD03AF-001	chip management
71DF8C5B8F7B5-002	drill point
71E019C497CDF-001	guide pilot feature
71EE070754DE2-001	pilot drill feature
71DF5C02D0271-001	tool hub
71DF8C3FD03AF-001	001
chip management	chpmg
feature of the tool body or assembly to control the direction of motion of the chip	
Properties:	
71DCCFEC645BD-001	flute design code
71DCCFEC20115-002	flute helix angle
71DCCFF654756-001	flute helix hand
71DCCFF6A1A13-001	flute helix pitch

71DCCC27DEF53-001 length chip flute

71DF8C5B8F7B5-002 001

drill point dpt

part of a drill that first makes contact with the workpiece

Properties:

71DCCC4FEF366-001 point angle

71DCCFD064042-001 point length

71E019C497CDF-001 001

guide pilot feature gpy

portion of a cylindrical tool in front of the cutting portion that acts to limit the sideways movement of the tool in operation

Properties:

71ED6A7A6E6A2-001 guide pilot diameter

71DCCFD24119E-001 pilot protruding length

71EE070754DE2-001 001

pilot drill feature pdrl

part of a larger drill for guiding the main cutting operation

Properties:

71EAC49030828-001 pilot drill protrusion

71DF5C02D0271-001 001

tool hub tihub

central part of a disk-shaped tool item with increased thickness

Properties:

71D087D3B17B0-001 hub diameter

71D087D3F5E07-001 hub thickness

71E01A004C775-002 001

tool item type titp

family of items that support or hold one or more cutting items in a cutting operation

NOTE Dimensions and properties of tool items assume the presence of at least one master insert.

ISO/TS 13399-3:2014(E)

Subclasses:

71E01A04C377D-002	broach
71E02C544BABE-002	burr tool
71D1066F279AD-002	cartridge
71E01A00BD93C-002	drill
71E01A008D13F-002	mill
71E01A04A8AEC-002	ream
71E0251F304E1-002	rotating borer
71E01A04F70F7-002	threading die
71E01A04E0236-003	threading tap
71E01A05104CF-002	turn

Properties:

71DF1523224D8-001	body material code
71DD703B84298-001	coating property
71D102AE3B252-001	connection code machine side
71FC193318002-001	connection size code
71ED6E16D5978-001	connection unit basis
71EBB342CC751-001	coolant supply property
71DF8C52B8926-001	cutting item count
71CF29869CA0F-001	data chip provision
71CF29872F0AB-001	hand
71CE7A9936610-001	insert interface code
71CF298FDE0EF-001	master insert identification
71D078EB7C086-002	overall length
71D078FBF6C68-001	tool style code
71EBBA9ED6C0A-001	unit system
71CED03C97AAB-001	weight of item

71E01A04C377D-002

001

broach

broach

family of items designed for use mainly in broaching operations

Subclasses:

71E0250E32A07-002	cylindrical broach
-------------------	--------------------

71E01A082DE72-001	disk broach
71E01A0838E9B-001	prismatic broach
71E01A081855D-002	tapered broach
Properties:	
71EBBA9E78025-002	adjustability
71DF1523EE184-001	cartridge size code
71CF298EEB4F5-001	clamping type code
71EAC83CD450B-002	clearance angle axial
71EAC83B73825-002	clearance angle radial
71D102AE8A5A9-001	connection code workpiece side
71EBDBF5060E6-001	connection diameter
71DF15283219C-001	cutting pitch density
71DF152D8CF7D-001	cutting pitch differential
71D08096F930C-001	drive angle
71DCCFE8B883E-001	flute count
71DCD39338974-001	functional length
71DF1538E7378-001	insert adjustable count
71CEAEBF2A69F-001	insert seat size code
71DF5C0761888-001	keyway property
71DCD394BB20E-002	protruding length
71CF29990C41F-002	rake angle axial
71CF2998A1609-002	rake angle radial
71EBC1EC0BB22-001	stock removal maximum
71EBC1EBC839F-001	stock removal minimum
71EBC1EC3E8B6-001	stock removal recommended
71EAC496E7425-001	tangentially mounted insert

71E0250E32A07-002 001

cylindrical broach cylbch

tool item used for changing the dimensions of an existing profile that has a constant circular cross section and cutting edges around the whole circumference

Properties:

71DF151EA5CF1-001	balance quality code
71EAC0CAB861F-001	balanced by design

ISO/TS 13399-3:2014(E)

71D08462F8185-001	body diameter maximum
71DCD3B16750B-002	body length maximum
71EAC48CAD407-001	connection bore depth
71E01D92C41E8-001	connection bore diameter
71CF298A76B66-001	connection retention knob thread size
71D087D97FCE3-001	contact surface diameter machine side
71D084653E57F-001	cutting diameter
71CED03D70452-001	damping property
71D07576C0558-001	depth of cut maximum
71DCD00239812-001	face effective cutting edge count
71DCD0029BBE7-001	face mounted insert count
71DCCFF75E485-001	peripheral effective cutting edge count
71DCD00054F65-001	peripheral mounted insert count
71DCCC5A4FD18-001	premachined hole diameter
71CED04867743-001	row identifier
71CF29862B277-001	shank diameter
71CF298870946-001	shank length
71CF298A3A99A-001	tool changer interference diameter maximum
71CF2989AF0E0-001	tool changer interference length minimum
71CF2992BDBCC-001	usable length maximum

71E01A082DE72-001 001

disk broach dskbroach

disk-shaped tool item used for changing the dimensions of an existing profile and that has the cutting edges on the periphery of the disk

Properties:

71ED6A9AF7D1D-001	body diameter
71D08462F8185-001	body diameter maximum
71EBB332C60EB-002	body height
71EAC48CAD407-001	connection bore depth
71E01D92C41E8-001	connection bore diameter
71D084653E57F-001	cutting diameter
71D084656CE32-001	cutting diameter maximum
71D0846556288-001	cutting diameter minimum

71CEAEBE2B825-001	cutting width
71D07569F8BC3-001	cutting width maximum
71D0756A28B42-001	cutting width minimum

71E01A0838E9B-001 001

prismatic broach psmbroach

tool item with a constant rectangular cross section used for changing the dimensions of an existing profile and that has cutting items on one side of the cross section

Properties:

71EBB332C60EB-002	body height
71ED6AA478A3D-002	body length
71DCD3B16750B-002	body length maximum
71EBB33230236-002	body width
71EBAF85006BD-001	clamping width
71ED6E5CD0DAE-001	clearance angle normal
71D08418C3B4D-001	clearance angle orthogonal
71CEAEBE2B825-001	cutting width
71CF29994E737-002	functional height
71D078EB73E87-002	overall height
71CF299257986-002	overall width
71CF29883E014-001	shank height
71CF298870946-001	shank length
71CF298751FCF-001	shank width
71EBB33490FDA-001	usable length
71CF2992BDBCC-001	usable length maximum

71E01A081855D-002 001

tapered broach tpbroach

tool item for changing the dimensions of an existing profile and that has continuously varying cross section with cutting edges surrounding the cross section

NOTE The cross section can be rectangular, circular, or elliptical.

Properties:

71ED6A9AF7D1D-001	body diameter
71D08462F8185-001	body diameter maximum

ISO/TS 13399-3:2014(E)

71ED6AA478A3D-002	body length
71DCD3B16750B-002	body length maximum
71CF298A76B66-001	connection retention knob thread size
71D084653E57F-001	cutting diameter
71D084656CE32-001	cutting diameter maximum
71D0846556288-001	cutting diameter minimum
71DCCC5A4FD18-001	premachined hole diameter
71CED04867743-001	row identifier
71CF29862B277-001	shank diameter
71CF298870946-001	shank length
71EAC4A2B6544-001	taper angle
71CEAEC02FEBD-001	taper gradient
71EC659C9B3CE-001	tapered
71EBB33490FDA-001	usable length
71CF2992BDBCC-001	usable length maximum

71E02C544BABE-002 001

burr tool burr

small rotating tool item for removing areas of roughness from a machined edge

Properties:

71ED6A9AF7D1D-001	body diameter
71DF1523869EE-001	burr type code
71D084653E57F-001	cutting diameter
71DCD39338974-001	functional length
71CF29862B277-001	shank diameter
71CF298870946-001	shank length
71EBB33490FDA-001	usable length
71CF2992BDBCC-001	usable length maximum

71D1066F279AD-002 001

cartridge cartridge

tool item that carries a solid cutting edge or locks a replaceable insert and is designed to be mounted onto either an adaptive item or a tool item

Properties:

71D0793ECE9A-001	a dimension on lf
71CF299431CAC-001	a dimension on wf
71EBBA9E78025-002	adjustability
71D07543FD182-001	axial groove outside diameter maximum
71CF299354332-001	axial groove outside diameter minimum
71CF2992DBC44-001	blade reinforcement radius
71EBB332C60EB-002	body height
71ED6AA478A3D-002	body length
71EBB33230236-002	body width
71DF1523EE184-001	cartridge size code
71CF298EEB4F5-001	clamping type code
71EAC83CD450B-002	clearance angle axial
71ED6E5CD0DAE-001	clearance angle normal
71D08418C3B4D-001	clearance angle orthogonal
71EAC83B73825-002	clearance angle radial
71CEAEBE2B825-001	cutting width
71D07569F8BC3-001	cutting width maximum
71D0756A28B42-001	cutting width minimum
71CF29994E737-002	functional height
71DCD39338974-001	functional length
71D078F5BEDBE-002	functional length secondary
71CF29984CDA7-001	functional width
71D193F495583-001	functional width 2
71CF299874B1E-002	functional width secondary
71D075730A82B-001	head back offset length
71D075731F172-001	head back offset width
71CF298F073D3-002	head bottom offset height
71CF298F4E487-001	head bottom offset length
71D07574A61E8-001	head length
71D075754F8A3-002	inclination angle
71CEAEBF2A69F-001	insert seat size code
71D07543367C5-001	minimum bore diameter
71EAC0F064E2D-002	mounting hole angle

ISO/TS 13399-3:2014(E)

71EAC0E9FA4CD-001	mounting hole distance
71EAC0EF68BB7-001	mounting hole distance 2
71EAC0EFA1BF3-001	mounting hole height
71D078EB73E87-002	overall height
71CF299257986-002	overall width
71CF29990C41F-002	rake angle axial
71CF2998EBD46-002	rake angle normal
71D0808F8F719-002	rake angle orthogonal
71CF2998A1609-002	rake angle radial
71CF2988A5874-002	shank cross section shape code
71CF29883E014-001	shank height
71CF298870946-001	shank length
71CF298751FCF-001	shank width
71EAC496E7425-001	tangentially mounted insert
71D078F683C9B-002	tool cutting edge angle
71D078F6E9893-002	tool cutting edge angle type code
71D078FD4E7BE-001	tool holder shape code
71D078F77616B-002	tool lead angle
71D0757C787B8-001	work piece parting diameter maximum

71E01A00BD93C-002 001 **drill drill**

family of items designed for use mainly in drilling operations

Subclasses:

71E01A073CA28-002	centre drill
71E01A069566C-002	chamfer drill
71E01A0751456-002	conical drill
71FAE7AAE8247-001	core drill
71E01A06BF88D-002	counterbore drill
71E01A06A8A08-002	countersink drill
71E01A065F635-002	deep hole drill
71E01D8A88F65-002	pilot drill
71E01A067F73C-002	step drill

71E01A0769982-002	trepanning drill
71E01A0608FE4-002	twist drill
Properties:	
71DF151EA5CF1-001	balance quality code
71EAC0CAB861F-001	balanced by design
71ED6A9AF7D1D-001	body diameter
71D08462F8185-001	body diameter maximum
71DCD3B16750B-002	body length maximum
71CF298EEB4F5-001	clamping type code
71EAC83CD450B-002	clearance angle axial
71EAC83B73825-002	clearance angle radial
71D102AE8A5A9-001	connection code workpiece side
71EBDBF5060E6-001	connection diameter
71CF298A76B66-001	connection retention knob thread size
71D087D97FCE3-001	contact surface diameter machine side
71D084653E57F-001	cutting diameter
71D084656CE32-001	cutting diameter maximum
71D0846556288-001	cutting diameter minimum
71D08096F930C-001	drive angle
71DCD00239812-001	face effective cutting edge count
71DCD0029BBE7-001	face mounted insert count
71DCCFEBB883E-001	flute count
71DCD39338974-001	functional length
71CEAEBF2A69F-001	insert seat size code
71DCD394BB20E-002	protruding length
71CF29990C41F-002	rake angle axial
71CF2998A1609-002	rake angle radial
71DF153A691F2-002	rotational speed maximum
71CF29862B277-001	shank diameter
71CF298870946-001	shank length
71EAC496E7425-001	tangentially mounted insert
71CF298A3A99A-001	tool changer interference diameter maximum
71CF2989AF0E0-001	tool changer interference length minimum

ISO/TS 13399-3:2014(E)

71EBB33490FDA-001	usable length
71CF2992BDBCC-001	usable length maximum

71E01A073CA28-002 001

centre drill cntdrill

tool item for creating a hole for the location of a subsequent operation

REMARKS This drill is usually a solid drill.

Properties:

71DCD00CBBC2A-001	cutting end count
71DCCC3BD1B96-0012	step count
71DCCC3DFA23A-001	step diameter length
71DCCC47221E0-002	step distance
71DF151D6E547-002	step included angle

71E01A069566C-002 001

chamfer drill cfdrill

tool item for creating a chamfer in or on a hole

Properties:

71EAC81F88336-001	body clearance depth
71ED6AA478A3D-002	body length
71DF1538E7378-001	insert adjustable count
71EAC48EC5DE0-001	neck diameter
71EBC1E026769-001	neck length
71DCCC5A4FD18-001	premachined hole diameter

71E01A0751456-002 001

conical drill cnldrill

tool item for forming a cone-shaped hole

REMARKS This drill is usually a solid drill.

Properties:

71EAC81F88336-001	body clearance depth
71EAC8210DF36-001	fluted land width
71DF1538E7378-001	insert adjustable count

71EAC4A2B6544-001	taper angle
71CEAEC02FEBD-001	taper gradient
71EC659C9B3CE-001	tapered
71DCCC62CD9EE-001	usable length diameter ratio
71EAC823D95A7-001	web taper
71EAC82313165-001	web thickness

71FAE7AAE8247-001 001

core drill crdrl

tool item without a central cutting point or means of starting a hole

NOTE The tool is used to enlarge an existing hole, for example, in a casting and has the characteristics of a reamer.

Properties:

71EAC81F88336-001	body clearance depth
71EAC8210DF36-001	fluted land width
71DF1538E7378-001	insert adjustable count
71DCCC62CD9EE-001	usable length diameter ratio

71E01A06BF88D-002 001

counterbore drill cbdrill

tool item for creating a counterbore section of a hole

Properties:

71EAC81F88336-001	body clearance depth
71ED6AA478A3D-002	body length
71EAC48CAD407-001	connection bore depth
71E01D92C41E8-001	connection bore diameter
71EE070696F08-001	guide element property
71E03062EC034-001	head diameter
71D07574A61E8-001	head length
71DF1538E7378-001	insert adjustable count
71DF5C0761888-001	keyway property
71EAC48EC5DE0-001	neck diameter
71EBC1E026769-001	neck length
71DCCC5A4FD18-001	premachined hole diameter

ISO/TS 13399-3:2014(E)

71DCCC62CD9EE-001 usable length diameter ratio

71E01A06A8A08-002 001

countersink drill cskdrill

tool item for creating a countersink section of a hole

Properties:

71EAC81F88336-001 body clearance depth
71ED6AA478A3D-002 body length
71EAC48CAD407-001 connection bore depth
71E01D92C41E8-001 connection bore diameter
71EE070696F08-001 guide element property
71E03062EC034-001 head diameter
71D07574A61E8-001 head length
71DF1538E7378-001 insert adjustable count
71DF5C0761888-001 keyway property
71EAC48EC5DE0-001 neck diameter
71EBC1E026769-001 neck length
71DCCC5A4FD18-001 premachined hole diameter
71EAC4A2B6544-001 taper angle
71CEAEC02FEBD-001 taper gradient
71EC659C9B3CE-001 tapered
71DCCC62CD9EE-001 usable length diameter ratio

71E01A065F635-002 001

deep hole drill dhdrill

tool item for creating a hole usually deeper than 10 times the diameter of the tool item

Properties:

71EE070696F08-001 guide element property
71E03062EC034-001 head diameter
71D07574A61E8-001 head length
71DF1538E7378-001 insert adjustable count
71DCCC62CD9EE-001 usable length diameter ratio

71E01D8A88F65-002 **001**

pilot drill **pilot**

tool item that is added to a larger drill for guiding the main cutting operation

Properties:

71DF1538E7378-001 insert adjustable count

71E01A067F73C-002 **001**

step drill **stpdrill**

tool item for creating a stepped hole

Properties:

71EAC81F88336-001 body clearance depth
 71ED6AA478A3D-002 body length
 71EAC8210DF36-001 fluted land width
 71EE070696F08-001 guide element property
 71DF1538E7378-001 insert adjustable count
 71DCCC3BD1B96-002 step count
 71DCCC3DFA23A-001 step diameter length
 71DCCC47221E0-002 step distance
 71DF151D6E547-002 step included angle
 71DCCC62CD9EE-001 usable length diameter ratio
 71EAC823D95A7-001 web taper
 71EAC82313165-001 web thickness

71E01A0769982-002 **001**

trepanning drill **trpdrill**

tool item used to cut a deep face groove leaving a plug of material equal to the inner diameter

REMARKS The tool can be small to leave a boss on a component or large to create a large hole but not produce all the material to swarf.

Properties:

71ED6AA478A3D-002 body length
 71D0846545C4E-001 cutting diameter internal
 71D0846570977-001 cutting diameter internal maximum
 71D084655A2F7-001 cutting diameter internal minimum
 71DF1538E7378-001 insert adjustable count

ISO/TS 13399-3:2014(E)

71DF5C0761888-001 keyway property

71E01A0608FE4-002 001

twist drill twdrill

solid tool item with helical chip flutes

Properties:

71EAC81F88336-001 body clearance depth
71DF1527D828C-001 cutting diameter size code
71EAC81AD9AE1-001 drill back taper
71EAC8210DF36-001 fluted land width
71DF1538E7378-001 insert adjustable count
71DCCC62CD9EE-001 usable length diameter ratio
71EAC823D95A7-001 web taper
71EAC82313165-001 web thickness

71E01A008D13F-002 001

mill mill

family of rotating tool items intended mainly for use in milling operations

Subclasses:

71EF07DFC283C-002 double half side mill
71E01A05D27A8-002 end mill
71E01A05B627B-002 face mill
71E01A05EA320-002 half side mill
71E01A0600702-002 ring mill
71E01A0540BE7-002 slab mill
71EF07E037025-002 slotting cutter
71EF07E083383-002 threading grooving mill

Properties:

71DF151EA5CF1-001 balance quality code
71EAC0CAB861F-001 balanced by design
71ED6A9AF7D1D-001 body diameter
71D08462F8185-001 body diameter maximum
71DCD3B16750B-002 body length maximum

71CF298EEB4F5-001	clamping type code
71EAC83CD450B-002	clearance angle axial
71EAC83B73825-002	clearance angle radial
71D102AE8A5A9-001	connection code workpiece side
71EBDBF5060E6-001	connection diameter
71CF298A76B66-001	connection retention knob thread size
71D087D97FCE3-001	contact surface diameter machine side
71D084653E57F-001	cutting diameter
71D084656CE32-001	cutting diameter maximum
71D0846556288-001	cutting diameter minimum
71DF15283219C-001	cutting pitch density
71DF152D8CF7D-001	cutting pitch differential
71D07576C0558-001	depth of cut maximum
71D08096F930C-001	drive angle
71DCD00239812-001	face effective cutting edge count
71DCD0029BBE7-001	face mounted insert count
71DCCFEBB883E-001	flute count
71DCD39338974-001	functional length
71DF1538E7378-001	insert adjustable count
71DCCFF75E485-001	peripheral effective cutting edge count
71DCD00054F65-001	peripheral mounted insert count
71DCD394BB20E-002	protruding length
71CF29990C41F-002	rake angle axial
71CF2998A1609-002	rake angle radial
71DF153A691F2-002	rotational speed maximum
71CED04867743-001	row identifier
71CF29862B277-001	shank diameter
71CF298870946-001	shank length
71EAC496E7425-001	tangentially mounted insert
71CF298A3A99A-001	tool changer interference diameter maximum
71CF2989AF0E0-001	tool changer interference length minimum
71D078F683C9B-002	tool cutting edge angle
71D078F77616B-002	tool lead angle

ISO/TS 13399-3:2014(E)

71CF2992BDBCC-001 usable length maximum

71EF07DFC283C-002 001

double half side mill dhsmill

milling cutter that cuts on both sides and part of the periphery and is used for enlarging an existing slot

NOTE The Z-axis is perpendicular to the slot being enlarged; the cutting width is less than half the cutting diameter ($CW < CD/2$) and the mounting is normally a bore mount.

Properties:

71ED6AA478A3D-002 body length
71EAC48CAD407-001 connection bore depth
71E01D92C41E8-001 connection bore diameter
71CEAEBE2B825-001 cutting width
71D07569F8BC3-001 cutting width maximum
71D0756A28B42-001 cutting width minimum
71E0306423B2A-001 drive count
71DF5C078FF46-001 hub property
71DF1526AC952-001 overlapping capability
71DF5C0761888-001 keyway property

71E01A05D27A8-002 001

end mill edmil

milling cutter with an integral shank

NOTE The Z-axis is either perpendicular or parallel to the surface being machined and the tool has a cutting diameter of less than 150 mm ($CD < 150$ mm).

Properties:

71EAC81F88336-001 body clearance depth
71EAC472BD116-001 body half taper angle
71ED6AA478A3D-002 body length
71DCD0033973E-001 cutting edge centre count
71DCD00CBBC2A-001 cutting end count
71CED03D70452-001 damping property
71E03062EC034-001 head diameter
71D07574A61E8-001 head length
71D07543367C5-001 minimum bore diameter

71EAC48EC5DE0-001	neck diameter
71EBC1E026769-001	neck length
71D08099F1DDC-001	plunge depth maximum
71DF1538632D9-001	ramping angle maximum
71EAC4A2B6544-001	taper angle
71CEAEC02FEBD-001	taper gradient
71EC659C9B3CE-001	tapered
71EBB33490FDA-001	usable length
71DCCC62CD9EE-001	usable length diameter ratio
71EAC823D95A7-001	web taper
71EAC82313165-001	web thickness

71E01A05B627B-002 001

face mill fcmill

milling cutter that produces a flat surface on the workpiece although the cutting edges on the periphery remove most of the workpiece material

NOTE The Z-axis is perpendicular to the surface being machined; there is one row of inserts; the mounting is usually a bore with transverse keyways and the depth of cut is less than the cutting diameter (DOC < CD).

Properties:

71ED6AA478A3D-002	body length
71EAC48CAD407-001	connection bore depth
71CEAEBE2B825-001	cutting width
71D07569F8BC3-001	cutting width maximum
71D0756A28B42-001	cutting width minimum
71DF5C078FF46-001	hub property
71DF1526AC952-001	overlapping capability
71DF5C0761888-001	keyway property
71D07543367C5-001	minimum bore diameter
71D08099F1DDC-001	plunge depth maximum
71DF1538632D9-001	ramping angle maximum
71EBB33490FDA-001	usable length

71E01A05EA320-002 001

half side mill hsdmill

ISO/TS 13399-3:2014(E)

milling cutter that cuts on the periphery and one side

NOTE The Z-axis is perpendicular to the main workpiece surface being produced; the depth of cut is less than half the cutting diameter ($DOC < CD/2$) and the mounting is normally a bore mount.

Properties:

71EAC48CAD407-001	connection bore depth
71E01D92C41E8-001	connection bore diameter
71E0306423B2A-001	drive count
71DF5C078FF46-001	hub property
71DF1526AC952-001	overlapping capability
71DF5C0761888-001	keyway property
71D08099F1DDC-001	plunge depth maximum

71E01A0600702-002 **001**

ring mill **rgmill**

milling cutter that cuts on the internal annular surface and both sides

NOTE The Z-axis is perpendicular to the slot being produced and the cutting width is less than half the cutting diameter ($CW < CD/2$).

Properties:

71D0846545C4E-001	cutting diameter internal
71D0846570977-001	cutting diameter internal maximum
71D084655A2F7-001	cutting diameter internal minimum
71CEAEBE2B825-001	cutting width
71D07569F8BC3-001	cutting width maximum
71D0756A28B42-001	cutting width minimum
71DF1526AC952-001	overlapping capability

71E01A0540BE7-002 **001**

slab mill **slbmill**

milling cutter with cutting edges on the periphery for machining large surfaces

NOTE The tool axis is parallel to the workpiece surface; the mounting surface is a bore and the useable length is greater than cutting diameter ($LU > CD$).

Properties:

71ED6AA478A3D-002	body length
71EAC48CAD407-001	connection bore depth
71E01D92C41E8-001	connection bore diameter

71CEAEBE2B825-001	cutting width
71D07569F8BC3-001	cutting width maximum
71D0756A28B42-001	cutting width minimum
71E0306423B2A-001	drive count
71DF5C078FF46-001	hub property
71DF1526AC952-001	overlapping capability
71DF5C0761888-001	keyway property
71EAC4A2B6544-001	taper angle
71CEAEC02FEBD-001	taper gradient
71EC659C9B3CE-001	tapered
71EBB33490FDA-001	usable length
71DCCC62CD9EE-001	usable length diameter ratio

71EF07E037025-002 001

slotting cutter sltctr

milling cutter that cuts on the periphery and both sides

NOTE The Z-axis is perpendicular to the slot being produced; the cutting width is less than half the cutting diameter ($CW < CD/2$) and the mounting is normally a bore mount.

Properties:

71EAC48CAD407-001	connection bore depth
71E01D92C41E8-001	connection bore diameter
71CEAEBE2B825-001	cutting width
71D07569F8BC3-001	cutting width maximum
71D0756A28B42-001	cutting width minimum
71E0306423B2A-001	drive count
71DF5C078FF46-001	hub property
71DF1526AC952-001	overlapping capability
71DF5C0761888-001	keyway property
71EAC4A2B6544-001	taper angle
71CEAEC02FEBD-001	taper gradient
71EC659C9B3CE-001	tapered

71EF07E083383-002 001

threading grooving mill tgvmill

ISO/TS 13399-3:2014(E)

milling cutter that cuts on its periphery to produce a groove or a thread

NOTE The Z-axis is parallel to the groove width or to the axis of thread being cut and the mill can either be designed with an integral shank or with a bore mount.

Properties:

71ED6AA478A3D-002	body length
71CEAEBE2B825-001	cutting width
71D07569F8BC3-001	cutting width maximum
71D0756A28B42-001	cutting width minimum
71CF298FB10E4-001	groove depth minimum bore diameter
71EAC48EC5DE0-001	neck diameter
71EBC1E026769-001	neck length
71DF153FA5F85-001	thread tolerance class
71EBB33490FDA-001	usable length

71E01A04A8AEC-002 001

ream ream

family of items designed for use mainly in reaming operations

Subclasses:

71E01A07BC535-001	cylindrical reamer
71E01A07ECCCF-001	profile reamer
71E01A07FF350-001	stepped reamer
71E01A07D2A1B-001	tapered reamer

Properties:

71EBBA9E78025-002	adjustability
71DF151EA5CF1-001	balance quality code
71EAC0CAB861F-001	balanced by design
71ED6A9AF7D1D-001	body diameter
71D08462F8185-001	body diameter maximum
71EAC472BD116-001	body half taper angle
71DCD3B16750B-002	body length maximum
71CF298EEB4F5-001	clamping type code
71EAC83CD450B-002	clearance angle axial
71EAC83B73825-002	clearance angle radial
71EAC48CAD407-001	connection bore depth

71E01D92C41E8-001	connection bore diameter
71EBDBF5060E6-001	connection diameter
71CF298A76B66-001	connection retention knob thread size
71D087D97FCE3-001	contact surface diameter machine side
71D084653E57F-001	cutting diameter
71D084656CE32-001	cutting diameter maximum
71D0846556288-001	cutting diameter minimum
71DF15283219C-001	cutting pitch density
71DF152D8CF7D-001	cutting pitch differential
71D08096F930C-001	drive angle
71DCD00239812-001	face effective cutting edge count
71DCD0029BBE7-001	face mounted insert count
71DCCFEBB883E-001	flute count
71DCD39338974-001	functional length
71EE070696F08-001	guide element property
71D07574A61E8-001	head length
71DF1538E7378-001	insert adjustable count
71CEAEBF2A69F-001	insert seat size code
71DF5C0761888-001	keyway property
71EAC48EC5DE0-001	neck diameter
71EBC1E026769-001	neck length
71DCCFF75E485-001	peripheral effective cutting edge count
71DCD00054F65-001	peripheral mounted insert count
71DCCC5A4FD18-001	premachined hole diameter
71DCD394BB20E-002	protruding length
71CF29990C41F-002	rake angle axial
71CF2998A1609-002	rake angle radial
71DF153A691F2-002	rotational speed maximum
71CF29862B277-001	shank diameter
71CF298870946-001	shank length
71EBC1EC0BB22-001	stock removal maximum
71EBC1EBC839F-001	stock removal minimum
71EBC1EC3E8B6-001	stock removal recommended

ISO/TS 13399-3:2014(E)

71CF298A3A99A-001	tool changer interference diameter maximum
71CF2989AF0E0-001	tool changer interference length minimum
71EBB33490FDA-001	usable length
71DCCC62CD9EE-001	usable length diameter ratio
71CF2992BDBCC-001	usable length maximum

71E01A07BC535-001 001

cylindrical reamer cylream

tool item used for reaming a cylindrical surface

71E01A07ECCCF-001 001

profile reamer prfream

tool item for reaming a non-regular surface

Properties:

71ED6AA478A3D-002	body length
71D0846545C4E-001	cutting diameter internal
71D0846570977-001	cutting diameter internal maximum
71D084655A2F7-001	cutting diameter internal minimum
71DF8C5D91804-001	profile specification

71E01A07FF350-001 001

stepped reamer stpream

tool item for reaming a hole with more than one diameter

Properties:

71ED6AA478A3D-002	body length
71DCCC3BD1B96-002	step count
71DCCC3DFA23A-001	step diameter length
71DCCC47221E0-002	step distance
71DF151D6E547-002	step included angle

71E01A07D2A1B-001 001

tapered reamer tapream

tool item for reaming a conical hole

Properties:

71DF1527D828C-001	cutting diameter size code
71EAC4A2B6544-001	taper angle
71CEAEC02FEBD-001	taper gradient
71EC659C9B3CE-001	tapered

71E0251F304E1-002**001****rotating borer****rotbor**

assembly of cutting item or items, tool item or items, and adaptive item or items to enlarge an existing hole

Properties:

71DF151EA5CF1-001	balance quality code
71EAC0CAB861F-001	balanced by design
71ED6A9AF7D1D-001	body diameter
71ED6AA478A3D-002	body length
71DCD3B16750B-002	body length maximum
71CF298EEB4F5-001	clamping type code
71EAC48CAD407-001	connection bore depth
71E01D92C41E8-001	connection bore diameter
71D102AE8A5A9-001	connection code workpiece side
71EDD2C17746F-001	connection count workpiece side
71EBDBF5060E6-001	connection diameter
71CF298A76B66-001	connection retention knob thread size
71D087D97FCE3-001	contact surface diameter machine side
71D084653E57F-001	cutting diameter
71D0846545C4E-001	cutting diameter internal
71D0846570977-001	cutting diameter internal maximum
71D084655A2F7-001	cutting diameter internal minimum
71D084656CE32-001	cutting diameter maximum
71D0846556288-001	cutting diameter minimum
71CF299287FD3-001	cutting length at minimum bore diameter
71D07576C0558-001	depth of cut maximum
71D08096F930C-001	drive angle
71DF1538E7378-001	insert adjustable count

ISO/TS 13399-3:2014(E)

71CEAEBF2A69F-001	insert seat size code
71DF5C0761888-001	keyway property
71D07543367C5-001	minimum bore diameter
71DCD394BB20E-002	protruding length
71CF29990C41F-002	rake angle axial
71CF2998A1609-002	rake angle radial
71DF153A691F2-002	rotational speed maximum
71CF29862B277-001	shank diameter

71E01A04F70F7-002 001

threading die die

family of items used for external threading operations

Subclasses:

71E01A0E4EE75-001	cylindrical die
71E01A0E79239-001	hexagonal die

Properties:

71EBB332C60EB-002	body height
71ED6AA478A3D-002	body length
71EBDBF5060E6-001	connection diameter
71DF153A691F2-002	rotational speed maximum
71E02C5C2EED3-001	thread diameter
71EBBAA3BCA70-001	thread diameter size
71DF153FA5F85-001	thread tolerance class

71E01A0E4EE75-001 001

cylindrical die cyldie

threading die whose outside shape is cylindrical

Properties:

71D08462F8185-001	body diameter maximum
-------------------	-----------------------

71E01A0E79239-001 001

hexagonal die hxldie

threading die whose outside shape is hexagonal

Properties:

71EBB33230236-002 body width

71E01A04E0236-003 002**threading tap tap**

family of items designed to form an internal thread in an existing hole in a workpiece

Subclasses:

71E01A0E34C7F-001 conical tap

71E01A0A5355D-001 cylindrical tap

Properties:

71EAC472BD116-001 body half taper angle

71EBB332C60EB-002 body height

71ED6AA478A3D-002 body length

71DCD3B16750B-002 body length maximum

71EBDBF5060E6-001 connection diameter

71DCD00CBBC2A-001 cutting end count

71D07576C0558-001 depth of cut maximum

71DCCFEBB883E-001 flute count

71DCD39338974-001 functional length

71D07574A61E8-001 head length

71EAC48EC5DE0-001 neck diameter

71EBC1E026769-001 neck length

71EBC1EA293DC-002 tap chamfer point diameter

71E02C679DC6D-002 tap chamfer style

71DCCC5A4FD18-001 premachined hole diameter

71DCD394BB20E-002 protruding length

71CF29990C41F-002 rake angle axial

71CF2998A1609-002 rake angle radial

71DF153A691F2-002 rotational speed maximum

71CF29862B277-001 shank diameter

71CF298870946-001 shank length

71DF153B4ABCD-001 tap type identifier

71E02C5C2EED3-001 thread diameter

ISO/TS 13399-3:2014(E)

71EBBAA3BCA70-001	thread diameter size
71DF153FA5F85-001	thread tolerance class
71EBB33490FDA-001	usable length
71CF2992BDBCC-001	usable length maximum
71EAC823D95A7-001	web taper
71EAC82313165-001	web thickness

71E01A0E34C7F-001 001

conical tap cntap

tool item that creates tapered internal threads

Properties:

71EAC4A2B6544-001	taper angle
71CEAEC02FEBD-001	taper gradient
71EC659C9B3CE-001	tapered

71E01A0A5355D-001 001

cylindrical tap cyltap

tool item that creates internal cylindrical threads

71E01A05104CF-002 001

turn turn

family of items designed for use mainly in internal and external turning operations

Subclasses:

71E01A0E9CBA9-001	boring bar
71E01A0E85121-001	prismatic tool holder
71E01A0EAF067-001	system tool

Properties:

71D0793ECE9A-001	a dimension on lf
71CF299431CAC-001	a dimension on wf
71D07543FD182-001	axial groove outside diameter maximum
71CF299354332-001	axial groove outside diameter minimum
71CF2992DBC44-001	blade reinforcement radius
71CF298EEB4F5-001	clamping type code

71EAC83CD450B-002	clearance angle axial
71ED6E5CD0DAE-001	clearance angle normal
71D08418C3B4D-001	clearance angle orthogonal
71EAC83B73825-002	clearance angle radial
71D102AE8A5A9-001	connection code workpiece side
71EBDBF5060E6-001	connection diameter
71CF299287FD3-001	cutting length at minimum bore diameter
71CEAEBE2B825-001	cutting width
71D07569F8BC3-001	cutting width maximum
71D0756A28B42-001	cutting width minimum
71CED03D70452-001	damping property
71EAC49F75413-001	drop head design
71CF29994E737-002	functional height
71DCD39338974-001	functional length
71D078F5BEDBE-002	functional length secondary
71CF29984CDA7-001	functional width
71D193F495583-001	functional width 2
71CF299874B1E-002	functional width secondary
71CF298FB10E4-001	groove depth minimum bore diameter
71D075730A82B-001	head back offset length
71D075731F172-001	head back offset width
71CF298F073D3-002	head bottom offset height
71CF298F4E487-001	head bottom offset length
71D07574A61E8-001	head length
71D075754F8A3-002	inclination angle
71CEAEBF2A69F-001	insert seat size code
71D078EB73E87-002	overall height
71CF299257986-002	overall width
71CF29990C41F-002	rake angle axial
71CF2998EBD46-002	rake angle normal
71D0808F8F719-002	rake angle orthogonal
71CF2998A1609-002	rake angle radial
71CF2988A5874-002	shank cross section shape code

ISO/TS 13399-3:2014(E)

71FAE074D2EBD-001	shim inclination angle
71EAC496E7425-001	tangentially mounted insert
71DF153FA5F85-001	thread tolerance class
71D078F683C9B-002	tool cutting edge angle
71D078F6E9893-002	tool cutting edge angle type code
71D078FD4E7BE-001	tool holder shape code
71D078F77616B-002	tool lead angle
71D0757C787B8-001	work piece parting diameter maximum

71E01A0E9CBA9-001 001

boring bar

brgbar

tool item with cylindrical cross section shank mainly used for internal turning operations

Properties:

71EBAF896BE9A-001	clamping length
71ED6E54B15C4-001	clamping length maximum
71EBB339ED2BD-001	clamping length minimum
71CF2993DC583-001	design configuration style code
71EBC1EB8456A-001	functional length minimum
71E03062EC034-001	head diameter
71D07543367C5-001	minimum bore diameter
71EBC1E8857BE-001	overall length minimum
71CF29862B277-001	shank diameter
71CF29883E014-001	shank height
71CF298870946-001	shank length
71CF298751FCF-001	shank width

71E01A0E85121-001 001

prismatic tool holder

prsmtool

tool item with prismatic cross section shank mainly used for external turning operations

NOTE The class includes, but is not limited to, square shanks, rectangular shanks, cartridges, and cut-off blades.

Properties:

71EBB332C60EB-002	body height
71EBB33230236-002	body width
71EBAF85006BD-001	clamping width

71EBC1EB8456A-001	functional length minimum
71D078ED2C21E-001	qualified tool code
71CF29883E014-001	shank height
71CF298870946-001	shank length
71CF298751FCF-001	shank width

71E01A0EAF067-001

001

system tool

systool

tool item with manufacturer's specific connection used for external and/or internal turning operations

Properties:

71ED6AA478A3D-002	body length
71DCD3B16750B-002	body length maximum
71D087D97FCE3-001	contact surface diameter machine side
71CF2993DC583-001	design configuration style code
71E03062EC034-001	head diameter
71D07543367C5-001	minimum bore diameter
71DCD394BB20E-002	protruding length
71CF29862B277-001	shank diameter
71CF298A3A99A-001	tool changer interference diameter maximum
71CF2989AF0E0-001	tool changer interference length minimum

Annex D (informative)

Tool item property definitions

The layout of the entries in this Annex is as follows:

NOTE 1 An entry could not contain all the information specified.

NOTE 2 The value formats of properties are specified in ISO/TS 13399-100.

BSU – version number **Revision number** **Value format**

data type group data type unit identifier

preferred name **short name** SYMBOL

synonymous name

definition

source of definition

BSU of condition property = name of condition property

Non-quantitative code = meaning of code

Source of code definition

NOTE

REMARKS

BSU of reference diagram

Illustration reference: Figure <Annex.illustration number>

Visible class:

Applicable classes:

Allowed values:

71D0793ECEF9A-001 001 **NR2 S..3.3**

REAL_MEASURE_TYPE mm

a dimension on lf **LFA**

dimension from the cutting reference point in the direction of the lf dimension to the plane perpendicular to the feed direction and tangential to the secondary corner of the main cutting edge

ISO 5610-1:2010, 5.7

Illustration reference: [Figure E.2](#)

Visible class:

71CE7A72B6DA7-002 cutting tool library

Applicable classes:

71D1066F279AD-002 cartridge

71E01A05104CF-002 turn

71CF299431CAC-001 001 NR2 S..3.3

REAL_MEASURE_TYPE mm

a dimension on wf WFA

dimension from the cutting reference point in the direction of the f dimension to the plane perpendicular to the feed direction and tangential to the secondary corner of the main cutting edge

Illustration reference: [Figure E.1](#)

Visible class:

71CE7A72B6DA7-002 cutting tool library

Applicable classes:

71D1066F279AD-002 cartridge

71E01A05104CF-002 turn

71EBBA9E78025-002 002 X1

NON_QUANTITATIVE_INTEGER_TYPE

adjustability ADJBY

indicator used when an item is adjustable

Visible class:

71CE7A72B6DA7-002 cutting tool library

Applicable classes:

71E01A04C377D-002 broach

71D1066F279AD-002 cartridge

71ED80E1EC9F6-001 nozzle

71E01A04A8AEC-002 ream

Allowed values:

0 = not adjustable

1 = radial adjustable

2 = axial adjustable

3 = radial and axial adjustable

71D07543FD182-001 001 NR2 S..3.3

REAL_MEASURE_TYPE mm

axial groove outside diameter maximum DAXX

maximum diameter of an axial groove that can be cut without interference between the workpiece and any part of the tool item on the first cut, measured on that point of the cutting edge that creates the outside diameter of the groove

Illustration reference: [Figure E.14](#)

Visible class:

71CE7A72B6DA7-002 cutting tool library

Applicable classes:

71D1066F279AD-002 cartridge

71E01A05104CF-002 turn

71CF299354332-001 001 NR2 S..3.3

REAL_MEASURE_TYPE mm

axial groove outside diameter minimum DAXN

minimum diameter of an axial groove that can be cut without interference between the workpiece and any part of the tool item on the first cut, measured on that point of the cutting edge that creates the outside diameter of the groove

Illustration reference: [Figure E.14](#)

Visible class:

71CE7A72B6DA7-002 cutting tool library

Applicable classes:

71D1066F279AD-002 cartridge

71E01A05104CF-002 turn

71DF151EA5CF1-001 001 X17

STRING_TYPE

balance quality code BLQ

identifier for the residual out-of-balance effect of a rotating tool

Visible class:

71CE7A72B6DA7-002 cutting tool library

Applicable classes:

71EAD3871D313-002 converter

71E0250E32A07-002 cylindrical broach

71E01A00BD93C-002 drill

71EEBDADB63BE-002 extender

71E01A008D13F-002	mill
71E01A04A8AEC-002	ream
71EAD385E51A0-002	reducer
71E0251F304E1-002	rotating borer

71EAC0CAB861F-001 **001** **X1**

BOOLEAN_TYPE

balanced by design **BBD**

identifier whether the tool item or adaptive item is designed with its centre of gravity on the rotational centre line or not

NOTE Balanced by design is not determined by rotational testing.

Visible class:

71CE7A72B6DA7-002	cutting tool library
-------------------	----------------------

Applicable classes:

71EAD3871D313-002	converter
71E0250E32A07-002	cylindrical broach
71E01A00BD93C-002	drill
71EEBDADB63BE-002	extender
71E01A008D13F-002	mill
71E01A04A8AEC-002	ream
71EAD385E51A0-002	reducer
71E0251F304E1-002	rotating borer

71CF2992DBC44-001 **001** **NR2 S..3.3**

REAL_MEASURE_TYPE mm

blade reinforcement radius **BLRAD**

measure of the curve of the reinforced section of a tool item that determines the maximum diameter of a workpiece that can be parted or cut off

Illustration reference: [Figure E.3](#)

Visible class:

71CE7A72B6DA7-002	cutting tool library
-------------------	----------------------

Applicable classes:

71D1066F279AD-002	cartridge
71E01A05104CF-002	turn

ISO/TS 13399-3:2014(E)

71EAC81F88336-001 **001** **NR2 S..3.3**

REAL_MEASURE_TYPE mm

body clearance depth **BCDP**

radial distance from the leading edge of the land to the portion of a fluted land reduced in diameter to provide diameter clearance

ISO 5419

NOTE Twice the value of the body clearance depth subtracted from the cutting diameter equals the body clearance diameter.

Visible class:

71CE7A72B6DA7-002 cutting tool library

Applicable classes:

71E01A069566C-002 chamfer drill

71E01A0751456-002 conical drill

71FAE7AAE8247-001 core drill

71E01A06BF88D-002 counterbore drill

71E01A06A8A08-002 countersink drill

71E01A05D27A8-002 end mill

71EAC81A64368-001 regrinding

71E01A067F73C-002 step drill

71E01A0608FE4-002 twist drill

71ED6A9AF7D1D-001 **001** **NR2 S..3.3**

REAL_MEASURE_TYPE mm

body diameter **BD**

distance between parallel tangents on the circular cross section of a tool item or an adaptive item

REMARK For an item with several changes in external form, the multiple values of body diameter would be aggregated with indexable identifiers.

Illustration reference: [Figure E.18](#)

Visible class:

71CE7A72B6DA7-002 cutting tool library

Applicable classes:

71E02C544BABE-002 burr tool

71EAD3871D313-002 converter

71E01A082DE72-001 disk broach

71E01A00BD93C-002	drill
71EEBDADB63BE-002	extender
71E01A008D13F-002	mill
71E01A04A8AEC-002	ream
71EAD385E51A0-002	reducer
71E0251F304E1-002	rotating borer
71E01A081855D-002	tapered broach

71D08462F8185-001 **001** **NR2 S..3.3**

REAL_MEASURE_TYPE mm

body diameter maximum **BDX**

largest diameter of the body of a tool item or an adaptive item

Illustration reference: [Figure E.18](#)

Visible class:

71CE7A72B6DA7-002 cutting tool library

Applicable classes:

71EAD3871D313-002	converter
71E0250E32A07-002	cylindrical broach
71E01A0E4EE75-001	cylindrical die
71E01A082DE72-001	disk broach
71E01A00BD93C-002	drill
71EEBDADB63BE-002	extender
71E01A008D13F-002	mill
71E01A04A8AEC-002	ream
71EAD385E51A0-002	reducer
71E01A081855D-002	tapered broach

71EAC472BD116-001 **001** **NR2 S..3.3**

REAL_MEASURE_TYPE deg

body half taper angle **BHTA**

angle of the transition between two diameters of the body of a tool item or adaptive item measured from the item axis

NOTE This angle is not used for any connection taper.

REMARKS This is applicable for both tool items and adaptive items.

Illustration reference: [Figure E.18](#)

Visible class:

71CE7A72B6DA7-002 cutting tool library

Applicable classes:

71EAD3871D313-002 converter

71E01A05D27A8-002 end mill

71EEBDADB63BE-002 extender

71E01A04A8AEC-002 ream

71E01A04E0236-003 threading tap

71EBB332C60EB-002 001 NR2 S..3.3

REAL_MEASURE_TYPE mm

body height HTB

distance measured along the *y*-axis between the extremes of the body excluding any protrusion of the locking mechanisms

Illustration reference: [Figure E.22](#)

Visible class:

71CE7A72B6DA7-002 cutting tool library

Applicable classes:

71D1066F279AD-002 cartridge

71EAD3871D313-002 converter

71E01A082DE72-001 disk broach

71EAD388173EE-001 driver

71EEBDADB63BE-002 extender

71E01A0838E9B-001 prismatic broach

71E01A0E85121-001 prismatic tool holder

71EAD385E51A0-002 reducer

71E01A04F70F7-002 threading die

71E01A04E0236-003 threading tap

71ED6AA478A3D-002 001 NR2 S..3.3

REAL_MEASURE_TYPE mm

body length LB

distance measured along the Z-axis from that point of the item closest to the workpiece, including the cutting item for a tool item but excluding a protruding locking mechanism for an adaptive item, to a defined change in the external form of a tool item or an adaptive item

REMARKS For an item with several changes in external form, the multiple values of body length would be aggregated with indexable identifiers.

Illustration reference: [Figure E.22](#)

Visible class:

71CE7A72B6DA7-002 cutting tool library

Applicable classes:

71D1066F279AD-002	cartridge
71E01A069566C-002	chamfer drill
71EAD3871D313-002	converter
71E01A06BF88D-002	counterbore drill
71E01A06A8A08-002	countersink drill
71EF07DFC283C-002	double half side mill
71EAD388173EE-001	driver
71E01A05D27A8-002	end mill
71EEBDADB63BE-002	extender
71E01A05B627B-002	face mill
71E01A0838E9B-001	prismatic broach
71E01A07ECCCF-001	profile reamer
71EAD385E51A0-002	reducer
71E0251F304E1-002	rotating borer
71E01A0540BE7-002	slab mill
71E01A067F73C-002	step drill
71E01A07FF350-001	stepped reamer
71E01A0EAF067-001	system tool
71E01A081855D-002	tapered broach
71E01A04F70F7-002	threading die
71EF07E083383-002	threading grooving mill
71E01A04E0236-003	threading tap
71E01A0769982-002	trepanning drill

71DCD3B16750B-002 **001** **NR2 S..3.3**

ISO/TS 13399-3:2014(E)

REAL_MEASURE_TYPE mm

body length maximum LBX

distance measured along the Z-axis from that point of the item closest to the workpiece, including the cutting item for a tool item but excluding a protruding locking mechanism for an adaptive item, to either the front of the flange on a flanged body or the beginning of the connection interface feature on the machine side for cylindrical or prismatic shanks

NOTE If a connection interface feature overlaps with the body of the item, then this dimension of the body length includes the overlapping portion of the connection interface feature.

Illustration reference: [Figure E.17](#)

Visible class:

71CE7A72B6DA7-002 cutting tool library

Applicable classes:

71EAD3871D313-002 converter
71E0250E32A07-002 cylindrical broach
71E01A00BD93C-002 drill
71EAD388173EE-001 driver
71EEBDADB63BE-002 extender
71E01A008D13F-002 mill
71E01A0838E9B-001 prismatic broach
71E01A04A8AEC-002 ream
71EAD385E51A0-002 reducer
71E0251F304E1-002 rotating borer
71E01A0EAF067-001 system tool
71E01A081855D-002 tapered broach
71E01A04E0236-003 threading tap

71DF1523224D8-001 001 X17

STRING_TYPE

body material code BMC

identifier for the main material constituent of the tool item or adaptive item

Visible class:

71CE7A72B6DA7-002 cutting tool library

Applicable classes:

71EAD37F18F34-002 adaptive item type
71E01A004C775-002 tool item type

71EBB33230236-002 **001** **NR2 S..3.3**

REAL_MEASURE_TYPE mm

body width **WB**

distance measured along the x-axis between the extremes of the body excluding any protrusion of the locking mechanisms

Visible class:

71CE7A72B6DA7-002 cutting tool library

Applicable classes:

71D1066F279AD-002 cartridge
 71EAD3871D313-002 converter
 71EAD388173EE-001 driver
 71EEBDADB63BE-002 extender
 71E01A0E79239-001 hexagonal die
 71E01A0838E9B-001 prismatic broach
 71E01A0E85121-001 prismatic tool holder
 71EAD385E51A0-002 reducer

71DF1523869EE-001 **001** **X17**

STRING_TYPE

burr type code **BTC**

identifier for a type of burr

Visible class:

71CE7A72B6DA7-002 cutting tool library

Applicable classes:

71E02C544BABE-002 burr tool

71DF1523EE184-001 **001** **X17**

STRING_TYPE

cartridge size code **CASC**

identifier for the size of a cartridge

ISO 5608, ISO 5611

Visible class:

71CE7A72B6DA7-002 cutting tool library

ISO/TS 13399-3:2014(E)

Applicable classes:

71E01A04C377D-002	broach
71D1066F279AD-002	cartridge
71EAD3871D313-002	converter

71EBAF896BE9A-001 **001** **NR2 S..3.3**

REAL_MEASURE_TYPE mm

clamping length **LSC**

dimension of the length of that portion of a tool item or an adaptive item that can participate in a connection

Illustration reference: [Figures E.25](#) and [E.26](#)

Visible class:

71CE7A72B6DA7-002 cutting tool library

Applicable classes:

71E01A0E9CBA9-001	boring bar
71DF8C37D9115-002	connection interface feature
71EAD3871D313-002	converter

71ED6E54B15C4-001 **001** **NR2 S..3.3**

REAL_MEASURE_TYPE mm

clamping length maximum **LSCX**

greatest portion of the connection feature that is necessary to ensure the normal function of the tool item or the adaptive item

Visible class:

71CE7A72B6DA7-002 cutting tool library

Applicable classes:

71E01A0E9CBA9-001	boring bar
71DF8C37D9115-002	connection interface feature
71EAD3871D313-002	converter

71EBB339ED2BD-001 **001** **NR2 S..3.3**

LEVEL_TYPE mm

clamping length minimum **LSCN**

smallest portion of the connection feature that is necessary to ensure that no damage is caused neither to the tool item nor to the adaptive item

Visible class:

71CE7A72B6DA7-002 cutting tool library

Applicable classes:

71E01A0E9CBA9-001 boring bar
 71DF8C37D9115-002 connection interface feature
 71EAD3871D313-002 converter

71CF298EEB4F5-001 001 X1

NON_QUANTITATIVE_CODE_TYPE

clamping type code MTP

identifier for the type of clamping mechanism to hold the replaceable insert on the tool item
 ISO 5608

Visible class:

71CE7A72B6DA7-002 cutting tool library

Applicable classes:

71E01A04C377D-002 broach
 71D1066F279AD-002 cartridge
 71E01A00BD93C-002 drill
 71E01A008D13F-002 mill
 71E01A04A8AEC-002 ream
 71E0251F304E1-002 rotating borer
 71E01A05104CF-002 turn

Allowed values:

- C = clamp on top of insert
- D = clamp on top of insert and into hole
- M = clamp on top of insert and through hole
- P = clamp with pin through hole
- S = clamp with screw through hole
- W = wedge clamping
- N = clamp into notch of insert

71EBAF85006BD-001 001 NR2 S..3.3

ISO/TS 13399-3:2014(E)

REAL_MEASURE_TYPE mm

clamping width WSC

dimension of the width of that portion of a tool item or an adaptive item that can participate in a connection

Visible class:

71CE7A72B6DA7-002 cutting tool library

Applicable classes:

71EAD3871D313-002 converter

71E01A0838E9B-001 prismatic broach

71E01A0E85121-001 prismatic tool holder

71EAD385E51A0-002 reducer

71EAC83CD450B-002 001 NR2 S..3.3

REAL_MEASURE_TYPE deg

clearance angle axial ALP

angle between the flank of the major or minor cutting edge and a plane parallel to the XY-plane passing through that cutting edge measured in the YZ-plane

ISO 3002-1

NOTE This property is applicable to tool items.

Illustration reference: [Figure E.23](#)

Visible class:

71CE7A72B6DA7-002 cutting tool library

Applicable classes:

71E01A04C377D-002 broach

71D1066F279AD-002 cartridge

71E01A00BD93C-002 drill

71E01A008D13F-002 mill

71E01A04A8AEC-002 ream

71EAC81A64368-001 regrinding

71E01A05104CF-002 turn

71ED6E5CD0DAE-001 001 NR2 S..3.3

REAL_MEASURE_TYPE mm

clearance angle normal ALN

angle between the major flank of the master insert and the tool cutting edge plane measured in a plane whose normal is parallel to the main cutting edge

NOTE This property is applicable to tool items.

Illustration reference: [Figure E.23](#)

Visible class:

71CE7A72B6DA7-002 cutting tool library

Applicable classes:

71D1066F279AD-002 cartridge

71E01A0838E9B-001 prismatic broach

71E01A05104CF-002 turn

71D08418C3B4D-001 001 NR2 S..3.3

REAL_MEASURE_TYPE deg

clearance angle orthogonal ALO

angle between the major flank of the master insert and the tool cutting edge plane measured in a plane perpendicular to the tool cutting edge plane

ISO 3002-1:1982, 5.1.4.4

NOTE This property is applicable to tool items.

Illustration reference: [Figure E.23](#)

Visible class:

71CE7A72B6DA7-002 cutting tool library

Applicable classes:

71D1066F279AD-002 cartridge

71E01A0838E9B-001 prismatic broach

71E01A05104CF-002 turn

71EAC83B73825-002 001 NR2 S..3.3

REAL_MEASURE_TYPE deg

clearance angle radial ALF

angle between the flank of the major or minor cutting edge and a plane parallel to the YZ-plane passing through that cutting edge measured in the XY-plane

NOTE This property is applicable to tool items.

ISO 3002-1

Illustration reference: [Figure E.23](#)

ISO/TS 13399-3:2014(E)

Visible class:

71CE7A72B6DA7-002 cutting tool library

Applicable classes:

71E01A04C377D-002 broach
71D1066F279AD-002 cartridge
71E01A00BD93C-002 drill
71E01A008D13F-002 mill
71E01A04A8AEC-002 ream
71EAC81A64368-001 regrinding
71E01A05104CF-002 turn

71DD703B84298-001 001 X1

BOOLEAN_TYPE

coating property CTP

possession of a coating by a cutting item type

Visible class:

71CE7A72B6DA7-002 cutting tool library

Applicable classes:

71D1AA6C8FC75-002 cutting item type
71E01A004C775-002 tool item type

71EAC48CAD407-001 001 NR2 S..3.3

REAL_MEASURE_TYPE mm

connection bore depth CBDP

depth of the hole in the centre of a tool or adaptive item used for making a connection

71EBDBF130AE6-1 = side

Illustration reference: [Figure E.19](#)

Visible class:

71CE7A72B6DA7-002 cutting tool library

Applicable classes:

71DF8C37D9115-002 connection interface feature
71EAD3871D313-002 converter
71E01A06BF88D-002 counterbore drill

71E01A06A8A08-002	countersink drill
71E0250E32A07-002	cylindrical broach
71E01A082DE72-001	disk broach
71EF07DFC283C-002	double half side mill
71EAD388173EE-001	driver
71EEBDADB63BE-002	extender
71E01A05B627B-002	face mill
71E01A05EA320-002	half side mill
71E01A04A8AEC-002	ream
71EAD385E51A0-002	reducer
71E0251F304E1-002	rotating borer
71E01A0540BE7-002	slab mill
71EF07E037025-002	slotting cutter

71E01D92C41E8-001 **001** **NR2 S..3.3**

REAL_MEASURE_TYPE mm

connection bore diameter **DCB**

diameter of the hole in the centre of a tool or adaptive item used for making a connection

71EBDBF130AE6-1 = side

Illustration reference: [Figure E.19](#)

Visible class:

71CE7A72B6DA7-002 cutting tool library

Applicable classes:

71EAD3871D313-002	converter
71E01A06BF88D-002	counterbore drill
71E01A06A8A08-002	countersink drill
71E0250E32A07-002	cylindrical broach
71E01A082DE72-001	disk broach
71EF07DFC283C-002	double half side mill
71EAD388173EE-001	driver
71EEBDADB63BE-002	extender
71E01A05EA320-002	half side mill
71E01A04A8AEC-002	ream

ISO/TS 13399-3:2014(E)

71EAD385E51A0-002	reducer
71E0251F304E1-002	rotating borer
71E01A0540BE7-002	slab mill
71EF07E037025-002	slotting cutter

71D102AE3B252-001 **001** **X14**

STRING_TYPE

connection code machine side **CCMS**

identifier for the capability to connect a component of a cutting tool to another component on the machine side

NOTE 1 The value of a code is constructed from the combination of the item feature class short name and the values of connection size code, variant, connection unit basis, coolant supply property, and form type.

NOTE 2 Two items can be connected together if they have the same value of the code.

NOTE 3 The connection code is not applicable to assembly items in general but is applicable to the collet class.

REMARKS Example for a cylindrical shank conforming to ISO 3338-2 with shank diameter of 25 mm, with internal coolant would be: ZYL025010M1EXT.

Illustration reference: See ISO/TS 13399-4, Figure E.1

Visible class:

71CE7A72B6DA7-002	cutting tool library
-------------------	----------------------

Applicable classes:

71EAD37F18F34-002	adaptive item type
71EC61E726811-001	collet
71DF8C37D9115-002	connection interface feature
71E01A004C775-002	tool item type

71D102AE8A5A9-001 **001** **X14**

STRING_TYPE

connection code workpiece side **CCWS**

identifier for the capability to connect a component to another component of a cutting tool on the workpiece side

NOTE 1 The value of a code is constructed from the combination of the item feature class short name and the values of connection size code, variant, connection unit basis, coolant supply property, and form type.

NOTE 2 Two items can be connected together if they have the same value of the code.

NOTE 3 The connection code is not applicable to cutting items or assembly items in general but is applicable to the collet class.

REMARKS Example for a collet chuck adaptor fitting a collet conforming to DIN 6499 with a size of 16 mm without coolant would be: SZD016002M0INT.

Illustration reference: See ISO/TS 13399-4, Figure E.1

Visible class:

71CE7A72B6DA7-002 cutting tool library

Applicable classes:

71EAD37F18F34-002 adaptive item type
 71E01A04C377D-002 broach
 71EC61E726811-001 collet
 71DF8C37D9115-002 connection interface feature
 71E01A00BD93C-002 drill
 71E01A008D13F-002 mill
 71E0251F304E1-002 rotating borer
 71E01A05104CF-002 turn

71EDD2C17746F-001 001 NR1 ..4

INT_TYPE

connection count workpiece side CCONWS

effective numbers of connections that can participate in a connection between any component of a cutting tool, except cutting items and assembly items, on the workpiece side

Visible class:

71CE7A72B6DA7-002 cutting tool library

Applicable classes:

71EAD3871D313-002 converter
 71E0251F304E1-002 rotating borer

71EBDBF5060E6-001 001 NR2 S..3.3

LEVEL_TYPE mm

connection diameter DCON

nominal dimension of the diameter of a cylindrical portion of a tool item or an adaptive item that can participate in a connection

71EBDBF130AE6-1 = side

Illustration reference: [Figure E.8](#)

Visible class:

ISO/TS 13399-3:2014(E)

71CE7A72B6DA7-002 cutting tool library

Applicable classes:

71EAD37F18F34-002 adaptive item type

71E01A04C377D-002 broach

71E01A00BD93C-002 drill

71E01A008D13F-002 mill

71E01A04A8AEC-002 ream

71E0251F304E1-002 rotating borer

71E01A04F70F7-002 threading die

71E01A04E0236-003 threading tap

71E01A05104CF-002 turn

71CF298A76B66-001 001 X17

STRING_TYPE

connection retention knob thread size CRKS

identifier for the size of the thread size of the device that pulls a cutting tool into the machine tool

71EBDBF130AE6-1 = side

Illustration reference: [Figure E.21](#)

Visible class:

71CE7A72B6DA7-002 cutting tool library

Applicable classes:

71EAD3871D313-002 converter

71E0250E32A07-002 cylindrical broach

71E01A00BD93C-002 drill

71EEBDADB63BE-002 extender

71E01A008D13F-002 mill

71E01A04A8AEC-002 ream

71EAD385E51A0-002 reducer

71E0251F304E1-002 rotating borer

71E01A081855D-002 tapered broach

71FC193318002-001 001 X 17

STRING_TYPE

connection size code CZC

identifier for the size of the connection between items of a cutting tool, excluding cutting items

NOTE The connection to the machine tool is included.

71EBDBF130AE6-1 = side

Illustration reference: See ISO/TS 13399-4, Figure E.1

Visible class:

71CE7A72B6DA7-002 cutting tool library

Applicable classes:

71EAD37F18F34-002 adaptive item type

71DF8C37D9115-002 connection interface feature

71E01A004C775-002 tool item type

71ED6E16D5978-001 001 X 1

NON_QUANTITATIVE_CODE_TYPE

connection unit basis CUB

label to identify the system of units in which the design of the connection is defined

REMARKS The C value of this property is used to identify the design basis of tapered shanks such as Steep taper.

Visible class:

71CE7A72B6DA7-002 cutting tool library

Applicable classes:

71EAD37F18F34-002 adaptive item type

71DF8C37D9115-002 connection interface feature

71E01A004C775-002 tool item type

Allowed values:

M = metric

N = inch

C = coded neither metric nor inch

71D087D97FCE3-001 001 NR2 S..3.3

REAL_MEASURE_TYPE mm

contact surface diameter machine side DCSFMS

diameter of the surface on the machine side forming the contact between a tool item and an adaptor item

Illustration reference: [Figure E.4](#)

ISO/TS 13399-3:2014(E)

Visible class:

71CE7A72B6DA7-002 cutting tool library

Applicable classes:

71EAD3871D313-002 converter
71E0250E32A07-002 cylindrical broach
71E01A00BD93C-002 drill
71EEBDADB63BE-002 extender
71E01A008D13F-002 mill
71E01A04A8AEC-002 ream
71EAD385E51A0-002 reducer
71E0251F304E1-002 rotating borer
71E01A0EAF067-001 system tool

71EBB342CC751-001 001 X1

BOOLEAN_TYPE

coolant supply property CSP

identification for whether a tool item or an adaptive item has a coolant supply

Visible class:

71CE7A72B6DA7-002 cutting tool library

Applicable classes:

71EAD37F18F34-002 adaptive item type
71DF8C37D9115-002 connection interface feature
71E01A004C775-002 tool item type

71CEAEBD5A66A-001 001 NR2 S..3.3

LEVEL_TYPE mm

cutting depth maximum CDX

maximum penetration of a cutting edge on the first infeed motion measured parallel to the feed direction

Illustration reference: [Figure E.12](#)

Visible class:

71CE7A72B6DA7-002 cutting tool library

Applicable classes:

71E01A04C377D-002 broach

71E02C544BABE-002	burr tool
71E01A00BD93C-002	drill
71DD700BFD9B9-002	grooving parting profile
71E01A008D13F-002	mill
71E01A04A8AEC-002	ream
71E0251F304E1-002	rotating borer
71E01A04E0236-003	threading tap
71E01A05104CF-002	turn

71D084653E57F-001 001 NR2 S..3.3

REAL_MEASURE_TYPE mm

cutting diameter DC

diameter of a circle created by a cutting reference point revolving around the tool axis of a rotating tool item

NOTE The normal of the machined peripheral surface points towards the axis of the cutting tool.

Illustration reference: [Figure E.12](#)

Visible class:

71CE7A72B6DA7-002 cutting tool library

Applicable classes:

71E02C544BABE-002	burr tool
71E0250E32A07-002	cylindrical broach
71E01A082DE72-001	disk broach
71E01A00BD93C-002	drill
71E01A008D13F-002	mill
71E01A04A8AEC-002	ream
71E0251F304E1-002	rotating borer
71E01A081855D-002	tapered broach

71D0846545C4E-001 001 NR2 S..3.3

REAL_MEASURE_TYPE mm

cutting diameter internal DCIN

diameter of a circle created by a cutting reference point revolving around the tool axis of a rotating tool item

Visible class:

ISO/TS 13399-3:2014(E)

71CE7A72B6DA7-002 cutting tool library

Applicable classes:

71E01A07ECCCF-001 profile reamer

71E01A0600702-002 ring mill

71E0251F304E1-002 rotating borer

71E01A0769982-002 trepanning drill

71D0846570977-001 001 NR2 S..3.3

REAL_MEASURE_TYPE mm

cutting diameter internal maximum DCINX

largest adjustable internal diameter of a circle created by a cutting reference point revolving around the tool axis of a rotating tool item

NOTE The normal of the machined peripheral surface points away from the axis of the cutting tool.

Illustration reference: [Figure E.13](#)

Visible class:

71CE7A72B6DA7-002 cutting tool library

Applicable classes:

71E01A07ECCCF-001 profile reamer

71E01A0600702-002 ring mill

71E0251F304E1-002 rotating borer

71E01A0769982-002 trepanning drill

71D084655A2F7-001 001 NR2 S..3.3

REAL_MEASURE_TYPE mm

cutting diameter internal minimum DCINN

smallest adjustable internal diameter of a circle created by a cutting reference point revolving around the tool axis of a rotating tool item

NOTE The normal of the machined peripheral surface points away from the axis of the cutting tool.

Visible class:

71CE7A72B6DA7-002 cutting tool library

Applicable classes:

71E01A07ECCCF-001 profile reamer

71E01A0600702-002 ring mill

71E0251F304E1-002 rotating borer

71E01A0769982-002 trepanning drill

71D084656CE32-001 001 NR2 S..3.3

REAL_MEASURE_TYPE mm

cutting diameter maximum DCX

largest diameter of a circle created by a cutting edge revolving around the tool axis of a rotating tool item

NOTE The normal of the machined peripheral surface points towards the axis of the cutting tool.

REMARKS Also used for adjustable tool items and for those tool items having a range of cutting diameters.

Illustration reference: [Figure E.13](#)

Visible class:

71CE7A72B6DA7-002 cutting tool library

Applicable classes:

71E01A082DE72-001 disk broach

71E01A00BD93C-002 drill

71E01A008D13F-002 mill

71E01A04A8AEC-002 ream

71E0251F304E1-002 rotating borer

71E01A081855D-002 tapered broach

71D0846556288-001 001 NR2 S..3.3

REAL_MEASURE_TYPE mm

cutting diameter minimum DCN

smallest diameter of a circle created by a cutting edge revolving around the tool axis of a rotating tool item

NOTE The normal of the machined peripheral surface points towards the axis of the cutting tool.

REMARKS Also used for adjustable tool items and for those tool items having a range of cutting diameters.

Illustration reference: [Figure E.13](#)

Visible class:

71CE7A72B6DA7-002 cutting tool library

Applicable classes:

71E01A082DE72-001 disk broach

71E01A00BD93C-002 drill

ISO/TS 13399-3:2014(E)

71E01A008D13F-002	mill
71E01A04A8AEC-002	ream
71E0251F304E1-002	rotating borer
71E01A081855D-002	tapered broach

71DF1527D828C-001 **001** **X17**

STRING_TYPE

cutting diameter size code **DCSC**

identifier for the cutting diameter of a tool item

REMARKS For example, drill sizes can be identified by either letters or numbers.

Visible class:

71CE7A72B6DA7-002 cutting tool library

Applicable classes:

71E01A07D2A1B-001 tapered reamer

71E01A0608FE4-002 twist drill

71DCD0033973E-001 **001** **NR1 S..4**

INT_TYPE

cutting edge centre count **ZNC**

number of cutting edges that are able to cut across the centre of the tool item axis

Visible class:

71CE7A72B6DA7-002 cutting tool library

Applicable classes:

71E01A05D27A8-002 end mill

71DCD00CBBC2A-001 **001** **NR1 S..4**

INT_TYPE

cutting end count **NCE**

label that defines whether a tool item has cutting capabilities on one or both ends

Visible class:

71CE7A72B6DA7-002 cutting tool library

Applicable classes:

71E01A073CA28-002 centre drill

71E01A05D27A8-002 end mill
 71E01A04E0236-003 threading tap

71DF8C52B8926-001 001 NR1 S..4

INT_TYPE

cutting item count CICT

number of cutting items on a working face

Visible class:

71CE7A72B6DA7-002 cutting tool library

Applicable classes:

71E01A004C775-002 tool item type

71CF299287FD3-001 001 NR2 S..3.3

REAL_MEASURE_TYPE mm

cutting length at minimum bore diameter CLMBD

distance on a cutting tool that defines how far the tool can cut from the start of the minimum bore diameter of a workpiece

Visible class:

71CE7A72B6DA7-002 cutting tool library

Applicable classes:

71E0251F304E1-002 rotating borer

71E01A05104CF-002 turn

71DF15283219C-001 001 X17

STRING_TYPE

cutting pitch density CPDN

identifier for the density of inserts in a cutter

Visible class:

71CE7A72B6DA7-002 cutting tool library

Applicable classes:

71E01A04C377D-002 broach

71E01A008D13F-002 mill

71E01A04A8AEC-002 ream

ISO/TS 13399-3:2014(E)

71DF152D8CF7D-001 **001** **X1**

BOOLEAN_TYPE

cutting pitch differential **CPDF**

identifier for if the spacing of a sequence of cutting edges is not equal

Visible class:

71CE7A72B6DA7-002 cutting tool library

Applicable classes:

71E01A04C377D-002 broach

71E01A008D13F-002 mill

71E01A04A8AEC-002 ream

71CEAEBE2B825-001 **001** **NR2 S..3.3**

REAL_MEASURE_TYPE mm

cutting width **CW**

width of the cut made by the cutting item(s) as it (they) penetrates into the work surface

NOTE This is also used as a property of a tool item.

Illustration reference: [Figure E.12](#)

Visible class:

71CE7A72B6DA7-002 cutting tool library

Applicable classes:

71D1066F279AD-002 cartridge

71E01A082DE72-001 disk broach

71EF07DFC283C-002 double half side mill

71E01A05B627B-002 face mill

71DD700BFD9B9-002 grooving parting profile

71E01A0838E9B-001 prismatic broach

71E01A0600702-002 ring mill

71E01A0540BE7-002 slab mill

71EF07E037025-002 slotting cutter

71EF07E083383-002 threading grooving mill

71E01A05104CF-002 turn

71D07569F8BC3-001 **001** **NR2 S..3.3**

LEVEL_TYPE mm

cutting width maximum CWX

maximum width of the cut made by a particular combination of a tool item and cutting item(s)

REMARKS This is a property of the tool item.

Visible class:

71CE7A72B6DA7-002 cutting tool library

Applicable classes:

71D1066F279AD-002 cartridge
 71E01A082DE72-001 disk broach
 71EF07DFC283C-002 double half side mill
 71E01A05B627B-002 face mill
 71E01A0600702-002 ring mill
 71E01A0540BE7-002 slab mill
 71EF07E037025-002 slotting cutter
 71EF07E083383-002 threading grooving mill
 71E01A05104CF-002 turn

71D0756A28B42-001 001 NR2 S..3.3

LEVEL_TYPE mm

cutting width minimum CWN

minimum width of the cut made by a particular combination of a tool item and cutting item(s)

REMARKS This is a property of the tool item.

Visible class:

71CE7A72B6DA7-002 cutting tool library

Applicable classes:

71D1066F279AD-002 cartridge
 71E01A082DE72-001 disk broach
 71EF07DFC283C-002 double half side mill
 71E01A05B627B-002 face mill
 71E01A0600702-002 ring mill
 71E01A0540BE7-002 slab mill
 71EF07E037025-002 slotting cutter
 71EF07E083383-002 threading grooving mill

ISO/TS 13399-3:2014(E)

71E01A05104CF-002 turn

71CED03D70452-001 001 X1

BOOLEAN_TYPE

damping property DPC

ability to reduce the amplitude of vibrations

Visible class:

71CE7A72B6DA7-002 cutting tool library

Applicable classes:

71EAD3871D313-002 converter

71E0250E32A07-002 cylindrical broach

71E01A05D27A8-002 end mill

71EEBDADB63BE-002 extender

71EAD385E51A0-002 reducer

71E01A05104CF-002 turn

71CF29869CA0F-001 001 NR1 S..1

BOOLEAN_TYPE

data chip provision DCP

indication of provision for a data chip on a tool item or an adaptive item

0 = not exist; 1 = exist

Visible class:

71CE7A72B6DA7-002 cutting tool library

Applicable classes:

71EAD37F18F34-002 adaptive item type

71E01A004C775-002 tool item type

71D07576C0558-001 001 NR2 S..3.3

LEVEL_TYPE mm

depth of cut maximum APMX

maximum engagement of the cutting edge or edges with the workpiece measured perpendicular to the feed motion

ISO 3002-3:1984, 6.1.1

Illustration reference: [Figure E.8](#)

Visible class:

71CE7A72B6DA7-002 cutting tool library

Applicable classes:

71E0250E32A07-002 cylindrical broach
 71DD700BFD9B9-002 grooving parting profile
 71E01A008D13F-002 mill
 71E0251F304E1-002 rotating borer
 71E01A04E0236-003 threading tap

71CF2993DC583-001 001 X1

NON_QUANTITATIVE_CODE_TYPE

design configuration style code DCC

identifier for the composition and features of a tool item

ISO 5609-1:2012, 4.1

NOTE The values are constrained to be those in the source document.

Visible class:

71CE7A72B6DA7-002 cutting tool library

Applicable classes:

71E01A0E9CBA9-001 boring bar
 71E01A0EAF067-001 system tool

Allowed values:

S = steel body

A = steel body with internal coolant supply

B = steel body with devibration

D = steel body with devibration and internal coolant supply

C = steel head with carbide shank

E = steel head with carbide shank and internal coolant supply

F = steel head with carbide shank and devibration

G = steel head with carbide shank and devibration and internal coolant supply

H = heavy metal body

J = heavy metal body with internal coolant supply

71EAC81AD9AE1-001 001 X17

STRING_TYPE

drill back taper **DBT**

reduction in diameter from the outer corners towards the shank expressed by the ratio of the reduction in diameter and the length of measurement

ISO 5419

Visible class:

71CE7A72B6DA7-002 cutting tool library

Applicable classes:

71EAC81A64368-001 regrinding

71E01A0608FE4-002 twist drill

71D08096F930C-001 **001** **NR2 S..3.3**

REAL_MEASURE_TYPE deg

drive angle **DRVA**

angle between the driving mechanism locator on a tool item and the main cutting edge

Illustration reference: [Figure E.7](#)

Visible class:

71CE7A72B6DA7-002 cutting tool library

Applicable classes:

71E01A04C377D-002 broach

71E01A00BD93C-002 drill

71E01A008D13F-002 mill

71E01A04A8AEC-002 ream

71E0251F304E1-002 rotating borer

71E0306423B2A-001 **001** **NR1 S..1**

INT_TYPE

drive count **DRVCT**

number of drives that are on an assembly item

Visible class:

71CE7A72B6DA7-002 cutting tool library

Applicable classes:

71EF07DFC283C-002 double half side mill

71E01A05EA320-002 half side mill

71E01A0540BE7-002 slab mill
 71EF07E037025-002 slotting cutter

71EAC49F75413-001 001 X1

BOOLEAN_TYPE

drop head design DHD

identifier for a dropped head design of a tool item or an adaptive item for upside down machining operations

REMARKS 0 = no dropped head design; 1 = dropped head design.

Illustration reference: [Figure E.26](#)

Visible class:

71CE7A72B6DA7-002 cutting tool library

Applicable classes:

71E01A05104CF-002 turn

71DCD00239812-001 001 NR1 S..4

INT_TYPE

face effective cutting edge count ZEFF

number of cutting edges that are effective on the face of a tool item

NOTE Used also for inside mounted inserts that do not produce a diameter.

Visible class:

71CE7A72B6DA7-002 cutting tool library

Applicable classes:

71E0250E32A07-002 cylindrical broach

71E01A00BD93C-002 drill

71E01A008D13F-002 mill

71E01A04A8AEC-002 ream

71DCD0029BBE7-001 001 NR1 S..4

INT_TYPE

face mounted insert count ZNF

total number of inserts mounted on the face of the tool item

Visible class:

71CE7A72B6DA7-002 cutting tool library

Applicable classes:

71E0250E32A07-002	cylindrical broach
71E01A00BD93C-002	drill
71E01A008D13F-002	mill
71E01A04A8AEC-002	ream

71DCCFEBB883E-001 001 NR1 S..4

INT_MEASURE_TYPE

flute count NOF

number of chip removal paths on a item

Visible class:

71CE7A72B6DA7-002	cutting tool library
-------------------	----------------------

Applicable classes:

71E01A04C377D-002	broach
71E01A00BD93C-002	drill
71E01A008D13F-002	mill
71E01A04A8AEC-002	ream
71E01A04E0236-003	threading tap

71DCCFEC645BD-001 001 X3

NON_QUANTITATIVE_CODE_TYPE

flute design code FDC

identifier for the design of the flute

Visible class:

71CE7A72B6DA7-002	cutting tool library
-------------------	----------------------

Applicable classes:

71DF8C3FD03AF-001	chip management
-------------------	-----------------

Allowed values:

- DSK = differential chip flute
- GSK = straight chip flute
- SSK = spiral (helical) chip flute

71DCCFEC20115-002 002 NR2 S..3.3

REAL_MEASURE_TYPE deg

flute helix angle **FHA**

angle of the flute measured in the YZ-plane between the axial inclination of the flute and the XZ-plane

NOTE If the angle of the flute helix along its elongation is not constant, it shall be determined at the point of the flute which is the nearest workpiece but is not the axial rake angle.

Illustration reference: [Figure E.20](#)

Visible class:

71CE7A72B6DA7-002 cutting tool library

Applicable classes:

71DF8C3FD03AF-001 chip management

Allowed values:

SSK = spiral (helical) chip flute

GSK = straight chip flute

DSK = differential chip flute

71DCCFF654756-001 001 X1

NON_QUANTITATIVE_CODE_TYPE

flute helix hand **FHH**

identifier for the direction of the flute helix

Visible class:

71CE7A72B6DA7-002 cutting tool library

Applicable classes:

71DF8C3FD03AF-001 chip management

Allowed values:

R = right hand flute

L = left hand flute

N = neutral (straight) flute

71DCCFF6A1A13-001 001 NR2 S..3.3

REAL_MEASURE_TYPE mm

flute helix pitch **FHP**

distance between equivalent points on the periphery of the tool item by revolving one turn

Illustration reference: [Figure E.16](#)

Visible class:

ISO/TS 13399-3:2014(E)

71CE7A72B6DA7-002 cutting tool library

Applicable classes:

71DF8C3FD03AF-001 chip management

71EAC8210DF36-001 001 NR2 S..3.3

REAL_MEASURE_TYPE mm

fluted land width FLW

distance between the leading edge of the margin and the heel

ISO 5419

REMARKS See diagram.

Visible class:

71CE7A72B6DA7-002 cutting tool library

Applicable classes:

71E01A0751456-002 conical drill

71FAE7AAE8247-001 core drill

71EAC81A64368-001 regrinding

71E01A067F73C-002 step drill

71E01A0608FE4-002 twist drill

71CF29994E737-002 001 NR2..7.3

REAL_MEASURE_TYPE mm

functional height HF

distance from the XZ-plane of the tool item to the cutting point

Visible class:

71CE7A72B6DA7-002 cutting tool library

Applicable classes:

71D1066F279AD-002 cartridge

71EAD3871D313-002 converter

71EAD388173EE-001 driver

71E01A0838E9B-001 prismatic broach

71EAD385E51A0-002 reducer

71E01A05104CF-002 turn

71DCD39338974-001 **001** **NR2 S..3.3**

REAL_MEASURE_TYPE mm

functional length **LF**

distance from the gauge plane or from the end of the shank, if a gauge plane does not exist, to the cutting reference point determined by the main function of the tool

NOTE The functional length is multiplied on stepped tools.

Illustration reference: [Figure E.1](#)

Visible class:

71CE7A72B6DA7-002 cutting tool library

Applicable classes:

71EAD37F18F34-002 adaptive item type

71E01A04C377D-002 broach

71E02C544BABE-002 burr tool

71D1066F279AD-002 cartridge

71E01A00BD93C-002 drill

71E01A008D13F-002 mill

71E01A04A8AEC-002 ream

71E01A04E0236-003 threading tap

71E01A05104CF-002 turn

71EBC1EB8456A-001 **001** **NR2 S..3.3**

REAL_MEASURE_TYPE mm

functional length minimum LFN

least distance from the gauge plane or from the end of the shank, if a gauge plane does not exist, to the cutting reference point determined by the main function of the tool

Visible class:

71CE7A72B6DA7-002 cutting tool library

Applicable classes:

71E01A0E9CBA9-001 boring bar

71EAD3871D313-002 converter

71EAD388173EE-001 driver

71EEBDADB63BE-002 extender

71E01A0E85121-001 prismatic tool holder

71EAD385E51A0-002 reducer

71D078F5BEDBE-002 **001** **NR2 S..3.3**

REAL_MEASURE_TYPE mm

functional length secondary **LFS**

distance from the XY-plane to a plane tangential to the secondary cutting corner as determined by the main function of the tool

Illustration reference: [Figure E.4](#)

Visible class:

71CE7A72B6DA7-002 cutting tool library

Applicable classes:

71D1066F279AD-002 cartridge

71E01A05104CF-002 turn

71CF29984CDA7-001 **001** **NR2..7.3**

REAL_MEASURE_TYPE mm

functional width **WF**

distance between the cutting reference point and the rear backing surface of a turning tool or the axis of a boring bar

ISO 5609-1, ISO 5610-1

Illustration reference: [Figure E.4](#)

Visible class:

71CE7A72B6DA7-002 cutting tool library

Applicable classes:

71D1066F279AD-002 cartridge

71EAD3871D313-002 converter

71EAD388173EE-001 driver

71EAD385E51A0-002 reducer

71E01A05104CF-002 turn

71D193F495583-001 **001** **NR2 S..3.3**

REAL_MEASURE_TYPE mm

functional width 2 **WF2**

distance between the cutting reference point and the front seating surface of a turning tool

ISO 5608:2012, Clause 5

Illustration reference: [Figure E.2](#)

Visible class:

71CE7A72B6DA7-002 cutting tool library

Applicable classes:

71D1066F279AD-002 cartridge

71E01A05104CF-002 turn

71CF299874B1E-002 001 NR2..7.3

REAL_MEASURE_TYPE mm

functional width secondary WFS

distance between the YZ-plane and a plane tangential to the secondary cutting corner as determined by the main function of the tool

Illustration reference: [Figure E.4](#)

Visible class:

71CE7A72B6DA7-002 cutting tool library

Applicable classes:

71D1066F279AD-002 cartridge

71E01A05104CF-002 turn

71CF298FB10E4-001 001 NR2..7.3

REAL_MEASURE_TYPE mm

groove depth minimum bore diameter GDMB

maximum groove depth that can be cut at the minimum bore diameter

Visible class:

71CE7A72B6DA7-002 cutting tool library

Applicable classes:

71EF07E083383-002 threading grooving mill

71E01A05104CF-002 turn

71EE070696F08-001 001 X1

BOOLEAN_TYPE

guide element property GEP

identifier for the existence of guide elements supporting the operation of the tool item or adaptive item

Visible class:

ISO/TS 13399-3:2014(E)

71CE7A72B6DA7-002 cutting tool library

Applicable classes:

71E01A06BF88D-002 counterbore drill

71E01A06A8A08-002 countersink drill

71E01A065F635-002 deep hole drill

71E01A04A8AEC-002 ream

71E01A067F73C-002 step drill

71ED6A7A6E6A2-001 001 NR2 S..3.3

REAL_MEASURE_TYPE mm

guide pilot diameter GPD

diameter of the portion of a cylindrical tool in front of the cutting portion that acts to limit the sideways movement of the tool in operation

Visible class:

71CE7A72B6DA7-002 cutting tool library

Applicable classes:

71E019C497CDF-001 guide pilot feature

71CF29872F0AB-001 001 X1

NON_QUANTITATIVE_CODE_TYPE

hand HAND

identifier used for the direction of rotation of rotating tool items and rotating adaptive items and for the position of the cutting edge of a stationary tool item and for the position of the connection used for a tool item or adaptive item with respect to the axis of the item and for the orientation of a replaceable cutting item with respect to the insert reference system and for the orientation of a clamp

Visible class:

71CE7A72B6DA7-002 cutting tool library

Applicable classes:

71D1AA486FF89-002 equilateral equiangular

71D1AE11B8B77-002 equilateral nonequiangular

71EC56B608ADC-001 insert wedge

71FAD54E2FE26-001 lever top clamp

71D0808DA853B-002 master insert

7224CCDD587CF-001 non replaceable cutting item

71D1AE120D96E-002 nonequilateral equiangular

71D1AA489FD6E-002 nonequilateral nonequiangular
 71DDA089C8D1E-002 specific profile insert
 71E01A004C775-002 tool item type

Allowed values:

R = right hand
 L = left hand
 N = neutral (both) hand

71D075730A82B-001 001 NR2 S..7.3

REAL_MEASURE_TYPE mm

head back offset length HBKL

dimension of the length of the reinforced portion of the back of the head of a tool item measured from the cutting point

NOTE Mainly applicable to tool items of a rectangular cross section.

Illustration reference: [Figure E.24](#)

Visible class:

71CE7A72B6DA7-002 cutting tool library

Applicable classes:

71D1066F279AD-002 cartridge

71E01A05104CF-002 turn

71D075731F172-001 001 NR2 S..7.3

REAL_MEASURE_TYPE mm

head back offset width HBKW

dimension of the width of the reinforced portion of the back of the head of a tool item measured from the rear backing surface

Illustration reference: [Figure E.24](#)

Visible class:

71CE7A72B6DA7-002 cutting tool library

Applicable classes:

71D1066F279AD-002 cartridge

71E01A05104CF-002 turn

71CF298F073D3-002 001 NR2 S..7.3

REAL_MEASURE_TYPE mm

head bottom offset height HBH

distance from the XZ-plane of a tool item or adaptive item to the bottom of the head

Illustration reference: [Figure E.25](#)

Visible class:

71CE7A72B6DA7-002 cutting tool library

Applicable classes:

71D1066F279AD-002 cartridge

71E01A05104CF-002 turn

71CF298F4E487-001 001 NR2 S..7.3

REAL_MEASURE_TYPE mm

head bottom offset length HBL

dimension of the length of the reinforced portion of the bottom of the head of a tool item measured from the cutting point

NOTE Only applicable to tool items of a rectangular cross section.

Illustration reference: [Figure E.25](#)

Visible class:

71CE7A72B6DA7-002 cutting tool library

Applicable classes:

71D1066F279AD-002 cartridge

71E01A05104CF-002 turn

71E03062EC034-001 001 NR2 S..3.3

REAL_MEASURE_TYPE mm

head diameter HDD

distance between two parallel tangents of the circular cross section of a head

Visible class:

71CE7A72B6DA7-002 cutting tool library

Applicable classes:

71E01A0E9CBA9-001 boring bar

71E01A06BF88D-002 counterbore drill

71E01A06A8A08-002 countersink drill

71E01A065F635-002 deep hole drill

71E01A05D27A8-002 end mill

71E01A0EAF067-001 system tool

71D07574A61E8-001 001 NR2 S..7.3

REAL_MEASURE_TYPE mm

head length LH

length of the head of a tool item

ISO 5610-1:2010, 4.2

Illustration reference: [Figure E.2](#)

Visible class:

71CE7A72B6DA7-002 cutting tool library

Applicable classes:

71D1066F279AD-002 cartridge

71E01A06BF88D-002 counterbore drill

71E01A06A8A08-002 countersink drill

71E01A065F635-002 deep hole drill

71E01A05D27A8-002 end mill

71E01A04A8AEC-002 ream

71E01A04E0236-003 threading tap

71E01A05104CF-002 turn

71D087D3B17B0-001 001

REAL_MEASURE_TYPE mm

hub diameter DHUB NR2 S..3.3

diameter of the hub portion of a tool body

Visible class:

71CE7A72B6DA7-002 cutting tool library

Applicable classes:

71DF5C02D0271-001 tool hub

71DF5C078FF46-001 001 X1

BOOLEAN_TYPE

hub property HBP

possession of a hub by a tool item

ISO/TS 13399-3:2014(E)

Visible class:

71CE7A72B6DA7-002 cutting tool library

Applicable classes:

71EF07DFC283C-002 double half side mill

71E01A05B627B-002 face mill

71E01A05EA320-002 half side mill

71E01A0540BE7-002 slab mill

71EF07E037025-002 slotting cutter

71D087D3F5E07-001 001 NR2 S..3.3

REAL_MEASURE_TYPE mm

hub thickness THUB

total through thickness of the hub of a disc tool item

Illustration reference: [Figure E.12](#)

Visible class:

71CE7A72B6DA7-002 cutting tool library

Applicable classes:

71DF5C02D0271-001 tool hub

71D075754F8A3-002 001 NR2 S..7.3

REAL_MEASURE_TYPE deg

inclination angle LAMS

angle between the tool rake plane and a plane parallel to the XZ-plane measured in the tool cutting edge plane

ISO 3002-1:1982, 5.1.1.3

Illustration reference: [Figure E.23](#)

Visible class:

71CE7A72B6DA7-002 cutting tool library

Applicable classes:

71D1066F279AD-002 cartridge

71E01A05104CF-002 turn

71DF1538E7378-001 001 NR1 S..4

INT_TYPE

insert adjustable count ZADJ

number of inserts whose position at their location can be adjusted

Visible class:

71CE7A72B6DA7-002 cutting tool library

Applicable classes:

71E01A04C377D-002 broach
 71E01A069566C-002 chamfer drill
 71E01A0751456-002 conical drill
 71FAE7AAE8247-001 core drill
 71E01A06BF88D-002 counterbore drill
 71E01A06A8A08-002 countersink drill
 71E01A065F635-002 deep hole drill
 71E01A008D13F-002 mill
 71E01D8A88F65-002 pilot drill
 71E01A04A8AEC-002 ream
 71E0251F304E1-002 rotating borer
 71E01A067F73C-002 step drill
 71E01A0769982-002 trepanning drill
 71E01A0608FE4-002 twist drill

71CE7A9936610-001 001 X17

STRING_TYPE

insert interface code IIC

identifier for the condition that a particular replaceable cutting item can be mounted on a particular tool item

Visible class:

71CE7A72B6DA7-002 cutting tool library

Applicable classes:

71D1AA486FF89-002 equilateral equiangular
 71D1AE11B8B77-002 equilateral nonequiangular
 71D0808DA853B-002 master insert
 71D1AE120D96E-002 nonequilateral equiangular
 71D1AA489FD6E-002 nonequilateral nonequiangular
 71D1AA6635E76-002 round insert

ISO/TS 13399-3:2014(E)

71DDA089C8D1E-002 specific profile insert

71E01A004C775-002 tool item type

71CEAEBF2A69F-001 001 X17

STRING_TYPE

insert seat size code SSC

identifier for the size of a replaceable cutting item and the seat on a tool item or an assembly item

NOTE The value of this identifier depends on both the shape of the cutting item and the size of the cutting item.

Visible class:

71CE7A72B6DA7-002 cutting tool library

Applicable classes:

71E01A04C377D-002 broach

71D1066F279AD-002 cartridge

71E01A00BD93C-002 drill

71D0808DA853B-002 master insert

71EAD70F1B95A-001 nest

71E01A04A8AEC-002 ream

71E0251F304E1-002 rotating borer

71E01A05104CF-002 turn

71DF1526AC952-001 001 X1

BOOLEAN_TYPE

overlapping capability LCB

identifier for the capability to form assemblies of tool items that position cutting edges in sequence along a line or curve

REMARKS Normally used for milling cutters.

Visible class:

71CE7A72B6DA7-002 cutting tool library

Applicable classes:

71EF07DFC283C-002 double half side mill

71E01A05B627B-002 face mill

71E01A05EA320-002 half side mill

71E01A0600702-002 ring mill

71E01A0540BE7-002 slab mill
 71EF07E037025-002 slotting cutter

71DF5C0761888-001 001 X1

BOOLEAN_TYPE

keyway property KYP

possession of a keyway by either a tool item or an adaptive item

Visible class:

71CE7A72B6DA7-002 cutting tool library

Applicable classes:

71E01A04C377D-002 broach
 71EAD3871D313-002 converter
 71E01A06BF88D-002 counterbore drill
 71E01A06A8A08-002 countersink drill
 71EF07DFC283C-002 double half side mill
 71EAD388173EE-001 driver
 71EEBDADB63BE-002 extender
 71E01A05B627B-002 face mill
 71E01A05EA320-002 half side mill
 71E01A04A8AEC-002 ream
 71EAD385E51A0-002 reducer
 71E0251F304E1-002 rotating borer
 71E01A0540BE7-002 slab mill
 71EF07E037025-002 slotting cutter
 71E01A0769982-002 trepanning drill

71DCCC27DEF53-001 001 NR2 S..3.3

REAL_MEASURE_TYPE mm

length chip flute LCF

length of the chip flute measured from the spot point to the end of the flute

Illustration reference: [Figure E.5](#)

Visible class:

71CE7A72B6DA7-002 cutting tool library

Applicable classes:

71DF8C3FD03AF-001 chip management

71CF298FDE0EF-001 001 X17

STRING_TYPE

master insert identification MIID

identifier for a nominal replaceable cutting item used for defining the dimensions of a cutting tool

Visible class:

71CE7A72B6DA7-002 cutting tool library

Applicable classes:

71E01A004C775-002 tool item type

71D07543367C5-001 001 NR2 S..7.3

REAL_MEASURE_TYPE mm

minimum bore diameter DMIN

minimum diameter that can be cut without interference between the workpiece and any part of the cutting tool

Visible class:

71CE7A72B6DA7-002 cutting tool library

Applicable classes:

71E01A0E9CBA9-001 boring bar

71D1066F279AD-002 cartridge

71E01A05D27A8-002 end mill

71E01A05B627B-002 face mill

71E0251F304E1-002 rotating borer

71E01A0EAF067-001 system tool

71EAC0F064E2D-002 001 NR2 S..3.3

REAL_MEASURE_TYPE deg

mounting hole angle MHA

angle between the XZ-plane and the centre of the mounting hole measured in the YZ-plane

ISO 5611

Illustration reference: [Figure E.22](#)

Visible class:

71CE7A72B6DA7-002 cutting tool library

Applicable classes:

71D1066F279AD-002 cartridge

71EAC0E9FA4CD-001 001 NR2 S..3.3

REAL_MEASURE_TYPE mm

mounting hole distance MHD

dimension measured from the end of a tool item, including any adjusting screw, to the centre of the mounting hole

ISO 5611

REMARKS See diagram.

Illustration reference: [Figure E.22](#)

Visible class:

71CE7A72B6DA7-002 cutting tool library

Applicable classes:

71D1066F279AD-002 cartridge

71EAC0EF68BB7-001 001 NR2 S..3.3

REAL_MEASURE_TYPE mm

mounting hole distance 2 MHD2

dimension measured from the centre of the first mounting hole to the centre of the second mounting hole

ISO 5611

REMARKS See diagram.

Illustration reference: [Figure E.22](#)

Visible class:

71CE7A72B6DA7-002 cutting tool library

Applicable classes:

71D1066F279AD-002 cartridge

71EAC0EFA1BF3-001 001 NR2 S..3.3

REAL_MEASURE_TYPE mm

mounting hole height MHH

distance from the base of the tool item to the intersection of the centre of the mounting hole with the rear backing surface of the tool item

ISO 5611

Illustration reference: [Figure E.22](#)

Visible class:

71CE7A72B6DA7-002 cutting tool library

Applicable classes:

71D1066F279AD-002 cartridge

71EAC48EC5DE0-001 001 NR2 S..3.3

REAL_MEASURE_TYPE mm

neck diameter DN

diameter of that portion of a tool item body or adaptive item body that is smaller than the diameters on either side of it

NOTE A neck allows undercutting without interfering with the workpiece.

Visible class:

71CE7A72B6DA7-002 cutting tool library

Applicable classes:

71E01A069566C-002 chamfer drill

71E01A06BF88D-002 counterbore drill

71E01A06A8A08-002 countersink drill

71E01A05D27A8-002 end mill

71E01A04A8AEC-002 ream

71EF07E083383-002 threading grooving mill

71E01A04E0236-002 threading tap

71EBC1E026769-001 001 NR2 S..3.3

REAL_MEASURE_TYPE mm

neck length LN

length of that portion of a tool item body or adaptive item body where the diameter is smaller than the diameters on either side of it

NOTE A neck allows undercutting without interfering with the workpiece.

Visible class:

71CE7A72B6DA7-002 cutting tool library

Applicable classes:

71E01A069566C-002	chamfer drill
71E01A06BF88D-002	counterbore drill
71E01A06A8A08-002	countersink drill
71E01A05D27A8-002	end mill
71E01A04A8AEC-002	ream
71EF07E083383-002	threading grooving mill
71E01A04E0236-003	threading tap

71D078EB73E87-002 **001** **NR2 S..7.3**

REAL_MEASURE_TYPE mm

overall height **OAH**

largest dimension of an item in the direction of the y-axis that would cause interference, including the master insert and clamping where applicable

Illustration reference: [Figure E.1](#)

Visible class:

71CE7A72B6DA7-002 cutting tool library

Applicable classes:

71D1066F279AD-002	cartridge
71EAD3871D313-002	converter
71EAD388173EE-001	driver
71EEBDADB63BE-002	extender
71E01A0838E9B-001	prismatic broach
71EAD385E51A0-002	reducer
71E01A05104CF-002	turn

71D078EB7C086-002 **001** **NR2 S..7.3**

REAL_MEASURE_TYPE mm

overall length **OAL**

largest dimension of an item in the direction of the Z-axis

Illustration reference: [Figure E.2](#)

Visible class:

71CE7A72B6DA7-002 cutting tool library

Applicable classes:

ISO/TS 13399-3:2014(E)

71EAD37F18F34-002 adaptive item type

71E01A004C775-002 tool item type

71EBC1E8857BE-001 001 NR2 S..3.3

REAL_MEASURE_TYPE mm

overall length minimum OALN

least allowable length of an item after regrinding

Visible class:

71CE7A72B6DA7-002 cutting tool library

Applicable classes:

71E01A0E9CBA9-001 boring bar

71EAC81A64368-001 regrinding

71CF299257986-002 001 NR2 S..7.3

REAL_MEASURE_TYPE mm

overall width OAW

largest dimension of an item in the direction of the x-axis including the master insert where applicable

Visible class:

71CE7A72B6DA7-002 cutting tool library

Applicable classes:

71D1066F279AD-002 cartridge

71EAD3871D313-002 converter

71EAD388173EE-001 driver

71EEBDADB63BE-002 extender

71E01A0838E9B-001 prismatic broach

71EAD385E51A0-002 reducer

71E01A05104CF-002 turn

71DCCFF75E485-001 001 NR1 S..4

INT_TYPE

peripheral effective cutting edge count ZAFP

number of cutting edges that are effective around the periphery of the tool item

NOTE Used also for outside mounted inserts that produce a diameter.

REMARKS It influences the calculation of the feed.

Visible class:

71CE7A72B6DA7-002 cutting tool library

Applicable classes:

71E0250E32A07-002 cylindrical broach

71E01A008D13F-002 mill

71E01A04A8AEC-002 ream

71DCD00054F65-001 001 NR1 S..4

INT_TYPE

peripheral mounted insert count ZNP

total number of inserts mounted on the periphery of the cutting profile

Visible class:

71CE7A72B6DA7-002 cutting tool library

Applicable classes:

71E0250E32A07-002 cylindrical broach

71E01A008D13F-002 mill

71E01A04A8AEC-002 ream

71EAC49030828-001 001 NR2 S..3.3

REAL_MEASURE_TYPE mm

pilot drill protrusion PDP

distance from the cutting reference point of a pilot drill to cutting edges that form the bottom of the hole measured along the tool axis

Visible class:

71CE7A72B6DA7-002 cutting tool library

Applicable classes:

71EE070754DE2-001 pilot drill feature

71DCCFD24119E-001 001 NR2 S..3.3

REAL_MEASURE_TYPE mm

pilot protruding length PPL

ISO/TS 13399-3:2014(E)

distance from the outer most point of the pilot to the cutting reference point that forms the cutting diameter measured in a plane parallel to the tool feed plane

NOTE Applies to both guide pilots and pilot drills.

Visible class:

71CE7A72B6DA7-002 cutting tool library

Applicable classes:

71E019C497CDF-001 guide pilot feature

71EBC1EA293DC-002 002 NR2 S..3.3

REAL_MEASURE_TYPE mm

tap chamfer point diameter TCPD

diameter of that section of a plug tap that first contacts the workpiece

Visible class:

71CE7A72B6DA7-002 cutting tool library

Applicable classes:

71E01A04E0236-003 threading tap

71E02C679DC6D-002 002 X2

NON_QUANTITATIVE_CODE_TYPE

tap chamfer style TCS

identifier for the shape of the chamfer of a threading type

Visible class:

71CE7A72B6DA7-002 cutting tool library

Applicable classes:

71E01A04E0236-003 threading tap

Allowed values:

BO = 1 bottom chamfered one to two pitch

MB = modified tap chamfer style

PC = plug chamfer three to six pitch

SB = semi-bottom two to three pitch

TC = tapered chamfer seven to 10 pitch

71D08099F1DDC-001 001 NR2 S..3.3

REAL_MEASURE_TYPE mm

plunge depth maximum **AZ**

portion of the maximum depth of cut that can be achieved without interference between the tool item and the workpiece when the plunging direction is perpendicular to the primary feed direction

Illustration reference: [Figure E.11](#)

Visible class:

71CE7A72B6DA7-002 cutting tool library

Applicable classes:

71E01A05D27A8-002 end mill

71E01A05B627B-002 face mill

71E01A05EA320-002 half side mill

71DCCC4FEF366-001 **001** **NR2 S..3.6**

REAL_MEASURE_TYPE deg

point angle **SIG**

angle between the major cutting edge and the same cutting edge rotated 180° about its tool axis

ISO 10899, DIN 1414-1

NOTE It is twice the value of the tool cutting edge angle.

Illustration reference: [Figure E.5](#)

Visible class:

71CE7A72B6DA7-002 cutting tool library

Applicable classes:

71DF8C5B8F7B5-002 drill point

71DCCFD064042-001 **001** **NR2 S..37.3**

REAL_MEASURE_TYPE mm

point length **PL**

distance from the front point or chisel edge of the cutting tool to the point that forms the full cutting diameter, measured parallel to the tool axis

Illustration reference: [Figure E.5](#)

Visible class:

71CE7A72B6DA7-002 cutting tool library

Applicable classes:

71DF8C5B8F7B5-002 drill point

ISO/TS 13399-3:2014(E)

71DCCC5A4FD18-001 **001** **NR2 S..3.3**

REAL_MEASURE_TYPE mm

premachined hole diameter PHD

minimum allowed hole diameter to avoid interference between the tool body and workpiece

NOTE To allow the use of a guide pilot.

Visible class:

71CE7A72B6DA7-002 cutting tool library

Applicable classes:

71E01A069566C-002 chamfer drill

71E01A06BF88D-002 counterbore drill

71E01A06A8A08-002 countersink drill

71E0250E32A07-002 cylindrical broach

71E01A04A8AEC-002 ream

71E01A081855D-002 tapered broach

71E01A04E0236-003 threading tap

71DF8C5D91804-001 **001** **X17**

STRING_TYPE

profile specification PRSPC

identifier for formal definition of the shape of a working face or cutting profile

Visible class:

71CE7A72B6DA7-002 cutting tool library

Applicable classes:

71E01A07ECCCF-001 profile reamer

71DCD394BB20E-002 **001** **NR2 S..3.3**

REAL_MEASURE_TYPE mm

protruding length LPR

dimension from the XY-plane to the furthest point of the tool item or adaptive item measured in the Z direction

NOTE 1 For tool items, the protruding length can be equal to the functional length if the furthest point is the cutting reference point.

NOTE 2 For adaptive items, the protruding length can be equal to the functional length if the furthest point is the origin of the coordinate system workpiece side.

Illustration reference: [Figure E.7](#)

Visible class:

71CE7A72B6DA7-002 cutting tool library

Applicable classes:

71EAD37F18F34-002 adaptive item type

71E01A04C377D-002 broach

71E01A00BD93C-002 drill

71E01A008D13F-002 mill

71E01A04A8AEC-002 ream

71E0251F304E1-002 rotating borer

71E01A0EAF067-001 system tool

71E01A04E0236-003 threading tap

71D078ED2C21E-001 001 X1

NON_QUANTITATIVE_CODE_TYPE

qualified tool code QTCidentifier for a tool with dimensions F and LF or F2 and LF having tolerances of $\pm 0,08$ mm

ISO 5608:2012, Clause 5

NOTE F is equivalent to f1 in the source document.

Visible class:

71CE7A72B6DA7-002 cutting tool library

Applicable classes:

71E01A0E85121-001 prismatic tool holder

Allowed values:

F = contact surface on the front

Q = contact surface on the rear backing

B = contact surfaces on rear backing and front

71CF29990C41F-002 001 NR2 S..3.6

REAL_MEASURE_TYPE deg

rake angle axial GAMP

angle between the tool rake plane and a plane parallel to the XZ-plane measured in a plane parallel to the YZ-plane

ISO 3002-1:1982, 5.1.2.3

Illustration reference: [Figure E.27](#)

Visible class:

71CE7A72B6DA7-002 cutting tool library

Applicable classes:

71E01A04C377D-002 broach
 71D1066F279AD-002 cartridge
 71E01A00BD93C-002 drill
 71E01A008D13F-002 mill
 71E01A04A8AEC-002 ream
 71E0251F304E1-002 rotating borer
 71E01A04E0236-003 threading tap
 71E01A05104CF-002 turn

71CF2998EBD46-002 001 NR2 S..3.6

REAL_MEASURE_TYPE deg

rake angle normal GAMN

angle between the tool rake plane and a plane parallel to the XZ-plane, measured in a plane whose normal is the major cutting edge of the tool

ISO 3002-1:1982, 5.1.2.1

Illustration reference: [Figure E.23](#)

Visible class:

71CE7A72B6DA7-002 cutting tool library

Applicable classes:

71D1066F279AD-002 cartridge
 71E01A05104CF-002 turn

71D0808F8F719-002 001 NR2 S..3.6

REAL_MEASURE_TYPE deg

rake angle orthogonal GAMO

angle between the tool rake plane and a plane parallel to the XZ-plane measured in a plane perpendicular to the tool cutting edge plane

ISO 3002-1:1982, 5.1.2.4

Illustration reference: [Figure E.27](#)

Visible class:

71CE7A72B6DA7-002 cutting tool library

Applicable classes:

71D1066F279AD-002 cartridge
 71E01A05104CF-002 turn

71CF2998A1609-002 001 NR2 S..3.6

REAL_MEASURE_TYPE deg

rake angle radial GAMF

angle between the tool rake plane and a plane parallel to the XZ-plane measured in a plane parallel to the XY-plane

Illustration reference: [Figure E.27](#)

Visible class:

71CE7A72B6DA7-002 cutting tool library

Applicable classes:

71E01A04C377D-002 broach
 71D1066F279AD-002 cartridge
 71E01A00BD93C-002 drill
 71E01A008D13F-002 mill
 71E01A04A8AEC-002 ream
 71E0251F304E1-002 rotating borer
 71E01A04E0236-003 threading tap
 71E01A05104CF-002 turn

71DF1538632D9-001 001 NR2 S..3.6

LEVEL_TYPE deg

ramping angle maximum RMPX

maximum angle for infeeding of a tool item to avoid interference with the workpiece

Illustration reference: [Figure E.11](#)

Visible class:

71CE7A72B6DA7-002 cutting tool library

Applicable classes:

71E01A05D27A8-002 end mill
 71E01A05B627B-002 face mill

71DF153A691F2-002 001 NR2 S..3.3

ISO/TS 13399-3:2014(E)

LEVEL_TYPE rpm

rotational speed maximum RPMX

maximum rotational speed allowed for an item

Visible class:

71CE7A72B6DA7-002 cutting tool library

Applicable classes:

71EAD37F18F34-002 adaptive item type

71E01A00BD93C-002 drill

71E01A008D13F-002 mill

71E01A04A8AEC-002 ream

71E0251F304E1-002 rotating borer

71E01A04F70F7-002 threading die

71E01A04E0236-003 threading tap

71CED04867743-001 001 X1

NON_QUANTITATIVE_CODE_TYPE

row identifier RID

identifier for whether a tool item has cutting edges on one level or on multiple levels

Visible class:

71CE7A72B6DA7-002 cutting tool library

Applicable classes:

71E0250E32A07-002 cylindrical broach

71E01A008D13F-002 mill

71E01A081855D-002 tapered broach

Allowed values:

S = single

M = multiple

71CF2988A5874-002 002 X17

STRING_TYPE

shank cross section shape code SX

identifier for the cross sectional shape of the shank of the tool item and the number and location of flats on a cylindrical shank

Visible class:

71CE7A72B6DA7-002 cutting tool library

Applicable classes:

71D1066F279AD-002 cartridge

71E01A05104CF-002 turn

Allowed values:

01 = square

02 = rectangular

03 = rectangular w/ clamping flat

10 = round

11 = round with 1 flat - on cutting edge side

12 = round with 1 flat - opposite cutting edge

13 = round with 1 flat - above cutting edge

14 = round with 1 flat - below cutting edge

21 = round with 2 flats - on side and opposite cutting edge

22 = round with 2 flats - above and below cutting edge

31 = round with 3 flats - on side, above and below cutting edge

32 = round with 3 flats - on side, above and opposite cutting edge

33 = round with 3 flats - above, opposite and below cutting edge

34 = round with 3 flats - opposite, below and on side cutting edge

41 = round with 4 flats

71CF29862B277-001 001 NR2 S..7.3

REAL_MEASURE_TYPE mm

shank diameter DMM

dimension of the diameter of a cylindrical portion of a tool item or an adaptive item that can participate in a connection

Illustration reference: [Figure E.5](#)

Visible class:

71CE7A72B6DA7-002 cutting tool library

Applicable classes:

71EAD37F18F34-002 adaptive item type

71E01A0E9CBA9-001 boring bar

71E02C544BABE-002 burr tool

71E0250E32A07-002 cylindrical broach

ISO/TS 13399-3:2014(E)

71E01A00BD93C-002	drill
71E01A008D13F-002	mill
71E01A04A8AEC-002	ream
71E0251F304E1-002	rotating borer
71E01A0EAF067-001	system tool
71E01A081855D-002	tapered broach
71E01A04E0236-003	threading tap

71CF29883E014-001 **001** **NR2 S..7.3**

REAL_MEASURE_TYPE mm

shank height **H**

dimension of the height of a shank

Illustration reference: [Figure E.1](#)

Visible class:

71CE7A72B6DA7-002 cutting tool library

Applicable classes:

71E01A0E9CBA9-001	boring bar
71D1066F279AD-002	cartridge
71EAD3871D313-002	converter
71EAD388173EE-001	driver
71E01A0838E9B-001	prismatic broach
71E01A0E85121-001	prismatic tool holder
71EAD385E51A0-002	reducer

71CF298870946-001 **001** **NR2 S..7.3**

REAL_MEASURE_TYPE mm

shank length **LS**

dimension of the length of a shank

Illustration reference: [Figure E.1](#)

Visible class:

71CE7A72B6DA7-002 cutting tool library

Applicable classes:

71E01A0E9CBA9-001 boring bar

71E02C544BABE-002	burr tool
71D1066F279AD-002	cartridge
71EAD3871D313-002	converter
71E0250E32A07-002	cylindrical broach
71E01A00BD93C-002	drill
71EAD388173EE-001	driver
71E01A008D13F-002	mill
71E01A0838E9B-001	prismatic broach
71E01A0E85121-001	prismatic tool holder
71E01A04A8AEC-002	ream
71EAD385E51A0-002	reducer
71E01A081855D-002	tapered broach
71E01A04E0236-003	threading tap

71CF298751FCF-001 **001** **NR2 S..7.3**

REAL_MEASURE_TYPE mm

shank width **B**

dimension of the width of a shank

Illustration reference: [Figure E.1](#)

Visible class:

71CE7A72B6DA7-002 cutting tool library

Applicable classes:

71E01A0E9CBA9-001	boring bar
71D1066F279AD-002	cartridge
71EAD3871D313-002	converter
71EAD388173EE-001	driver
71E01A0838E9B-001	prismatic broach
71E01A0E85121-001	prismatic tool holder
71EAD385E51A0-002	reduce

71FAE074D2EBD-001 **001** **NR2 S..3.6**

REAL_MEASURE_TYPE deg

shim inclination angle **SHIAN**

angle between the top and bottom surfaces of a shim

Visible class:

71CE7A72B6DA7-002 cutting tool library

Applicable classes:

71E01A05104CF-002 turn

71DCCC3BD1B96-002 002 NR1 S..2

INTEGER TYPE

step count NOS

total number of different cutting diameters performed by the same tool in the same operation

NOTE Can be used to state the total number of steps when all steps are not described by other properties.

Visible class:

71CE7A72B6DA7-002 cutting tool library

Applicable classes:

71E01A073CA28-002 centre drill

71E01A067F73C-002 step drill

71E01A07FF350-001 stepped reamer

71DCCC3DFA23A-001 001 NR2 S..3.3

REAL_MEASURE_TYPE mm

step diameter length SDL

length of a portion of a stepped tool that is related to a corresponding cutting diameter measured from the cutting reference point of that cutting diameter to the point on the next cutting edge at which the diameter start to change

Illustration reference: [Figure E.17](#)

Visible class:

71CE7A72B6DA7-002 cutting tool library

Applicable classes:

71E01A073CA28-002 centre drill

71E01A067F73C-002 step drill

71E01A07FF350-001 stepped reamer

71DCCC47221E0-002 001 NR2 S..3.3

REAL_MEASURE_TYPE mm

step distance **SD**

distance on stepped tools from a plane parallel to the XY-plane through the point on the cutting edge that is furthest from the origin of the coordinate system along the Z-axis to the cutting reference point of the corresponding step diameter

Visible class:

71CE7A72B6DA7-002 cutting tool library

Applicable classes:

71E01A073CA28-002 centre drill

71E01A067F73C-002 step drill

71E01A07FF350-001 stepped reamer

71DF151D6E547-002 **001** **NR2 S..3.6**

REAL_MEASURE_TYPE deg

step included angle **STA**

angle between a major cutting edge on a step of a stepped tool and the same cutting edge rotated 180° about its tool axis

NOTE This property is an aggregate property for a multi-stepped tool.

Illustration reference: [Figure E.17](#)

Visible class:

71CE7A72B6DA7-002 cutting tool library

Applicable classes:

71E01A073CA28-002 centre drill

71E01A067F73C-002 step drill

71E01A07FF350-001 stepped reamer

71EBC1EC0BB22-001 **001** **NR2 S..3.3**

LEVEL_TYPE mm

stock removal maximum **SRX**

greatest thickness of material that can be removed in a reaming operation

Visible class:

71CE7A72B6DA7-002 cutting tool library

Applicable classes:

71E01A04C377D-002 broach

71E01A04A8AEC-002 ream

ISO/TS 13399-3:2014(E)

71EBC1EBC839F-001 001 NR2 S..3.3

LEVEL_TYPE mm

stock removal minimum SRN

least thickness of material that can be removed in a reaming operation

Visible class:

71CE7A72B6DA7-002 cutting tool library

Applicable classes:

71E01A04C377D-002 broach

71E01A04A8AEC-002 ream

71EBC1EC3E8B6-001 001 NR2 S..3.3

LEVEL_TYPE mm

stock removal recommended SRR

thickness of material that is recommended to be removed in a reaming operation

Visible class:

71CE7A72B6DA7-002 cutting tool library

Applicable classes:

71E01A04C377D-002 broach

71E01A04A8AEC-002 ream

71EAC496E7425-001 001 X1

BOOLEAN_TYPE

tangentially mounted insert TMINS

identifier whether the replaceable insert is tangentially mounted or not

Visible class:

71CE7A72B6DA7-002 cutting tool library

Applicable classes:

71E01A04C377D-002 broach

71D1066F279AD-002 cartridge

71E01A00BD93C-002 drill

71E01A008D13F-002 mill

71E01A05104CF-002 turn

71DF153B4ABCD-001 **001** **X1**

NON_QUANTITATIVE_CODE_TYPE

tap type identifier **TTPID**

identifier for the type of a tapping tool

Visible class:

71CE7A72B6DA7-002 cutting tool library

Applicable classes:

71E01A04E0236-003 threading tap

Allowed values:

1 = machine tap

2 = hand tap

3 = cold forming

4 = nut

9 = special

71EAC4A2B6544-001 **001** **NR2S..3.6**

REAL_MEASURE_TYPE deg

taper angle **TA**

included angle between generatrixes in the axial plane section

Visible class:

71CE7A72B6DA7-002 cutting tool library

Applicable classes:

71EC61E726811-001 collet

71E01A0751456-002 conical drill

71E01A0E34C7F-001 conical tap

71E01A06A8A08-002 countersink drill

71E01A05D27A8-002 end mill

71E01A0540BE7-002 slab mill

71EF07E037025-002 slotting cutter

71E01A081855D-002 tapered broach

71E01A07D2A1B-001 tapered reamer

71CEAEC02FEBD-001 001 NR2 S..3.3

REAL_TYPE

taper gradient TG

ratio of the difference between the diameters of two sections to the distance between these sections

REMARKS Also known as rate of taper.

Visible class:

71CE7A72B6DA7-002 cutting tool library

Applicable classes:

- 71EC61E726811-001 collet
- 71E01A0751456-002 conical drill
- 71E01A0E34C7F-001 conical tap
- 71E01A06A8A08-002 countersink drill
- 71E01A05D27A8-002 end mill
- 71E01A0540BE7-002 slab mill
- 71EF07E037025-002 slotting cutter
- 71E01A081855D-002 tapered broach
- 71E01A07D2A1B-001 tapered reamer
- 71DD700C151B5-002 threading profile

71EC659C9B3CE-001 001 X0,1

BOOLEAN_TYPE

tapered TPD

indicator for whether an object becomes smaller in dimensions towards one end

Visible class:

71CE7A72B6DA7-002 cutting tool library

Applicable classes:

- 71E01A0751456-002 conical drill
- 71E01A0E34C7F-001 conical tap
- 71E01A06A8A08-002 countersink drill
- 71E01A05D27A8-002 end mill
- 71E01A0540BE7-002 slab mill
- 71EF07E037025-002 slotting cutter
- 71E01A081855D-002 tapered broach

71E01A07D2A1B-001 tapered reamer

71E02C5C2EED3-001 001 NR2 S..3.3

REAL_MEASURE_TYPE mm

thread diameter TD

diameter of an imaginary cylindrical surface tangential to the crests of an external thread or to the roots of an internal thread

NOTE This definition applies to both internal and external threads.

Visible class:

71CE7A72B6DA7-002 cutting tool library

Applicable classes:

71E01A04F70F7-002 threading die

71E01A04E0236-003 threading tap

71FC1D22BF4CD-001 tool thread external

71FC1D25097D7-001 tool thread internal

71EBBAA3BCA70-001 001 X17

STRING_TYPE

thread diameter size TDZ

descriptor to identify the diameter of a threaded portion of an item

Visible class:

71CE7A72B6DA7-002 cutting tool library

Applicable classes:

71E01A04F70F7-002 threading die

71E01A04E0236-003 threading tap

71DF153FA5F85-001 001 X17

STRING_TYPE

thread tolerance class TCTR

identifier for the tolerances of a thread

REMARKS The value for an internal metric thread could be 4H. The value for an external metric thread could be 5g.

Visible class:

71CE7A72B6DA7-002 cutting tool library

Applicable classes:

ISO/TS 13399-3:2014(E)

71DDA089C8D1E-002	specific profile insert
71E01A04F70F7-002	threading die
71EF07E083383-002	threading grooving mill
71E01A04E0236-003	threading tap
71FC1D22BF4CD-001	tool thread external
71FC1D25097D7-001	tool thread internal
71E01A05104CF-002	turn

71CF298A3A99A-001 **001** **NR2 S..3.3**

LEVEL_TYPE mm

tool changer interference diameter maximum **DIX**

maximum diameter of a portion of a tool item or adaptive item body that does not interfere with the tool changing operation

NOTE To be used in conjunction with tool changer interference length minimum.

Visible class:

71CE7A72B6DA7-002 cutting tool library

Applicable classes:

71EAD3871D313-002 converter
71E0250E32A07-002 cylindrical broach
71E01A00BD93C-002 drill
71E01A008D13F-002 mill
71E01A04A8AEC-002 ream
71EAD385E51A0-002 reducer
71E01A0EAF067-001 system tool

71CF2989AF0E0-001 **001** **NR2 S..3.3**

LEVEL_TYPE mm

tool changer interference length minimum **LIN**

minimum length of a portion of a tool item or adaptive item body that does not interfere with the tool changing operation

NOTE To be used in conjunction with tool interference diameter maximum.

Visible class:

71CE7A72B6DA7-002 cutting tool library

Applicable classes:

71EAD3871D313-002	converter
71E0250E32A07-002	cylindrical broach
71E01A00BD93C-002	drill
71E01A008D13F-002	mill
71E01A04A8AEC-002	ream
71EAD385E51A0-002	reducer
71E01A0EAF067-001	system tool

71D078F683C9B-002 **001** **NR2 S..3.6**

REAL_MEASURE_TYPE deg

tool cutting edge angle **KAPR**

angle between the tool cutting edge plane and the tool feed plane measured in a plane parallel the XZ-plane

ISO 3002-1:1982, 5.1.1.1

Illustration reference: [Figure E.1](#)

Visible class:

71CE7A72B6DA7-002 cutting tool library

Applicable classes:

71D1066F279AD-002 cartridge

71E01A008D13F-002 mill

71E01A05104CF-002 turn

71D078F6E9893-002 **002** **X1**

NON_QUANTITATIVE_CODE_TYPE

tool cutting edge angle type code **CEATC**

identifier for the direction of the cutting edge angle

ISO 5608:2012, 3.3

Visible class:

71CE7A72B6DA7-002 cutting tool library

Applicable classes:

71D1066F279AD-002 cartridge

71E01A05104CF-002 turn

Allowed values:

E = end cutting edge angle

ISO/TS 13399-3:2014(E)

S = side cutting edge angle

B = both-side and end cutting edge angle

P = pull back

71D078FD4E7BE-001 001 X1

NON_QUANTITATIVE_CODE_TYPE

tool holder shape code THSC

identifier for whether a tool item has a straight shank or an offset shank

NOTE Only applies to turning tools.

Visible class:

71CE7A72B6DA7-002 cutting tool library

Applicable classes:

71D1066F279AD-002 cartridge

71E01A05104CF-002 turn

Allowed values:

S = straight shank design

O = offset shank design

71D078F77616B-002 001 NR2 S..3.6

REAL_MEASURE_TYPE deg X17

tool lead angle PSIR

angle between the tool cutting edge plane and a plane perpendicular to the tool feed plane measured in a plane parallel the XZ-plane

ISO 3002-1:1982, 5.1.1.2

Illustration reference: [Figure E.1](#)

Visible class:

71CE7A72B6DA7-002 cutting tool library

Applicable classes:

71D1066F279AD-002 cartridge

71E01A008D13F-002 mill

71E01A05104CF-002 turn

71D078FBF6C68-001 001 X17

STRING_TYPE

tool style code **TSYC**

identifier for the main design or shape of tool item or adaptive item

NOTE A tool can be used for applications other than its main use.

Visible class:

71CE7A72B6DA7-002 cutting tool library

Applicable classes:

71EAD37F18F34-002 adaptive item type

71E01A004C775-002 tool item type

71EBBA9ED6C0A-001 **001** **X17**

STRING_TYPE

unit system **UST**

description of the system of units in which the characteristics of an item are defined

Visible class:

71CE7A72B6DA7-002 cutting tool library

Applicable classes:

71EAD37F18F34-002 adaptive item type

71E01A004C775-002 tool item type

71EBB33490FDA-001 **001** **NR2 S..3.3**

REAL_MEASURE_TYPE mm

usable length **LU**

recommended length of a cutting tool that can be used in a particular cutting operation

Illustration reference: [Figure E.5](#)

Visible class:

71CE7A72B6DA7-002 cutting tool library

Applicable classes:

71E02C544BABE-002 burr tool

71EAD3871D313-002 converter

71E01A00BD93C-002 drill

71E01A05D27A8-002 end mill

71E01A05B627B-002 face mill

71E01A0838E9B-001 prismatic broach

ISO/TS 13399-3:2014(E)

71E01A04A8AEC-002	ream
71EAD385E51A0-002	reducer
71E01A0540BE7-002	slab mill
71E01A081855D-002	tapered broach
71EF07E083383-002	threading grooving mill
71E01A04E0236-003	threading tap

71DCCC62CD9EE-001 001 NR2 S..3.3

REAL_TYPE

usable length diameter ratio ULDR

ratio between usable length maximum and cutting diameter

Visible class:

71CE7A72B6DA7-002	cutting tool library
-------------------	----------------------

Applicable classes:

71E01A0751456-002	conical drill
71FAE7AAE8247-001	core drill
71E01A06BF88D-002	counterbore drill
71E01A06A8A08-002	countersink drill
71E01A065F635-002	deep hole drill
71E01A05D27A8-002	end mill
71E01A04A8AEC-002	ream
71E01A0540BE7-002	slab mill
71E01A067F73C-002	step drill
71E01A0608FE4-002	twist drill

71CF2992BDBCC-001 002 NR2 S..3.3

LEVEL_TYPE mm

usable length maximum LUX

maximum length of a cutting tool that can be used in a particular cutting operation

NOTE The usable length can be limited by interference between the tool body and the workpiece.

Illustration reference: [Figure E.6](#)

Visible class:

71CE7A72B6DA7-002	cutting tool library
-------------------	----------------------

Applicable classes:

71E02C544BABE-002	burr tool
71EAD3871D313-002	converter
71E0250E32A07-002	cylindrical broach
71E01A00BD93C-002	drill
71E01A008D13F-002	mill
71E01A0838E9B-001	prismatic broach
71E01A04A8AEC-002	ream
71E01A081855D-002	tapered broach
71E01A04E0236-003	threading tap

71EAC823D95A7-001 **001** **X17**

STRING_TYPE

web taper **WBTP**

increase in web thickness from the front end of a fluted tool item towards the shank expressed by the ratio of the reduction in diameter and the length of measurement

ISO 5419

Visible class:

71CE7A72B6DA7-002 cutting tool library

Applicable classes:

71E01A0751456-002	conical drill
71E01A05D27A8-002	end mill
71EAC81A64368-001	regrinding
71E01A067F73C-002	step drill
71E01A04E0236-003	threading tap
71E01A0608FE4-002	twist drill

71EAC82313165-001 **001** **NR2 S..3.3**

REAL_MEASURE_TYPE mm

web thickness **WBTHK**

dimension of the web measured normal to the axis at the front end of a fluted tool item

ISO 5419

Visible class:

71CE7A72B6DA7-002 cutting tool library

ISO/TS 13399-3:2014(E)

Applicable classes:

71E01A0751456-002	conical drill
71E01A05D27A8-002	end mill
71EAC81A64368-001	regrinding
71E01A067F73C-002	step drill
71E01A04E0236-003	threading tap
71E01A0608FE4-002	twist drill

71CED03C97AAB-001 001 NR2 S..3.3

REAL_MEASURE_TYPE

kg

weight of item

WT

force exerted by the mass of an item

Visible class:

71CE7A72B6DA7-002	cutting tool library
-------------------	----------------------

Applicable classes:

71EAD37F18F34-002	adaptive item type
71E01A004C775-002	tool item type

71D0757C787B8-001 001 NR2 S..3.3

LEVEL_TYPE

mm

work piece parting diameter maximum CUTDIA

maximum diameter of solid work piece in a cut-off operation that can be cut without interference with any part of the tool item

Illustration reference: [Figure E.3](#)

Visible class:

71CE7A72B6DA7-002	cutting tool library
-------------------	----------------------

Applicable classes:

71D1066F279AD-002	cartridge
71E01A05104CF-002	turn

Annex E
(informative)

Illustrations of properties

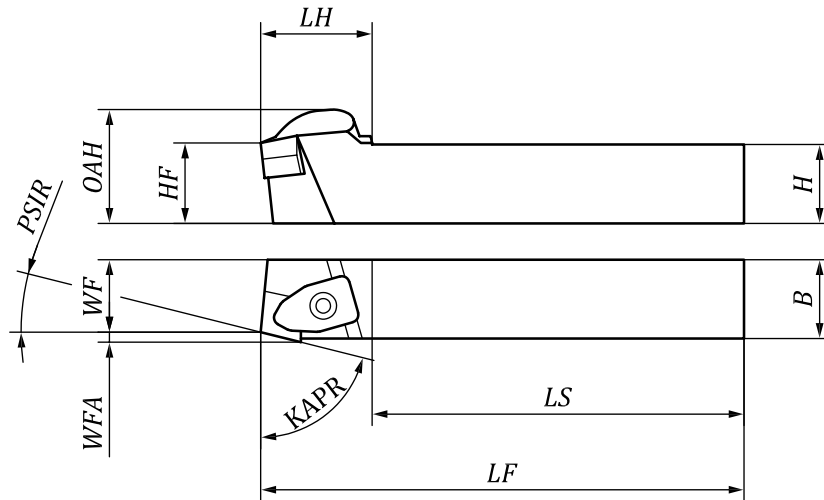


Figure E.1

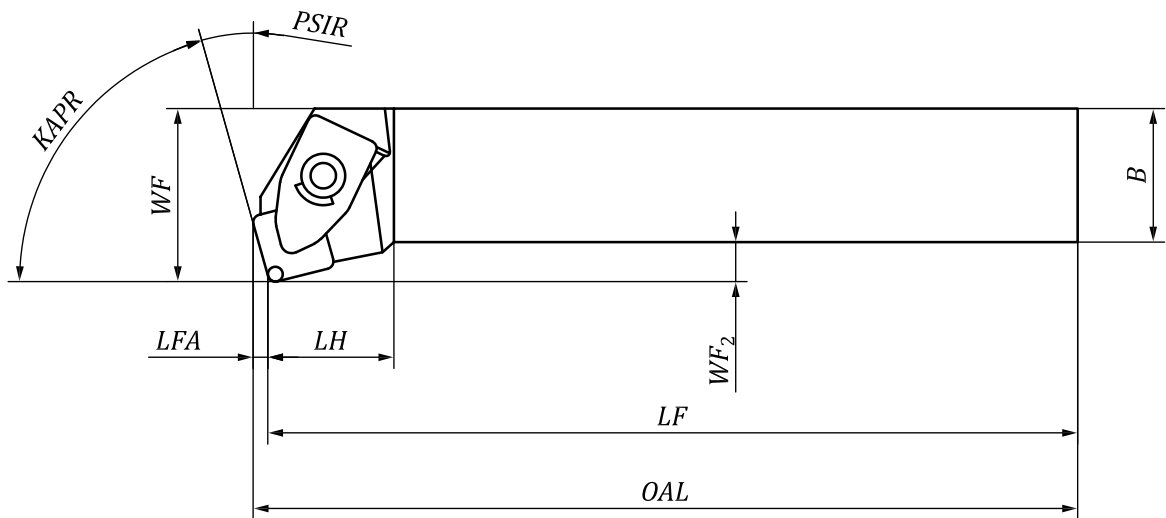


Figure E.2

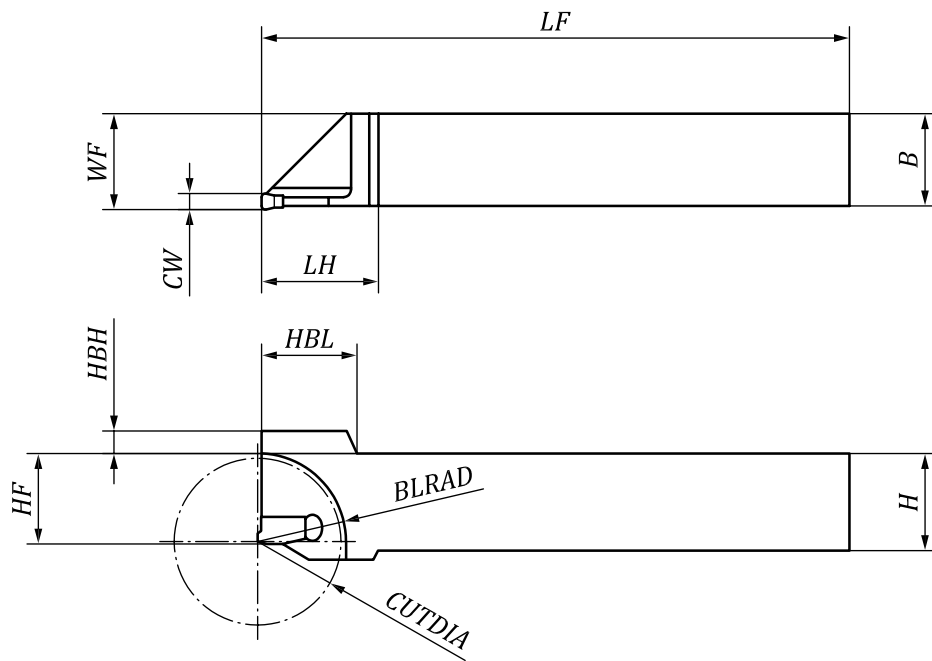


Figure E.3

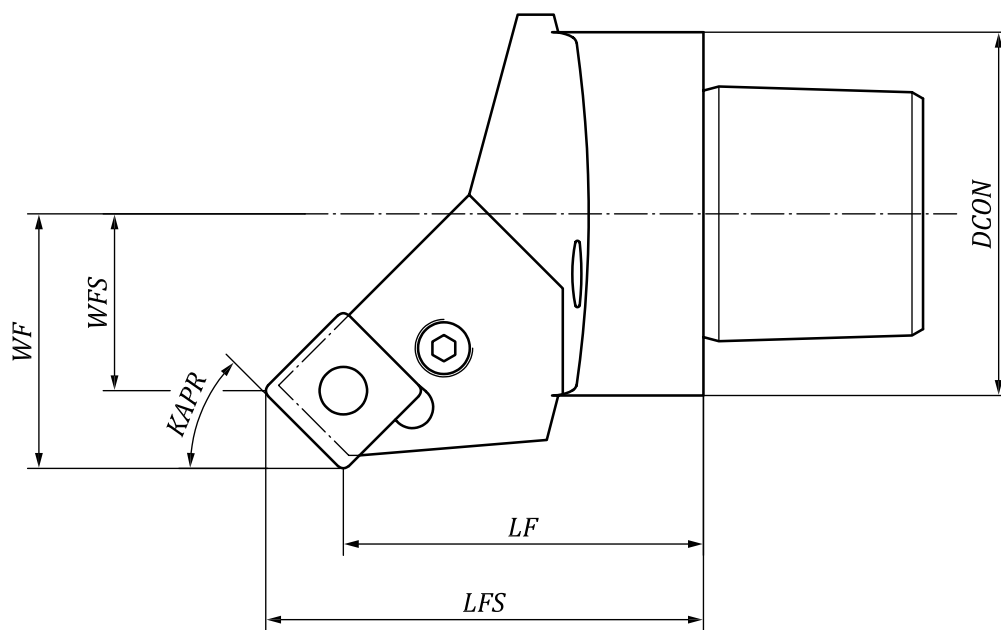


Figure E.4

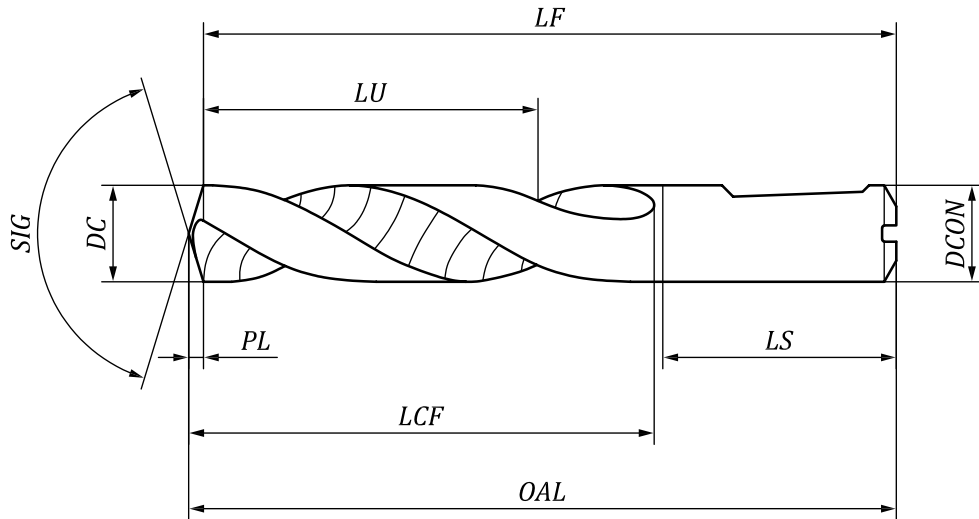


Figure E.5

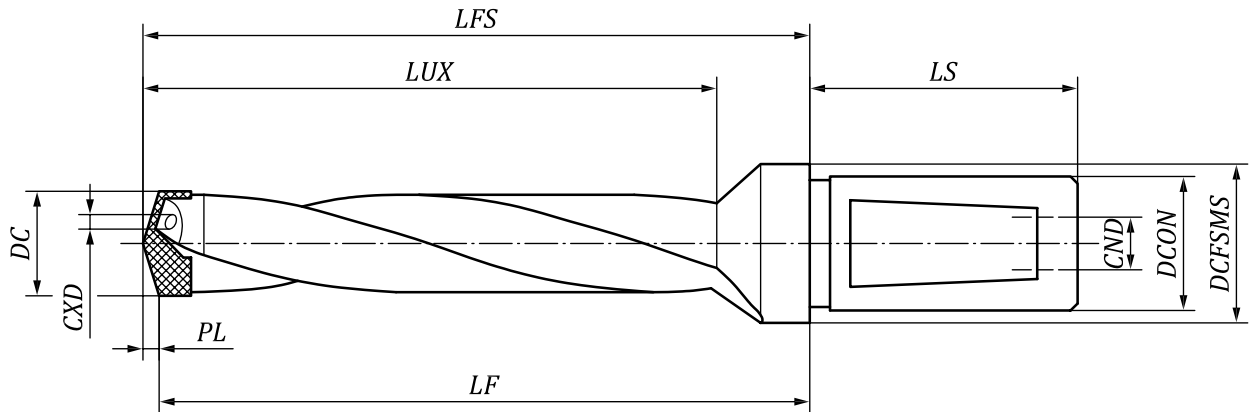


Figure E.6

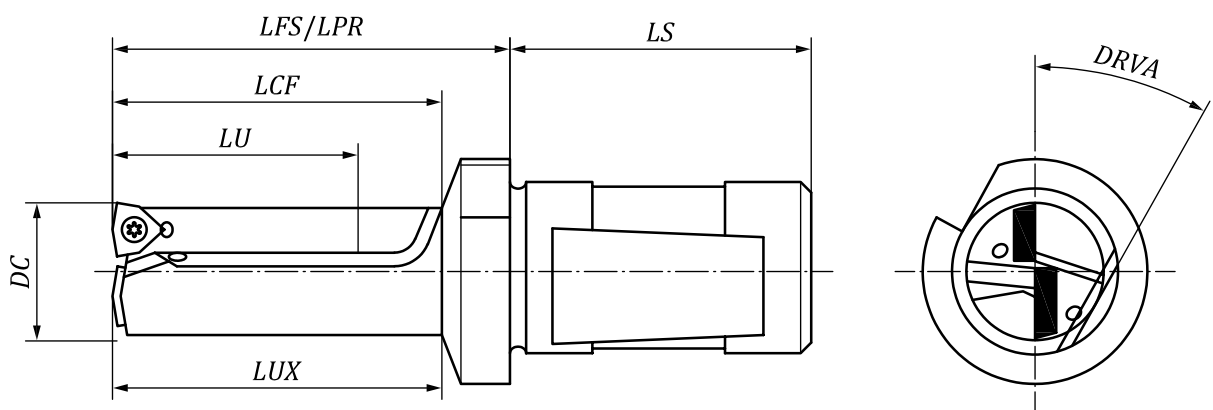


Figure E.7

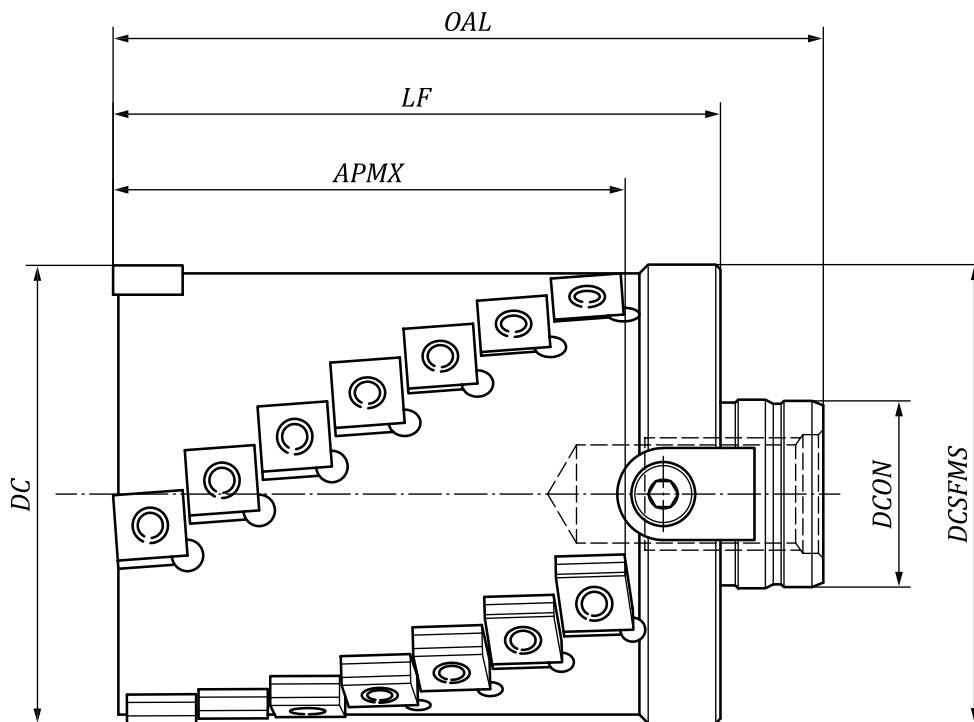


Figure E.8

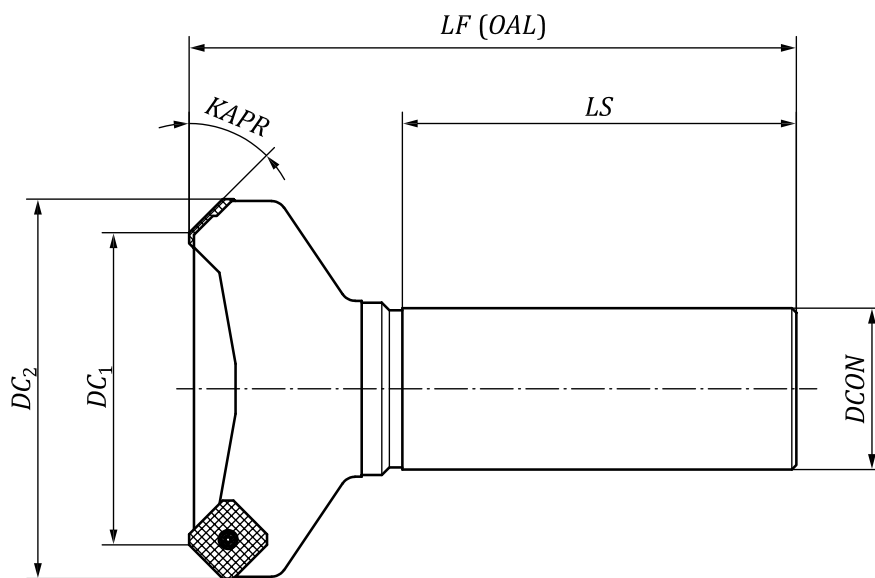


Figure E.9

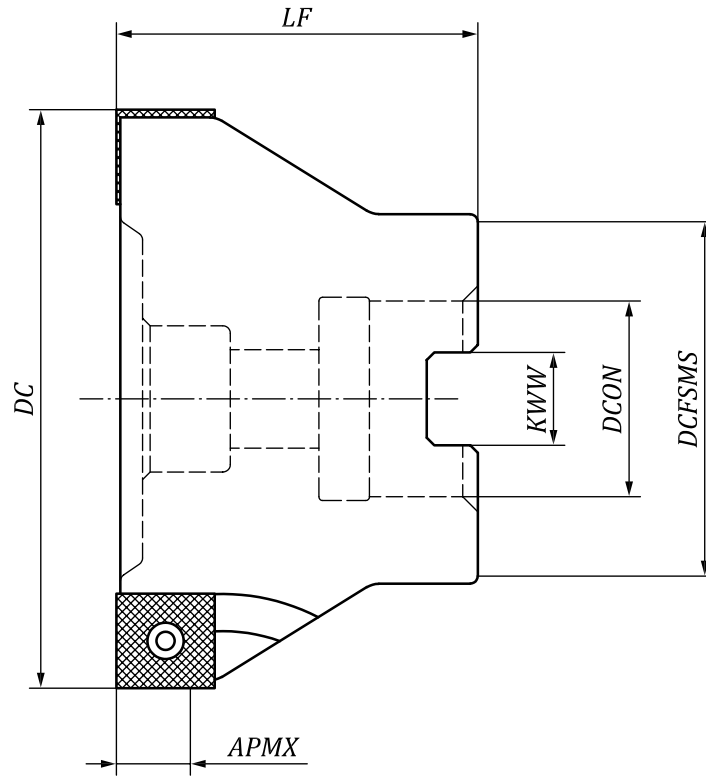


Figure E.10

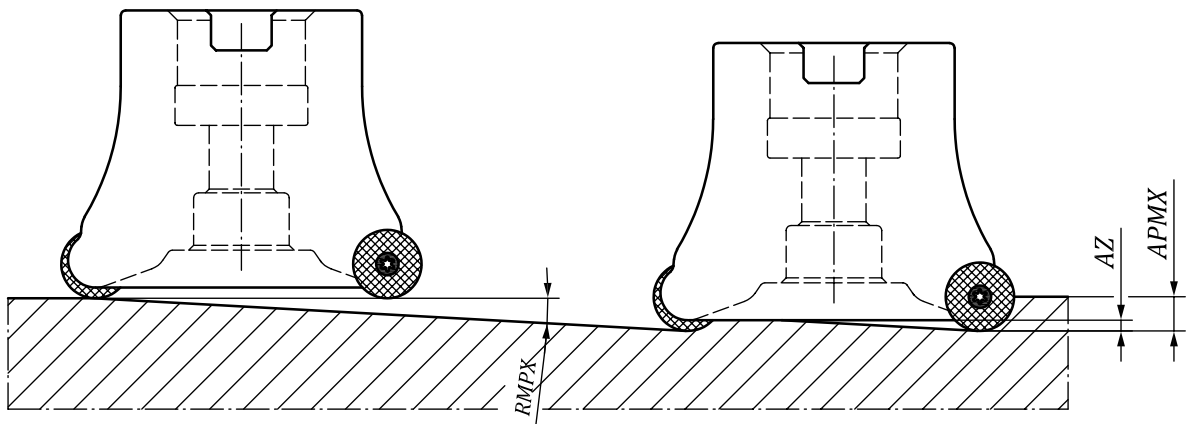


Figure E.11

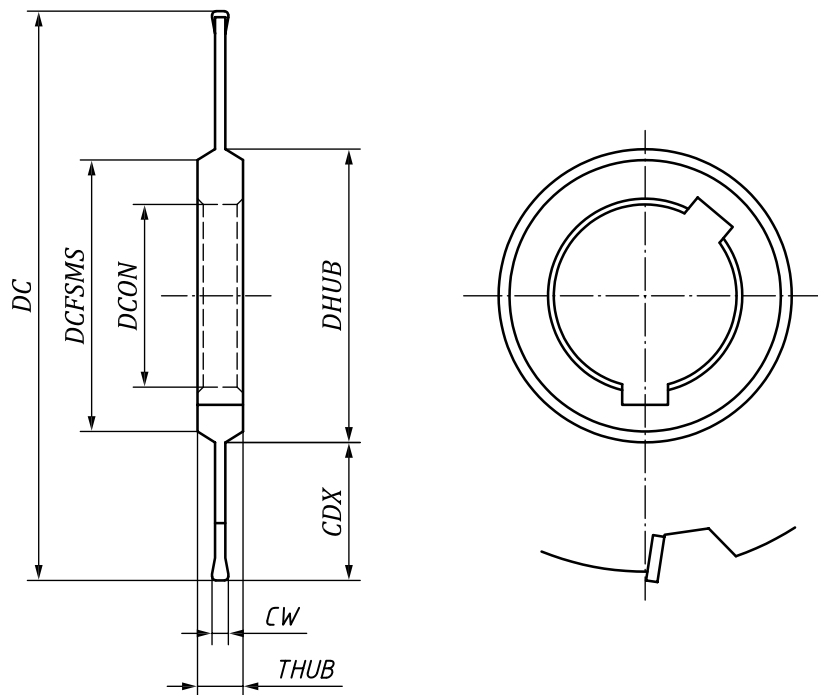


Figure E.12

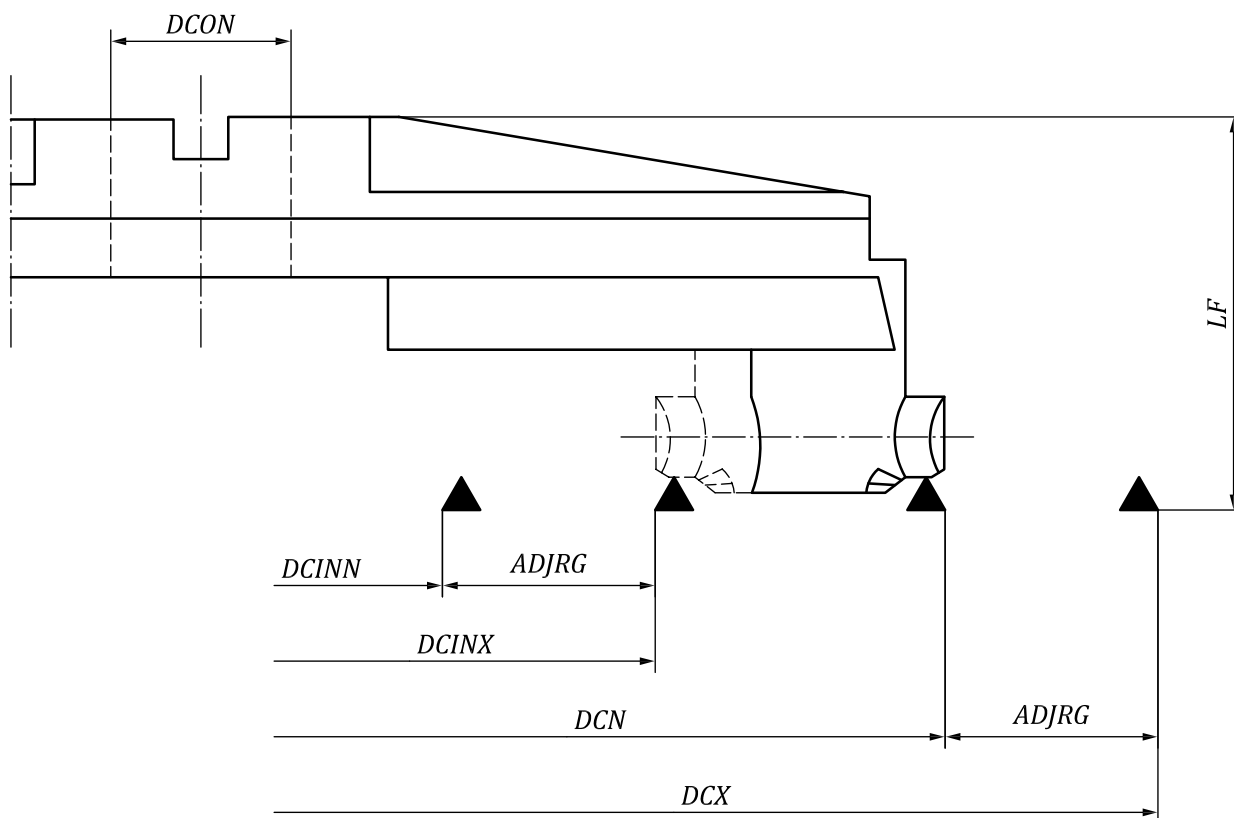


Figure E.13

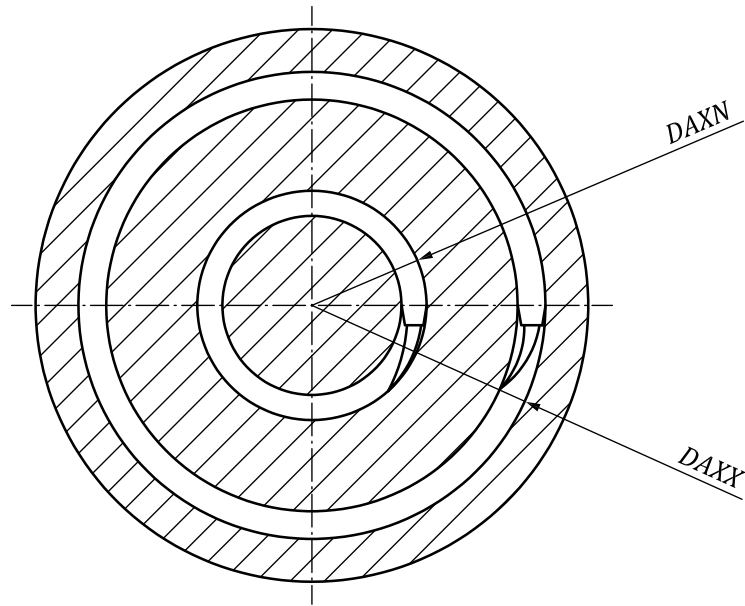


Figure E.14

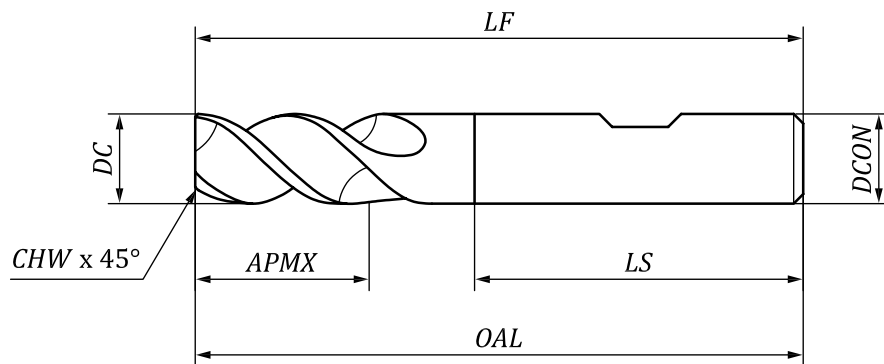


Figure E.15

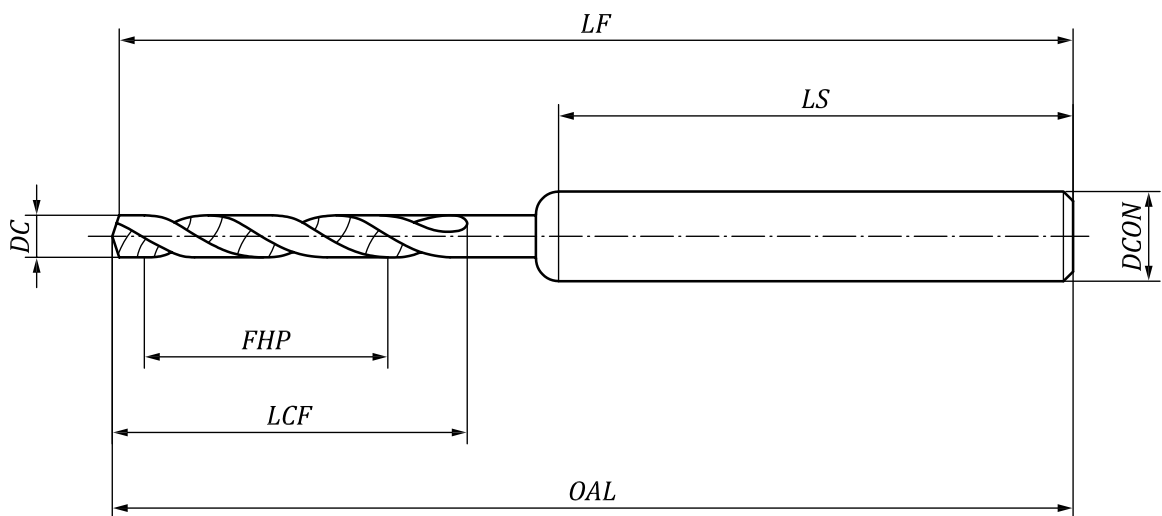


Figure E.16

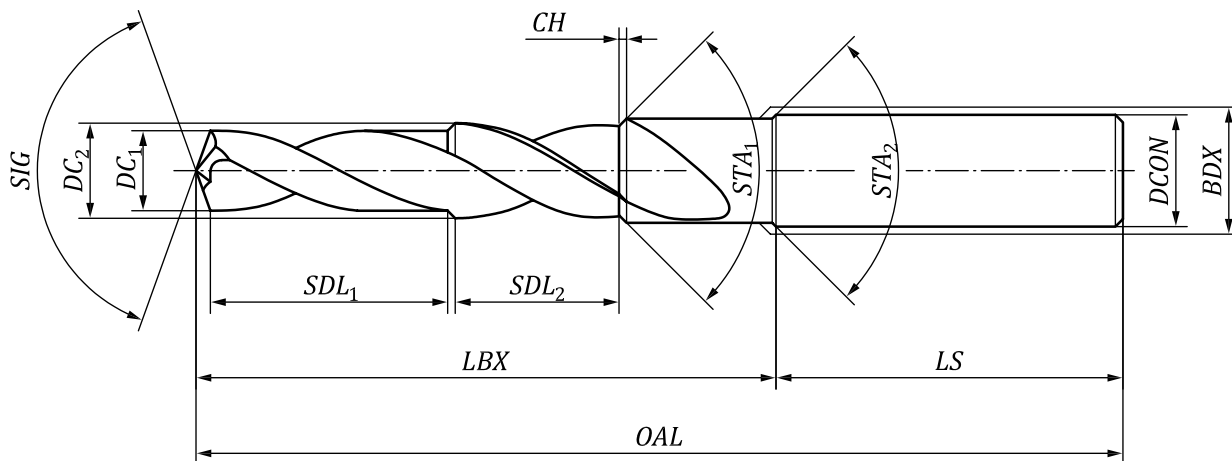


Figure E.17

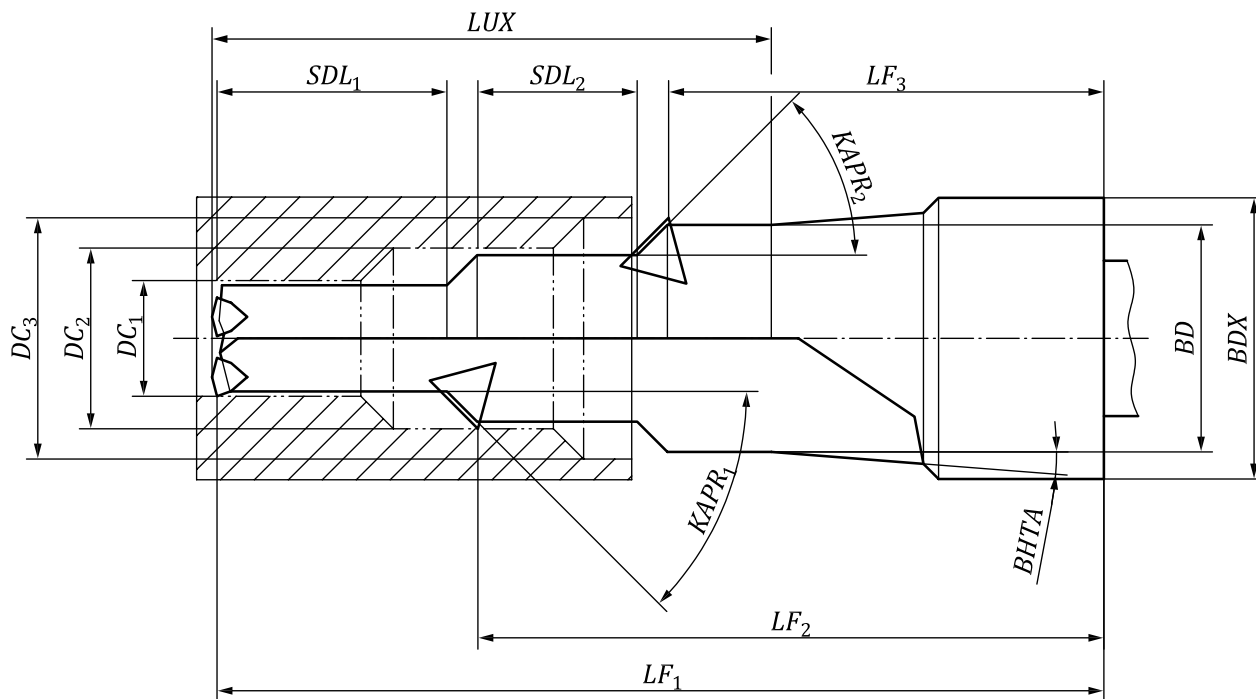


Figure E.18

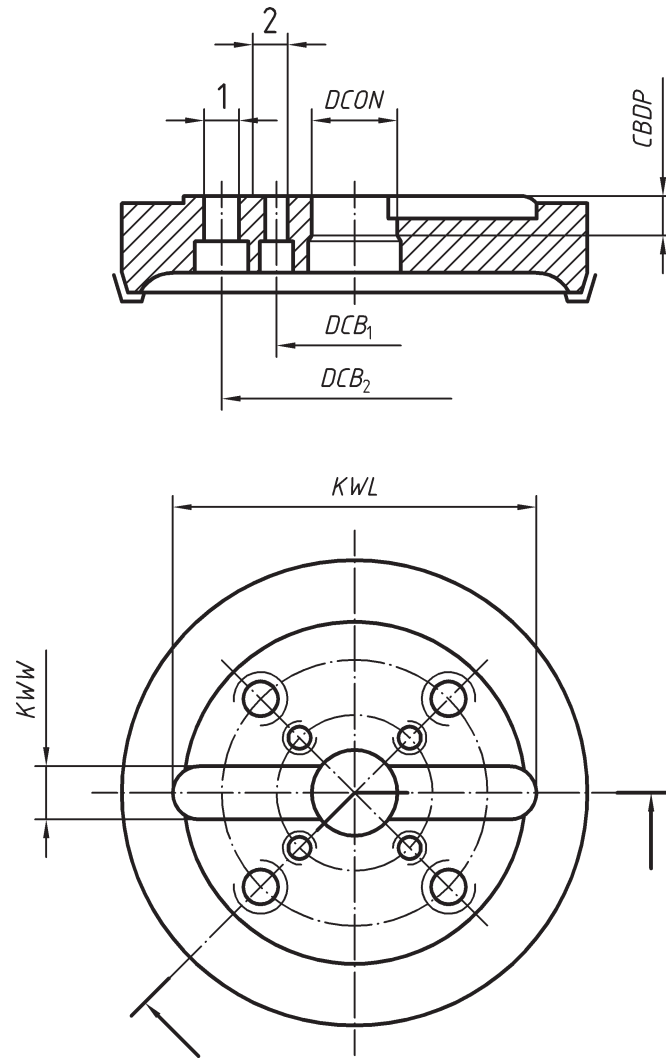


Figure E.19

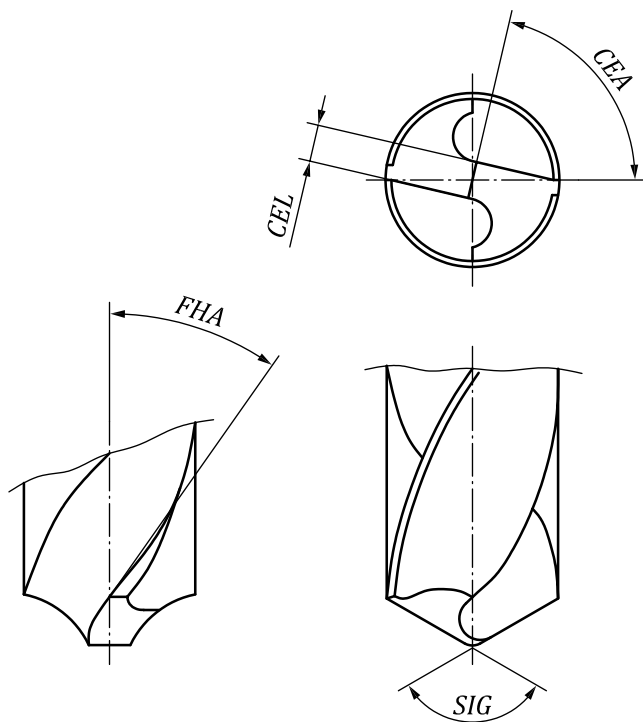


Figure E.20

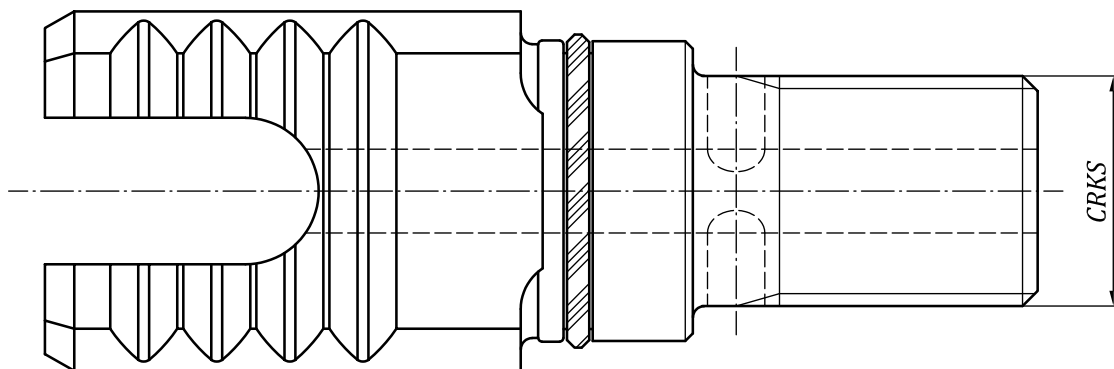


Figure E.21

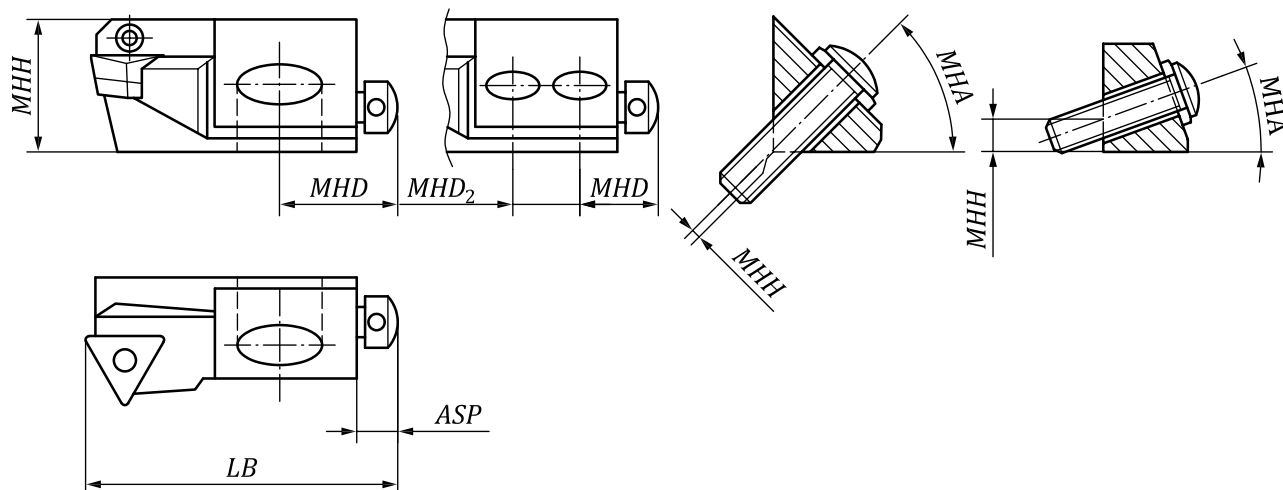


Figure E.22

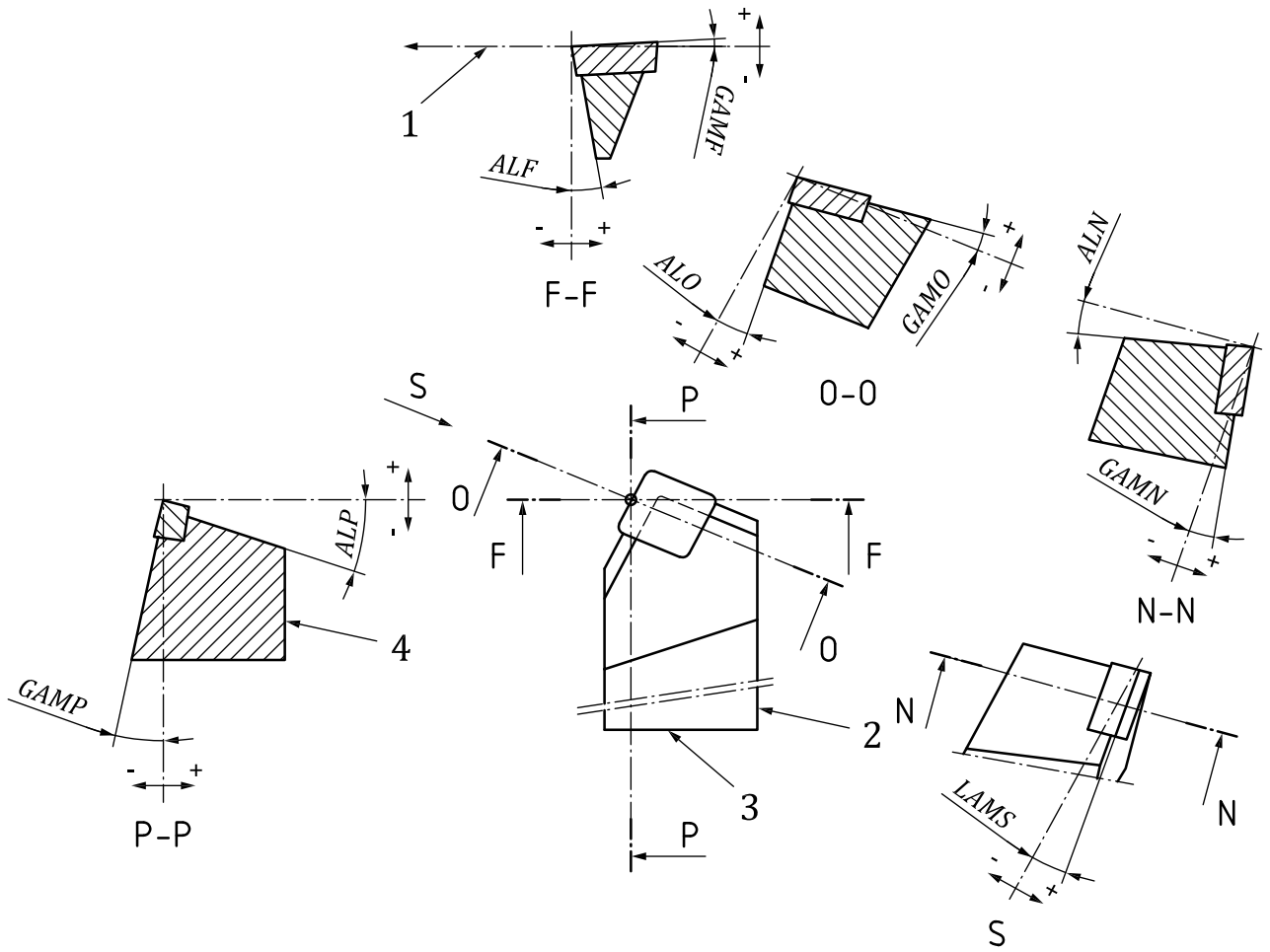


Figure E.23

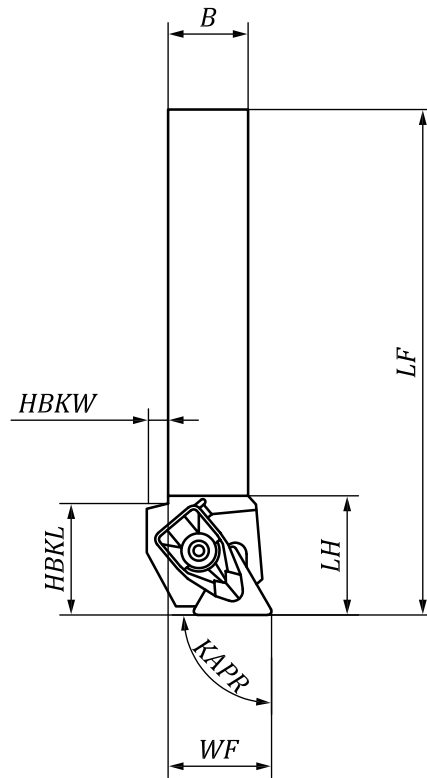


Figure E.24

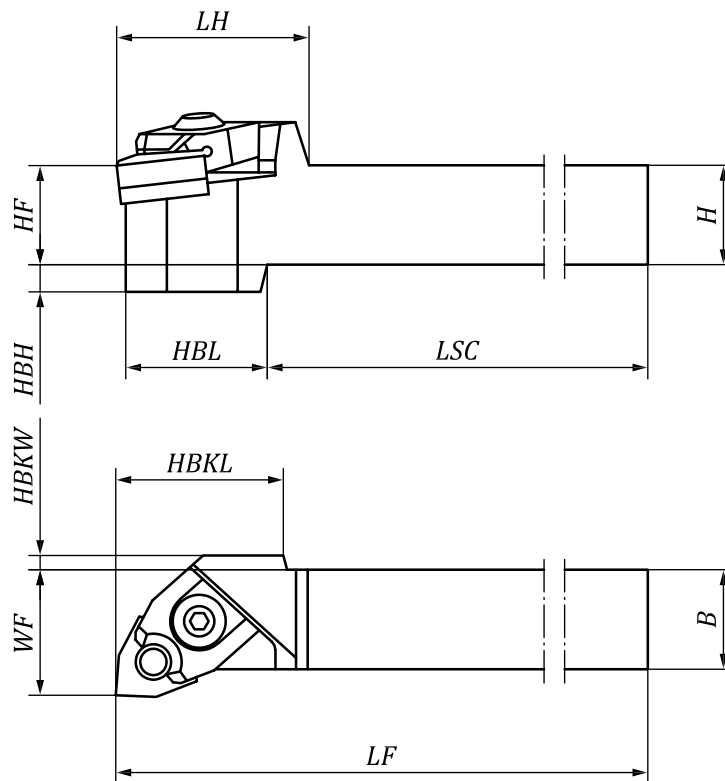


Figure E.25

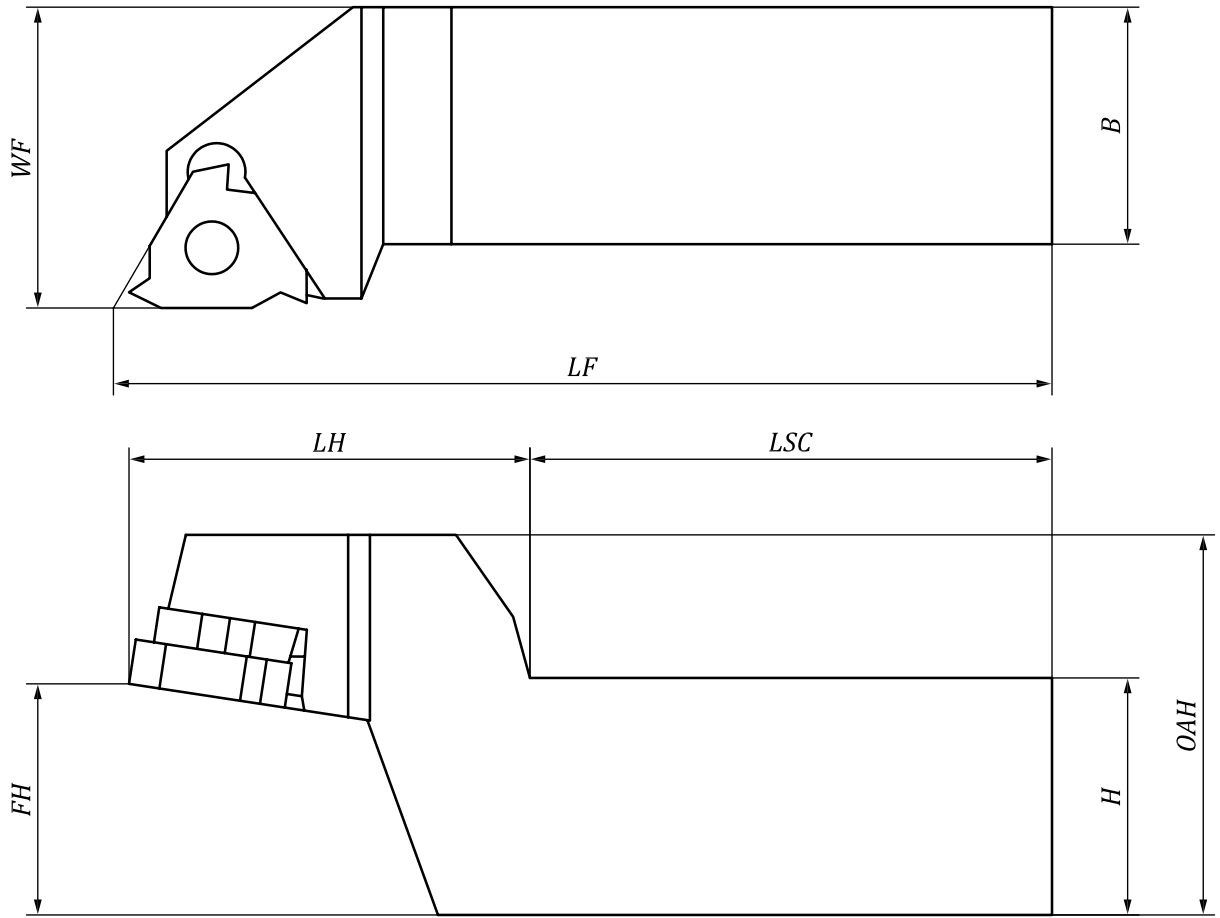


Figure E.26

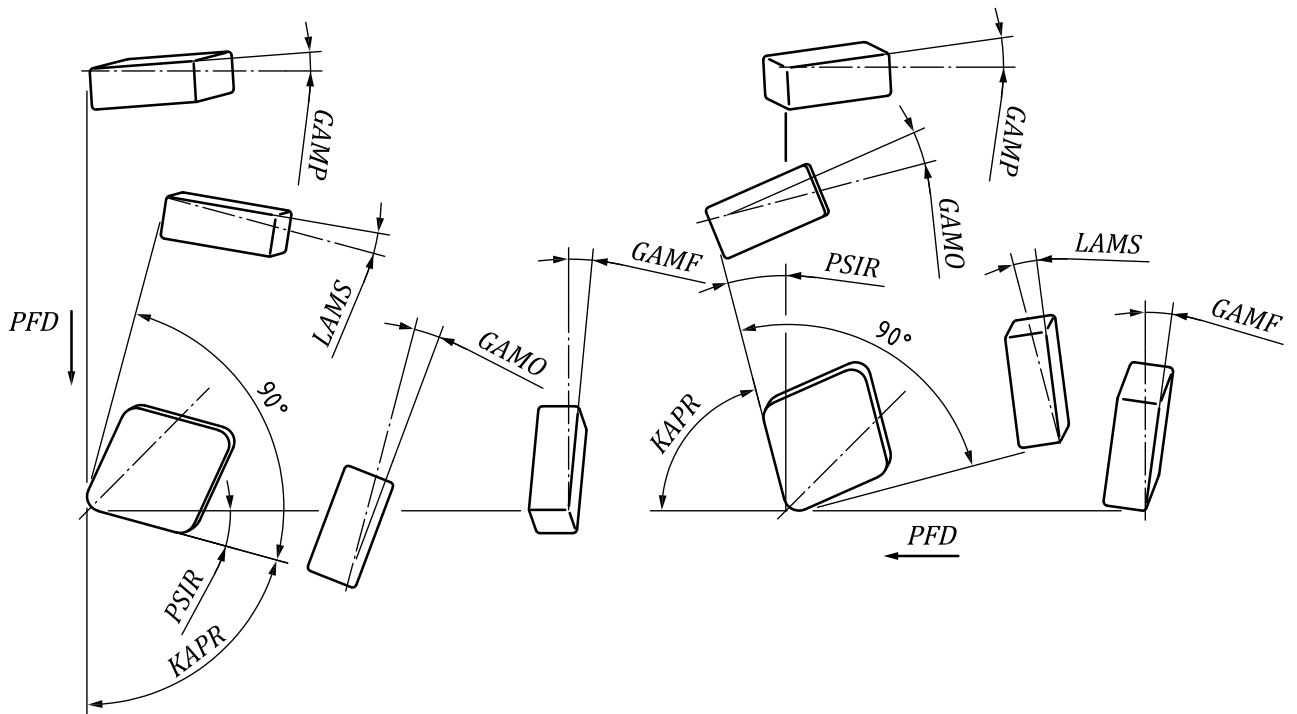


Figure E.27

Bibliography

- [1] ISO 3002-1:1982, *Basic quantities in cutting and grinding — Part 1: Geometry of the active part of cutting tools — General terms, reference systems, tool and working angles, chip breakers*
- [2] ISO 3002-3:1984, *Basic quantities in cutting and grinding — Part 3: Geometric and kinematic quantities in cutting*
- [3] ISO 3338-2:2013, *Cylindrical shanks for milling cutters — Part 2: Dimensional characteristics of flatted cylindrical shanks*
- [4] ISO 5419:1982, *Twist drills — Terms, definitions and types*
- [5] ISO 5608:2012, *Turning and copying tool holders and cartridges for indexable inserts — Designation*
- [6] ISO 5611:1995, *Cartridges, type A, for indexable inserts — Dimensions*
- [7] ISO 10303-1:1994, *Industrial automation systems and integration — Product data representation and exchange — Part 1: Overview and fundamental principles*
- [8] ISO 10303-11, *Industrial automation systems and integration — Product data representation and exchange — Part 11: Description methods: The EXPRESS language reference manual*
- [9] ISO 10303-21:2002, *Industrial automation systems and integration — Product data representation and exchange — Part 21: Implementation methods: Clear text encoding of the exchange structure*
- [10] ISO 10899:1996, *High-speed steel two-flute twist drills — Technical specifications*
- [11] ISO 13399-1:2006, *Cutting tool data representation and exchange — Part 1: Overview, fundamental principles and general information model*
- [12] ISO 13584-24:2003, *Industrial automation systems and integration — Parts library — Part 24: Logical resource: Logical model of supplier library*
- [13] ISO 13584-25:2004, *Industrial automation systems and integration — Parts library — Part 25: Logical resource: Logical model of supplier library with aggregate values and explicit content*
- [14] ISO 13584-42:2010, *Industrial automation systems and integration — Parts library — Part 42: Description methodology: Methodology for structuring parts families*
- [15] ISO 13584-511:2006, *Industrial automation systems and integration — Parts library — Part 511: Mechanical systems and components for general use — Reference dictionary for fasteners*
- [16] ISO 5609-1:2012, *Tool holders for internal turning with cylindrical shank for indexable inserts — Part 1: Designation, styles, dimensions and calculation for corrections*
- [17] ISO 5610-1:2010, *Tool holders with rectangular shank for indexable inserts — Part 1: General survey, correlation and determination of dimensions*

