
**Health informatics — Personal health
device communication —**

Part 10421:

**Device specialization — Peak expiratory
flow monitor (peak flow)**

*Informatique de santé — Communication entre dispositifs de santé
personnels —*

*Partie 10421: Spécialisation de dispositif — Moniteur du flux expiratoire
de crête (flux de crête)*



Reference number
ISO/IEEE 11073-10421:2012(E)



© ISO 2012
© IEEE 2012



COPYRIGHT PROTECTED DOCUMENT

© ISO 2012

© IEEE 2012

All rights reserved. Unless otherwise specified, no part of this publication may be reproduced or utilized in any form or by any means, electronic or mechanical, including photocopying and microfilm, without permission in writing from either ISO or IEEE at the respective address below.

ISO copyright office
Case postale 56 • CH-1211 Geneva 20
Tel. + 41 22 749 01 11
Fax + 41 22 749 09 47
E-mail copyright@iso.org
Web www.iso.org

Institute of Electrical and Electronics Engineers, Inc.
3 Park Avenue, New York • NY 10016-5997, USA
E-mail stds.ipr@ieee.org
Web www.ieee.org

Published in Switzerland

Contents

1. Overview	1
1.1 Scope	1
1.2 Purpose	2
1.3 Context	2
2. Normative references.....	2
3. Definitions, acronyms, and abbreviations	2
3.1 Definitions	3
3.2 Acronyms and abbreviations	3
4. Introduction to ISO/IEEE 11073 personal health devices	4
4.1 General	4
4.2 Introduction to ISO/IEEE 11073-20601 modeling constructs	4
5. Peak expiratory flow monitor device concepts and modalities.....	5
5.1 General	5
5.2 PEF	5
6. Peak expiratory flow monitor domain information model	7
6.1 Overview	7
6.2 Class extensions.....	7
6.3 Object instance diagram	7
6.4 Types of configuration.....	9
6.5 Medical device system object.....	9
6.6 Numeric objects.....	13
6.7 Real-time sample array objects.....	20
6.8 Enumeration objects	20
6.9 PM-store objects	22
6.10 Scanner objects	22
6.11 Class extension objects.....	22
6.12 Peak expiratory flow monitor information model extensibility rules	22
7. Peak expiratory flow monitor service model.....	22
7.1 General	22
7.2 Object access services.....	22
7.3 Object access event report services	23

8. Peak expiratory flow monitor communication model	24
8.1 Overview	24
8.2 Communications characteristics	24
8.3 Association procedure	24
8.4 Configuring procedure	26
8.5 Operating procedure	28
8.6 Time synchronization	29
9. Test associations	29
9.1 Behavior with standard configuration	29
9.2 Behavior with extended configurations	30
10. Conformance	30
10.1 Applicability	30
10.2 Conformance specification	30
10.3 Levels of conformance	30
10.4 Implementation conformance statements	31
Annex A (informative) Bibliography	36
Annex B (normative) Any additional ASN.1 definitions	37
Annex C (normative) Allocation of identifiers	38
Annex D (informative) Message sequence examples	39
Annex E (informative) Protocol data unit examples	41
Annex F (informative) IEEE list of participants	52

© ISO 2012 – All rights reserved
© IEEE 2012 – All rights reserved

Foreword

ISO (the International Organization for Standardization) is a worldwide federation of national standards bodies (ISO member bodies). The work of preparing International Standards is normally carried out through ISO technical committees. Each member body interested in a subject for which a technical committee has been established has the right to be represented on that committee. International organizations, governmental and non-governmental, in liaison with ISO, also take part in the work. ISO collaborates closely with the International Electrotechnical Commission (IEC) on all matters of electrotechnical standardization.

IEEE Standards documents are developed within the IEEE Societies and the Standards Coordinating Committees of the IEEE Standards Association (IEEE-SA) Standards Board. The IEEE develops its standards through a consensus development process, approved by the American National Standards Institute, which brings together volunteers representing varied viewpoints and interests to achieve the final product. Volunteers are not necessarily members of the Institute and serve without compensation. While the IEEE administers the process and establishes rules to promote fairness in the consensus development process, the IEEE does not independently evaluate, test, or verify the accuracy of any of the information contained in its standards.

The main task of technical committees is to prepare International Standards. Draft International Standards adopted by the technical committees are circulated to the member bodies for voting. Publication as an International Standard requires approval by at least 75 % of the member bodies casting a vote.

Attention is called to the possibility that implementation of this standard may require the use of subject matter covered by patent rights. By publication of this standard, no position is taken with respect to the existence or validity of any patent rights in connection therewith. ISO/IEEE is not responsible for identifying essential patents or patent claims for which a license may be required, for conducting inquiries into the legal validity or scope of patents or patent claims or determining whether any licensing terms or conditions provided in connection with submission of a Letter of Assurance or a Patent Statement and Licensing Declaration Form, if any, or in any licensing agreements are reasonable or non-discriminatory. Users of this standard are expressly advised that determination of the validity of any patent rights, and the risk of infringement of such rights, is entirely their own responsibility. Further information may be obtained from ISO or the IEEE Standards Association.

ISO/IEEE 11073-10421 was prepared by the IEEE 11073 Standards Committee of the IEEE Engineering in Medicine and Biology Society (as IEEE Std 11073-10421-2010). It was adopted by Technical Committee ISO/TC 215, *Health informatics*, in parallel with its approval by the ISO member bodies, under the “fast-track procedure” defined in the Partner Standards Development Organization cooperation agreement between ISO and IEEE. IEEE is responsible for the maintenance of this document with participation and input from ISO member bodies.

ISO/IEEE 11073 consists of the following parts, under the general title *Health informatics — Personal health device communication* (text in parentheses gives a variant of subtitle):

- *Part 10101: (Point-of-care medical device communication) Nomenclature*
- *Part 10201: (Point-of-care medical device communication) Domain information model*
- *Part 10404: Device specialization — Pulse oximeter*
- *Part 10407: Device specialization — Blood pressure monitor*
- *Part 10408: Device specialization — Thermometer*
- *Part 10415: Device specialization — Weighing scale*

ISO/IEEE 11073-10421:2012(E)

- *Part 10417: Device specialization — Glucose meter*
- *Part 10420: Device specialization — Body composition analyzer*
- *Part 10421: Device specialization — Peak expiratory flow monitor (peak flow)*
- *Part 10471: Device specialization — Independent living activity hub*
- *Part 10472: Device specialization — Medication monitor*
- *Part 20101: (Point-of-care medical device communication) Application profiles — Base standard*
- *Part 20601: Application profile — Optimized exchange protocol*
- *Part 30200: (Point-of-care medical device communication) Transport profile — Cable connected*
- *Part 30300: (Point-of-care medical device communication) Transport profile — Infrared wireless*
- *Part 30400: (Point-of-care medical device communication) Interface profile — Cabled Ethernet*
- *Part 90101: (Point-of-care medical device communication) Analytical instruments — Point-of-care test*
- *Part 91064: (Standard communication protocol) Computer-assisted electrocardiography*
- *Part 92001: (Medical waveform format) — Encoding rules*

Introduction

This introduction is not part of IEEE Std 11073-10421-2010, Health informatics—Personal health device communication—Part 10421: Device specialization—Peak expiratory flow monitor (peak flow).

ISO/IEEE 11073 standards enable communication between medical devices and external computer systems. This document uses the optimized framework created in IEEE Std 11073-20601-2008^a and describes a specific, interoperable communication approach for weighing scales. These standards align with, and draw upon, the existing clinically focused standards to provide support for communication of data from clinical or personal health devices

^a For information on references, see Clause 2.

Health informatics — Personal health device communication —

Part 10421:

Device specialization — Peak expiratory flow monitor (peak flow)

IMPORTANT NOTICE: *This standard is not intended to ensure safety, security, health, or environmental protection. Implementers of the standard are responsible for determining appropriate safety, security, environmental, and health practices or regulatory requirements.*

This IEEE document is made available for use subject to important notices and legal disclaimers. These notices and disclaimers appear in all publications containing this document and may be found under the heading “Important Notice” or “Important Notices and Disclaimers Concerning IEEE Documents.” They can also be obtained on request from IEEE or viewed at <http://standards.ieee.org/IPR/disclaimers.html>.

1 Overview

1.1 Scope

The scope of this standard is to establish a normative definition of communication between personal telehealth peak flow monitoring devices (agents) and managers (e.g., cell phones, personal computers, personal health appliances, and set top boxes) in a manner that enables plug-and-play interoperability. It leverages work done in other ISO/IEEE 11073 standards including existing terminology, information profiles, application profile standards, and transport standards. It specifies the use of specific term codes, formats, and behaviors in telehealth environments restricting optionality in base frameworks in favor of interoperability. This standard defines a common core of functionality of a peak-flow monitoring device. The use case is restricted to personal respiratory monitoring and therefore does not include hospital-based spirometry. Continuous and high-acuity monitoring (e.g., for emergency response) are outside the scope of the use case.

In the context of personal health devices, a peak flow meter is a device used to measure the respiratory function of those managing respiratory conditions such as asthma and chronic obstructive pulmonary disease. The ability to identify declining respiratory status prior to the need for acute intervention improves the quality of life for the individual while reducing the overall costs of care. Respiratory status data are collected by a personal respiratory monitoring device and forwarded to a central data repository for review and action by a health care provider. The data are episodic in nature and are forwarded at designated intervals or when the person is symptomatic.

This standard provides the data modeling and its transport shim layer according to IEEE Std 11073-20601™-2008 and does not specify the measurement method.

1.2 Purpose

This standard addresses a need for an openly defined, independent standard for controlling information exchange to and from personal health devices (agents) and managers (e.g. cell phones, personal computers, personal health appliances, set top boxes). Interoperability is key to growing the potential market for these devices and enabling people to be better informed participants in the management of their health.

1.3 Context

See IEEE Std 11073-20601-2008 for an overview of the environment within which this standard is written.

This standard defines the device specialization for the peak expiratory flow monitor, being a specific agent type, and it provides a description of the device concepts, its capabilities, and its implementation according to this standard.

This standard is based on IEEE Std 11073-20601-2008, which in turn draws information from both ISO/IEEE Std 11073-10201:2004 [B2]¹ and ISO/IEEE Std 11073-20101:2004 [B3]. The medical device encoding rules (MDERs) used within this standard are fully described in IEEE Std 11073-20601-2008.

This standard reproduces relevant portions of the nomenclature found in ISO/IEEE 11073-10101:2004 [B1] and adds new nomenclature codes for the purposes of this standard. Between this standard and IEEE Std 11073-20601-2008 all required nomenclature codes for implementation are documented.

NOTE—In this standard, ISO/IEEE P11073-104zz is used to refer to the collection of device specialization standards that utilize IEEE Std 11073-20601-2008, where zz can be any number from 01 to 99, inclusive.²

2 Normative references

The following referenced documents are indispensable for the application of this document (i.e., they must be understood and used, so that each referenced document is cited in text and its relationship to this document is explained). For dated references, only the edition cited applies. For undated references, the latest edition of the referenced document (including any amendments or corrigenda) applies.

IEEE Std 11073-20601™-2008, Health informatics—Personal health device communication—Application profile—Optimized Exchange Protocol.^{3,4}

See Annex A for all informative material referenced by this standard.

NOTE—IEEE Std 11073-20601-2008 is referenced throughout this standard as IEEE Std 11073-20601.

¹ The numbers in brackets correspond to those of the bibliography in Annex A.

² Notes in text, tables, and figures are given for information only and do not contain requirements needed to implement the standard.

³ The IEEE standards or products referred to in this clause are trademarks of the Institute of Electrical and Electronics Engineers, Inc.

⁴ IEEE publications are available from the Institute of Electrical and Electronics Engineers, 445 Hoes Lane, Piscataway, NJ 08854, USA (<http://standards.ieee.org/>).

3 Definitions, acronyms, and abbreviations

3.1 Definitions

For the purposes of this document, the following terms and definitions apply. *The IEEE Standards Dictionary: Glossary of Terms & Definitions* should be referenced for terms not defined in this clause.⁵

- 3.1.1 agent:** A node that collects and transmits personal health data to an associated manager.
- 3.1.2 class:** In object-oriented modeling, a class describes the attributes, methods, and events that objects instantiated from the class utilize.
- 3.1.3 compute engine:** *See: manager.*
- 3.1.4 device:** A term used to refer to a physical apparatus implementing either an agent or a manager role.
- 3.1.5 forced expiratory volume:** The expiratory volume of a subject under forced conditions at time t in seconds, measured from time zero.
- 3.1.6 handle:** An unsigned 16-bit number that is locally unique and identifies one of the object instances within an agent.
- 3.1.7 manager:** A node receiving data from one or more agent systems. Some examples of managers include a cellular phone, health appliance, set top box, or a computer system.
- 3.1.8 obj-handle:** *See: handle.*
- 3.1.9 object:** In object-oriented modeling, a particular instantiation of a class. The instantiation realizes attributes, methods, and events from the class.
- 3.1.10 peak expiratory flow:** maximum flow measured at the mouth during an expiration delivered with maximal force starting immediately after achieving maximum lung inflation.
- 3.1.11 peak expiratory flow monitor:** A medical device used to measure the respiratory function of those managing respiratory conditions such as asthma.
- 3.1.12 personal best:** This value is determined by a healthcare professional or based on predicted average peak flow and is typically the highest peak expiratory flow (PEF) reading an individual can obtain while in peak condition.
- 3.1.13 personal health device:** A device used in personal health applications.
- 3.1.14 personal telehealth device:** *See: personal health device.*
- 3.1.15 predicted average peak flow:** The value of peak expiratory flow that is calculated based on the user's age, height, and sex to serve as a benchmark for the user's measurements.
- 3.1.16 time zero:** In the context of this document, time zero is the instant at which a user starts blowing into the peak-flow monitor to record a measurement.

3.2 Acronyms and abbreviations

APDU	application protocol data unit
ASN.1	Abstract Syntax Notation One
DIM	domain information model
EUI-64	extended unique identifier (64 bits)
FEV	forced expiratory volume

⁵ *The IEEE Standards Dictionary: Glossary of Terms & Definitions* is available at <http://shop.ieee.org/>.

FEV1	forced expiratory volume in 1 s
FEV6	forced expiratory volume in 6 s
ICS	implementation conformance statements
MDC	medical device communication
MDER	medical device encoding rules
MDS	medical device system
MOC	managed object class
OID	object identified
PDU	protocol data unit
PEF	peak expiratory flow
PHD	personal health device
VMO	virtual medical object
VMS	virtual medical system

4 Introduction to ISO/IEEE 11073 personal health devices

4.1 General

This standard and the remainder of the series of ISO/IEEE 11073 personal health device (PHD) standards fit in the larger context of the ISO/IEEE 11073 series of standards. The full suite of standards enables agents to interconnect and interoperate with managers and with computerized health-care information systems. See IEEE Std 11073-20601 for a description of the guiding principles for this series of ISO/IEEE 11073 Personal Health Device standards.

IEEE Std 11073-20601 supports the modeling and implementation of an extensive set of personal health devices. This standard defines aspects of the peak expiratory flow monitor device. It describes all aspects necessary to implement the application layer services and data exchange protocol between an ISO/IEEE 11073 PHD peak expiratory flow monitor agent and a manager. This standard defines a subset of the objects and functionality contained in IEEE Std 11073-20601 and extends and adds definitions where appropriate. All new definitions are given in Annex B in Abstract Syntax Notation One (ASN.1) [B4]. Nomenclature codes referenced in this standard, which are not defined in IEEE Std 11073-20601, are normatively defined in Annex C.

4.2 Introduction to IEEE 11073-20601 modeling constructs

4.2.1 General

The ISO/IEEE 11073 series of standards, and in particular IEEE Std 11073-20601, is based on an object-oriented systems management paradigm. The overall system model is divided into three principal components: the domain information model (DIM), the service model, and the communication model. See IEEE Std 11073-20601 for a detailed description of the modeling constructs.

4.2.2 Domain information model

The DIM is a hierarchical model that describes an agent as a set of objects. These objects and their attributes represent the elements that control behavior and report on the status of the agent and data that an agent can communicate to a manager. Communication between the agent and the manager is defined by the application protocol in IEEE Std 11073-20601.

4.2.3 Service model

The service model defines the conceptual mechanisms for the data exchange services. Such services are mapped to messages that are exchanged between the agent and the manager. Protocol messages within the ISO/IEEE 11073 series of standards are defined in ASN.1. The messages defined in IEEE Std 11073-20601

can coexist with messages defined in other standard application profiles defined in the ISO/IEEE 11073 series of standards.

4.2.4 Communication model

In general, the communication model supports the topology of one or more agents communicating over logical point-to-point connections to a single manager. For each logical point-to-point connection, the dynamic system behavior is defined by a connection state machine as specified in IEEE Std 11073-20601. The security of this communication is largely determined by, but not limited to, the physical security of the device along with the inherent security of the underlying transports. Additional security may be defined by future revisions of IEEE Std 11073-20601.

4.2.5 Implementing the models

An agent implementing this standard shall implement all mandatory elements of the information, service, and communication models as well as all conditional elements where the condition is met. The agent should implement the recommended elements, and it may implement any combination of the optional elements. A manager implementing this standard shall utilize at least one of the mandatory, conditional, recommended, or optional elements. In this context, “utilize” means to use the element as part of the primary function of the manager device. For example, a manager whose primary function is to display data would need to display a piece of data in the element in order to utilize it.

5 Peak expiratory flow monitor device concepts and modalities

5.1 General

This clause presents the general concepts of peak expiratory flow monitor devices. In the context of personal health devices in this family of standards, a peak expiratory flow monitor is a device that measures the respiratory function of those managing respiratory conditions such as asthma. In general, the peak expiratory flow monitor will be taking measurements of the lung function of the subject by recording the flow and volume of air during exhalation with maximum effort. Typically, a peak expiratory flow monitor accomplishes this task by measuring and recording peak expiratory flow (PEF) and forced expiratory volume in 1 s (FEV1). In some cases, forced expiratory volume in 6 s (FEV6) is also measured.

The methods to determine PEF and forced expiratory volume (FEV) vary, but common methods include the use of pressure sensors, mechanical turbines, piezo-electric crystals, and so on as sensors. The subject is required to deliver an expiration with maximal force into a mouthpiece that channels the air to the sensor. Typically, the sensor will measure airflow to determine PEF, and from the area of the tube in which the sensor is placed, the volume (FEV1 or FEV6) may be calculated.

5.2 PEF

PEF is a measure of how fast an individual can push air out of their lungs after taking a maximal inspiration and followed by a maximal expiration. PEF is measured in liters per minute. Figure 1 shows the typical rate of flow during the measurement of PEF with the maximal value at around 0.1 s.

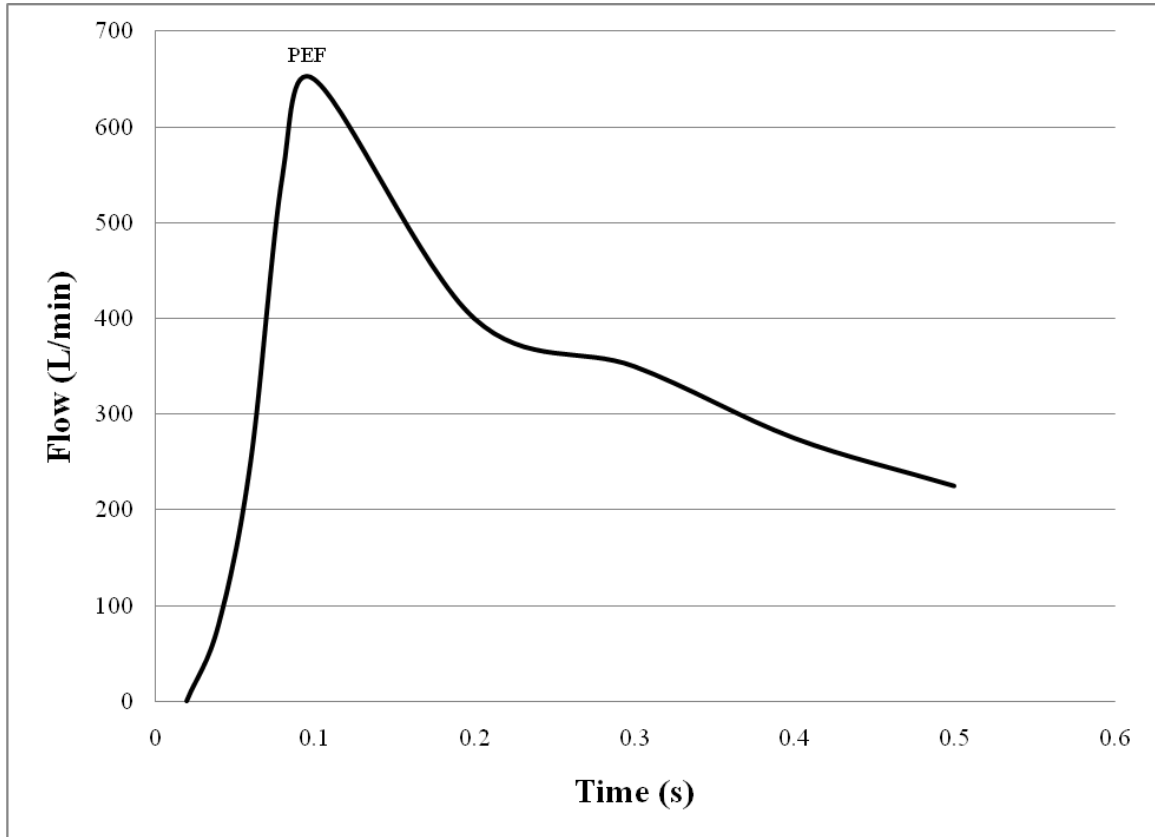


Figure 1—PEF waveform (representation only—does not correspond to real values)

5.3 Personal best

Personal best is not a constantly measured value; rather, it is determined by a health-care professional or based on predicted average peak flow. The personal best is typically the highest PEF reading an individual can obtain while in peak condition. Personal best, as a value of PEF, is measured in liters per minute.

5.4 FEV1

FEV1 is a measure of forced expiratory volume. It is a measure of expiratory volume of a subject under forced conditions at 1 s, measured from time zero (time at which subject starts the expiration). FEV1 is measured in liters. Figure 2 shows a typical pulmonary waveform where FEV1 is the total volume of air and would be calculated as the area under the curve between 0 s and 1 s.

Copyright International Organization for Standardization

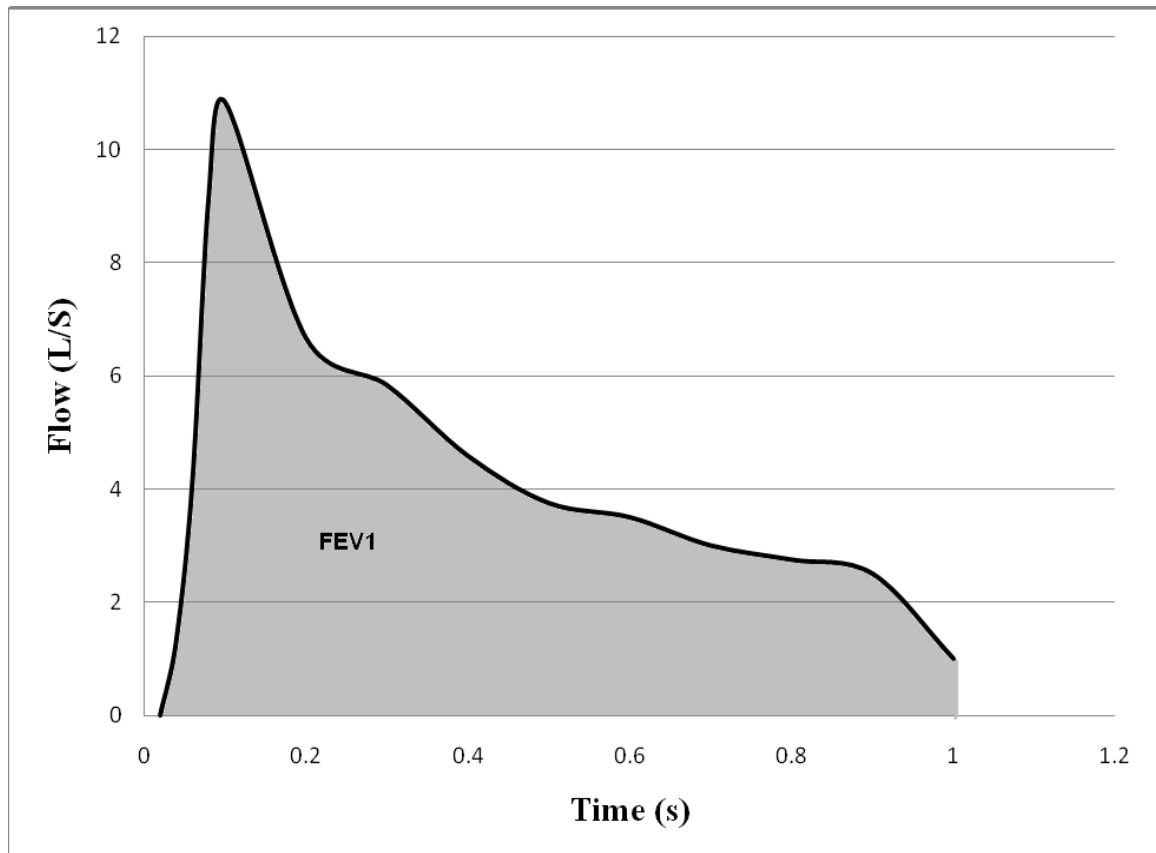


Figure 2—FEV1 waveform (representation only—does not correspond to real values)

5.5 FEV6

FEV6 is a measure of the forced expiratory volume of a subject under forced conditions at 6 s measured from time zero. FEV6 is measured in liters.

6 Peak expiratory flow monitor domain information model

6.1 Overview

This subclause describes the domain information model of the peak expiratory flow monitor.

6.2 Class extensions

In this standard, no class extensions are defined with respect to IEEE Std 11073-20601.

6.3 Object instance diagram

The object instance diagram of the peak expiratory flow monitor domain information model, defined for the purposes of this standard, is shown in Figure 3.

The objects of the DIM, as shown in Figure 3, are described in 6.5 through 6.10. This includes the medical device system (MDS) object (6.5), the numeric objects (6.6), the real-time sample array objects (6.7), the enumeration objects (6.8), the PM-store objects (6.9), and the scanner objects (6.10). Subclause 6.11 describes the rules for extending the peak expiratory flow monitor information model beyond elements as described in this standard. Each subclause that describes an object of the peak expiratory flow monitor contains the following information:

- The nomenclature code used to identify the class of the object. One example where this code is used is the configuration event, where the object class is reported for each object. This allows the manager to determine whether the class of the object being specified is a numeric, real-time sample array, enumeration, scanner, or PM-store class.
- The attributes of the object. Each object has attributes that represent and convey information on the physical device and its data sources. Each object has a Handle attribute that identifies the object instance within an agent. Attribute values are accessed and modified using methods such as GET and SET. Attribute types are defined using ASN.1. The ASN.1 definitions for new attribute types specific to this standard are in Annex B, and the ASN.1 definitions for existing attribute types referenced in this standard are in IEEE Std 11073-20601.
- The methods available on the object.
- The potential events generated by the object. The data are sent to the manager using events.
- The available services such as getting or setting attributes.

The attributes for each class are defined in tables that specify the name of the attribute, its value, and its qualifier. The qualifiers mean: M — Attribute is Mandatory, C — Attribute is Conditional and depends on the condition stated in the Remark or Value column (if IEEE Std 11073-20601 is referenced, then it contains the conditions), R — Attribute is Recommended, NR — Attribute is Not Recommended, and O — Attribute is Optional. Mandatory attributes shall be implemented by an agent. Conditional attributes shall be implemented if the condition applies and may be implemented otherwise. Recommended attributes should be implemented by the agent. Not recommended attributes should not be implemented by the agent. Optional attributes may be implemented by the agent.

The attributes can be either static, meaning that they shall remain unchanged after the configuration is agreed upon, or dynamic, meaning that the attribute may change at some point after configuration.

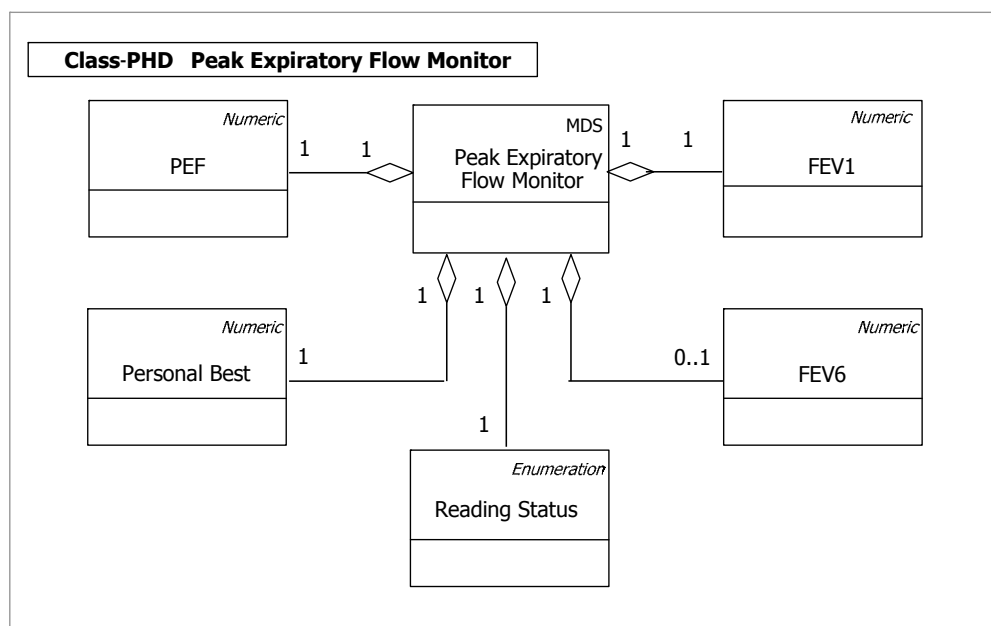


Figure 3—Peak expiratory flow monitor—domain information model

6.4 Types of configuration

6.4.1 General

As specified in IEEE Std 11073-20601, there are two styles of configuration available. Subclauses 6.4.2 and 6.4.3 briefly introduce standard and extended configurations.

6.4.2 Standard configuration

Standard configurations are defined in the IEEE 11073-104zz specializations (such as this standard) and are assigned a well-known identifier (Dev-Configuration-Id). The usage of a standard configuration is negotiated at association time between the agent and the manager. If the manager recognizes and selects to operate using the configuration, then the agent can send measurements immediately. If the manager does not recognize the configuration, the agent provides the configuration prior to transmitting measurement information.

6.4.3 Extended configuration

In extended configurations, the agent's configuration is not predefined in a standard. The agent determines the objects, attributes, and values that will be used in a configuration and assigns a configuration identifier. When the agent associates with a manager, an acceptable configuration is negotiated. Typically, the manager does not recognize the agent's configuration on the first connection, so the manager responds that the agent needs to send its configuration information as a configuration event report. If, however, the manager recognizes the configuration, either because it was preloaded in some way or the agent had previously associated with the manager, then the manager responds that the configuration is known and no further configuration information needs to be sent.

6.5 Medical device system object

6.5.1 MDS object attributes

Table 1 summarizes the attributes of the peak expiratory flow monitor MDS object. The nomenclature code to identify the MDS class is MDC_MOC_VMS_MDS_SIMP.

Table 1—MDS object attributes

Attribute name	Value	Qual.
Handle	0	M
System-Type	Attribute not present. See IEEE Std 11073-20601.	C
System-Type-Spec-List	{MDC_DEV_SPEC_PROFILE_PEFM, 1}.	M
System-Model	{“Manufacturer”, “Model”}.	M
System-Id	Extended unique identifier (64-bits) (EUI-64).	M
Dev-Configuration-Id	Standard config: 0x0834 (2100) Extended configs: 0x4000-0x7FFF.	M
Attribute-Value-Map	See IEEE Std 11073-20601.	C
Production-Specification	See IEEE Std 11073-20601.	O
Mds-Time-Info	See IEEE Std 11073-20601.	C
Date-and-Time	See IEEE Std 11073-20601.	C
Relative-Time	See IEEE Std 11073-20601.	C
HiRes-Relative-Time	See IEEE Std 11073-20601.	C
Date-and-Time-Adjustment	See IEEE Std 11073-20601.	C
Power-Status	<i>onBattery</i> or <i>onMains</i> .	O
Battery-Level	See IEEE Std 11073-20601.	O
Remaining-Battery-Time	See IEEE Std 11073-20601.	O
Reg-Cert-Data-List	See IEEE Std 11073-20601.	O
Confirm-Timeout	See IEEE Std 11073-20601.	O

NOTE—See IEEE Std 11073-20601 for information on whether an attribute is static or dynamic.

In the response to a Get MDS Object command, only implemented attributes and their corresponding values are returned.

See IEEE Std 11073-20601 for descriptive explanations of the individual attributes as well as for information on attribute ID and attribute type.

The Dev-Configuration-Id attribute holds a locally unique 16-bit identifier that identifies the device configuration. For a peak expiratory flow monitor agent with extended configuration, this identifier is chosen in the range of extended-config-start to extended-config-end (see IEEE Std 11073-20601) as shown in Table 1.

The agent sends the Dev-Configuration-Id during the Associating state (see 8.3) to identify its configuration for the duration of the association. If the manager already holds the configuration information relating to the Dev-Configuration-Id, it recognizes the Dev-Configuration-Id and the Configuring state (see 8.4) is skipped, and the agent and manager then enter the Operating state. If the manager does not recognize the Dev-Configuration-Id, the agent and manager enter the Configuring state.

If an agent implements multiple IEEE 11073-104zz specializations, System-Type-Spec-List is a list of type/version pairs, each referencing the respective device specialization and version of that specialization.

6.5.2 MDS object methods

Table 2 defines the methods (actions) of the MDS object. These methods are invoked using the Action service. In Table 2, the Subservice type name column defines the name of the method; the Mode column defines whether the method is invoked as an unconfirmed action (i.e., roiv-cmip-action from IEEE Std 11073-20601) or a confirmed action (i.e., roiv-cmip-confirmed-action); the Subservice type (action-type) column defines the nomenclature code to use in the action-type field of an action request and response (see IEEE Std 11073-20601); the Parameters (action-info-args) column defines the associated ASN.1 data structure (see IEEE Std 11073-20601 for ASN.1 definitions) to use in the action message for the action-info-args field of the request; and the Results (action-info-args) column defines the structure to use in the action-info-args of the response.

Table 2—MDS object methods

Service	Subservice type name	Mode	Subservice type (action-type)	Parameters (action-info-args)	Results (action-info-args)
ACTION	Set-Time	Confirmed	MDC_ACT_SET_TIME	SetTimeInvoke	—

Set-Time

This method allows the manager to set a real-time clock in the agent with the absolute time. The agent indicates whether the Set-Time command is valid using the mds-time-capab-set-clock bit in the Mds-Time-Info attribute (see IEEE Std 11073-20601).

If the agent supports the Absolute-Time-Stamp attribute, this method shall be implemented.

Agents following only this device specialization and no others shall send event reports using agent initiated measurement data transmission. Agents following this device specialization as well as others shall send event reports in the appropriate fashion. During the association procedure (see 8.3), data-req-mode-capab shall be set to the appropriate value for the event report style. As a result, the manager shall assume the peak expiratory flow monitor agent does not support any of the MDS-Data-Request features (see IEEE Std 11073-20601 for additional information). Thus, implementation of the MDS-Data-Request method/action is not required in this standard and is not shown in Table 2.

6.5.3 MDS object events

Table 3 defines the events that can be sent by the peak expiratory flow monitor MDS object.

Table 3—Peak expiratory flow monitor MDS object events

Service	Subservice type name	Mode	Subservice type (event-type)	Parameters (event-info)	Results (event-reply-info)
EVENT REPORT	MDS-Configuration-Event	Confirmed	MDC_NOTI_CONFIG	ConfigReport	ConfigReport Rsp
	MDS-Dynamic-Data-Update-Var	Confirmed	MDC_NOTI_SCAN_REPORT_VARIABLE	ScanReportInfo Var	—
	MDS-Dynamic-Data-Update-Fixed	Confirmed	MDC_NOTI_SCAN_REPORT_FIXED	ScanReportInfoFixed	—

— **MDS-Configuration-Event:**

This event is sent by the peak expiratory flow monitor agent during the configuring procedure if the manager does not already know the peak expiratory flow monitor agent's configuration from past associations or because the manager has not been implemented to recognize the configuration according to the peak expiratory flow monitor device specialization. The event provides static information about the supported measurement capabilities of the peak expiratory flow monitor agent.

— **MDS-Dynamic-Data-Update-Var:**

This event provides dynamic measurement data from the peak expiratory flow monitor agent for the PEF, FEV1, and optionally FEV6 numeric objects. These data are reported using a generic attribute list variable format. The event is sent as an unsolicited message by the agent (i.e., an agent-initiated measurement data transmission). See 8.5.3 for more information on unsolicited event reporting.

— **MDS-Dynamic-Data-Update-Fixed:**

This event provides dynamic measurement data from the peak expiratory flow monitor agent for the PEF, FEV1, and optionally FEV6 numeric objects. These data are reported in the fixed format defined by the Attribute-Value-Map attribute of the object. The event is sent as an unsolicited message by the agent (i.e., an agent-initiated measurement data transmission). See 8.5.3 for more information on unsolicited event reporting.

NOTE—IEEE Std 11073-20601 requires that managers support all of the MDS object events listed above.

6.5.4 Other MDS services

6.5.4.1 GET service

A peak expiratory flow monitor agent shall support the GET service, which is provided by the MDS object to retrieve the values of all implemented MDS object attributes. The GET service can be invoked as soon as the peak expiratory flow monitor agent receives the Association Response and moves to the Associated state, including the Operating and Configuring substates.

The GET request for all attributes shall be supported. An attribute-id-list parameter may be supported.

The manager may request the MDS object attributes of the peak expiratory flow monitor agent; in which case, the manager shall send the “Remote Operation Invoke | Get” message (see roiv-cmip-get in IEEE Std 11073-20601) with the reserved MDS handle value of 0. The peak expiratory flow monitor agent shall report its MDS object attributes to the manager using the “Remote Operation Response | Get” message (see rors-cmip-get in IEEE Std 11073-20601). See Table 4 for a summary of the GET service including some message fields.

Table 4—Peak expiratory flow monitor MDS object GET service

Service	Subservice type name	Mode	Subservice type	Parameters	Results
GET	<na>	<implied confirmed>	<na>	GetArgumentSimple = (obj-handle = 0), attribute-id-list <optional>	GetResultSimple = (obj-handle = 0), attribute-list

See 8.5.2 for details on the procedure for getting the MDS object attributes.

6.5.4.2 SET service

The peak expiratory flow monitor specialization does not require an implementation to support the MDS object SET service.

6.6 Numeric objects

6.6.1 General

The peak expiratory flow monitor DIM (see Figure 3) contains three simple numeric objects for PEF, personal best, and FEV1, and optionally it can contain a fourth simple numeric object for FEV6. These are described in the 6.6.2 through 6.6.5.

Sometimes, the interpretation of one attribute value in an object depends on other attribute values in the same object. For example, Unit-Code and Unit-LabelString provide context for the observed values. Whenever a contextual attribute changes, the agent shall report these changes to the manager using an MDS object event (see 6.5.3) prior to reporting any of the dependent values.

6.6.2 PEF

Table 5 summarizes the attributes of the simple numeric object that reports PEF. The nomenclature code to identify the numeric class is MDC_MOC_VMO_METRIC_NU. The PEF numeric object shall be supported by a peak expiratory flow monitor agent.

Table 5—PEF simple numeric object attributes

Attribute name	Extended configuration		Standard configuration (Dev-Configuration-Id = 0x0834)	
	Value	Qual.	Value	Qual.
Handle	See IEEE Std 11073-20601.	M	1	M
Type	{MDC_PART_SCADA, MDC_FLOW_AWAY_EXP_FORCED_PEAK }.	M	{MDC_PART_SCADA, MDC_FLOW_AWAY_EXP_FORCED_PEAK }.	M
Supplemental-Types	See IEEE Std 11073-20601.	NR	Attribute not initially present. If present follow IEEE Std 11073-20601.	NR
Metric-Spec-Small	mss-avail-intermittent, mss-avail-stored-data, mss-msmt-aperiodic, mss-acc-agent-initiated.	M	mss-avail-intermittent, mss-avail-stored-data, mss-msmt-aperiodic, mss-acc-agent-initiated.	M
Metric-Structure-Small	See IEEE Std 11073-20601.	NR	Attribute not initially present. If present follow IEEE Std 11073-20601.	NR
Measurement-Status	See IEEE Std 11073-20601.	NR	Attribute not initially present. If present follow IEEE Std 11073-20601.	NR
Metric-Id	See IEEE Std 11073-20601.	NR	Attribute not initially present. If present follow IEEE Std 11073-20601.	NR
Metric-Id-List	See IEEE Std 11073-20601.	NR	Attribute not initially present. If present follow IEEE Std 11073-20601.	NR
Metric-Id-Partition	See IEEE Std 11073-20601.	NR	Attribute not initially present. If present follow IEEE Std 11073-20601.	NR
Unit-Code	MDC_DIM_X_L_PER_MIN.	M	MDC_DIM_X_L_PER_MIN	M
Attribute-Value-Map	See IEEE Std 11073-20601.	C	MDC_ATTR_NU_VAL_OBS_SIMP, then MDC_ATTR_TIME_STAMP_ABS	M
Source-Handle-Reference	See IEEE Std 11073-20601.	NR	Attribute not initially present. If present follow IEEE Std 11073-20601.	NR
Label-String	See IEEE Std 11073-20601.	O	Attribute not initially present. If present follow IEEE Std 11073-20601.	O
Unit-LabelString	See IEEE Std 11073-20601.	O	Attribute not initially present. If present follow IEEE Std 11073-20601.	O
Absolute-Time-Stamp	See IEEE Std 11073-20601.	C	If fixed format is used and the standard configuration is not adjusted, this attribute is mandatory; otherwise, the conditions from IEEE Std 11073-20601 apply.	C
Relative-Time-Stamp	See IEEE Std 11073-20601.	C	Attribute not initially present. If present follow IEEE Std 11073-20601.	C
HiRes-Time-Stamp	See IEEE Std 11073-20601.	C	Attribute not initially present. If present follow IEEE Std 11073-20601.	C
Measure-Active-Period	See IEEE Std 11073-20601.	NR	Attribute not initially present. If present follow IEEE Std 11073-20601.	NR
Simple-Nu-Observed-Value	See IEEE Std 11073-20601.	C	See IEEE Std 11073-20601. If fixed format is used and the standard configuration is unchanged, this attribute is mandatory; otherwise, the conditions from IEEE Std 11073-20601 apply	C
Compound-Simple-Nu-Observed-Value	See IEEE Std 11073-20601.	NR	Attribute not initially present. If present follow IEEE Std 11073-20601	NR
Basic-Nu-Observed-Value	See IEEE Std 11073-20601.	NR	Attribute not initially present. If present follow IEEE Std 11073-20601.	NR
Compound-Basic-Nu-Observed-Value	See IEEE Std 11073-20601.	NR	Attribute not initially present. If present follow IEEE Std 11073-20601	NR
Nu-Observed-Value	See IEEE Std 11073-20601.	NR	Attribute not initially present. If present follow IEEE Std 11073-20601.	NR
Compound-Nu-Observed-Value	See IEEE Std 11073-20601.	NR	Attribute not initially present. If present follow IEEE Std 11073-20601.	NR
Accuracy	See IEEE Std 11073-20601.	NR	Attribute not initially present. If present follow IEEE Std 11073-20601.	NR

NOTE—See IEEE Std 11073-20601 for information on whether an attribute is static or dynamic.

For a peak expiratory flow monitor agent with standard configuration the AttrValMap structure (see IEEE Std 11073-20601) of the Attribute-Value-Map attribute shall contain the attribute ID and attribute length information of the Simple-Nu-Observed-Value and Absolute-Time-Stamp attribute in the same order as indicated in Attribute-Value-Map value in Table 5.

The PEF simple numeric object does not support any methods, events, or other services.

See IEEE Std 11073-20601 for descriptive explanations on the individual attributes as well as for information on attribute ID and attribute type.

6.6.3 Personal best

Table 6 summarizes the attributes of the personal best numeric object. The nomenclature code to identify the numeric class is MDC_MOC_VMO_METRIC_NU. The personal best numeric object shall be supported by a peak expiratory flow monitor agent.

Table 6—Personal best simple numeric object attributes

Attribute name	Extended configuration		Standard configuration (Dev-Configuration-Id = 0x0834)	
	Value	Qual.	Value	Qual.
Handle	See IEEE Std 11073-20601.	M	2	M
Type	{MDC_PART_SCADA, MDC_FLOW_AWAY_EXP_FORCED_PEAK_PB}.	M	{MDC_PART_SCADA, MDC_FLOW_AWAY_EXP_FORCED_PEAK_PB}.	M
Supplemental-Types	See IEEE Std 11073-20601.	NR	Attribute not initially present. If present follow IEEE Std 11073-20601.	NR
Metric-Spec-Small	mss-avail-intermittent, mss-avail-stored-data, mss-acc-agent-initiated, mss-cat-setting.	M	mss-avail-intermittent, mss-avail-stored-data, mss-acc-agent-initiated, mss-cat-setting.	M
Metric-Structure-Small	See IEEE Std 11073-20601.	NR	Attribute not initially present. If present follow IEEE Std 11073-20601.	NR
Measurement-Status	See IEEE Std 11073-20601.	NR	Attribute not initially present. If present follow IEEE Std 11073-20601.	NR
Metric-Id	See IEEE Std 11073-20601.	NR	Attribute not initially present. If present follow IEEE Std 11073-20601.	NR
Metric-Id-List	See IEEE Std 11073-20601.	NR	Attribute not initially present. If present follow IEEE Std 11073-20601.	NR
Metric-Id-Partition	See IEEE Std 11073-20601.	NR	Attribute not initially present. If present follow IEEE Std 11073-20601.	NR
Unit-Code	MDC_DIM_X_L_PER_MIN.	M	MDC_DIM_X_L_PER_MIN	M
Attribute-Value-Map	See IEEE Std 11073-20601.	C	MDC_ATTR_NU_VAL_OBS_SIMP, then MDC_ATTR_TIME_STAMP_ABS.	M
Source-Handle-Reference	See IEEE Std 11073-20601.	NR	Attribute not initially present. If present follow IEEE Std 11073-20601.	NR
Label-String	See IEEE Std 11073-20601.	O	Attribute not initially present. If present follow IEEE Std 11073-20601.	O
Unit-LabelString	See IEEE Std 11073-20601.	O	Attribute not initially present. If present follow IEEE Std 11073-20601.	O
Absolute-Time-Stamp	See IEEE Std 11073-20601.	C	If fixed format is used and the standard configuration is not adjusted, this attribute is mandatory; otherwise, the conditions from IEEE Std 11073-20601 apply.	C
Relative-Time-Stamp	See IEEE Std 11073-20601.	C	Attribute not initially present. If present follow IEEE Std 11073-20601.	C
HiRes-Time-Stamp	See IEEE Std 11073-20601.	C	Attribute not initially present. If present follow IEEE Std 11073-20601.	C
Measure-Active-Period	See IEEE Std 11073-20601.	NR	Attribute not initially present. If present follow IEEE Std 11073-20601.	NR
Simple-Nu-Observed-Value	See IEEE Std 11073-20601.	C	See IEEE Std 11073-20601. If fixed format is used and the standard configuration is unchanged, this attribute is mandatory; otherwise, the conditions from IEEE Std 11073-20601 apply.	C
Compound-Simple-Nu-Observed-Value	See IEEE Std 11073-20601.	C	Attribute not initially present. If present follow IEEE Std 11073-20601.	NR
Basic-Nu-Observed-Value	See IEEE Std 11073-20601.	C	Attribute not initially present. If present follow IEEE Std 11073-20601.	NR
Compound-Basic-Nu-Observed-Value	See IEEE Std 11073-20601.	C	Attribute not initially present. If present follow IEEE Std 11073-20601.	NR
Nu-Observed-Value	See IEEE Std 11073-20601.	C	Attribute not initially present. If present follow IEEE Std 11073-20601.	NR
Compound-Nu-Observed-Value	See IEEE Std 11073-20601.	C	Attribute not initially present. If present follow IEEE Std 11073-20601.	NR
Accuracy	See IEEE Std 11073-20601.	NR	Attribute not initially present. If present follow IEEE Std 11073-20601.	NR

NOTE—See IEEE Std 11073-20601 for information on whether an attribute is static or dynamic.

For a peak expiratory flow monitor agent with standard configuration the AttrValMap structure (see IEEE Std 11073-20601) of the Attribute-Value-Map attribute shall contain the attribute ID and attribute length information of the Simple-Nu-Observed-Value and Absolute-Time-Stamp attribute in the same order as indicated in Table 6.

The Personal Best simple numeric object does not support any methods, events, or other services.

See IEEE Std 11073-20601 for descriptive explanations on the individual attributes as well as for information on attribute ID and attribute type.

6.6.4 FEV1

Table 7 summarizes the attributes of the simple numeric object that reports FEV1. The nomenclature code to identify the numeric class is MDC_MOC_VMO_METRIC_NU. The simple numeric object that reports FEV1 shall be supported by a peak expiratory flow monitor agent.

.....

Table 7—FEV1 simple numeric object attributes

Attribute name	Extended configuration		Standard configuration (Dev-Configuration-Id = 0x0834)	
	Value	Qual.	Value	Qual.
Handle	See IEEE Std 11073-20601.	M	3	M
Type	{MDC_PART_SCADA, MDC_VOL_AWAY_EXP_FORCED_IS}.	M	{MDC_PART_SCADA, MDC_VOL_AWAY_EXP_FORCED_IS }.	M
Supplemental-Types	See IEEE Std 11073-20601.	NR	Attribute not initially present. If present follow IEEE Std 11073-20601.	NR
Metric-Spec-Small	mss-avail-intermittent, mss-avail-stored-data, mss-msmt-aperiodic, mss-acc-agent-initiated.	M	mss-avail-intermittent, mss-avail-stored-data, mss-msmt-aperiodic, mss-acc-agent-initiated.	M
Metric-Structure-Small	See IEEE Std 11073-20601.	NR	Attribute not initially present. If present follow IEEE Std 11073-20601.	NR
Measurement-Status	See IEEE Std 11073-20601.	NR	Attribute not initially present. If present follow IEEE Std 11073-20601.	NR
Metric-Id	See IEEE Std 11073-20601.	NR	Attribute not initially present. If present follow IEEE Std 11073-20601.	NR
Metric-Id-List	See IEEE Std 11073-20601.	NR	Attribute not initially present. If present follow IEEE Std 11073-20601.	NR
Metric-Id-Partition	See IEEE Std 11073-20601.	NR	Attribute not initially present. If present follow IEEE Std 11073-20601.	NR
Unit-Code	MDC_DIM_X_L.	M	MDC_DIM_X_L	M
Attribute-Value-Map	See IEEE Std 11073-20601.	C	MDC_ATTR_NU_VAL_OBS_SIMP, then MDC_ATTR_TIME_STAMP_ABS	M
Source-Handle-Reference	See IEEE Std 11073-20601.	NR	Attribute not initially present. If present follow IEEE Std 11073-20601.	NR
Label-String	See IEEE Std 11073-20601.	O	Attribute not initially present. If present follow IEEE Std 11073-20601.	O
Unit-LabelString	See IEEE Std 11073-20601.	O	Attribute not initially present. If present follow IEEE Std 11073-20601.	O
Absolute-Time-Stamp	See IEEE Std 11073-20601.	C	If fixed format is used and the standard configuration is not adjusted, this attribute is mandatory; otherwise, the conditions from IEEE Std 11073-20601 apply.	C
Relative-Time-Stamp	See IEEE Std 11073-20601.	C	Attribute not initially present. If present follow IEEE Std 11073-20601.	C
HiRes-Time-Stamp	See IEEE Std 11073-20601.	C	Attribute not initially present. If present follow IEEE Std 11073-20601.	C
Measure-Active-Period	See IEEE Std 11073-20601.	NR	Attribute not initially present. If present follow IEEE Std 11073-20601.	NR
Simple-Nu-Observed-Value	See IEEE Std 11073-20601.	C	See IEEE Std 11073-20601. If fixed format is used and the standard configuration is unchanged, this attribute is mandatory; otherwise, the conditions from IEEE Std 11073-20601 apply.	C
Compound-Simple-Nu-Observed-Value	See IEEE Std 11073-20601.	NR	Attribute not initially present. If present follow IEEE Std 11073-20601.	NR
Basic-Nu-Observed-Value	See IEEE Std 11073-20601.	NR	Attribute not initially present. If present follow IEEE Std 11073-20601.	NR
Compound-Basic-Nu-Observed-Value	See IEEE Std 11073-20601.	NR	Attribute not initially present. If present follow IEEE Std 11073-20601.	NR
Nu-Observed-Value	See IEEE Std 11073-20601.	NR	Attribute not initially present. If present follow IEEE Std 11073-20601.	NR
Compound-Nu-Observed-Value	See IEEE Std 11073-20601.	NR	Attribute not initially present. If present follow IEEE Std 11073-20601.	NR
Accuracy	See IEEE Std 11073-20601.	NR	Attribute not initially present. If present follow IEEE Std 11073-20601.	NR

NOTE—See IEEE Std 11073-20601 for information on whether an attribute is static or dynamic.

For a peak expiratory flow monitor agent with standard configuration the AttrValMap structure (see IEEE Std 11073-20601) of the Attribute-Value-Map attribute shall contain the attribute ID and attribute length information of the Simple-Nu-Observed-Value and Absolute-Time-Stamp attribute in the same order as indicated in Table 7.

The FEV1 simple numeric object does not support any methods, events, or other services.

See IEEE Std 11073-20601 for descriptive explanations on the individual attributes as well as for information on attribute ID and attribute type.

6.6.5 FEV6 (optional)

Table 8 summarizes the attributes of the simple numeric object that reports optionally FEV6. The nomenclature code to identify the numeric class is MDC_MOC_VMO_METRIC_NU. The simple numeric object that reports optionally FEV6 may be supported by a peak expiratory flow monitor agent.

Table 8—FEV6 simple numeric object attributes

Attribute name	Extended configuration	
	Value	Qual.
Handle	See IEEE Std 11073-20601.	M
Type	{MDC_PART_SCADA, MDC_VOL_AWAY_EXP_FORCED_6S}.	M
Supplemental-Types	See IEEE Std 11073-20601.	NR
Metric-Spec-Small	mss-avail-intermittent, mss-avail-stored-data, mss-msmt-aperiodic, mss-acc-agent-initiated.	M
Metric-Structure-Small	See IEEE Std 11073-20601.	NR
Measurement-Status	See IEEE Std 11073-20601.	NR
Metric-Id	See IEEE Std 11073-20601.	NR
Metric-Id-List	See IEEE Std 11073-20601.	NR
Metric-Id-Partition	See IEEE Std 11073-20601.	NR
Unit-Code	MDC_DIM_X_L.	M
Attribute-Value-Map	See IEEE Std 11073-20601.	C
Source-Handle-Reference	See IEEE Std 11073-20601.	NR
Label-String	See IEEE Std 11073-20601.	O
Unit-LabelString	See IEEE Std 11073-20601.	O
Absolute-Time-Stamp	See IEEE Std 11073-20601.	C
Relative-Time-Stamp	See IEEE Std 11073-20601.	C
HiRes-Time-Stamp	See IEEE Std 11073-20601.	C
Measure-Active-Period	See IEEE Std 11073-20601.	NR
Simple-Nu-Observed-Value	See IEEE Std 11073-20601.	C
Compound-Simple-Nu-Observed-Value	See IEEE Std 11073-20601.	NR
Basic-Nu-Observed-Value	See IEEE Std 11073-20601.	NR
Compound-Basic-Nu-Observed-Value	See IEEE Std 11073-20601.	NR
Nu-Observed-Value	See IEEE Std 11073-20601.	NR
Compound-Nu-Observed-Value	See IEEE Std 11073-20601.	NR
Accuracy	See IEEE Std 11073-20601.	NR

NOTE—See IEEE Std 11073-20601 for information on whether an attribute is static or dynamic.

For a peak expiratory flow monitor agent with standard configuration, the AttrValMap structure (see IEEE Std 11073-20601) of the Attribute-Value-Map attribute shall contain the attribute ID and attribute length information of the Simple-Nu-Observed-Value and Absolute-Time-Stamp attribute in the same order as indicated in Table 8.

The optional FEV6 simple numeric object does not support any methods, events, or other services.

See IEEE Std 11073-20601 for descriptive explanations on the individual attributes as well as for information on attribute ID and attribute type.

6.7 Real-time sample array objects

Real-time sample array objects are not required by this standard.

6.8 Enumeration objects

The peak expiratory flow monitor uses one enumeration object for enumerating the conditions/events during the measurement.

6.8.1 Reading status

The reading status object allows the peak expiratory monitor specific conditions or events recorded during a measurement in order to ascertain reasons for variations. Measurements are susceptible to the user having had or not had medication before the measurement, coughing, or not properly blowing air into the monitor. An Enumeration object can account for such conditions to be recorded.

The object identified (OID)-Type and bit assignments shall be implemented as described in this clause. The nomenclature code to identify enumeration object class is MDV_MOC_VMO_METRIC_ENUM. Refer to Table 9 for the set of attributes of this object.

The object is instantiated in both standard and extended configurations. An agent shall support this object to transmit these occurrences.

Table 9—Reading status enumeration object attributes

Attribute name	Extended configuration		Standard configuration (Dev-Configuration-Id = 0x0834)	
	Value	Qual.	Value	Qual.
Handle	See IEEE Std 11073-20601.	M	5	M
Type	{MDC_PART_PHD_DM, MDC_PEF_READING_STATUS}.	M	{MDC_PART_PHD_DM, MDC_PEF_READING_STATUS }.	M
Supplemental-Types	See IEEE Std 11073-20601.	NR	Attribute not initially present. If present follow IEEE Std 11073-20601.	NR
Metric-Spec-Small	mss-avail-intermittent, mss-avail-stored-data, mss-msmt-aperiodic, mss-acc-agent-initiated.	M	mss-avail-intermittent, mss-avail-stored-data, mss-msmt-aperiodic, mss-acc-agent-initiated.	M
Metric-Structure-Small	See IEEE Std 11073-20601.	NR	Attribute not initially present. If present follow IEEE Std 11073-20601.	NR
Measurement-Status	See IEEE Std 11073-20601.	NR	Attribute not initially present. If present follow IEEE Std 11073-20601.	NR
Metric-Id	See IEEE Std 11073-20601.	NR	Attribute not initially present. If present follow IEEE Std 11073-20601.	NR
Metric-Id-List	See IEEE Std 11073-20601.	NR	Attribute not initially present. If present follow IEEE Std 11073-20601.	NR
Metric-Id-Partition	See IEEE Std 11073-20601.	NR	Attribute not initially present. If present follow IEEE Std 11073-20601.	NR
Unit-Code	See following text.	NR	See following text.	NR
Attribute-Value-Map	See IEEE Std 11073-20601.	C	MDC_ATTR_NU_VAL_OBS_BASIC_BIT_STRING, then MDC_ATTR_TIME_STAMP_ABS.	M
Source-Handle-Reference	See IEEE Std 11073-20601.	NR	Attribute not initially present. If present follow IEEE Std 11073-20601.	NR
Label-String	See IEEE Std 11073-20601.	O	Attribute not initially present. If present follow IEEE Std 11073-20601.	O
Unit-LabelString	See IEEE Std 11073-20601.	O	Attribute not initially present. If present follow IEEE Std 11073-20601.	O
Absolute-Time-Stamp	See IEEE Std 11073-20601.	C	If fixed format is used and the standard configuration is not adjusted, this attribute is mandatory; otherwise, the conditions from IEEE Std 11073-20601 apply.	C
Relative-Time-Stamp	See IEEE Std 11073-20601.	C	Attribute not initially present. If present follow IEEE Std 11073-20601.	C
HiRes-Time-Stamp	See IEEE Std 11073-20601.	C	Attribute not initially present. If present follow IEEE Std 11073-20601.	C
Enum-Observed-Value- Simple-OID	See IEEE Std 11073-20601.	O	Attribute not initially present. If present follow IEEE Std 11073-20601.	O
Enum-Observed-Value- Simple-Bit-Str	See IEEE Std 11073-20601.	NR	See IEEE Std 11073-20601.	NR
Enum-Observed-Value- Basic-Bit-Str	See IEEE Std 11073-20601.	M	See IEEE Std 11073-20601.	M
Enum-Observed-Value- Simple-Str	See IEEE Std 11073-20601.	NR	Attribute not initially present. If present follow IEEE Std 11073-20601.	NR
Enum-Observed-Value	See IEEE Std 11073-20601.	NR	Attribute not initially present. If present follow IEEE Std 11073-20601.	NR
Enum-Observed-Value-Partition	See IEEE Std 11073-20601.	NR	Attribute not initially present. If present follow IEEE Std 11073-20601.	NR

NOTE—See IEEE Std 11073-20601 for information on whether an attribute is static or dynamic.

Because these are essentially event flags, the Unit-Code attribute is not appropriate for this object. Similarly, the Source-Handle-Reference is inappropriate as this object monitors the external conditions before and during the readings.

Table 10—Mapping of reading status to object Bit-Str attribute

Reading status	PEFReadStat mnemonic
Agent reports that user had medication before taking reading.	pefm-read-stat-post-medication
Agent reports that the user coughed while taking reading.	pefm-read-stat-cough
Agent reports that the users effort was short while taking reading.	pefm-read-stat-short-effort
Agent reports that user took longer time than expected to reach maximum blow force.	pefm-read-stat-long-time-to-peak

NOTE—The specific bit mappings of PEFReadStat are defined in Annex B.

6.9 PM-store objects

PM-store objects are not required by this standard.

6.10 Scanner objects

Scanner objects are not required by this standard.

6.11 Class extension objects

In this standard, no class extension objects are defined with respect to IEEE Std 11073-20601.

6.12 Peak expiratory flow monitor information model extensibility rules

The peak expiratory flow monitor domain information model of this standard may be extended by including vendor-specific metrics and attributes as required. Any object or attribute extensions implemented should follow the guidelines of this standard as closely as possible.

A peak expiratory flow monitor agent having a configuration with extensions beyond the standard configuration, as specified in this standard, shall use a configuration ID in the range of IDs reserved for extended configurations (see IEEE Std 11073-20601).

7 Peak expiratory flow monitor service model

7.1 General

The service model defines the conceptual mechanisms for data exchange services. These services are mapped to messages that are exchanged between the agent and the manager. Protocol messages within the ISO/IEEE 11073 series of standards are defined in ASN.1. See IEEE Std 11073-20601 for a detailed description of the personal health device service model. Subclauses 7.2 and 7.3 define the specifics of object access and event reporting services for a peak expiratory flow monitor agent according to this standard.

7.2 Object access services

The object access services of IEEE Std 11073-20601 are used to access the objects defined in the domain information model of the peak expiratory flow monitor.

The following generic object access services are supported by a peak expiratory flow monitor agent according to this standard:

- GET service: used by the manager to retrieve the values of the agent MDS object attributes. The list of peak expiratory flow monitor MDS object attributes is given in 6.5.4.1.
- SET service: used by the manager to set the values of the agent object attributes. There are no settable attributes defined for a peak expiratory flow monitor agent according to this standard.
- Event report service: used by the agent to send configuration reports and measurement data to the manager. The list of event reports for the peak expiratory flow monitor device specialization is given in 6.5.3.

- Action service: used by the manager to invoke actions (or methods) supported by the agent. An example is Set-Time action, which is used to set a real-time clock with the absolute time at the agent.

Table 11 summarizes the object access services described in this standard.

Table 11—Peak expiratory flow monitor object access services

Service	Subservice type name	Mode	Subservice type	Parameters	Result	Remarks
GET	<na>	<implied Confirmed>	<na>	GetArgumentSimple = (obj-handle = 0), attribute-id-list <optional>	GetResultSimple = (obj-handle = 0), attribute-list	Allows the manager to retrieve the value of an attribute of an object in the agent.
EVENT REPORT	MDS-Configuration-Event	Confirmed	MDC_NOTI_CONFIG	ConfigReport	ConfigReportRsp	Configuration Report to inform manager of the configuration of the agent.
	MDS-Scan-Report-Var	Confirmed	MDC_NOTI_SCAN_REPOT_VAR	ScanReportInfoVar	—	Data Report to provide dynamic data to manager for some or all of the agent's objects in variable format.
	MDS-Scan-Report-Fixed	Confirmed	MDC_NOTI_SCAN_REPOT_FIXED	ScanReportInfoFixed	—	Data Report to provide dynamic data to manager for some or all of the agent's objects in fixed format.
ACTION	Set-Time	Confirmed	MDC_ACT_SET_TIME	SetTimeInvoke	—	Manager method to invoke the agent to set time to requested value.

7.3 Object access event report services

The event report service (see Table 11) is used by the agent to report its information (e.g., measurements). Event reports in this standard are a property of the MDS object only. The event reports used in this standard are defined in IEEE Std 11073-20601.

The following conditions apply for a peak expiratory flow monitor agent according to this standard:

- Event reports shall be used in confirmed mode.
- Agent-initiated mode shall be supported for measurement data transmission.

A peak expiratory flow monitor agent is typically designed to operate in an environment where data may be collected from only one person; hence, the agent may use the single-person event report styles, which have reduced overhead.

A manager shall support both single-person and multiple-person event reports. A peak expiratory flow monitor agent may support only single-person event reports. The formats for single-person reports are described in IEEE Std 11073-20601.

8 Peak expiratory flow monitor communication model

8.1 Overview

This clause describes the general communication model and procedures of the peak expiratory flow monitor agent as defined in IEEE Std 11073-20601. Therefore, the respective parts of IEEE Std 11073-20601 are not reproduced; rather the specific choices and restrictions with respect to optional elements (e.g., objects, attributes, and actions) and specific extensions (e.g., nomenclature terms) are specified.

For an illustrative overview of the various message transactions during a typical measurement session, see the sequence diagram for the example use case in Annex D and the corresponding protocol data unit (PDU) examples in Annex E.

8.2 Communications characteristics

In this subclause, limits on the size of an application protocol data unit (APDU) transmitted or to be received by a peak expiratory flow monitor agent are defined. Small limits allow for simple implementations in terms of low cost and complexity.

A peak expiratory flow monitor agent implementing only this device specialization shall not transmit any APDU larger than N_{tx} and shall be capable of receiving any APDU up to a size of N_{rx} . For this standard, N_{tx} shall be 2030 octets and N_{rx} shall be 224 octets.

For a peak expiratory flow monitor agent implementing functions from other device specializations, an upper bound estimation of the APDU sizes brings the following: An agent shall not transmit any APDU larger than the sum of N_{tx} of all the device specializations implemented and shall be capable of receiving any APDU up to the sum of N_{rx} of all the device specializations implemented. If these numbers are higher than the maximum size determined in IEEE Std 11073-20601, the latter shall be applied.

In case the APDU size limit does not allow for the inclusion of a certain amount of multiple pending measurements at the agent, they shall be sent using multiple event reports. See 8.5.3 for the maximum number of measurements allowed for inclusion in a single event report.

8.3 Association procedure

8.3.1 General

Unless otherwise stated, the association procedure for a peak expiratory flow monitor agent and manager according to this standard shall be pursued as specified in IEEE Std 11073-20601.

8.3.2 Agent procedure—association request

In the association request sent by the agent to the manager:

- The version of the association procedure used by the agent shall be set to *assoc-version1* (i.e., *assoc-version* = 0x80000000).
- The DataProtoList structure element of the data protocol identifier shall be set to *data-protocol-id-20601* (i.e., *data-protocol-id* = 0x5079).
- The *data-protocol-info* field shall contain a PhdAssociationInformation structure that shall contain the following parameter values:
 - 1) The version of the data exchange protocol shall be set to *protocol-version1* (i.e., *protocol-version* = 0x80000000).

- 2) At least the MDERs shall be supported (i.e., *encoding-rules* = 0x8000).
- 3) The version of the nomenclature used shall be set to *nom-version1* (i.e., *nomenclature-version* = 0x80000000).
- 4) The field *functional-units* may have the test association bits set but shall not have any other bits set.
- 5) The field *system-type* shall be set to *sys-type-agent* (i.e., *system-type* = 0x00800000).
- 6) The *system-id* field shall be set to the value of the System-Id attribute of the MDS object of the agent. The manager may use this field to determine the identity of the peak expiratory flow monitor with which it is associating and, optionally, to implement a simple access restriction policy.
- 7) The *dev-config-id* field shall be set to the value of the Dev-Configuration-Id attribute of the MDS object of the agent.
- 8) If the agent supports only the peak expiratory flow monitor specialization, then the field indicating the data request modes (*data-req-mode-capab*) supported by the peak expiratory flow monitor agent shall be set to *data-req-supp-init-agent*.
- 9) If the agent supports only the peak expiratory flow monitor specialization, then *data-req-init-manager-count* shall be set to zero, and *data-req-init-agent-count* shall be set to 1.

8.3.3 Manager procedure—association response

In the association response message sent by the manager:

- The *result* field shall be set to an appropriate response from those defined in IEEE Std 11073-20601. For example, if all other conditions of the association protocol are satisfied, *accepted* is returned when the manager recognizes the *dev-config-id* of the agent and *accepted-unknown-config* otherwise.
- In the DataProtoList structure element, the data protocol identifier shall be set to *data-proto-id-20601* (i.e., *data-proto-id* = 0x5079).
- The *data-proto-info* field shall be filled in with a PhdAssociationInformation structure which shall contain the following parameter values:
 - 1) The version of the data exchange protocol shall be set to *protocol-version1* (i.e., *protocol-version* = 0x80000000).
 - 2) The manager shall respond with a single selected encoding rule that is supported by both agent and manager. The manager shall support at least the MDERs.
 - 3) The version of the nomenclature used shall be set to *nom-version1* (i.e., *nomenclature-version* = 0x80000000).
 - 4) The field *functional-units* shall have all bits reset except for those relating to a test association.
 - 5) The field *system-type* shall be set to *sys-type-manager* (i.e., *system-type* = 0x80000000).
 - 6) The *system-id* field shall contain the unique system id of the manager device, which shall be a valid EUI-64 type identifier.
 - 7) The field *dev-config-id* shall be *manager-config-response* (0).
 - 8) The field *data-req-mode-capab* shall be 0.
 - 9) The fields *data-req-init-agent-count* shall be 1 and *data-req-init-manager-count* shall be 0.

8.4 Configuring procedure

8.4.1 General

The agent enters the Configuring state if it receives an association response of accepted-unknown-config. In this case, the configuration procedure as specified in IEEE Std 11073-20601 shall be followed. Subclause 8.4.2 specifies the configuration notification and response messages for a peak expiratory flow monitor agent with standard configuration ID 2100 (0x0834). Normally, a manager would already know the standard configuration. However, standard configuration devices are required to send their configuration, if requested. This covers a case where an agent associates with a manager that does not have preconfigured knowledge of the standard configuration (e.g., due to a version mismatch between agent and manager).

8.4.2 Peak expiratory flow monitor—standard configuration

8.4.2.1 Agent procedure

The agent performs the configuration procedure using a “Remote Operation Invoke | Confirmed Event Report” message with an MDC_NOTI_CONFIG event to send its configuration to the manager (see IEEE Std 11073-20601). The ConfigReport structure is used for the *event-info* field (see Table 3). For a peak expiratory flow monitor agent with standard configuration ID 2100 (0x0834), the format and contents of the configuration notification message are as follows:

0xE7 0x00	APDU CHOICE Type (PrstApu)
0x00 0xBE	CHOICE.length = 190
0x00 0xBC	OCTET STRING.length = 188
0x00 0x02	invoke-id = 2 (start of DataApu. MDER encoded.)
0x01 0x01	CHOICE(Remote Operation Invoke Confirmed Event Report)
0x00 0xB6	CHOICE.length = 182
0x00 0x00	obj-handle = 0 (MDS object)
0xFF 0xFF 0xFF 0xFF	event-time=0xFFFFFFFF
0x0D 0x1C	event-type = MDC_NOTI_CONFIG
0x00 0xAC	event-info.length = 172 (start of ConfigReport)
0x08 0x34	config-report-id 2100
0x00 0x04	config-obj-list.count = 4 Measurement objects will be “announced”
0x00 0xA6	config-obj-list.length = 166
0x00 0x06	obj-class = MDC_MOC_VMO_METRIC_NU
0x00 0x01	obj-handle = 1
0x00 0x04	attributes.count = 4
0x00 0x24	attributes.length = 36
0x09 0x2F	attribute-id = MDC_ATTR_ID_TYPE
0x00 0x04	attribute-value.length = 4
0x00 0x02 0x54 0x08	MDC_PART_SCADA
	MDC_FLOW_AWAY_EXP_FORCED_PEAK
0x0A 0x46	attribute-id=MDC_ATTR_METRIC_SPEC_SMALL
0x00 0x02	attribute-value.length = 2
0xE0 0x40	attribute-value = 57408
0x09 0x96	attribute-id = MDC_ATTR_UNIT_CODE
0x00 0x02	attribute-value.length = 2
0x0C 0x00	MDC_DIM_X_L_PER_MIN

0x0A 0x55	attribute-id = MDC_ATTR_ATTRIBUTE_VAL_MAP
0x00 0x0C	attribute-value.length = 12
0x00 0x02	AttrValMap.count = 2
0x00 0x08	AttrValMap.length = 8
0x0A 0x56	attribute-id = MDC_ATTR_NU_VAL_OBS_SIMP
0x00 0x04	attribute-value.length = 4
0x09 0x90	attribute-id = MDC_ATTR_TIME_STAMP_ABS
0x00 0x08	attribute-value.length = 8
0x00 0x06	obj-class = MDC_MOC_VMO_METRIC_NU
0x00 0x02	obj-handle = 2
0x00 0x04	attributes.count = 4
0x00 0x24	attributes.length = 36
0x09 0x2F	attribute-id = MDC_ATTR_ID_TYPE
0x00 0x04	attribute-value.length = 4
0x00 0x02 0x54 0x09	MDC_PART_SCADA
	MDC_FLOW_AWAY_EXP_FORCED_PEAK_PB
0x0A 0x46	attribute-id=MDC_ATTR_METRIC_SPEC_SMALL
0x00 0x02	attribute-value.length = 2
0xE0 0x40	attribute-value = 57408
0x09 0x96	attribute-id=MDC_ATTR_UNIT_CODE
0x00 0x02	attribute-value.length = 2
0xC0 0x00	MDC_DIM_X_L_PER_MIN
0x0A 0x55	attribute-id=MDC_ATTR_ATTRIBUTE_VAL_MAP
0x00 0x0C	attribute-value.length = 12
0x00 0x02	AttrValMap.count = 2
0x00 0x08	AttrValMap.length = 8
0x0A 0x56	attribute-id = MDC_ATTR_NU_VAL_OBS_SIMP
0x00 0x04	attribute-value.length = 4
0x09 0x90	attribute-id= MDC_ATTR_TIME_STAMP_ABS
0x00 0x08	attribute-value.length = 8
0x00 0x06	obj-class = MDC_MOC_VMO_METRIC_NU
0x00 0x03	obj-handle = 3
0x00 0x04	attributes.count = 4
0x00 0x24	attributes.length = 36
0x09 0x2F	attribute-id = MDC_ATTR_ID_TYPE
0x00 0x04	attribute-value.length = 4
0x00 0x02 0x54 0x0A	MDC_PART_SCADA MDC_VOL_AWAY_EXP_FORCED_1S
0x0A 0x46	attribute-id=MDC_ATTR_METRIC_SPEC_SMALL
0x00 0x02	attribute-value.length = 2
0xE0 0x40	attribute-value = 57408
0x09 0x96	attribute-id=MDC_ATTR_UNIT_CODE
0x00 0x02	attribute-value.length = 2
0x06 0x40	MDC_DIM_X_L
0x0A 0x55	attribute-id=MDC_ATTR_ATTRIBUTE_VAL_MAP
0x00 0x0C	attribute-value.length = 12
0x00 0x02	AttrValMap.count = 2
0x00 0x08	AttrValMap.length = 8
0x0A 0x56	attribute-id=MDC_ATTR_NU_VAL_OBS_SIMP
0x00 0x04	attribute-value.length = 4
0x09 0x90	attribute-id= MDC_ATTR_TIME_STAMP_ABS

0x00	0x08	attribute-value.length = 8
0x00	0x05	obj-class = MDC_MOC_VMO_METRIC_ENUM
0x00	0x05	obj-handle = 5
0x00	0x03	attributes.count = 3
0x00	0x1A	attributes.length = 26
0x09	0x2F	attribute-id = MDC_ATTR_ID_TYPE
0x00	0x04	attribute-value.length = 4
0x00	0x80	0x78 0x00 MDC_PART_PHD_DM MDC_PEF_READING_STATUS
0x0A	0x46	attribute-id=MDC_ATTR_METRIC_SPEC_SMALL
0x00	0x02	attribute-value.length = 2
0x00	0x00	attribute-value = 0
0x0A	0x55	attribute-id=MDC_ATTR_ATTRIBUTE_VAL_MAP
0x00	0x08	attribute-value.length = 8
0x00	0x01	AttrValMap.count = 1
0x00	0x04	AttrValMap.length = 4
0x0A	0x66	attribute-id=MDC_ATTR_ENUM_OBS_VAL_BASIC_BIT_STR
0x00	0x02	attribute-value.length = 2

8.4.2.2 Manager procedure

The manager shall respond to a configuration notification message using a “Remote Operation Response | Confirmed Event Report” data message with an MDC_NOTI_CONFIG event using the ConfigReportRsp structure for the *event-info* field (see Table 3). As a response to the standard configuration notification message in 8.4.2.1 the format and contents of the manager’s configuration notification response message are as follows:

0xE7	0x00	APDU CHOICE Type (PrstApu)
0x00	0x16	CHOICE.length = 22
0x00	0x14	OCTET STRING.length = 20
0x00	0x02	invoke-id (differentiates this message from any other outstanding)
0x02	0x01	CHOICE (Remote Operation Response Confirmed Event Report)
0x00	0x0E	CHOICE.length = 14
0x00	0x00	obj-handle = 0 (MDS object)
0xFF	0xFF	0xFF 0xFF currentTime
0x0D	0x1C	event-type = MDC_NOTI_CONFIG
0x00	0x04	event-reply-info.length = 4
0x08	0x34	ConfigReportRsp.config-report-id = 0x834
0x00	0x00	ConfigReportRsp.config-result = accepted-config

8.5 Operating procedure

8.5.1 General

Measurement data and status information are communicated from the peak expiratory flow monitor agent during the Operating state. If not stated otherwise, the operating procedure for a peak expiratory flow monitor agent of this standard shall be as specified in IEEE Std 11073-20601.

8.5.2 GET Peak expiratory flow monitor MDS attributes

See Table 4 for a summary of the GET service.

If the *attribute-id-list* field in the roiv-cmip-get service message is empty, the peak expiratory flow monitor agent shall respond with a rors-cmip-get service message in which the attribute-list contains a list of all implemented attributes of the MDS object.

If the manager requests specific MDS object attributes, indicated by the elements in *attribute-id-list*, and the agent supports this capability, the peak expiratory flow monitor agent shall respond with a rors-cmip-get service message in which the attribute-list contains a list of the requested attributes of the MDS object that are implemented. It is not required for a peak expiratory flow monitor agent to support this capability. If this capability is not implemented, the peak expiratory flow monitor agent shall respond as specified in the MDS object attributes clause in IEEE Std 11073-20601.

8.5.3 Measurement data transmission

See Table 3 for a summary of the event report services available for measurement data transfer.

Measurement data transfer for a peak expiratory flow monitor agent of this standard shall always be initiated by the peak expiratory flow monitor (see agent-initiated measurement data transmission in IEEE Std 11073-20601). To limit the amount of data being transported within an APDU, the peak expiratory flow monitor agent shall not include more than 25 temporarily stored measurements in a single event report. If more than 25 pending measurements are available for transmission, they shall be sent using multiple event reports. If multiple PEF, FEV1, and FEV6 measurements are available, up to 25 measurements should be transmitted within a single event report. Alternatively, they may be transmitted using a single event report for each PEF or FEV1 or FEV6 measurement. However, the former strategy is recommended to reduce overall message size and power consumption.

A peak expiratory flow monitor agent with standard configuration shall use the fixed format data update messages method for transmitting measurement data. A peak expiratory flow monitor agent with extended configuration may use either fixed or variable format data update messages for transmitting measurement data.

8.6 Time synchronization

Time synchronization between a peak expiratory flow monitor agent and a manager may be used to coordinate the clocks used when reporting physiological events. Note that the mechanism for synchronizing an agent to a manager is outside the scope of this standard. If time synchronization is used, then this shall be reported in the Mds-Time-Info attribute of the MDS object.

9 Test associations

The Test Association provides a manufacturer the mechanism to test or demonstrate features of a product in a comprehensive manner. This clause defines the behavior of the standard peak expiratory flow monitor agent during a test association. Support for test association is optional.

9.1 Behavior with standard configuration

An agent or manager entering a test association using the configuration ID for the standard peak expiratory flow monitor device of this standard shall enter the Operating state in test mode. When in test mode, where possible, this should be indicated visually to any user. Normal functionality shall be suspended, and any test data generated shall not be processed by the device as physiological data.

The peak expiratory flow monitor agent shall send a single simulated PEF value of 600 liters/min and a single simulated FEV-1 value of 10 L (values never seen in normal usage and outside normal range) within 30 s of entering the Operating state. If the measurement-status attribute of the numeric object is implemented, then the test-data bit shall be set.

The test association is terminated in a manner consistent with the agent's normal behavior for terminating an association.

9.2 Behavior with extended configurations

This specification does not define a test association that uses an extended configuration.

10 Conformance

10.1 Applicability

This standard shall be used in conjunction with IEEE Std 11073-20601.

An implementation or a system can conform to the following elements of this standard:

- Domain information model class hierarchy and object definitions (object attributes, notifications, methods, and data type definitions)
- Nomenclature code values
- Protocol and service models
- Communication service model (association and configuration)

10.2 Conformance specification

This standard offers levels of conformance with respect to strict adherence to the standard device and the use of extensions for:

- Information model of a specific device
- Use of attributes, value ranges, and access methods

A vendor shall specify the level of conformance for an implementation based on this standard and provide details of the way in which the definitions of this standard and any extensions are applied.

Specifications shall be provided in the form of a set of implementation conformance statements (ICS) as detailed in 10.4

This standard is used in conjunction with the IEEE Std 11073-20601 standard. It is recommended that the ICS for this standard be created first so that the ICS created for the IEEE Std 11073-20601 standard may refer to the ICS for this standard where applicable.

10.3 Levels of conformance

10.3.1 General

This standard defines the following levels of conformance.

10.3.2 Conformance level 1: Base conformance

The application uses elements of the information, service, and communication models (object hierarchy, actions, event reports, and data type definitions) and the nomenclature scheme defined in IEEE Std 11073-20601 and IEEE Std 11073-104zz. All mandatory features defined in the object definition tables and in the ICS tables are implemented. Furthermore, any conditional, recommended, or optional features that are implemented shall follow the requirements in IEEE Std 11073-20601 and IEEE Std 11073-104zz.

10.3.3 Conformance level 2: Extended nomenclature (ASN.1 and/or ISO/IEEE Std 11073-10101)

Conformance level 2 meets conformance level 1 but also uses or adds extensions in at least one of the information, service, or nomenclature models. Extensions to nomenclature codes shall conform to the ISO/IEEE 11073-10101:2004 [B1] framework and lie within the private nomenclature extension range (0xF000 – 0xFFFF).

Extensions to the information or service models shall be fully defined using ASN.1 where appropriate and have their behavior fully described following the framework of the ISO/IEEE Std 11073-20601 and/or ISO/IEEE Std 11073-20101:2004 [B3]. All extensions shall be specified and include reference to the definition for the extension, or where no publicly available reference is available, the definition of the extension should be appended to the conformance statement.

10.4 Implementation conformance statements

10.4.1 General format

The ICSs are provided as an overall conformance statement document that comprises a set of tables in the form given by the templates in the following clauses.

Each ICS table has the following columns:

Index	Feature	Reference	Req./Status	Support	Comment
-------	---------	-----------	-------------	---------	---------

The table column headings have the following meaning:

- Index: an identifier (e.g., a tag) of a specific feature.
- Feature: briefly describes the characteristic for which a conformance statement is being made.
- Reference: to the clause/paragraph within this document or an external source for the definition of the feature (may be empty).
- Req./Status: specifies the conformance requirement (e.g., mandatory or recommended)—in some cases, this standard does not specify conformance requirements but requests the status of a particular feature be provided.
- Support: specifies the presence or absence of a feature and any description of the characteristics of the feature in the implementation. This column is to be filled out by the implementer.
- Comment: contains any additional information on the feature. This column is to be filled out by the implementer.

Subclauses 10.4.2 through 10.4.6 specify the format of the specific ICS tables.

10.4.2 General implementation conformance statement

The general ICS specifies the versions/revisions that are supported by the implementation and high-level system behavior.

Table 12 shows general ICSs.

Table 12—11073-10421 general ICSs' table

Index ^a	Feature	Reference	Req./Status	Support	Comment
GEN 11073-10421-1	Implementation Description	—	Identification of the device/ application. Description of functionality.		
GEN 11073-10421-2	Standards followed and their revisions	(standard documents)	(set of existing revisions)	(set of supported revision)	
GEN 11073-10421-3	Nomenclature document used and revision	(standard documents)	(set of existing revisions)	(set of supported revisions)	
GEN 11073-10421-4	Conformance Adherence - Level 1 -	See 10.3.2	Base conformance declaration that device meets the following IEEE Std 11073-10421 conformance requirements: a) All mandatory requirements shall be implemented. b) If implemented, conditional, recommended, and optional requirements shall conform to standard.	Yes/No (No is not expected as No implies that the implementation is non-conformant)	
GEN 11073-10421-5	Conformance Adherence - Level 2 -	See 10.3.3	In addition to GEN 11073-10421-4, if the device implements extensions and/or additions, they shall conform to nomenclature codes from ASN.1 and/or 10101 framework. These extensions should also be defined in ICS tables pointing toward their reference.	Yes/No	
GEN 11073-10421-6	Object Containment Tree	See 6.3	Provide Object Containment Diagram showing relations between object instances used by the application. A conforming implementation uses only object relations as defined in the DIM.		

GEN 11073-10421-7	Nomenclature document used and revision	(standard documents)	(set of existing revisions)	(set of supported revision)	
GEN 11073-10421-8	Data Structure Encoding	—	—	description of encoding method(s) for ASN.1 data structures	
GEN 11073-10421-9	Use of Private Objects	—	Does the implementation use objects that are not defined in the DIM?	Yes/No (If yes: explain in Table 13)	
GEN 11073-10421-10	Use of Private Nomenclature Extensions	—	Does the implementation use private extensions to the nomenclature (i.e., 0xF000–0xFFFF codes from ISO/IEEE Std 11073-10101:2004)? Private Nomenclature extensions are <i>only</i> allowed if the standard nomenclature does not include the specific terms required by the application.	Yes/No (If yes: explain in the Table 16)	
GEN 11073-10421-11	11073-20601 Conformance		Provide the conformance report required by IEEE Std 11073-20601.		

^aThe prefix GEN11073-10421 is used for the index in the general ICSs table.

10.4.3 DIM MOC implementation conformance statement

The DIM MOC ICS defines which objects are implemented. Information on each object shall be provided as a separate row in the template of Table 13.

Table 13—Template for DIM MOC ICS table

Index	Feature	Reference	Req./Status	Support	Comment
MOC- <i>n</i>	Object description	Reference to the clause in the standard or other location where the object is defined.	Implemented	Specify restrictions (e.g., maximum number of supported instances)	

The *n* in the Index column should be the object handle for implementations that have predefined objects. Otherwise the Index column shall simply be a unique number (1..*m*).

All private objects should be specified and include either a reference to the definition for the object or, where no publicly available reference is available, the definition of the object should be appended to the conformance statement.

The Support column should indicate any restrictions for the object implementation.

An object containment diagram (class instance diagram) should be provided as part of the DIM MOC ICS.

10.4.4 MOC attribute ICS

The MOC attribute ICS defines which attributes, including any inherited attributes, are used/supported in each object of an implementation. Information on each attribute of an object shall be provided as a separate row in the template of Table 14. A separate MOC attribute ICS shall be provided for each object.

Table 14—Template for MOC attribute ICS table

Index	Feature	Reference	Req./Status	Support	Comment
ATTR- <i>n-x</i>	Attribute Name. Extended attributes shall include the attribute ID also.	Fill in the reference to the ASN.1 structure if the attribute is not defined in this standard.	M = Mandatory / C = Conditional / R = Recommended / O = Optional (as per definition in Attribute Definition Tables)	Implemented? Yes/No Static/Dynamic Specify restrictions, (e.g., value ranges). Describe how attribute is accessed (e.g., Get, Set, sent in config event report, sent in a data event report). Describe any specific restrictions.	

The Support column shall specify whether the attribute is implemented; for extension attributes, whether the attribute value is static or dynamic; any value ranges; restrictions on attribute access or availability; and any other information.

The *n* in the Index column refers to the ID of the managed object for which the table is supplied (i.e., the index of the managed object as specified in the MOC ICS). There is one separate table for each supported managed object.

The *x* in the Index column is a unique serial number (1..*m*).

10.4.5 MOC notification implementation conformance statement

The MOC notification ICS specifies all implemented notifications (typically in the form of the event report service) that are emitted by the agent. Table 15 provides a template for use. One table has to be provided for each object that supports special object notifications. One row of the table shall be used for each notification.

Table 15—Template for MOC notification ICS table

Index	Feature	Reference	Req./Status	Support	Comment
NOTI- <i>n-x</i>	Notification Name and Notification ID	Reference to the clause in the standard or other location where the event is defined.		The Support column shall specify how the notification is sent and any restrictions.	

The *n* in the Index column refers to the ID of the managed object for which the table is supplied (i.e., the index of the managed object as specified in the POC ICS). There is one separate table for each managed object that supports specific object notifications (i.e., events).

The x in the Index column is a unique serial number (1.. m).

All private notifications should be specified and include reference to the definition for the notification. Where no publicly available reference is available, the definition of the notification should be appended to the conformance statement.

10.4.6 MOC nomenclature conformance statement

The MOC nomenclature ICS specifies all nonstandard nomenclature codes that are utilized by the agent. Table 16 provides a template for use. One row of the table is to be used for each nomenclature element.

Table 16—Template for MOC nomenclature ICS table

Index	Feature	Reference	Req./Status	Support	Comment
NOME- n	Nomenclature Name and Nomenclature value	Reference to the clause in the standard or other location where the nomenclature is defined or used		Describe how the nomenclature is used. Describe any specific restrictions.	

The n in the Index column is a unique serial number (1.. m).

Annex A
(informative)

Bibliography

[B1] ISO/IEEE 11073-10101:2004, Health informatics—Point-of-care medical device communication—Part 10101: Nomenclature.⁶

[B2] ISO/IEEE 11073-10201:2004, Health informatics—Point-of-care medical device communication—Part 10201: Domain information model.

[B3] ISO/IEEE 11073-20101:2004, Health informatics—Point-of-care medical device communication—Part 20101: Application profile—Base standard.

[B4] ITU-T Rec. X.680-2002, Information technology—Abstract Syntax Notation One (ASN.1): Specification of basic notation.⁷

⁶ISO/IEEE publications are available from the ISO Central Secretariat, 1, ch. de la Voie-Creuse, Case postale 56, CH-1211, Geneva 20, Switzerland (<http://www.iso.ch/>). ISO/IEEE publications are also available in the United States from the Institute of Electrical and Electronics Engineers, 445 Hoes Lane, Piscataway, NJ 08854, USA (<http://standards.ieee.org/>).

⁷ITU publications are available from the International Telecommunications Union, Place des Nations, 1211 Geneva 20, Switzerland (<http://www.itu.in/>).

Annex B

(normative)

Any additional ASN.1 definitions

Reading status bit mapping.

```
PEFReadStat ::= BITS-16 {  
    pefm-read-stat-post-medication(0),  
    pefm-read-stat-cough(1),  
  
    pefm-read-stat-short-effort(2),  
  
    pefm-read-stat-long-time-to-peak(3)  
}
```

(Bits are set to 1 when the corresponding event occurs.)

Annex C
(normative)

Allocation of identifiers

This annex contains the nomenclature codes used in this document and not found in IEEE Std 11073-20601. For those not contained in this annex, the normative definition is found in IEEE Std 11073-20601.

The format used here follows that of ISO/IEEE 11073-10101:2004 [B1].

```

/*****
* From Communication Infrastructure (MDC_PART_INFRA)
*****/
#define MDC_DEV_SPEC_PROFILE_PEFM          4117
/*****
* From Medical supervisory control and data acquisition (MDC_PART_SCADA)
*****/
#define MDC_FLOW_AWAY_EXP_FORCED_PEAK      21512 /* peak expiratory flow */
#define MDC_FLOW_AWAY_EXP_FORCED_PEAK_PB  21513 /* personal best of PEF */
#define MDC_VOL_AWAY_EXP_FORCED_1S         21514 /* forced expiratory volume over
                                                    1 second */
#define MDC_VOL_AWAY_EXP_FORCED_EXP_6S     21515 /* forced expiratory volume over
                                                    6 seconds */
/*****
* From Dimensions (MDC_PART_DIM)
*****/
#define MDC_DIM_X_L_PER_MIN                 3072 /* 1 min-1 */
#define MDC_DIM_X_L                         1600 /* 1 */
/*****
* From Dimensions (MDC_PART_DIM_DM)
*****/
#define MDC_PEF_READING_STATUS              30720

```

Annex D (informative)

Message sequence examples

Figure D.1 shows a sequence diagram of the messaging procedure corresponding to the following use case. The user of a peak expiratory flow monitor agent device intends to connect it to a manager device for the first time. The peak expiratory flow monitor is capable of performing PEF, FEV1, and optionally FEV6 measurements.

- a) When the user connects the medication monitor, the manager does not recognize the agent's configuration and sends a response to the agent's association request with the result *accepted-unknown-config*. See E.2.2.2 and E.2.2.3 for the corresponding PDU examples.
- b) As a consequence of this, the agent negotiates its configuration information to the manager. After getting confirmation from the manager accepting the agent's configuration, the agent device is ready to send measurements. Both devices enter the Operating state. See E.2.2.2 and E.2.2.3 for the corresponding PDU examples.
- c) Subsequently, the manager may request the MDS object attributes of the agent by sending a data message with the "Remote Operation Invoke | Get" command. Note that the manager may request the MDS object attributes as soon as the agent enters the Associated state, including the Configuring and Operating substates. As a response, the agent reports its MDS object attributes to the manager using a Data message with the "Remote Operation Response | Get" command. See E.4.1.2 and E.4.1.3 for the corresponding PDU examples.
- d) As a next step, the user of the agent device takes a single measurement. The measurement data are transmitted to the manager using a confirmed event report. After having successfully received the measurement data, the manager sends a confirmation to the agent. See E.5.1 and E.5.2 for the corresponding PDU examples.
- e) The user ends the measurement session (e.g., by pushing a proper button on the device or just by not using the device for a duration longer than a certain time period). As a consequence, the agent disassociates from the manager by sending an association release request. The manager responds with an association release response. See E.6.1 and E.6.2 for the corresponding PDU examples.
- f) When the agent requests to associate to the manager for the next measurement session (e.g., the next day), the result in the manager's response is *accepted*, as it already knows the agent's configuration from the previous measurement session. Both devices transition directly to the Operating state.
- g) Finally, the last two steps shown are similar as in item d) and item e). The user takes a single confirmed measurement followed by releasing the association.

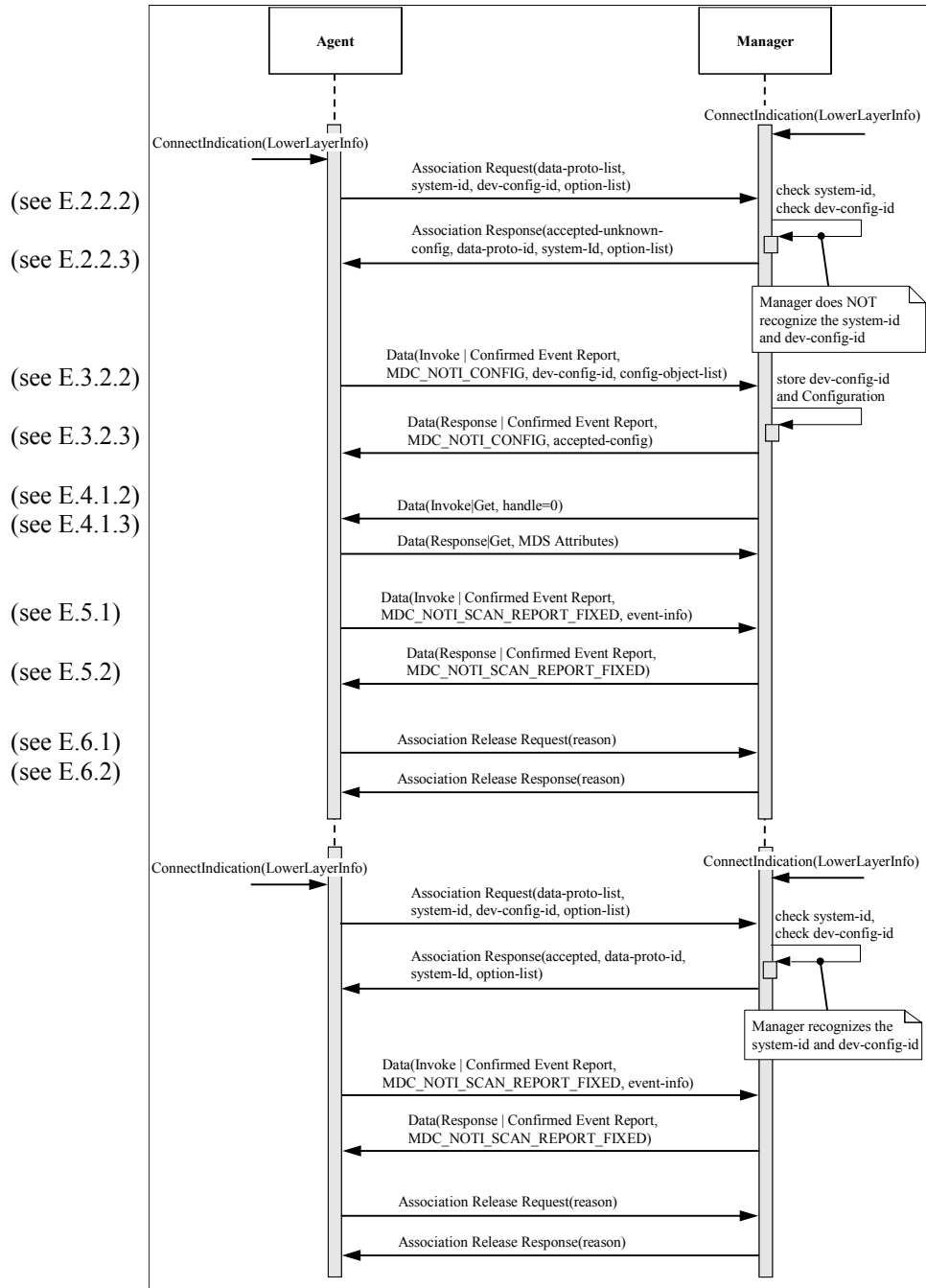


Figure D.1—Sequence diagram for peak expiratory flow monitor example use case

Annex E (informative)

Protocol data unit examples

E.1 General

This annex shows binary examples of messages exchanged between a peak expiratory flow monitor agent and a manager. Three different scenarios containing the association and configuration information exchanges are presented in E.2 and E.2.3. The first scenario illustrates the case when the agent intends to operate using an extended configuration. The manager does not have the configuration declared by the agent from a prior association. The second illustrates the agent presenting the same extended configuration to the manager, and the manager does have the configuration from the previously transferred configuration exchange. Finally, the agent presents a standard configuration to the manager, and the manager has the configuration because the manager has been preprogrammed with this configuration.

E.2 Association information exchange

E.2.1 General

When the transport connection is established between the manager and the agent, they both enter the Unassociated state. When the agent sends an association request, both manager and agent enter the Associating state.

E.2.2 Extended configuration

E.2.2.1 General

In this exchange, the agent sends an Association Request intending to use an Extended configuration during measurement transfer. However, the manager does not have this configuration.

E.2.2.2 Association request

The peak expiratory flow monitor agent sends the following message to the manager. The agent intends to associate using an Extended configuration.

0xE2	0x00								APDU CHOICE Type (AarqApdu)
0x00	0x32								CHOICE.length = 50
0x80	0x00	0x00	0x00						assoc-version
0x00	0x01	0x00	0x2A						data-proto-list.count = 1 length = 42
0x50	0x79								data-proto-id = 20601
0x00	0x26								data-proto-info length = 38
0x80	0x00	0x00	0x00						protocolVersion
0x80	0x00								encoding rules = MDER
0x80	0x00	0x00	0x00						nomenclatureVersion
0x00	0x00	0x00	0x00						functionalUnits – no Test Association capabilities
0x00	0x80	0x00	0x00						systemType = sys-type-agent
0x00	0x08								system-id length = 8 and value (manufacturer- and device- specific)
0x31	0x32	0x33	0x34	0x35	0x36	0x37	0x38		dev-config-id – extended configuration
0x40	0x00								data-req-mode-flags
0x00	0x01								data-req-init-agent-count = 1 data-req-init-manager-count=0
0x01	0x00								optionList.count = 0 optionList.length = 0
0x00	0x00	0x00	0x00						

E.2.2.3 Association response

A manager responds to the agent that it can associate but does not have the peak expiratory flow monitor extended configuration (i.e., there is the need for the agent to send its configuration).

0xE3	0x00								APDU CHOICE Type (AareA pdu)
0x00	0x2C								CHOICE.length = 44
0x00	0x03								result = 3
0x50	0x79								data-proto-id = 20601
0x00	0x26								data-proto-info length = 38
0x80	0x00	0x00	0x00						protocolVersion
0x80	0x00								encoding rules = MDER
0x80	0x00	0x00	0x00						nomenclatureVersion
0x00	0x00	0x00	0x00						functionalUnits – normal Association
0x80	0x00	0x00	0x00						systemType = sys-type-manager
0x00	0x08								system-id length = 8 and value (manufacturer- and device- specific)
0x88	0x77	0x66	0x55	0x44	0x33	0x22	0x11		
0x00	0x00								Manager’s response to config-id is always 0
0x00	0x00								Manager’s response to data-req-mode-flags is always 0
0x00	0x00								data-req-init-agent-count = 0 data-req-init-manager-count=0
0x00	0x00	0x00	0x00						optionList.count = 0 optionList.length = 0

E.2.3 Previously known extended configuration

E.2.3.1 General

This exchange illustrates a transaction that takes place after a session beginning with an exchange like E.2.2 has occurred.

E.2.3.2 Association request

The peak expiratory flow monitor agent sends the following message to the manager. The agent intends to associate using an extended configuration.

0xE2	0x00								APDU CHOICE Type (AarqA pdu)
0x00	0x32								CHOICE.length = 50
0x80	0x00	0x00	0x00						assoc-version
0x00	0x01	0x00	0x2A						data-proto-list.count = 1 length = 42
0x50	0x79								data-proto-id = 20601
0x00	0x26								data-proto-info length = 38
0x80	0x00	0x00	0x00						protocolVersion
0x80	0x00								encoding rules = MDER
0x80	0x00	0x00	0x00						nomenclatureVersion
0x00	0x00	0x00	0x00						functionalUnits – no Test Association capabilities
0x00	0x80	0x00	0x00						systemType = sys-type-agent
0x00	0x08								system-id length = 8 and value (manufacturer- and device- specific)
0x31	0x32	0x33	0x34	0x35	0x36	0x37	0x38		
0x40	0x00								dev-config-id – extended configuration
0x00	0x01								data-req-mode-flags
0x01	0x00								data-req-init-agent-count = 1 data-req-init-manager-count=0
0x00	0x00	0x00	0x00						optionList.count = 0 optionList.length = 0

.....

E.2.3.3 Association response

A manager responds to the agent that it can associate with, recognizes, and accepts and has the peak expiratory flow monitor's extended configuration (i.e., there is no need for the agent to send its configuration).

0xE3 0x00	APDU CHOICE Type (AareA pdu)
0x00 0x2C	CHOICE.length = 44
0x00 0x00	result = accepted-unknown-config
0x50 0x79	data-proto-id = 20601
0x00 0x26	data-proto-info length = 38
0x80 0x00 0x00 0x00	protocolVersion
0x80 0x00	encoding rules = MDER
0x80 0x00 0x00 0x00	nomenclatureVersion
0x00 0x00 0x00 0x00	functionalUnits – normal Association
0x80 0x00 0x00 0x00	systemType = sys-type-manager
0x00 0x08	system-id length = 8 and value (manufacturer- and device- specific)
0x88 0x77 0x66 0x55 0x44 0x33 0x22 0x11	
0x00 0x00	Manager's response to config-id is always 0
0x00 0x00	Manager's response to data-req-mode-flags is always 0
0x00 0x00	data-req-init-agent-count = 0 data-req-init-manager-count = 0
0x00 0x00 0x00 0x00	optionList.count = 0 optionList.length = 0

E.2.4 Standard configuration

E.2.4.1 General

This transaction would occur if an agent presents an association request incorporating the dev-config-id corresponding to a Standard configuration. The manager has the configuration because it has been programmed with this configuration according to the information presented in this standard.

E.2.4.2 Association request

The peak expiratory flow monitor agent sends the following message to the manager. The agent intends to associate using a Standard configuration. The agent is willing to enter into a test association as defined in Clause 9.

0xE2 0x00	APDU CHOICE Type (AarqA pdu)
0x00 0x32	CHOICE.length = 50
0x80 0x00 0x00 0x00	assoc-version
0x00 0x01 0x00 0x2A	data-proto-list.count = 1 length = 42
0x50 0x79	data-proto-id = 20601
0x00 0x26	data-proto-info length = 38
0x80 0x00 0x00 0x00	protocolVersion
0x80 0x00	encoding rules = MDER
0x80 0x00 0x00 0x00	nomenclatureVersion
0x00 0x00 0x00 0x00	functionalUnits – no Test Association capabilities
0x00 0x80 0x00 0x00	systemType = sys-type-agent
0x00 0x08	system-id length = 8 and value (manufacturer- and device- specific)
0x31 0x32 0x33 0x34 0x35 0x36 0x37 0x38	
0x08 0x34	dev-config-id – standard configuration
0x00 0x01	data-req-mode-flags
0x01 0x00	data-req-init-agent-count = 1 data-req-init-manager-count = 0
0x00 0x00 0x00 0x00	optionList.count = 0 optionList.length = 0

E.2.4.3 Association response

A manager responds to the agent that it can associate with, recognizes, and accepts and has the peak expiratory flow monitor standard configuration (i.e., there is no need for the agent to send its configuration). The manager does not start a test association.

```

0xE3 0x00          APDU CHOICE Type (AareA pdu)
0x00 0x2C          CHOICE.length = 44
0x00 0x03          result = 3
0x50 0x79          data-proto-id = 20601
0x00 0x26          data-proto-info length = 38
0x80 0x00 0x00 0x00 protocolVersion
0x80 0x00          encoding rules = MDER
0x80 0x00 0x00 0x00 nomenclatureVersion
0x00 0x00 0x00 0x00 functionalUnits – normal Association
0x80 0x00 0x00 0x00 systemType = sys-type-manager
0x00 0x08          system-id length = 8 and value (manufacturer- and device- specific)
0x88 0x77 0x66 0x55 0x44 0x33 0x22 0x11
0x00 0x00          Manager’s response to config-id is always 0
0x00 0x00          Manager’s response to data-req-mode-flags is always 0
0x00 0x00          data-req-init-agent-count = 0 | data-req-init-manager-count = 0
0x00 0x00 0x00 0x00 optionList.count = 0 | optionList.length = 0
    
```

E.3 Configuration information exchange

E.3.1 General

If the association is not rejected or aborted, the agent and manager transition from the Associating state into one of two states. If the manager’s AssociateResult code is accepted, the agent and manager enter the operating state. If the manager’s AssociateResult code is accepted-unknown-config, the agent and manager enter the Configuring state.

E.3.2 Extended configuration

E.3.2.1 General

This exchange takes place when the manager returns the AssociateResult code of accepted-unknown-config. The agent presents a description of its configuration corresponding to the dev-config-id it presented in the association request.

E.3.2.2 Remote operation invoke event report configuration

The peak expiratory flow monitor agent sends the description of its extended configuration. It does this by sending a confirmed event report of type MDC_NOTI_CONFIG.

```

0xE7 0x00          APDU CHOICE Type (PrstA pdu)
0x00 0xEA          CHOICE.length = 234
0x00 0xE8          OCTET STRING.length = 232
0x00 0x02          invoke-id = 2 (start of DataA pdu. MDER encoded.)
0x01 0x01          CHOICE(Remote Operation Invoke | Confirmed Event Report)
0x00 0xE2          CHOICE.length = 226
0x00 0x00          obj-handle = 0 (MDS object)
0xFF 0xFF 0xFF 0xFF event-time=0xFFFFFFFF
0x0D 0x1C          event-type = MDC_NOTI_CONFIG
    
```

0x00 0xD8	event-info.length = 216 (start of ConfigReport)
0x40 0x00	config-report-id 16384 (extended config)
0x00 0x05	config-obj-list.count = 5 Measurement objects will be “announced”
0x00 0xD2	config-obj-list.length = 210
0x00 0x06	obj-class = MDC_MOC_VMO_METRIC_NU
0x00 0x01	obj-handle = 1
0x00 0x04	attributes.count = 4
0x00 0x24	attributes.length = 36
0x09 0x2F	attribute-id = MDC_ATTR_ID_TYPE
0x00 0x04	attribute-value.length = 4
0x00 0x02 0x54 0x08	MDC_PART_SCADA
	MDC_FLOW_AWAY_EXP_FORCED_PEAK
0x0A 0x46	attribute-id=MDC_ATTR_METRIC_SPEC_SMALL
0x00 0x02	attribute-value.length = 2
0xE0 0x40	attribute-value = 57408
0x09 0x96	attribute-id=MDC_ATTR_UNIT_CODE
0x00 0x02	attribute-value.length = 2
0xC0 0x00	MDC_DIM_X_L_PER_MIN
0x0A 0x55	attribute-id=MDC_ATTR_ATTRIBUTE_VAL_MAP
0x00 0x0C	attribute-value.length = 12
0x00 0x02	AttrValMap.count = 2
0x00 0x08	AttrValMap.length=8
0x0A 0x56	attribute-id=MDC_ATTR_NU_VAL_OBS_SIMP
0x00 0x04	attribute-value.length = 4
0x09 0x90	attribute-id= MDC_ATTR_TIME_STAMP_ABS
0x00 0x08	attribute-value.length = 8
0x00 0x06	obj-class = MDC_MOC_VMO_METRIC_NU
0x00 0x02	obj-handle = 2
0x00 0x04	attributes.count = 4
0x00 0x20	attributes.length = 32
0x09 0x2F	attribute-id = MDC_ATTR_ID_TYPE
0x00 0x04	attribute-value.length = 4
0x00 0x02 0x54 0x09	MDC_PART_SCADA
	MDC_FLOW_AWAY_EXP_FORCED_PEAK_PB
0x0A 0x46	attribute-id=MDC_ATTR_METRIC_SPEC_SMALL
0x00 0x02	attribute-value.length = 2
0xE0 0x40	attribute-value = 57408
0x09 0x96	attribute-id=MDC_ATTR_UNIT_CODE
0x00 0x02	attribute-value.length = 2
0xC0 0x00	MDC_DIM_X_L_PER_MIN
0x0A 0x55	attribute-id=MDC_ATTR_ATTRIBUTE_VAL_MAP
0x00 0x0C	attribute-value.length = 12
0x00 0x02	AttrValMap.count = 2
0x00 0x08	AttrValMap.length=8
0x0A 0x56	attribute-id=MDC_ATTR_NU_VAL_OBS_SIMP
0x00 0x04	attribute-value.length = 4
0x09 0x90	attribute-id= MDC_ATTR_TIME_STAMP_ABS
0x00 0x08	attribute-value.length = 8
0x00 0x06	obj-class = MDC_MOC_VMO_METRIC_NU
0x00 0x03	obj-handle = 3
0x00 0x04	attributes.count = 4

0x00	0x24			attributes.length = 36
0x09	0x2F			attribute-id = MDC_ATTR_ID_TYPE
0x00	0x04			attribute-value.length = 4
0x00	0x02	0x54	0x0A	MDC_PART_SCADA MDC_VOL_AWAY_EXP_FORCED_1S
0x0A	0x46			attribute-id=MDC_ATTR_METRIC_SPEC_SMALL
0x00	0x02			attribute-value.length = 2
0xE0	0x40			attribute-value = 57408
0x09	0x96			attribute-id = MDC_ATTR_UNIT_CODE
0x00	0x02			attribute-value.length = 2
0x06	0x40			MDC_DIM_X_L
0x0A	0x55			attribute-id = MDC_ATTR_ATTRIBUTE_VAL_MAP
0x00	0x0C			attribute-value.length = 12
0x00	0x02			AttrValMap.count = 2
0x00	0x08			AttrValMap.length = 8
0x0A	0x56			attribute-id = MDC_ATTR_NU_VAL_OBS_SIMP
0x00	0x04			attribute-value.length = 4
0x09	0x90			attribute-id = MDC_ATTR_TIME_STAMP_ABS
0x00	0x08			attribute-value.length = 8
0x00	0x06			obj-class = MDC_MOC_VMO_METRIC_NU
0x00	0x04			obj-handle = 4
0x00	0x04			attributes.count = 4
0x00	0x24			attributes.length = 36
0x09	0x2F			attribute-id = MDC_ATTR_ID_TYPE
0x00	0x04			attribute-value.length = 4
0x00	0x02	0x54	0x0B	MDC_PART_SCADA MDC_VOL_AWAY_EXP_FORCED_6S
0x0A	0x46			attribute-id=MDC_ATTR_METRIC_SPEC_SMALL
0x00	0x02			attribute-value.length = 2
0xE0	0x40			attribute-value = 57408
0x09	0x96			attribute-id=MDC_ATTR_UNIT_CODE
0x00	0x02			attribute-value.length = 2
0x06	0x40			MDC_DIM_X_L
0x0A	0x55			attribute-id=MDC_ATTR_ATTRIBUTE_VAL_MAP
0x00	0x0C			attribute-value.length = 12
0x00	0x02			AttrValMap.count = 2
0x00	0x08			AttrValMap.length = 8
0x0A	0x56			attribute-id=MDC_ATTR_NU_VAL_OBS_SIMP
0x00	0x04			attribute-value.length = 4
0x09	0x90			attribute-id= MDC_ATTR_TIME_STAMP_ABS
0x00	0x08			attribute-value.length = 8
0x00	0x05			obj-class = MDC_MOC_VMO_METRIC_ENUM
0x00	0x05			obj-handle = 5
0x00	0x03			attributes.count = 3
0x00	0x1A			attributes.length = 26
0x09	0x2F			attribute-id = MDC_ATTR_ID_TYPE
0x00	0x04			attribute-value.length = 4
0x00	0x80	0x78	0x00	MDC_PART_PHD_DM MDC_PEF_READING_STATUS
0x0A	0x46			attribute-id=MDC_ATTR_METRIC_SPEC_SMALL
0x00	0x02			attribute-value.length = 2
0x00	0x00			attribute-value = 0
0x0A	0x55			attribute-id=MDC_ATTR_ATTRIBUTE_VAL_MAP
0x00	0x08			attribute-value.length = 8
0x00	0x01			AttrValMap.count = 1

```

0x00 0x04      AttrValMap.length=4
0x0A 0x66      attribute-id=MDC_ATTR_ENUM_OBS_VAL_BASIC_BIT_STR
0x00 0x02      attribute-value.length = 2

```

E.3.2.3 Remote operation response event report configuration

The manager responds that it can utilize the agent's configuration. The manager does by sending the confirmed event report response with a config-result of accepted-config.

```

0xE7 0x00      APDU CHOICE Type (PrstApdu)
0x00 0x16      CHOICE.length = 22
0x00 0x14      OCTET STRING.length = 20
0x00 0x02      invoke-id = 0x02 (mirrored from invocation)
0x02 0x01      CHOICE (Remote Operation Response | Confirmed Event Report)
0x00 0x0E      CHOICE.length = 14
0x00 0x00      obj-handle = 0 (MDS object)
0xFF 0xFF 0xFF 0xFF      currentTime
0x0D 0x1C      event-type = MDC_NOTI_CONFIG
0x00 0x04      event-reply-info.length = 4
0x40 0x00      ConfigReportRsp.config-report-id = 0x4000
0x00 0x00      ConfigReportRsp.config-result = accepted-config

```

E.3.3 Known configuration

E.3.3.1 General

This exchange takes place when the manager returns the AssociateResult code of accepted because the manager had previously received and processed the configuration corresponding to the dev-config-id sent by the agent. In this case, there is no exchange of configuration information, and the manager and agent have moved into the Operating state.

E.3.3.2 Remote operation invoke event report configuration

Since the manager was already aware of the agent's configuration, the Configuring state is skipped, and no event report invocation is generated by the agent.

E.3.3.3 Remote operation response event report configuration

The Configuring state has been skipped. No event report invocation is generated by the agent, so the manager does not generate any response.

E.3.4 Standard configuration

E.3.4.1 General

This exchange takes place when the manager returns the AssociateResult code of accepted because the manager had previously been programmed with the documented standard configuration corresponding to the dev-config-id sent by the agent. In this case, there is no exchange of configuration information, and the manager and agent have moved into the Operating state.

E.3.4.2 Remote operation invoke event report configuration

Since the manager had been programmed with the agent's configuration, the Configuring state is skipped, and no event report invocation is generated by the agent.

E.3.4.3 Remote operation response event report configuration

The Configuring state has been skipped. No event report invocation is generated by the agent, so the manager does not generate any response.

E.4 GET MDS attributes service

E.4.1.1 General

The GET MDS attributes is invoked at any time, when an agent is in Associated state.

E.4.1.2 Get all medical device system attributes request

The manager queries the agent for its MDS Object attributes.

0xE7 0x00	APDU CHOICE Type (PrstA pdu)
0x00 0x0E	CHOICE.length = 14
0x00 0x0C	OCTET STRING.length = 12
0x00 0x06	invoke-id = 6 (differentiates this message from any other outstanding, choice is implementation specific)
0x01 0x03	CHOICE (Remote Operation Invoke Get)
0x00 0x06	CHOICE.length = 6
0x00 0x00	handle = 0 (MDS object)
0x00 0x00	attribute-id-list.count = 0 (all attributes)
0x00 0x00	attribute-id-list.length = 0

E.4.1.3 Get response with all MDS attributes

The peak expiratory flow monitor agent responds to the manager with its attributes. Furthermore, some optional fields are communicated as well.

0xE7 0x00	APDU CHOICE Type (PrstA pdu)
0x00 0x4A	CHOICE.length = 74
0x00 0x48	OCTET STRING.length = 72
0x00 0x06	invoke-id = 6 (mirrored from request)
0x02 0x03	CHOICE (Remote Operation Response Get)
0x00 0x42	CHOICE.length = 66
0x00 0x00	handle = 0 (MDS object)
0x00 0x04	attribute-list.count = 4
0x00 0x3C	attribute-list.length = 60
0x0A 0x5A	attribute id = MDC_ATTR_SYS_TYPE_SPEC_LIST
0x00 0x08	attribute-value.length = 8
0x00 0x01	TypeVerList count = 1
0x00 0x04	TypeVerList length = 4
0x10 0x15	type = MDC_DEV_SPEC_PROFILE_PEFM
0x00 0x01	version = 1
0x09 0x28	attribute id = MDC_ATTR_ID_MODEL
0x00 0x18	attribute-value.length = 24
0x00 0x0A 0x54 0x68	string length = 10 "TheCompany"
0x65 0x43 0x6F 0x6D	
0x70 0x61 0x6E 0x79	
0x00 0x0A 0x54 0x68	string length = 10 "ThePEFABC\0"
0x65 0x59 0x45 0x46	


```

0x41 0x42 0x43 0x00
0x09 0x84 attribute-id = MDC_ATTR_SYS_ID
0x00 0x0A attribute-value.length = 10
0x00 0x08 0x31 0x32 0x33 0x34 0x35 0x36 0x37 0x38 octet string length = 8 | EUI-64
0x0A 0x44 attribute-id = MDC_ATTR_DEV_CONFIG_ID
0x00 0x02 attribute-value.length = 2
0x40 0x00 dev-config-id = 4000 standard configuration

```

E.5 Data reporting

E.5.1 Confirmed measurement data transmission

The agent sends readings to the manager using confirmed fixed format event reports. Two examples are given below. In the first example, both PEF and FEV1 readings are returned along with Personal Best and Reading Status. In the second example, a single FEV6 reading is returned.

```

0xE7 0x00 APDU CHOICE Type (PrstApu)
0x00 0x50 CHOICE.length = 80
0x00 0x4E OCTET STRING.length = 78
0x00 0x07 invoke-id = 7
0x01 0x01 CHOICE(Remote Operation Invoke | Confirmed Event Report)
0x00 0x48 CHOICE.length = 72
0x00 0x00 obj-handle = 0 (MDS object)
0xFF 0xFF 0xFF 0xFF event-time = 0xFFFFFFFF
0x0D 0x1D event-type = MDC_NOTI_SCAN_REPORT_FIXED
0x00 0x3E event-info.length = 62
0xF0 0x00 ScanReportInfoFixed.data-req-id = 0xF000
0x00 0x00 ScanReportInfoFixed.scan-report-no = 0
0x00 0x04 ScanReportInfoFixed.obs-scan-fixed.count = 4
0x00 0x36 ScanReportInfoFixed.obs-scan-fixed.length = 54
0x00 0x01 ScanReportInfoFixed.obs-scan-fixed.value[0].obj-handle = 1
0x00 0x0C ScanReportInfoFixed.obs-scan-fixed.value[0].obs-val-data.length = 12
0xFC 0x4C 0x4B 0x40 Simple-Nu-Observed-Value = 500.0 Liters per min
0x20 0x07 0x09 0x17
0x08 0x30 0x00 0x00 Absolute-Time-Stamp=2007-09-17T08:30:0000
0x00 0x02 ScanReportInfoFixed.obs-scan-fixed.value[0].obj-handle = 2
0x00 0x0C ScanReportInfoFixed.obs-scan-fixed.value[0].obs-val-data.length = 12
0xFC 0x53 0xEC 0x60 Simple-Nu-Observed-Value = 550.0 Liters per min
0x20 0x07 0x09 0x17
0x08 0x30 0x00 0x00 Absolute-Time-Stamp=2007-09-17T08:30:0000
0x00 0x03 ScanReportInfoFixed.obs-scan-fixed.value[0].obj-handle = 3
0x00 0x0C ScanReportInfoFixed.obs-scan-fixed.value[0].obs-val-data.length = 12
0xFA 0x30 0xD4 0x00 Simple-Nu-Observed-Value = 3.2 Liters
0x20 0x07 0x09 0x17
0x08 0x30 0x00 0x00 Absolute-Time-Stamp=2007-09-17T08:30:0000
0x00 0x05 ScanReportInfoFixed.obs-scan-fixed.value[0].obj-handle = 5
0x00 0x02 ScanReportInfoFixed.obs-scan-fixed.value[0].obs-val-data.length = 2
0x00 0x00 Enum-Observed-Value-Basic-Bit-Str = 0

```

The second optional update would be for FEV6.

```

0xE7 0x00 APDU CHOICE Type (PrstApu)
0x00 0x2A CHOICE.length = 42

```

```

0x00 0x28          OCTET STRING.length = 40
0x00 0x08          invoke-id = 8
0x01 0x01          CHOICE(Remote Operation Invoke | Confirmed Event Report)
0x00 0x22          CHOICE.length = 34
0x00 0x00          obj-handle = 0 (MDS object)
0xFF 0xFF 0xFF 0xFF event-time = 0xFFFFFFFF
0x0D 0x1D          event-type = MDC_NOTI_SCAN_REPORT_FIXED
0x00 0x18          event-info.length = 24
0xF0 0x00          ScanReportInfoFixed.data-req-id = 0xF000
0x00 0x01          ScanReportInfoFixed.scan-report-no = 1
0x00 0x01          ScanReportInfoFixed.obs-scan-fixed.count = 1
0x00 0x10          ScanReportInfoFixed.obs-scan-fixed.length = 16
0x00 0x04          ScanReportInfoFixed.obs-scan-fixed.value[0].obj-handle = 4
0x00 0x0C          ScanReportInfoFixed.obs-scan-fixed.value[0].obs-val-data.length = 12
0xFA 0x35 0x67 0xE0 Simple-Nu-Observed-Value = 3.5 Liters
0x20 0x07 0x09 0x17
0x08 0x30 0x00 0x00 Absolute-Time-Stamp = 2007-09-17T08:30:0000

```

E.5.2 Response to confirmed measurement data transmission

The manager confirms receipt of the agent’s event report. Two responses are listed below for corresponding to the two examples in E.5.1.

Response for PEF, PB, FEV1, and Reading Status

```

0xE7 0x00          APDU CHOICE Type (PrstAdu)
0x00 0x12          CHOICE.length = 18
0x00 0x10          OCTET STRING.length = 16
0x00 0x07          invoke-id = 7 (mirrored from invocation)
0x02 0x01          CHOICE(Remote Operation Response | Confirmed Event Report)
0x00 0x0A          CHOICE.length = 10
0x00 0x00          obj-handle = 0 (MDS object)
0xFF 0xFF 0xFF 0xFF currentTime
0x0D 0x1D          event-type = MDC_NOTI_SCAN_REPORT_FIXED
0x00 0x00          event-reply-info.length = 0

```

Response for FEV6

```

0xE7 0x00          APDU CHOICE Type (PrstAdu)
0x00 0x12          CHOICE.length = 18
0x00 0x10          OCTET STRING.length = 16
0x00 0x08          invoke-id = 8 (mirrored from invocation)
0x02 0x01          CHOICE(Remote Operation Response | Confirmed Event Report)
0x00 0x0A          CHOICE.length = 10
0x00 0x00          obj-handle = 0 (MDS object)
0xFF 0xFF 0xFF 0xFF currentTime
0x0D 0x1D          event-type = MDC_NOTI_SCAN_REPORT_FIXED
0x00 0x00          event-reply-info.length = 0

```

E.6 Disassociation

E.6.1 Association release request

The peak expiratory flow monitor agent sends the following message to the manager.

0xE4 0x00	APDU CHOICE Type (RlrqApdu)
0x00 0x02	CHOICE.length = 2
0x00 0x00	reason = normal

E.6.2 Association release response

A manager responds to the agent that it can release association.

0xE5 0x00	APDU CHOICE Type (RlreApdu)
0x00 0x02	CHOICE.length = 2
0x00 0x00	reason = normal

Annex F (informative)

IEEE list of participants

At the time this standard was submitted to the IEEE-SA Standards Board for approval, the Personal Health Device Working Group had the following membership:

Douglas P. Borgia, *Chair*
Ananth Balasubramanian, *Vice Chair*

Karsten Aalders	John A. Cogan	Jeff Guttmacher
Charles R. Abbruscato	Moshe Cohen	Christian Habermann
Nabil Abujbara	John T. Collins	Mikey Hagerty
Maher Abuzaid	Cory Condek	Jerry Hahn
Jon Adams	Todd H. Cooper	Robert Hall
Manfred Aigner	Nigel Cox	Rickey L. Hampton
Murtaza Ali	Tomio Crosley	Sten Hanke
Rolf Ambuehl	Jeremy Cummin	Kai Hassing
Lawrence Arne	Allen Curtis	Marc Daniel Haunschild
Serafin Arroyo	Kathryn Cush	Mike Hayes
Kevin Arruda	Rupert Dance	Mike Hayes
Muhammad Asim	Jesús Daniel Trigo	Charles Henderson
Merat Bagha	Sushil K. Deka	Timothy L. Hirou
Doug Baird	Pedro de-las-Heras-Quiros	Allen Hobbs
David Baker	Jim DelloStritto	Alex Holland
Anindya Bakshi	Matthew d'Entremont	Arto Holopainen
Ananth Balasubramanian	Kent Dicks	Robert Hoy
Sunlee Bang	Hyoungdo Do	Frank Hsu
M. Jonathan Barkley	Amy Droitcour	Anne Huang
Gilberto Barrón	Brian Dubreuil	Sen-Der Huang
David Bean	Jakob Ehrensvar	David Hughes
John Bell	Fredrik Einberg	Robert D. Hughes
Rudy Belliardi	Roger M. Ellingson	Nick Hunn
Yazid Benazzouz	Michihiro Enokida	Hugh Hunter
George A. Bertos	Javier Escayola Calvo	Hitoshi Ikeda
Ola Björnsne	Leonardo Estevez	Yutaka Ikeda
Thomas Blackadar	Roger Feeley	Philip O. Isaacson
Marc Blanchet	Bosco T. Fernandes	Atsushi Ito
Thomas Bluethner	Gear Fisher	Praduman Jain
Xavier Boniface	Julie N. Fleischer	Ho-In Jeon
Shannon Boucouis	Roger Florkowski	Danny Jochelson
Julius Broma	Joseph W. Forler	Chris Johnson
Lyle G. Bullock, Jr.	Russell Foster	Phaneeth Junga
Bernard Burg	Eric Freudenthal	Akiyoshi Kabe
Chris Burns	Matthias Frohner	Steve Kahle
Anthony Butt	Miguel Galarraga	Tomio Kamioka
Jeremy Byford-Rew	Jing Gao	Kei Kariya
Satya Calloji	Marcus Garbe	Andy Kaschl
Carole C. Carey	Gracinda García Lago	Junzo Kashiwara
Santiago Carot-Nemesio	Juan García-Prieto Cuesta	Kohichi Kashiwagi
Randy W. Carroll	John Garguilo	Ralph Kent
Rahul Chauhan	Rick Geimer	Kurt M. Kermes
James Cheng	Igor Gejdos	Ikuo Keshi
Maria Cherkaoui	Ferenc Gerbovics	Minho Kim
Peggy Chien	Nicolae Goga	Min-Joon Kim
Silviu Chiricescu	Julian Goldman	Taekon Kim
Jiho Choi	Raul Gonzalez Gomez	Tetsuya Kimura
Chia-Chin Chong	Chris Gough	Michael Kirwin
Saeed A. Choudhary	Channa Gowda	Alfred Kloos
Jinhan Chung	Niclas Granqvist	Jeongmee Koh
Malcolm Clarke	Charles Gropper	Jean-Marc Koller
Rick A. Cnossen	Amit Gupta	Thomas Kottler

Patty Krantz	Jong-Tae Park	Raymond Strickland
Alexander Kraus	Soojun Park	Hermann Suominen
Ramesh Krishna	Phillip E. Pash	Lee Surprenant
Falko Kuester	TongBi Pei	Ravi Swami
Pierre Landau	Soren Petersen	Ray Sweidan
Rami Lee	Arnie Pittler	Kunihiro Takiuchi
Woojae Lee	Carol Primdahl	Francis Tam
Yonghee Lee	Arif Rahman	Haruyuyki Tatsumi
Kathryn A. Lesh	Barry Reinhold	Brad Tipler
Qiong Li	Brian Reinhold	Jonas Tirén
Patrick Lichter	Melvin I. Reynolds	James Tomcik
Jisoon Lim	Jeffrey S. Robbins	Janet Traub
Joon-Ho Lim	Scott Robertson	Gary Tschautscher
John Lin	Timothy Robertson	Masato Tsuchid
Wei-Jung Lo	David Rosales	Ken Tubman
Charles Lowe	Bill Saltzstein	Yoshihiro Uchida
Sandra Martinez	Jose A. Santos-Cadenas	Sunil Unadkat
Miguel Martínez de Espronceda	Stefan Sauermann	Philipp Urbauer
Cámara	John Sawyer	Laura Vanzago
Dennis Mathews	Paul S. Schluter	Alpo Värri
Peter Mayhew	Johannes Schmidt	Daniel von Büren
Jim McCain	Lars Schmitt	Rudi Voon
Richard McPartland	Mark G. Schnell	Isobel Walker
László Meleg	Richard A. Schrenker	Jörg Walter
Jinsei Miyazaki	Antonio Scorpiniti	David Wang
Darr Moore	Kwang Seok Seo	Jerry P. Wang
Joe Morrissey	Riccardo Serafin	Yao Wang
Piotr Murawski	Sid Shaw	Steve Warren
Soundharya Nagasubramanian	Frank Shen	Fujio Watanabe
Jae-Wook Nah	Min Shih	Toru Watsuji
Alex Neefus	Mazen Shihabi	Jeff Webber
Michael E. Nidd	Tommy Shing	Paul Williamson
Tetsu Nishimura	Krishna Shingala	Jan Wittenber
Jim Niswander	Redmond Shouldice	Jia-Rong Wu
Hiroaki Niwamoto	Robert Smith	Will Wykeham
Thomas Norgall	Ivan Soh	Ariton Xhafa
Yoshiteru Nozoe	Motoki Sone	Ricky Yang
Brett Olive	Emily Sopensky	Done-Sik Yoo
Charles Palmer	Andreas Staubert	Jason Zhang
Bud Panjwani	Nick Steblay	Thomas Zhao
Carl Pantiskas	Lars Steubesand	Daidi Zhong
Mikey Paradis	John (Ivo) Stivoric	Szymon Zysko

The following members of the individual balloting committee voted on this standard. Balloters may have voted for approval, disapproval, or abstention.

Christopher Biernacki	Sourav Dutta	Wade Midkiff
Thomas Blackadar	Randall Groves	Melvin Reynolds
Douglas P. Bogia	Kai Hassing	Bartien Sayogo
Nancy Bravin	Werner Hoelzl	Lars Schmitt
Lyle Bullock	Atsushi Ito	Gil Shultz
Randy W. Carroll	Piotr Karocki	James E. Smith
Peng Chen	Daniel Levesque	Kapil Sood
Keith Chow	William Lumpkins	Lars Steubesand
Malcolm Clarke	G. Luri	Jan Wittenber
Richard Doyle		Oren Yuen

When the IEEE-SA Standards Board approved this standard on 30 September 2010, it had the following membership:

Robert M. Grow, *Chair*
Richard H. Hulett, *Vice Chair*
Steve M. Mills, *Past Chair*
Judith Gorman, *Secretary*

Karen Bartleson
Victor Berman
Ted Burse
Clint Chaplin
Andy Drozd
Alexander Gelman
Jim Hughes

Young Kyun Kim
Joseph L. Koepfinger*
John Kulick
David J. Law
Hung Ling
Oleg Logvinov
Ted Olsen

Ronald C. Petersen
Thomas Prevost
Jon Walter Rosdahl
Sam Sciacca
Mike Seavey
Curtis Siller
Don Wright

*Member Emeritus

Also included are the following nonvoting IEEE-SA Standards Board liaisons:

Satish Aggarwal, *NRC Representative*

Richard DeBlasio, *DOE Representative*

Michael Janezic, *NIST Representative*

Don Messina
IEEE Standards Program Manager, Document Development

Kathryn M. Bennett
IEEE Standards Program Manager, Technical Program Development

IEEE Notice to Users

Notice and Disclaimer of Liability Concerning the Use of IEEE Documents: IEEE Standards documents are developed within the IEEE Societies and the Standards Coordinating Committees of the IEEE Standards Association (IEEE-SA) Standards Board. IEEE develops its standards through a consensus development process, approved by the American National Standards Institute, which brings together volunteers representing varied viewpoints and interests to achieve the final product. Volunteers are not necessarily members of the Institute and serve without compensation. While IEEE administers the process and establishes rules to promote fairness in the consensus development process, IEEE does not independently evaluate, test, or verify the accuracy of any of the information or the soundness of any judgments contained in its standards.

Use of an IEEE Standard is wholly voluntary. IEEE disclaims liability for any personal injury, property or other damage, of any nature whatsoever, whether special, indirect, consequential, or compensatory, directly or indirectly resulting from the publication, use of, or reliance upon any IEEE Standard document.

IEEE does not warrant or represent the accuracy or content of the material contained in its standards, and expressly disclaims any express or implied warranty, including any implied warranty of merchantability or fitness for a specific purpose, or that the use of the material contained in its standards is free from patent infringement. IEEE Standards documents are supplied "AS IS."

The existence of an IEEE Standard does not imply that there are no other ways to produce, test, measure, purchase, market, or provide other goods and services related to the scope of the IEEE standard. Furthermore, the viewpoint expressed at the time a standard is approved and issued is subject to change brought about through developments in the state of the art and comments received from users of the standard. Every IEEE standard is subjected to review at least every ten years. When a document is more than ten years old and has not undergone a revision process, it is reasonable to conclude that its contents, although still of some value, do not wholly reflect the present state of the art. Users are cautioned to check to determine that they have the latest edition of any IEEE standard.

In publishing and making its standards available, IEEE is not suggesting or rendering professional or other services for, or on behalf of, any person or entity. Nor is IEEE undertaking to perform any duty owed by any other person or entity to another. Any person utilizing any IEEE Standards document, should rely upon his or her own independent judgment in the exercise of reasonable care in any given circumstances or, as appropriate, seek the advice of a competent professional in determining the appropriateness of a given IEEE standard.

Translations: The IEEE consensus development process involves the review of documents in English only. In the event that an IEEE standard is translated, only the English version published by IEEE should be considered the approved IEEE standard.

Official Statements: A statement, written or oral, that is not processed in accordance with the IEEE-SA Standards Board Operations Manual shall not be considered the official position of IEEE or any of its committees and shall not be considered to be, nor be relied upon as, a formal position of IEEE. At lectures, symposia, seminars, or educational courses, an individual presenting information on IEEE standards shall make it clear that his or her views should be considered the personal views of that individual rather than the formal position of IEEE.

Comments on Standards: Comments for revision of IEEE Standards documents are welcome from any interested party, regardless of membership affiliation with IEEE. However, IEEE does not provide consulting information or advice pertaining to IEEE Standards documents. Suggestions for changes in documents should be in the form of a proposed change of text, together with appropriate supporting comments. Since IEEE standards represent a consensus of concerned interests, it is important to ensure that any responses to comments and questions also receive the concurrence of a balance of interests. For this reason, IEEE and the members of its societies and Standards Coordinating Committees are not able to provide an instant response to comments or questions except in those cases where the matter has previously been addressed. Any person who would like to participate in evaluating comments or revisions to an IEEE standard is welcome to join the relevant IEEE working group at <http://standards.ieee.org/develop/wg/>.

Comments on standards should be submitted to the following address:

Secretary, IEEE-SA Standards Board
445 Hoes Lane
Piscataway, NJ 08854-4141
USA

Photocopies: Authorization to photocopy portions of any individual standard for internal or personal use is granted by The Institute of Electrical and Electronics Engineers, Inc., provided that the appropriate fee is paid to Copyright Clearance Center. To arrange for payment of licensing fee, please contact Copyright Clearance Center, Customer Service, 222 Rosewood Drive, Danvers, MA 01923 USA; +1 978 750 8400. Permission to photocopy portions of any individual standard for educational classroom use can also be obtained through the Copyright Clearance Center.

Patents: Attention is called to the possibility that implementation of this standard may require use of subject matter covered by patent rights. By publication of this standard, no position is taken with respect to the existence or validity of any patent rights in connection therewith. If a patent holder or patent applicant has filed a statement of assurance via an Accepted Letter of Assurance, then the statement is listed on the IEEE-SA Website <http://standards.ieee.org/about/sasb/patcom/patents.html>. Letters of Assurance may indicate whether the Submitter is willing or unwilling to grant licenses under patent rights without compensation or under reasonable rates, with reasonable terms and conditions that are demonstrably free of any unfair discrimination to applicants desiring to obtain such licenses.

Essential Patent Claims may exist for which a Letter of Assurance has not been received. The IEEE is not responsible for identifying Essential Patent Claims for which a license may be required, for conducting inquiries into the legal validity or scope of Patents Claims, or determining whether any licensing terms or conditions provided in connection with submission of a Letter of Assurance, if any, or in any licensing agreements are reasonable or non-discriminatory. Users of this standard are expressly advised that determination of the validity of any patent rights, and the risk of infringement of such rights, is entirely their own responsibility. Further information may be obtained from the IEEE Standards Association.

IMPORTANT NOTICE: IEEE Standards documents are not intended to ensure safety, health, or environmental protection, or ensure against interference with or from other devices or networks. Implementers of IEEE Standards documents are responsible for determining and complying with all appropriate safety, security, environmental, health, and interference protection practices and all applicable laws and regulations.

This IEEE document is made available for use subject to important notices and legal disclaimers. These notices and disclaimers appear in all publications containing this document and may be found under the heading "Important Notice" or "Important Notices and Disclaimers Concerning IEEE Documents." They can also be obtained on request from IEEE or viewed at <http://standards.ieee.org/IPR/disclaimers.html>.

Abstract: Within the context of the ISO/IEEE 11073 family of standards for device communication, a normative definition of communication is established in this standard between personal telehealth peak expiratory flow monitor devices and compute engines (e.g., cell phones, personal computers, personal health appliances, and set top boxes) in a manner that enables plug-and-play interoperability. Appropriate portions of existing standards are leveraged, including ISO/IEEE 11073 terminology, information models, application profile standards, and transport standards. The use of specific term codes, formats, and behaviors is specified in telehealth environments restricting optionality in base frameworks in favor of interoperability. A common core of communication functionality is defined for personal telehealth peak expiratory flow monitor devices.

Keywords: forced expiratory volume, medical device communication, peak expiratory flow, peak expiratory flow monitor, peak flow, personal health devices.

ICS 35.240.80

ISBN (PDF) 978-0-7381-6460-1; ISBN (Print) 978-0-7381-6461-8

Price based on 54 pages