
Aerospace — Locking clips, in corrosion-resistant steel, for aircraft control wire rope turnbuckles — Dimensions

Aéronautique et espace — Epingles de freinage, en acier résistant à la corrosion, pour tendeurs de câbles de commande d'aéronefs — Dimensions



PDF disclaimer

This PDF file may contain embedded typefaces. In accordance with Adobe's licensing policy, this file may be printed or viewed but shall not be edited unless the typefaces which are embedded are licensed to and installed on the computer performing the editing. In downloading this file, parties accept therein the responsibility of not infringing Adobe's licensing policy. The ISO Central Secretariat accepts no liability in this area.

Adobe is a trademark of Adobe Systems Incorporated.

Details of the software products used to create this PDF file can be found in the General Info relative to the file; the PDF-creation parameters were optimized for printing. Every care has been taken to ensure that the file is suitable for use by ISO member bodies. In the unlikely event that a problem relating to it is found, please inform the Central Secretariat at the address given below.

© ISO 2000

All rights reserved. Unless otherwise specified, no part of this publication may be reproduced or utilized in any form or by any means, electronic or mechanical, including photocopying and microfilm, without permission in writing from either ISO at the address below or ISO's member body in the country of the requester.

ISO copyright office
Case postale 56 • CH-1211 Geneva 20
Tel. + 41 22 749 01 11
Fax + 41 22 749 09 47
E-mail copyright@iso.ch
Web www.iso.ch

Printed in Switzerland

Foreword

ISO (the International Organization for Standardization) is a worldwide federation of national standards bodies (ISO member bodies). The work of preparing International Standards is normally carried out through ISO technical committees. Each member body interested in a subject for which a technical committee has been established has the right to be represented on that committee. International organizations, governmental and non-governmental, in liaison with ISO, also take part in the work. ISO collaborates closely with the International Electrotechnical Commission (IEC) on all matters of electrotechnical standardization.

International Standards are drafted in accordance with the rules given in the ISO/IEC Directives, Part 3.

Draft International Standards adopted by the technical committees are circulated to the member bodies for voting. Publication as an International Standard requires approval by at least 75 % of the member bodies casting a vote.

International Standard ISO 9761 was prepared by Technical Committee ISO/TC 20, *Aircraft and space vehicles*, Subcommittee SC 12, *Mechanical system parts*.

Aerospace — Locking clips, in corrosion-resistant steel, for aircraft control wire rope turnbuckles — Dimensions

1 Scope

This International Standard specifies the characteristics of locking clips in corrosion-resistant steel for aircraft control wire rope turnbuckles.

2 Normative references

The following normative documents contain provisions which, through reference in this text, constitute provisions of this International Standard. For dated references, subsequent amendments to, or revisions of, any of these publications do not apply. However, parties to agreements based on this International Standard are encouraged to investigate the possibility of applying the most recent editions of the normative documents indicated below. For undated references, the latest edition of the normative document referred to applies. Members of ISO and IEC maintain registers of currently valid International Standards.

ISO 6931-1:1994, *Stainless steels for springs — Part 1: Wire*.

ISO 8074:1985, *Aerospace — Surface treatment of austenitic stainless steel parts*.

ISO 13715:2000, *Technical drawings — Edges of undefined shape — Vocabulary and indication on drawings*.

3 Configuration, dimensions and masses

Configuration, dimensions and masses shall be in accordance with Figure 1 and Table 1.

4 Material

Corrosion-resistant steel for springs in accordance with ISO 6931-1.

5 Surface treatment

Passivation in accordance with ISO 8074.

Dimensions in millimetres

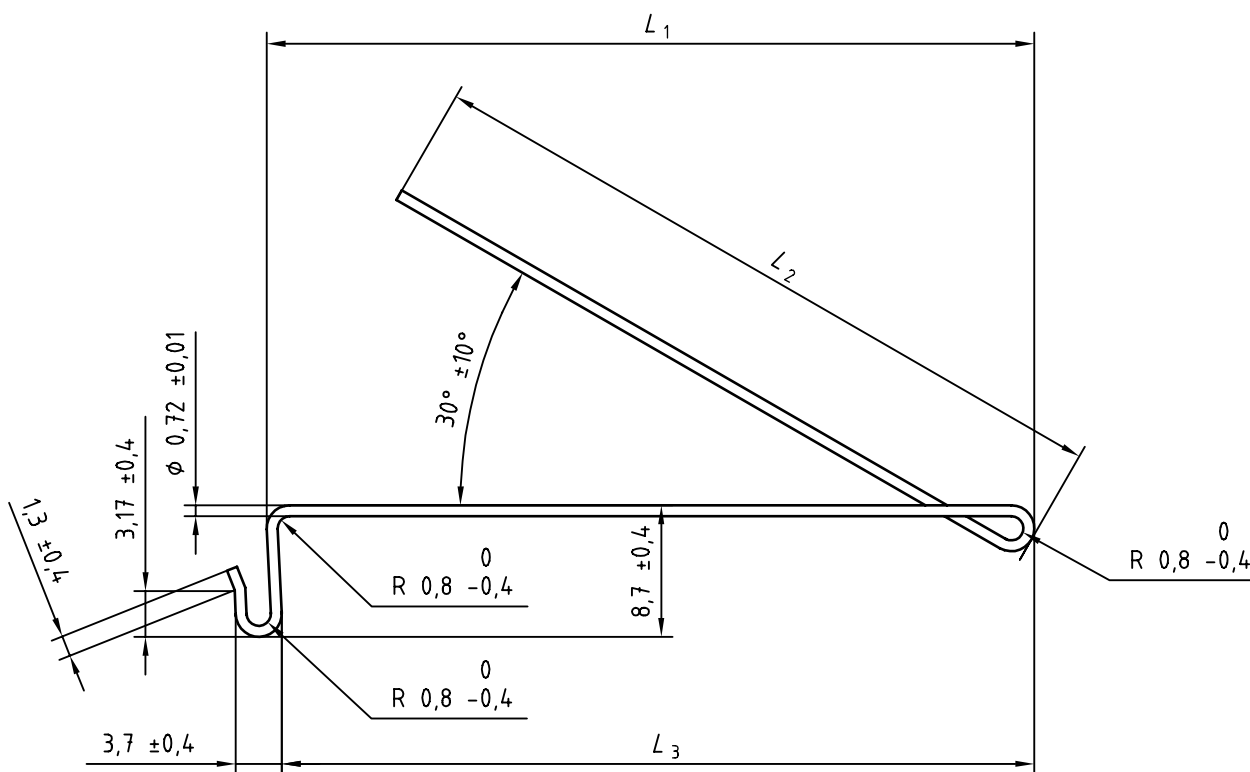
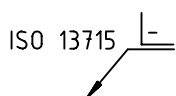


Figure 1

Table 1

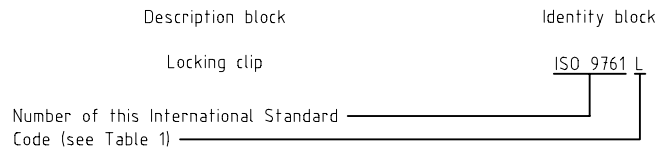
Dimensions in millimetres

| Code | L_1 | L_2 | L_3 | Mass g/piece |
|------|-----------|-----------|------------------|-----------------|
| | $\pm 0,4$ | $\pm 0,4$ | $+0,2$ $-0,4$ | \approx |
| S | 28,2 | 25 | 27 | 0,21 |
| L | 50,8 | 47,6 | 49,7 | 0,36 |

6 Designation

Each locking clip in accordance with this International Standard shall be designated as shown in the following example.

EXAMPLE



7 Marking

The following information shall figure at least on each package and label:

- manufacturer's name,
- identity block in accordance with clause 6,
- quantity (in the case of grouped packing).

ICS 49.035

Price based on 3 pages
