

INTERNATIONAL STANDARD

ISO 9656

Second edition
2004-09-15

Pliers and nippers for electronics — Test methods

Pinces pour l'électronique — Méthodes d'essai



Reference number
ISO 9656:2004(E)

© ISO 2004

PDF disclaimer

This PDF file may contain embedded typefaces. In accordance with Adobe's licensing policy, this file may be printed or viewed but shall not be edited unless the typefaces which are embedded are licensed to and installed on the computer performing the editing. In downloading this file, parties accept therein the responsibility of not infringing Adobe's licensing policy. The ISO Central Secretariat accepts no liability in this area.

Adobe is a trademark of Adobe Systems Incorporated.

Details of the software products used to create this PDF file can be found in the General Info relative to the file; the PDF-creation parameters were optimized for printing. Every care has been taken to ensure that the file is suitable for use by ISO member bodies. In the unlikely event that a problem relating to it is found, please inform the Central Secretariat at the address given below.

© ISO 2004

All rights reserved. Unless otherwise specified, no part of this publication may be reproduced or utilized in any form or by any means, electronic or mechanical, including photocopying and microfilm, without permission in writing from either ISO at the address below or ISO's member body in the country of the requester.

ISO copyright office
Case postale 56 • CH-1211 Geneva 20
Tel. + 41 22 749 01 11
Fax + 41 22 749 09 47
E-mail copyright@iso.org
Web www.iso.org

Published in Switzerland

Foreword

ISO (the International Organization for Standardization) is a worldwide federation of national standards bodies (ISO member bodies). The work of preparing International Standards is normally carried out through ISO technical committees. Each member body interested in a subject for which a technical committee has been established has the right to be represented on that committee. International organizations, governmental and non-governmental, in liaison with ISO, also take part in the work. ISO collaborates closely with the International Electrotechnical Commission (IEC) on all matters of electrotechnical standardization.

International Standards are drafted in accordance with the rules given in the ISO/IEC Directives, Part 2.

The main task of technical committees is to prepare International Standards. Draft International Standards adopted by the technical committees are circulated to the member bodies for voting. Publication as an International Standard requires approval by at least 75 % of the member bodies casting a vote.

Attention is drawn to the possibility that some of the elements of this document may be the subject of patent rights. ISO shall not be held responsible for identifying any or all such patent rights.

ISO 9656 was prepared by Technical Committee ISO/TC 29, *Small tools*, Subcommittee SC 10, *Assembly tools for screws and nuts, pliers and nippers*.

This second edition cancels and replaces the first edition (ISO 9656:1989) which has been technically revised.

Pliers and nippers for electronics — Test methods

1 Scope

This International Standard specifies the methods of test for checking the correct functioning of pliers and nippers for electronics.

The test parameters have been specified on the basis of the functional uses of the tools.

2 Normative references

The following referenced documents are indispensable for the application of this document. For dated references, only the edition cited applies. For undated references, the latest edition of the referenced document (including any amendments) applies.

ISO 9654, *Pliers and nippers for electronics — Single-purpose nippers — Cutting nippers*

IEC 60317-0-1, *Specifications for particular types of winding wires — Part 0-1: General requirements — Enamelled round copper wire*

3 Wire cutting test

3.1 General

Cutting nippers for electronics shall cut Cu ETP wire in accordance with IEC 60317-0-1. The range of diameters of the test wire are specified in ISO 9654.

Upon completion of the test, the cutting edges shall show neither visible indentation nor distortion which could affect the cutting performance of the tool. Nor shall the tool show any damage that could affect its further use.

3.2 Diagonal and oblique cutting nippers

3.2.1 Place a straight length of the minimum diameter test wire on a hard, flat, horizontal surface. The wire shall be cut using the point of the jaws with the cutting edge vertical, solely by the application of manual force on the handles.

3.2.2 Place a length of approximately 25 mm of the minimum diameter test wire at any position along the top two-thirds of the cutting edges, measured from the point. The wire shall be cut solely by the application of manual force on the handles.

3.2.3 Diagonal and oblique cutting nippers shall cut the maximum diameter test wire at any position along the cutting edges.

3.3 All other cutting nippers for electronics

Place a length of maximum 25 mm of the minimum diameter test wire at any position along the cutting edges. The wire shall be cut solely by the application of manual force on the handles. The same requirement applies also when using the maximum diameter test wire.

4 Torsion test for round nose pliers

4.1 Test block

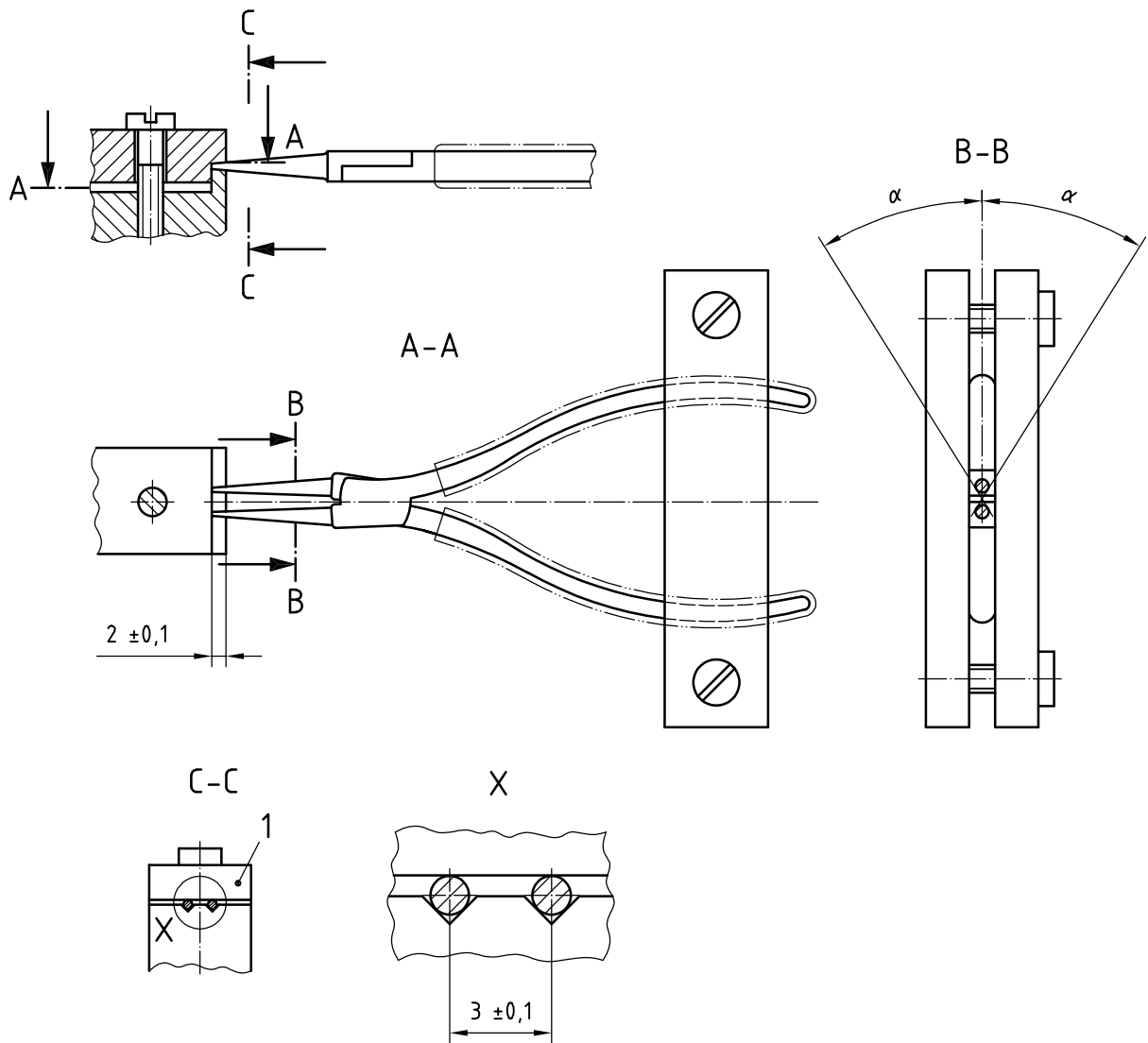
The jaws shall be inserted into two 90° V notches in the test block such that the points of the jaws are 3 mm apart and the jaws are clamped over a length of 2 mm from the point (see Figure 1). The test block shall have a hardness of between 40 HRC and 45 HRC.

4.2 Procedure

With the jaws clamped in the test block, and the handles clamped to resist the turning moment, apply sufficient torque, first in a clockwise direction and then in an anti-clockwise direction, to rotate the jaws relative to the handles through the angle α specified in Table 1 appropriate to the type of pliers under test.

Upon completion of the test, the points of the jaws shall show no angular misalignment and the tool shall show no damage that could affect its further use.

Dimensions in millimetres



Key

1 test piece

Figure 1 — Example for torsion test for round nose pliers

Table 1 — Torsion values for round nose pliers

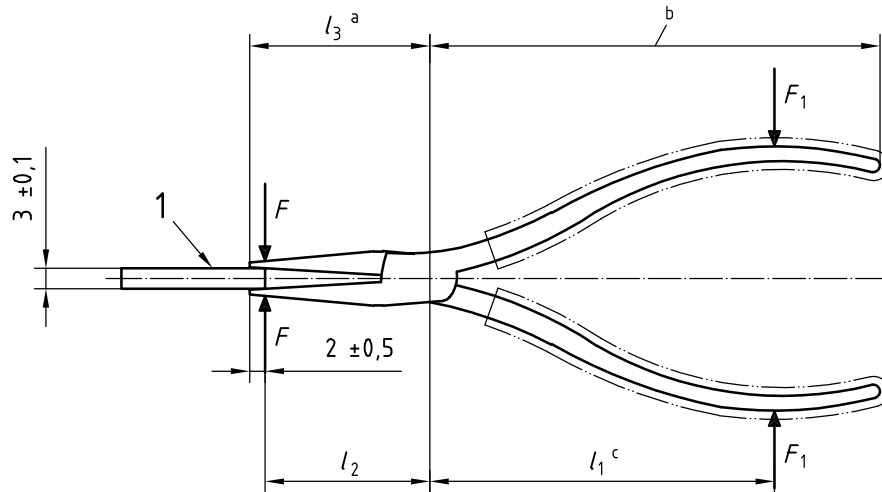
Length of jaws	Nominal length <i>l</i> mm	Twist angle α $\pm 3^\circ$
Short jaws	112	20°
	125	
Long jaws	125	25°
	140	

5 Load test for flat nose and snipe nose pliers

5.1 Test piece

Pliers shall grip a $3 \text{ mm} \pm 0,1 \text{ mm}$ thick test piece over a length of $2 \text{ mm} \pm 0,5 \text{ mm}$ measured from the point (see Figure 2). The hardness of the test piece shall be between 30 HRC and 40 HRC.

Dimensions in millimetres



Key

1 test piece

^a l_3 is the length from the point of the jaws to the centre of the joint rivet. The test piece shall not be allowed to slip from the jaws.

^b Length of handle.

^c l_1 is equal to 0,8 times the length of the handle.

Figure 2 — Example for load test for snip nose pliers and flat nose pliers

5.2 Procedure

Apply the load F_1 (see Figure 2), calculated using the formula given in Tables 2 and 3, appropriate to the type of pliers under test.

Upon completion of the test, the tool shall show no damage that could affect its further use.

Table 2 — Flat nose pliers, load test

Length of jaws	Nominal length l mm	Load test	
		F N	F_1
Short jaws	112	500	$F_1 = \frac{F \times l_2}{l_1}$
	125		
Long jaws	125	400	
	140		

Table 3 — Snipe nose pliers, load test

Length of jaws	Nominal length l mm	Load test	
		F N	F_1
Short jaws	112	400	$F_1 = \frac{F \times l_2}{l_1}$
	125		
Long jaws	125	250	
	140		

6 Hardness test of jaws

The hardness shall be measured on the gripping surface or on an adjacent face at a distance of not more than 1 mm from the gripping surface.

On cutting nippers, the hardness of the cutting edges shall be measured not more than 1 mm from the line of the edges.

Bibliography

- [1] ISO 6508-1, *Metallic materials — Rockwell hardness test — Part 1: Test method (scales A, B, C, D, E, F, G, H, K, N, T)*
- [2] ISO 8979, *Pliers and nippers for electronics — Nomenclature*
- [3] ISO 9657, *Pliers and nippers for electronics — General technical requirements*

ICS 25.140.30

Price based on 6 pages