

# INTERNATIONAL STANDARD

# ISO 9655

Second edition  
2004-09-15

---

---

## **Pliers and nippers for electronics — Single-purpose pliers — Pliers for gripping and manipulating**

*Pinces pour l'électronique — Pinces unifonction — Pinces de serrage et  
de manipulation*



Reference number  
ISO 9655:2004(E)

© ISO 2004

**PDF disclaimer**

This PDF file may contain embedded typefaces. In accordance with Adobe's licensing policy, this file may be printed or viewed but shall not be edited unless the typefaces which are embedded are licensed to and installed on the computer performing the editing. In downloading this file, parties accept therein the responsibility of not infringing Adobe's licensing policy. The ISO Central Secretariat accepts no liability in this area.

Adobe is a trademark of Adobe Systems Incorporated.

Details of the software products used to create this PDF file can be found in the General Info relative to the file; the PDF-creation parameters were optimized for printing. Every care has been taken to ensure that the file is suitable for use by ISO member bodies. In the unlikely event that a problem relating to it is found, please inform the Central Secretariat at the address given below.

© ISO 2004

All rights reserved. Unless otherwise specified, no part of this publication may be reproduced or utilized in any form or by any means, electronic or mechanical, including photocopying and microfilm, without permission in writing from either ISO at the address below or ISO's member body in the country of the requester.

ISO copyright office  
Case postale 56 • CH-1211 Geneva 20  
Tel. + 41 22 749 01 11  
Fax + 41 22 749 09 47  
E-mail [copyright@iso.org](mailto:copyright@iso.org)  
Web [www.iso.org](http://www.iso.org)

Published in Switzerland

## Foreword

ISO (the International Organization for Standardization) is a worldwide federation of national standards bodies (ISO member bodies). The work of preparing International Standards is normally carried out through ISO technical committees. Each member body interested in a subject for which a technical committee has been established has the right to be represented on that committee. International organizations, governmental and non-governmental, in liaison with ISO, also take part in the work. ISO collaborates closely with the International Electrotechnical Commission (IEC) on all matters of electrotechnical standardization.

International Standards are drafted in accordance with the rules given in the ISO/IEC Directives, Part 2.

The main task of technical committees is to prepare International Standards. Draft International Standards adopted by the technical committees are circulated to the member bodies for voting. Publication as an International Standard requires approval by at least 75 % of the member bodies casting a vote.

Attention is drawn to the possibility that some of the elements of this document may be the subject of patent rights. ISO shall not be held responsible for identifying any or all such patent rights.

ISO 9655 was prepared by Technical Committee ISO/TC 29, *Small tools*, Subcommittee SC 10, *Assembly tools for screws and nuts, pliers and nippers*.

This second edition cancels and replaces the first edition (ISO 9655:1989) which has been technically revised.



# Pliers and nippers for electronics — Single-purpose pliers — Pliers for gripping and manipulating

## 1 Scope

This International Standard specifies the principal dimensions of single-purpose pliers for electronics for gripping and manipulating.

The test methods for checking their proper functioning are given in ISO 9656. The general technical requirements are given in ISO 9657.

The pliers illustrated in this International Standard are only examples and are not intended to affect the manufacturer's design.

## 2 Normative references

The following referenced documents are indispensable for the application of this document. For dated references, only the edition cited applies. For undated references, the latest edition of the referenced document (including any amendments) applies.

ISO 9656, *Pliers and nippers for electronics — Test methods*

ISO 9657, *Pliers and nippers for electronics — General technical requirements*

### 3 Dimensions

#### 3.1 Round nose pliers

The principal dimensions of round nose pliers are shown in Figure 1 and given in Table 1.

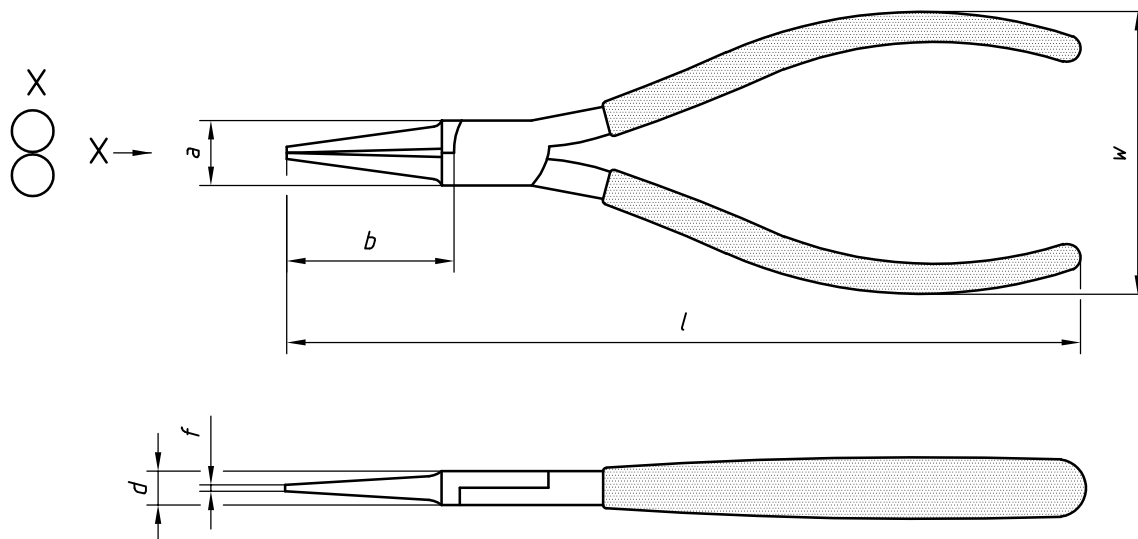


Figure 1 — Round nose pliers

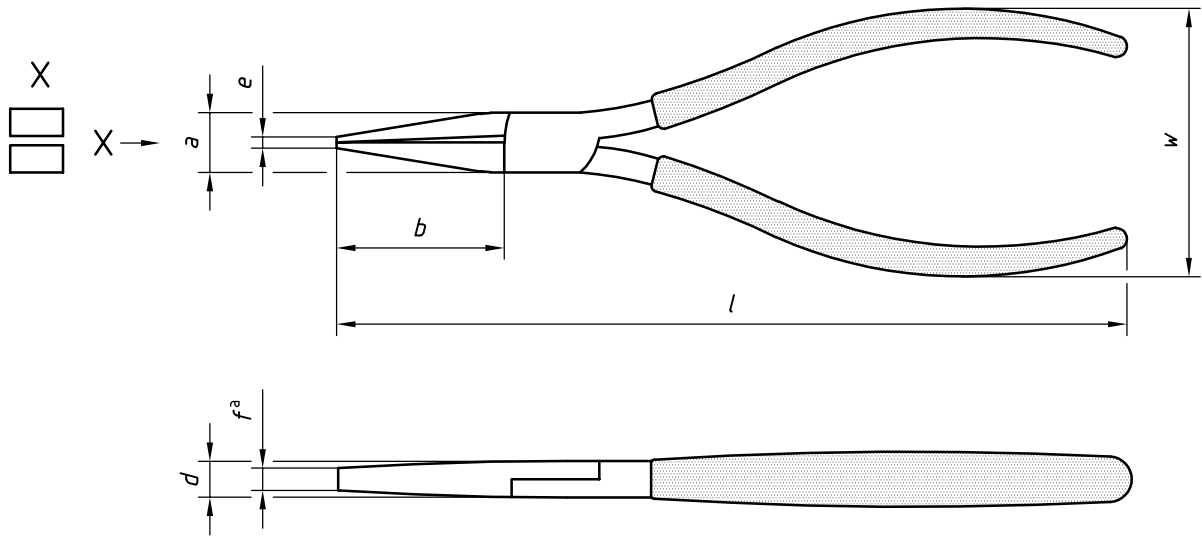
Table 1 — Round nose pliers, principal dimensions

Dimensions in millimetres

Length of jaws	$l$	$a$	$b$	$d$	$f$	$w$
		max.		max.	max.	$\pm 5$
Short jaws	$112 \pm 7$	10	25 max.	6,5	0,8	48
	$125 \pm 8$	13	30 max.	8	1,5	50
Long jaws	$125 \pm 8$	13	30 min.	8	1,5	50
	$140 \pm 9$	14	34 min.	10	2	50

### 3.2 Flat nose pliers

The principal dimensions of flat nose pliers are shown in Figure 2 and given in Table 2.



a  $f \leq d$

Figure 2 — Flat nose pliers

Table 2 — Flat nose pliers, principal dimensions

Dimensions in millimetres

Length of jaws	$l$	$a$	$b$	$d$	$e$	$f$	$w$
		max.		max.	max.	min.	$\pm 5$
Short jaws	$112 \pm 5$	10	25 max.	6,5	1,8	1,8	48
	$125 \pm 7$	13	30 max.	8	2,2	2,2	50
Long jaws	$125 \pm 7$	13	30 min.	8	2,2	2,2	50
	$140 \pm 8$	14	34 min.	10	2,8	2,8	50

### 3.3 Snipe nose pliers

The principal dimensions of snipe nose pliers are shown in Figure 3 and given in Table 3.

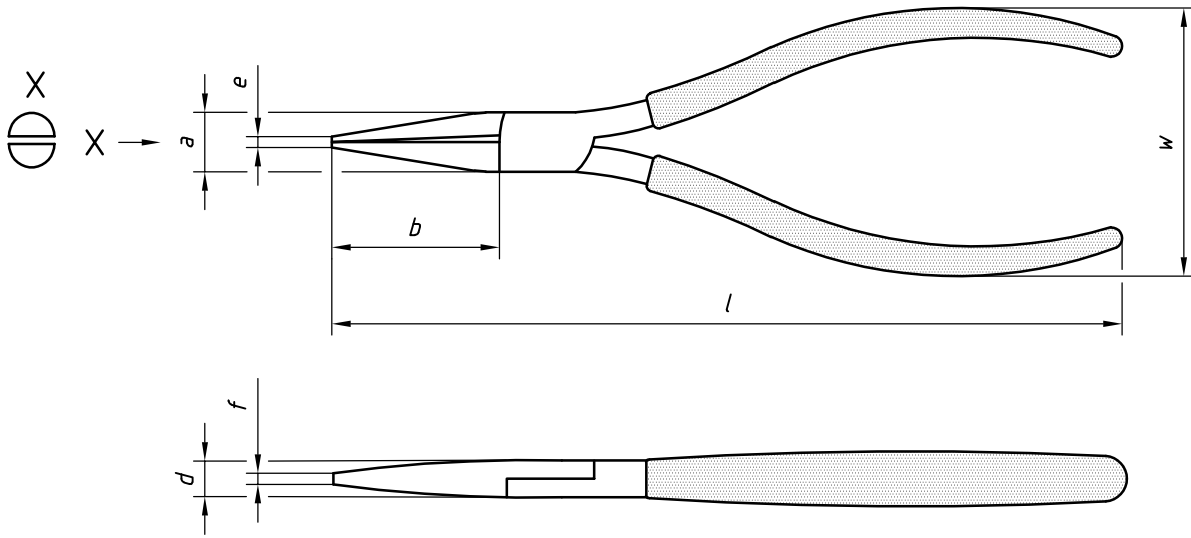


Figure 3 — Snipe nose pliers

Table 3 — Snipe nose pliers, principal dimensions

Dimensions in millimetres

Length of jaws	$l$	$a$ max.	$b$	$d$ max.	$e$ max.	$f$ max.	$w$ $\pm 5$
Short jaws	$112 \pm 5$	10	25 max.	6,5	1,8	1,8	48
	$125 \pm 7$	13	30 max.	8	2,2	2,2	50
Long jaws	$125 \pm 7$	13	30 min.	8	2,2	2,2	50
	$140 \pm 7$	14	34 min.	10	2,8	2,8	50

## 4 Designation

EXAMPLE 1 Round nose pliers, number 143 in accordance with ISO 8979, with a nominal length  $l = 125$  mm and short jaws (S) are designated as follows:

**Round nose pliers 143 - ISO 9655 - 125 - S**

EXAMPLE 2 Flat nose pliers, number 141 in accordance with ISO 8979, with a nominal length  $l = 140$  mm and long jaws (L) are designated as follows:

**Flat nose pliers 141 - ISO 9655 - 140 - L**

EXAMPLE 3 Snipe nose pliers, number 142 in accordance with ISO 8979, with a nominal length  $l = 112$  mm and short jaws (S) are designated as follows:

**Snipe nose pliers 142 - ISO 9655 - 112 - S**

## 5 Marking

Marking shall be in accordance with ISO 9657.



## Bibliography

- [1] ISO 8979, *Pliers and nippers for electronics — Nomenclature*

---

---

**ICS 25.140.30**

Price based on 5 pages