

# INTERNATIONAL STANDARD

# ISO 9448-1

Second edition  
2013-12-15

---

---

## Tools for pressing — Guide bushes — Part 1: Forms

*Outillage de presse — Bagues de guidage —  
Partie 1: Formes*



Reference number  
ISO 9448-1:2013(E)

© ISO 2013

.....



**COPYRIGHT PROTECTED DOCUMENT**

© ISO 2013

All rights reserved. Unless otherwise specified, no part of this publication may be reproduced or utilized otherwise in any form or by any means, electronic or mechanical, including photocopying, or posting on the internet or an intranet, without prior written permission. Permission can be requested from either ISO at the address below or ISO's member body in the country of the requester.

ISO copyright office  
Case postale 56 • CH-1211 Geneva 20  
Tel. + 41 22 749 01 11  
Fax + 41 22 749 09 47  
E-mail [copyright@iso.org](mailto:copyright@iso.org)  
Web [www.iso.org](http://www.iso.org)

Published in Switzerland

# Contents

Page

Foreword .....	iv
<b>1 Scope .....</b>	<b>1</b>
<b>2 Forms and methods of mounting .....</b>	<b>1</b>

## Foreword

ISO (the International Organization for Standardization) is a worldwide federation of national standards bodies (ISO member bodies). The work of preparing International Standards is normally carried out through ISO technical committees. Each member body interested in a subject for which a technical committee has been established has the right to be represented on that committee. International organizations, governmental and non-governmental, in liaison with ISO, also take part in the work. ISO collaborates closely with the International Electrotechnical Commission (IEC) on all matters of electrotechnical standardization.

The procedures used to develop this document and those intended for its further maintenance are described in the ISO/IEC Directives, Part 1. In particular the different approval criteria needed for the different types of ISO documents should be noted. This document was drafted in accordance with the editorial rules of the ISO/IEC Directives, Part 2. [www.iso.org/directives](http://www.iso.org/directives)

Attention is drawn to the possibility that some of the elements of this document may be the subject of patent rights. ISO shall not be held responsible for identifying any or all such patent rights. Details of any patent rights identified during the development of the document will be in the Introduction and/or on the ISO list of patent declarations received. [www.iso.org/patents](http://www.iso.org/patents)

Any trade name used in this document is information given for the convenience of users and does not constitute an endorsement.

For an explanation on the meaning of ISO specific terms and expressions related to conformity assessment, as well as information about ISO's adherence to the WTO principles in the Technical Barriers to Trade (TBT) see the following URL: [Foreword - Supplementary information](#)

The committee responsible for this document is ISO/TC 29, *Small tools*, Subcommittee SC 8, *Tools for pressing and moulding*.

This second edition results from the reinstatement of ISO 9448-1:1991, which was withdrawn in 2006 and with which it is technically identical.

ISO 9448 consists of the following parts, under the general title *Tools for pressing — Guide bushes*:

- Part 1: *Forms*
- Part 2: *Form A, gliding bushes, plain, type 1*
- Part 3: *Form B, ball cage bushes, plain, type 1*
- Part 4: *Form C, gliding bushes, headed, type 1*
- Part 5: *Form D, ball cage bushes, headed, type 1*
- Part 6: *Form E, gliding bushes, flanged, type 1*
- Part 7: *Form F, ball cage bushes, flanged, type 1*
- Part 8: *Form G, gliding bushes, stepped, type 1*
- Part 9: *Form B, ball cage bushes, plain, type 2*
- Part 10: *Form E, gliding bushes, flanged, type 2*
- Part 11: *Form F, ball cage bushes, flanged, type 2*

# Tools for pressing — Guide bushes —

## Part 1: Forms

### 1 Scope

This part of ISO 9448 establishes a classification and an identification of guide bushes for press tools. It covers seven main forms of guide bushes and their methods of mounting.

### 2 Forms and methods of mounting

The guide bushes illustrated in [Figures 1](#) and [2](#) are given as examples only; they shall not affect the manufacturer's design (see [Figures 1](#) and [2](#)). However, the basic dimensions of the inner and outer diameters, as well as the length to be applied to the various forms and types of guide bushes should be in accordance with those given in the other relevant parts of ISO 9448.

The values for dimensions  $D_1$  and  $D_2$  for each form and type of guide bush are given in the appropriate part of ISO 9448.

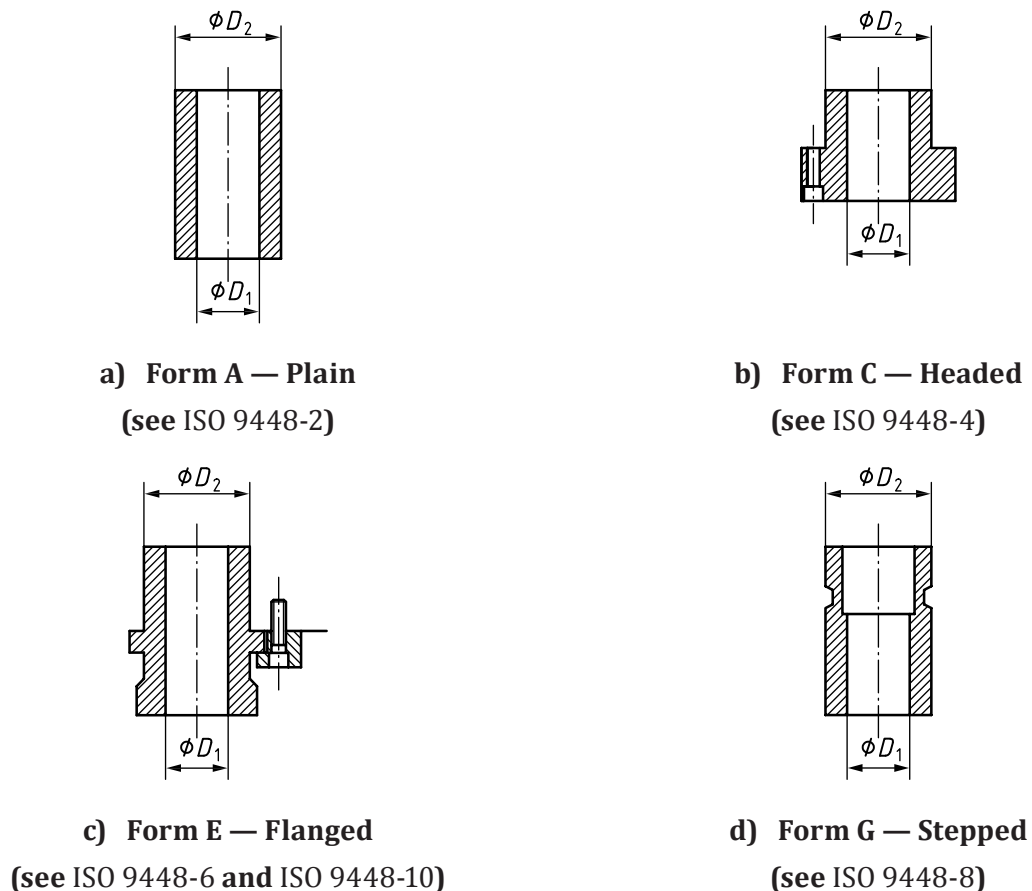
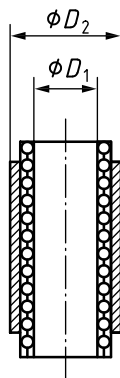
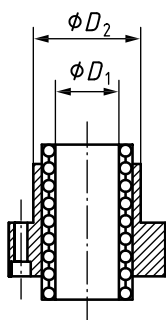


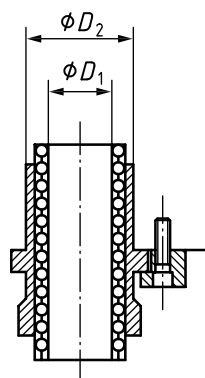
Figure 1 — Gliding bushes



**a) Form B — Plain**  
(see ISO 9448-2 and ISO 9448-9)



**b) Form D — Headed**  
(see ISO 9448-5)



**c) Form F — Flanged**  
(see ISO 9448-7 and  
ISO 9448-11)

**Figure 2 — Ball cage bushes**



