
Tools for pressing — Guide pillars —
Part 4:
Type C, pillars with taper lead and bush

Outillage de presse — Colonnes de guidage —

Partie 4: Type C, colonnes à emmanchement conique et sa bague de guidage





COPYRIGHT PROTECTED DOCUMENT

© ISO 2013

All rights reserved. Unless otherwise specified, no part of this publication may be reproduced or utilized otherwise in any form or by any means, electronic or mechanical, including photocopying, or posting on the internet or an intranet, without prior written permission. Permission can be requested from either ISO at the address below or ISO's member body in the country of the requester.

ISO copyright office
Case postale 56 • CH-1211 Geneva 20
Tel. + 41 22 749 01 11
Fax + 41 22 749 09 47
E-mail copyright@iso.org
Web www.iso.org

Published in Switzerland

Contents

	Page
Foreword	iv
1 Scope	1
2 Normative references	1
3 Dimensions	1
4 Material	3
5 Designation	3
Bibliography	5

.....

Foreword

ISO (the International Organization for Standardization) is a worldwide federation of national standards bodies (ISO member bodies). The work of preparing International Standards is normally carried out through ISO technical committees. Each member body interested in a subject for which a technical committee has been established has the right to be represented on that committee. International organizations, governmental and non-governmental, in liaison with ISO, also take part in the work. ISO collaborates closely with the International Electrotechnical Commission (IEC) on all matters of electrotechnical standardization.

The procedures used to develop this document and those intended for its further maintenance are described in the ISO/IEC Directives, Part 1. In particular the different approval criteria needed for the different types of ISO documents should be noted. This document was drafted in accordance with the editorial rules of the ISO/IEC Directives, Part 2 (see www.iso.org/directives).

Attention is drawn to the possibility that some of the elements of this document may be the subject of patent rights. ISO shall not be held responsible for identifying any or all such patent rights. Details of any patent rights identified during the development of the document will be in the Introduction and/or on the ISO list of patent declarations received (see www.iso.org/patents).

Any trade name used in this document is information given for the convenience of users and does not constitute an endorsement.

For an explanation on the meaning of ISO specific terms and expressions related to conformity assessment, as well as information about ISO's adherence to the WTO principles in the Technical Barriers to Trade (TBT) see the following URL: [Foreword - Supplementary information](#)

The committee responsible for this document is ISO/TC 29, *Small tools*, Subcommittee SC 8, *Tools for pressing and moulding*.

This second edition results from the reinstatement of ISO 9182-4:1992 which was withdrawn in 2007 and with which it is technically identical.

ISO 9182 consists of the following parts, under the general title *Tools for pressing — Guide pillars*:

- *Part 1: Types*
- *Part 2: Type A, straight pillars*
- *Part 3: Type B, end-locking pillars*
- *Part 4: Type C, pillars with taper lead and bush*
- *Part 5: Type D, end-locking pillars with flange*

Tools for pressing — Guide pillars —

Part 4: Type C, pillars with taper lead and bush

1 Scope

This part of ISO 9182 specifies the dimensions and tolerances, in millimetres, of guide pillars, type C, with taper lead and bush, intended for use in press tools.

It gives guidance on the materials and specifies the hardness and the designation of guide pillars which meet the requirements of this part of ISO 9182.

2 Normative references

The following documents, in whole or in part, are normatively referenced in this document and are indispensable for its application. For dated references, only the edition cited applies. For undated references, the latest edition of the referenced document (including any amendments) applies.

ISO 6753-1:2005, *Tools for pressing and moulding — Machined plates — Part 1: Machined plates for press tools*

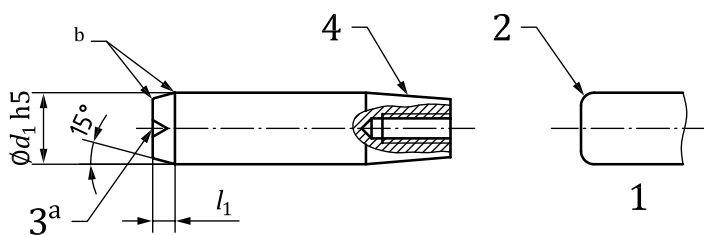
3 Dimensions

The dimensions of guide pillar with taper lead (type C) shall conform to the indications of [Figure 1](#) and [Table 1](#).

The dimensions of the bush for guide pillar with taper lead shall conform to the indications of [Figure 2](#) and [Table 1](#).

The dimensions of the mounting of the bush on the pillar shall conform to the indications of [Figure 3](#) and [Table 1](#).

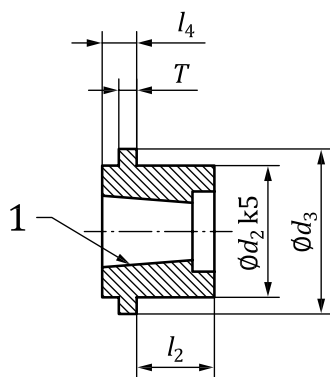
.....



Key

- 1 alternative
- 2 radius
- 3 centres
- 4 taper
- a Optional.
- b Slightly rounded. The values of the radii are left to the manufacturer's discretion.

Figure 1 — Guide pillar with taper lead



Key

- 1 taper

Figure 2 — Bush for guide pillar with taper lead

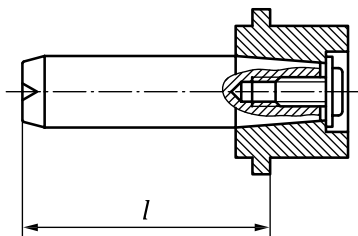


Figure 3 — Mounting of the bush on the pillar

Table 1

d_1		12	16	20	25	32	40	50	63	80	100
d_2		22	28	32	40	48	58	70	85	105	125
d_3		30	36	40	48	56	66	80	95	117	137
l_2 min.		20	25	32	32	40	40	50	63	80	100
l_4		10	10	12	12	15	15	18	18	22	22
l_1 min.		4	4	4	6	6	6	8	8	8	8
$T \pm 0,1$		6,3	6,3	6,3	6,3	6,3	6,3	6,3	6,3	6,3	6,3
$l \begin{smallmatrix} 0 \\ -1 \end{smallmatrix}$	80	×									
	90	×	×								
	100	×	×	×							
	112	×	×	×	×						
	125	×	×	×	×	×					
	140		×	×	×	×	×				
	160		×	×	×	×	×	×			
	180		×	×	×	×	×	×			
	200			×	×	×	×	×	×		
	224				×	×	×	×	×		
	250				×	×	×	×	×	×	
	280					×	×	×	×	×	
	315						×	×	×	×	
	355						×	×	×	×	×
400							×	×	×	×	
450							×	×	×	×	
NOTE 1 ×, standardized dimension.											
NOTE 2 Larger values of l_2 shall be chosen as a function of other dimensions such as plate thickness in accordance with ISO 6753-1.											
NOTE 3 To prevent an incorrect assembly of the upper and lower plates of the die set in relation to each other, the following values of d_1 are recommended: 11, 15, 19, 24, 30, 38, 48, and 60.											

4 Material

The material is left to the manufacturer's discretion and the hardness shall be $(60 \begin{smallmatrix} +2 \\ 0 \end{smallmatrix})$ HRC.

5 Designation

Guide pillars for press tools in accordance with this part of ISO 9182 shall be designated by

- "Guide pillar";
- a reference to this part of ISO 9182, i.e. ISO 9182-4;
- its type;
- its diameter, d_1 , in millimetres;
- the bush length, l_2 , in millimetres;
- the length, l , in millimetres.

ISO 9182-4:2013(E)

EXAMPLE A guide pillar, type C, of diameter $d_1 = 12$ mm with a bush length $l_2 = 20$ mm and a length $l = 80$ mm is designated as follows:

Guide pillar ISO 9182-4 - C - 12 × 20 × 80

© ISO 2013 - All rights reserved

Bibliography

- [1] ISO 6508-1:2005, *Metallic materials — Rockwell hardness test — Part 1: Test method (scales A, B, C, D, E, F, G, H, K, N, T)*
- [2] ISO 9182-1:2013, *Tools for pressing — Guide pillars — Part 1: Types*

