



**INTERNATIONAL STANDARD ISO 9100-3:2005**  
**TECHNICAL CORRIGENDUM 1**

Published 2009-10-15

INTERNATIONAL ORGANIZATION FOR STANDARDIZATION • МЕЖДУНАРОДНАЯ ОРГАНИЗАЦИЯ ПО СТАНДАРТИЗАЦИИ • ORGANISATION INTERNATIONALE DE NORMALISATION

**Glass containers — Vacuum lug finishes —**

**Part 3:**  
**38 regular**

**TECHNICAL CORRIGENDUM 1**

*Récipients en verre — Bagues à crans pour bouchage sous vide —*

*Partie 3: 38 regular*

*RECTIFICATIF TECHNIQUE 1*

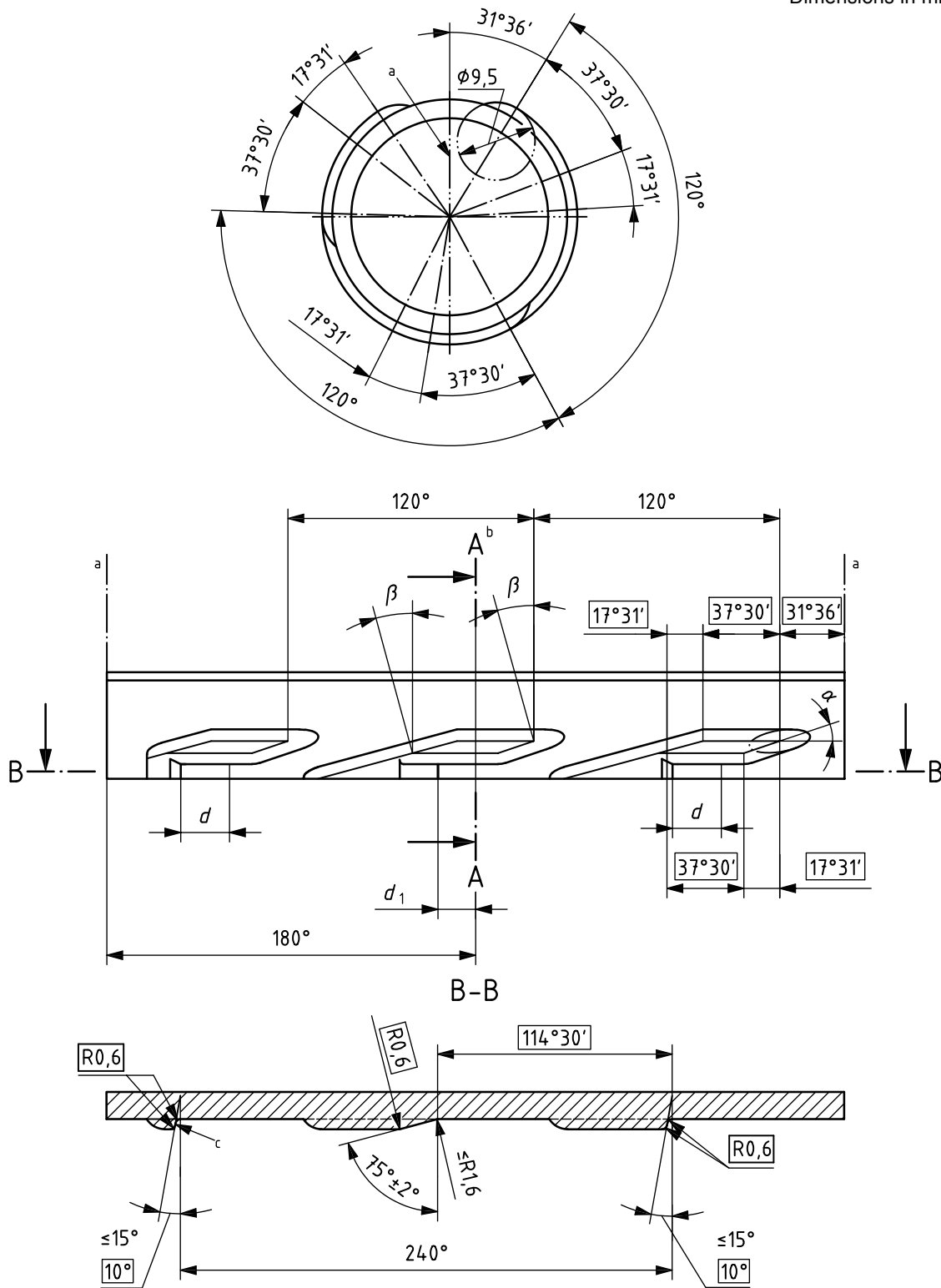
Technical Corrigendum 1 to ISO 9100-3:2005 was prepared by the European Committee for Standardization (CEN) Technical Committee CEN/TC 261, *Packaging*, in collaboration with Technical Committee ISO/TC 63, *Glass containers*, in accordance with the Agreement on technical cooperation between ISO and CEN (Vienna Agreement).

\_\_\_\_\_

*Page 2, Figure 1*

Replace Figure 1 with the following figure. (In the enlarged view section B-B, the arrow for footnote “c” has been moved to the right of the stop face.)

Dimensions in millimetres



a Parting line.

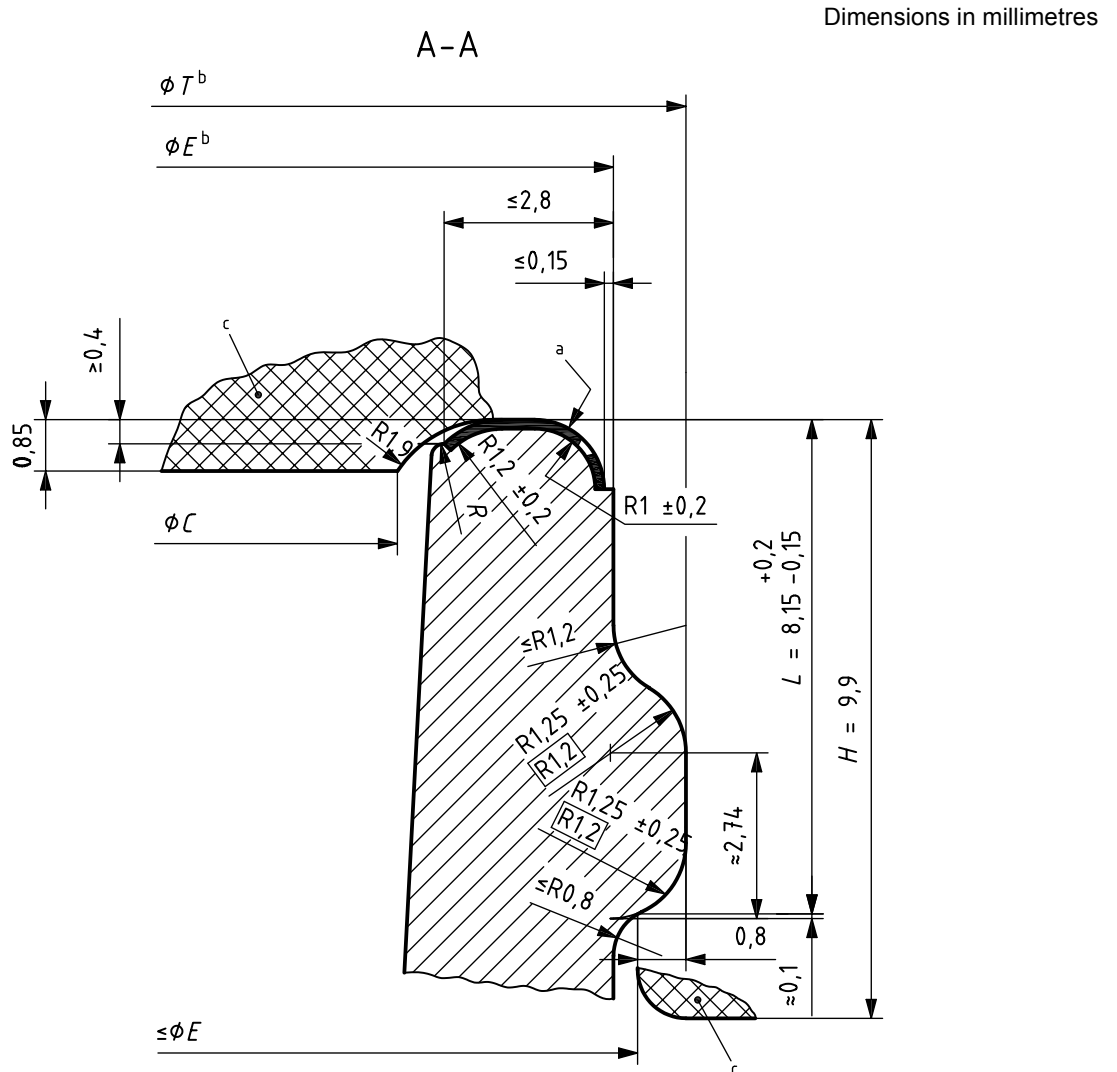
b See Figure 2.

c The stop faces on the leads have a cap stopping function. Thus they shall be sharp-edged and as perpendicular to the E-wall as possible. The radii of the stop faces should be the same as of the mould. A punctual replacement of moulds is necessary to prevent worn contours.

Figure 1 — Thread construction and enlarged view section B-B

Page 3, Figure 2

Replace Figure 2 with the following figure. (The dimension previously marked as 6,8 has been corrected to 0,85.)



- a The sealing surface shall be free of checks, dips, crizzles and other defects which may affect proper functioning.
- b Proper system functioning calls for keeping the ovality in the finish diameters to a minimum.  $E$  and  $T$  diameters should be concentric in relation to one another.
- c Cross-hatched areas of  $C$  diameter and  $H$  height show the closure position. Glass shall clear cap limits shown. The contour below the  $H$  dimension as well as the design of a possible bead are optional. Sufficient free space shall be provided between the bead and the cross-hatched area.

Figure 2 — Enlarged view section A-A