



INTERNATIONAL STANDARD ISO 9100-2:2005
TECHNICAL CORRIGENDUM 1

Published 2009-11-15

INTERNATIONAL ORGANIZATION FOR STANDARDIZATION • МЕЖДУНАРОДНАЯ ОРГАНИЗАЦИЯ ПО СТАНДАРТИЗАЦИИ • ORGANISATION INTERNATIONALE DE NORMALISATION

Glass containers — Vacuum lug finishes —

Part 2:
33 medium

TECHNICAL CORRIGENDUM 1

Récipients en verre — Bagues à crans pour bouchage sous vide —

Partie 2: 33 medium

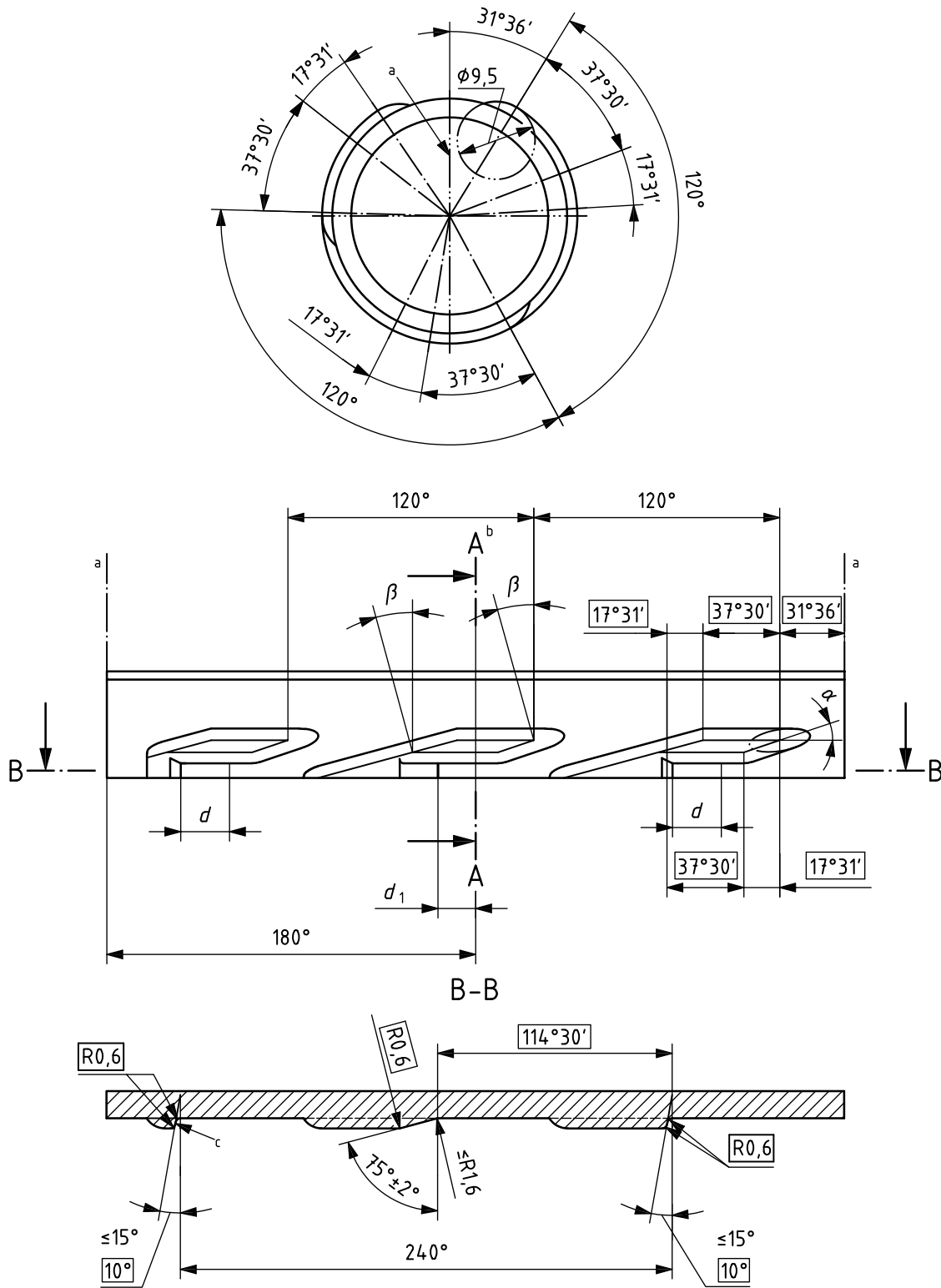
RECTIFICATIF TECHNIQUE 1

Technical Corrigendum 1 to ISO 9100-2:2005 was prepared by the European Committee for Standardization (CEN) Technical Committee CEN/TC 261, *Packaging*, in collaboration with Technical Committee ISO/TC 63, *Glass containers*, in accordance with the Agreement on technical cooperation between ISO and CEN (Vienna Agreement).

Page 2, Figure 1

Replace Figure 1 with the following figure. (In the enlarged view section B-B, the arrow for footnote “c” has been moved to the right of the stop face.)

Dimensions in millimetres



a Parting line.

b See Figure 2.

c The stop faces on the leads have a cap stopping function. Thus they shall be sharp-edged and as perpendicular to the E-wall as possible. The radii of the stop faces should be the same as of the mould. A punctual replacement of moulds is necessary to prevent worn contours.

Figure 1 — Thread construction and enlarged view section B-B