

INTERNATIONAL
STANDARD

ISO
9073-8

First edition
1995-12-15

**Textiles — Test methods for
nonwovens —**

Part 8:

Determination of liquid strike-through time
(simulated urine)

Textiles — Méthodes d'essai pour nontissés —

*Partie 8: Détermination du temps de transpercement des liquides
(urine artificielle)*



Reference number
ISO 9073-8:1995(E)

Foreword

ISO (the International Organization for Standardization) is a worldwide federation of national standards bodies (ISO member bodies). The work of preparing International Standards is normally carried out through ISO technical committees. Each member body interested in a subject for which a technical committee has been established has the right to be represented on that committee. International organizations, governmental and non-governmental, in liaison with ISO, also take part in the work. ISO collaborates closely with the International Electrotechnical Commission (IEC) on all matters of electrotechnical standardization.

Draft International Standards adopted by the technical committees are circulated to the member bodies for voting. Publication as an International Standard requires approval by at least 75 % of the member bodies casting a vote.

International Standard ISO 9073-8 was prepared by Technical Committee ISO/TC 38, *Textiles*.

ISO 9073 consists of the following parts, under the general title *Textiles* — *Test methods for nonwovens*:

- *Part 1: Determination of mass per unit area*
- *Part 2: Determination of thickness*
- *Part 3: Determination of tensile strength and elongation*
- *Part 4: Determination of tear resistance*
- *Part 7: Determination of bending length*
- *Part 8: Determination of liquid strike-through time (simulated urine)*
- *Part 9: Determination of drape coefficient*

© ISO 1995

All rights reserved. Unless otherwise specified, no part of this publication may be reproduced or utilized in any form or by any means, electronic or mechanical, including photocopying and microfilm, without permission in writing from the publisher.

International Organization for Standardization
Case Postale 56 • CH-1211 Genève 20 • Switzerland

Printed in Switzerland

Textiles — Test methods for nonwovens —

Part 8:

Determination of liquid strike-through time (simulated urine)

1 Scope

This part of ISO 9073 specifies a method for measuring the time of liquid (simulated urine) strike-through for nonwoven coverstocks. The method is suitable for making comparisons between different nonwoven coverstocks. It does not simulate in-use conditions for finished products.

NOTE 1 This International Standard describes a test method specific to nonwovens. Other International Standards applicable to textile, paper, plastics, rubber or other materials can also be applied to test certain nonwoven characteristics.

2 Normative references

The following standards contain provisions which, through reference in this text, constitute provisions of this part of ISO 9073. At the time of publication, the editions indicated were valid. All standards are subject to revision, and parties to agreements based on this part of ISO 9073 are encouraged to investigate the possibility of applying the most recent editions of the standards indicated below. Members of IEC and ISO maintain registers of currently valid International Standards.

ISO 139:1973, *Textiles — Standard atmospheres for conditioning and testing*.

ISO 186:1994, *Paper and board — Sampling to determine average quality*.

ISO 3696:1987, *Water for analytical laboratory use — Specification and test methods*.

3 Definition

For the purposes of this part of ISO 9073, the following definition applies.

3.1 strike-through time: Time taken for a known volume of liquid, applied to the surface of a piece of nonwoven coverstock with an absorbent pad underneath, to pass through the nonwoven coverstock.

4 Principle

A specified quantity of simulated urine is discharged at a specified rate under specified conditions onto a test piece of nonwoven which is placed on a reference absorbent pad. The time taken for all the liquid to penetrate the nonwoven is measured electronically.

5 Material and reagents

5.1 Reference absorbent pad, consisting of five layers of reference filter paper (100 mm × 100 mm) with the smooth sides uppermost, and having a mean strike-through time in 10 determinations without the nonwoven of $(3 \pm 0,5)$ s.

NOTE 2 Information concerning suitable filter paper may be obtained from:

INDA, 1001 Winstead Drive, Suite 460, Cary, NC 27513, USA;

EDANA, 157 av. Eugène Plasky, B-1040 Brussels.

5.2 Simulated urine, consisting of a 9 g/l solution of sodium chloride in grade 3 water conforming to ISO 3696, with a surface tension of (70 ± 2) mN/m.

NOTES

3 Surface tension should be checked before each series of tests, as surface tension can alter during storage.

4 The surface tension of adult human urine is published as 69 mN/m to 70 mN/m. There is a suggestion that some babies' urine could have a lower surface tension (e.g. 45 mN/m). The surface tension of the simulated urine used may be adjusted by the addition of a surfactant. Such addition should be reported as a deviation from standard procedure and the surface tension should be stated in the test report.

6 Apparatus

6.1 Burette, of 50 ml capacity, with a supporting stand.

6.2 Funnel, fitted with a magnetic valve, giving a rate of discharge of 25 ml in $(3,5 \pm 0,25)$ s.

6.3 Ring stand, to support the funnel.

6.4 Strike-through plate (see figures 1 and 2), constructed of transparent acrylic sheet, of total mass 500 g, fitted with corrosion-resistant electrodes consisting of 1,6 mm diameter platinum or stainless steel wire set in grooves of cross-section 4,0 mm \times 7,0 mm cut in the base of the plate and fixed in place with quick-setting epoxy resin.

The electrodes shall be positioned as shown in figure 2.

6.5 Baseplate, of transparent acrylic sheet, approximately 125 mm \times 125 mm square and 5 mm thick.

6.6 Electronic timer, which can be read to the nearest 0,01 s.

NOTE 5 The sensitivity of the timing mechanism is such that different apparatus could give results slightly lower or higher than the specification for the standard absorbent pad alone. Users of the method are therefore advised to validate their equipment against results provided by the producer of the filter paper.

7 Sampling

Carry out sampling in accordance with ISO 186, ensuring that the areas from which the samples are taken have no visible flaws and are not creased.

8 Preparation and conditioning of test pieces

8.1 Cut 10 test pieces measuring 125 mm \times 125 mm.

8.2 Condition the test pieces and filter papers in one of the atmospheres specified in ISO 139.

9 Procedure

9.1 Set up the ring stand (6.3) holding the funnel (6.2) and position the burette (6.1) with the tip inside the funnel.

9.2 Place one nonwoven test piece on top of one set of five reference filter papers (5.1) on the baseplate (6.5). Place the nonwoven on the filter paper in such a way that the side of the nonwoven which is intended to be in contact with the user's skin is uppermost.

Ensure that the electrodes in the strike-through plate are clean.

Place the strike-through plate (6.4) on top of the nonwoven, with the centre of the plate over the centre of the test piece. Centre the burette and the funnel over the plate.

9.3 Adjust the height of the funnel so that it is $(5 \pm 0,5)$ mm above the top of the cavity in the plate (i.e. 30 mm above the test piece).

9.4 Ensure the electrodes are connected to the timer (6.6). Activate the timer and set the clock to zero.

9.5 Fill the burette with simulated urine (5.2). Keep the discharge valve of the funnel closed and run 5,0 ml of liquid from the burette into the funnel.

Dimensions in millimetres

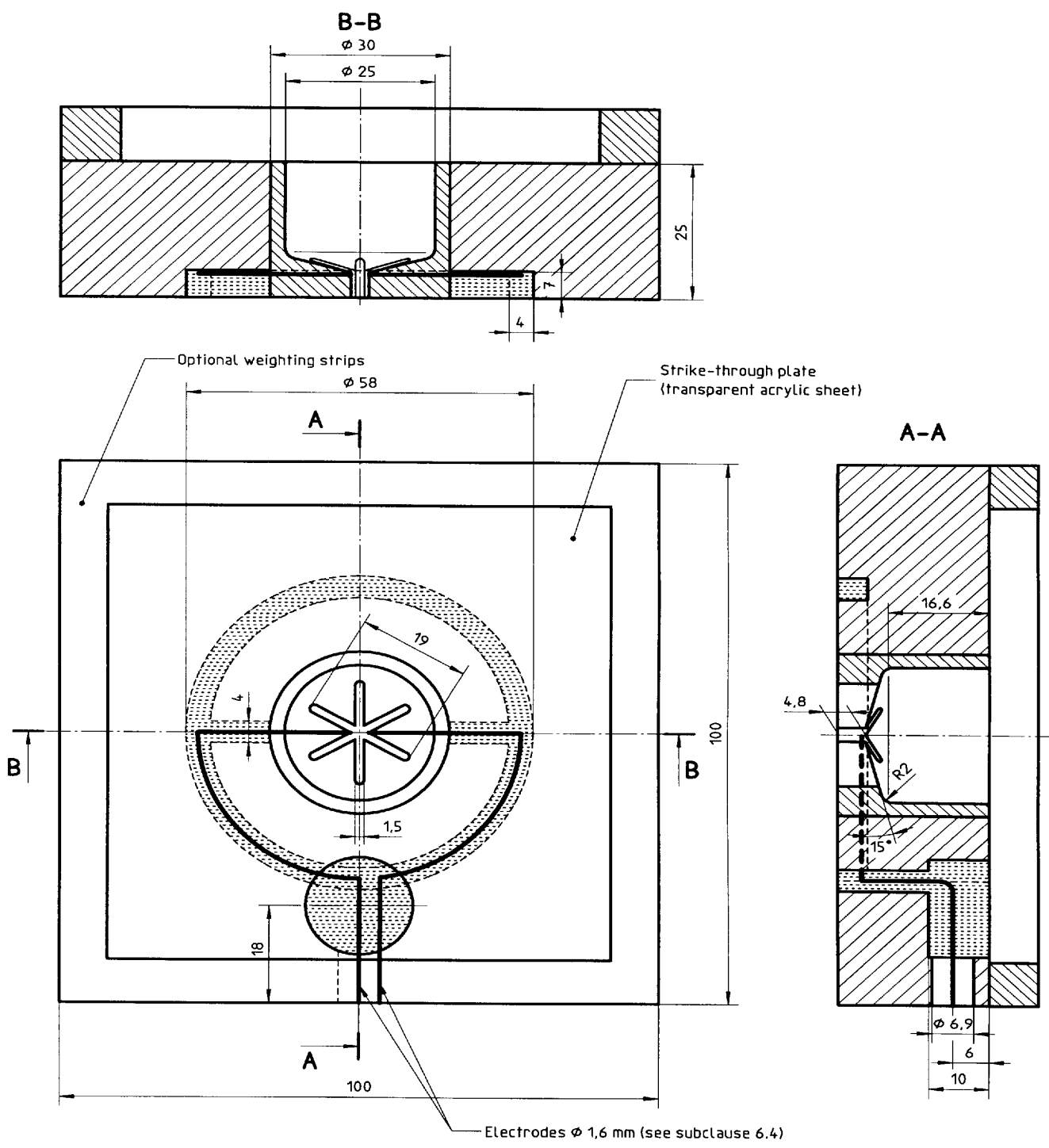


Figure 1 — Strike-through plate

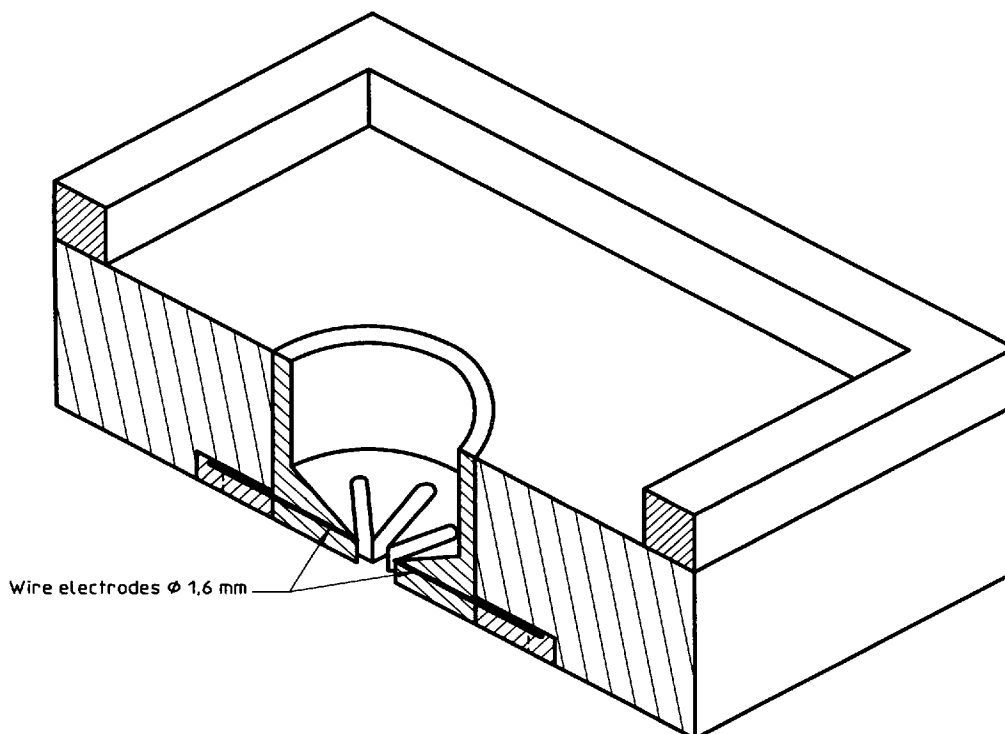


Figure 2 — Section across strike-through plate on centreline of 25 mm diameter cavity

9.6 Open the magnetic discharge valve of the funnel to discharge 5,0 ml of liquid. The initial flow of liquid will complete the electrical circuit and start the timer. It will stop when all the liquid has penetrated into the nonwoven and fallen below the level of the electrodes in the strike-through plate.

9.7 Record the time indicated on the electronic timer.

9.8 Repeat for the required number of test pieces.

NOTE 6 A minimum of 10 tests on test pieces from each sample is recommended.

10 Expression of results

For each sample, calculate the mean strike-through time, in seconds, and the coefficient of variation.

11 Test report

The test report shall include the following information:

- a) a reference to this part of ISO 9073;
- b) all details necessary for complete identification of the nonwoven material;
- c) the conditioning atmosphere used;
- d) if required, surfactant added and surface tension of simulated urine;
- e) the individual strike-through times of the tests, in seconds;
- f) the mean strike-through time, in seconds;
- g) the coefficient of variation;
- h) any unusual features noted during the testing, or deviations from the procedure specified in this part of ISO 9073.

ICS 59.080.30

Descriptors: textiles, fabrics, non-woven fabrics, tests, water absorption tests, determination, capacity.

Price based on 4 pages
