
**Thermal cutting — Classification of
thermal cuts — Geometrical product
specification and quality tolerances**

*Coupage thermique — Classification des coupes thermiques —
Spécification géométrique des produits et tolérances relatives à la
qualité*





COPYRIGHT PROTECTED DOCUMENT

© ISO 2017, Published in Switzerland

All rights reserved. Unless otherwise specified, no part of this publication may be reproduced or utilized otherwise in any form or by any means, electronic or mechanical, including photocopying, or posting on the internet or an intranet, without prior written permission. Permission can be requested from either ISO at the address below or ISO's member body in the country of the requester.

ISO copyright office
Ch. de Blandonnet 8 • CP 401
CH-1214 Vernier, Geneva, Switzerland
Tel. +41 22 749 01 11
Fax +41 22 749 09 47
copyright@iso.org
www.iso.org

Contents

Page

Foreword	iv
1 Scope	1
2 Normative references	1
3 Terms and definitions	1
3.1 General.....	1
3.2 Terms and definitions explained by figures.....	2
3.2.1 Terms related to the cutting process.....	2
3.2.2 Terms on the cut work piece.....	3
3.2.3 Cut types.....	4
4 Symbols	8
5 Form and location tolerances	9
6 Determination of the quality of cut surfaces	9
6.1 General.....	9
6.2 Measuring.....	10
6.2.1 Measuring conditions.....	10
6.2.2 Measuring point.....	10
6.2.3 Procedure.....	11
7 Quality of the cut surface	12
7.1 Characteristic values.....	12
7.2 Measuring ranges.....	12
7.2.1 General.....	12
7.2.2 Perpendicularity or angularity tolerance, u	12
7.2.3 Mean height of the profile, $Rz5$	13
8 Dimensional tolerances	15
8.1 General.....	15
8.2 Dimensional tolerances on parts without finishing.....	18
8.3 Dimensional tolerances on parts with finishing.....	18
8.3.1 General.....	18
8.3.2 Machining allowance.....	19
9 Designation	19
10 Information in technical documentation	20
10.1 Indications of size.....	20
10.2 Indication of quality of cut surface and of tolerance class.....	20
10.2.1 On technical drawings.....	20
10.2.2 Title block of technical documentation.....	20
Annex A (informative) Achievable cut qualities for different cutting processes	21
Annex B (informative) Thermal cutting — Process principles	26
Bibliography	28

Foreword

ISO (the International Organization for Standardization) is a worldwide federation of national standards bodies (ISO member bodies). The work of preparing International Standards is normally carried out through ISO technical committees. Each member body interested in a subject for which a technical committee has been established has the right to be represented on that committee. International organizations, governmental and non-governmental, in liaison with ISO, also take part in the work. ISO collaborates closely with the International Electrotechnical Commission (IEC) on all matters of electrotechnical standardization.

The procedures used to develop this document and those intended for its further maintenance are described in the ISO/IEC Directives, Part 1. In particular the different approval criteria needed for the different types of ISO documents should be noted. This document was drafted in accordance with the editorial rules of the ISO/IEC Directives, Part 2 (see www.iso.org/directives).

Attention is drawn to the possibility that some of the elements of this document may be the subject of patent rights. ISO shall not be held responsible for identifying any or all such patent rights. Details of any patent rights identified during the development of the document will be in the Introduction and/or on the ISO list of patent declarations received (see www.iso.org/patents).

Any trade name used in this document is information given for the convenience of users and does not constitute an endorsement.

For an explanation on the meaning of ISO specific terms and expressions related to conformity assessment, as well as information about ISO's adherence to the World Trade Organization (WTO) principles in the Technical Barriers to Trade (TBT) see the following URL: www.iso.org/iso/foreword.html.

The committee responsible for this document is ISO/TC 44, *Welding and allied processes*, Subcommittee SC 8, *Equipment for gas welding, cutting and allied processes*.

This third edition cancels and replaces the second edition (ISO 9013:2002), which has been technically revised.

Requests for official interpretations of any aspect of this document should be directed to the Secretariat of ISO/TC 44/SC 8 via your national standards body. A complete listing of these bodies can be found at www.iso.org.

Thermal cutting — Classification of thermal cuts — Geometrical product specification and quality tolerances

1 Scope

This document presents geometrical product specifications and quality tolerances for the classification of thermal cuts in materials suitable for oxyfuel flame cutting, plasma cutting and laser cutting. It is applicable to flame cuts from 3 mm to 300 mm, plasma cuts from 0,5 mm to 150 mm and laser cuts from 0,5 mm to 32 mm.

The geometrical product specifications are applicable if reference to this document is made in drawings or pertinent documents, e.g. delivery conditions. If this document were also to apply, by way of exception, to parts produced by other cutting processes, this would have to be agreed upon separately.

Flatness defects are not addressed as such in this document. The references are to the current standards for the materials used.

2 Normative references

The following documents are referred to in the text in such a way that some or all of their content constitutes requirements of this document. For dated references, only the edition cited applies. For undated references, the latest edition of the referenced document (including any amendments) applies.

ISO 1302:2002, *Geometrical Product Specifications (GPS) — Indication of surface texture in technical product documentation*

ISO 3274, *Geometrical Product Specifications (GPS) — Surface texture: Profile method — Nominal characteristics of contact (stylus) instruments*

ISO 4288, *Geometrical Product Specifications (GPS) — Surface texture: Profile method — Rules and procedures for the assessment of surface texture*

ISO 8015, *Geometrical product specifications (GPS) — Fundamentals — Concepts, principles and rules*

3 Terms and definitions

For the purposes of this document, the following terms and definitions apply.

ISO and IEC maintain terminological databases for use in standardization at the following addresses:

— IEC Electropedia: available at <http://www.electropedia.org/>

— ISO Online browsing platform: available at <http://www.iso.org/obp>

3.1 General

3.1.1 cutting

operation of cutting the work piece

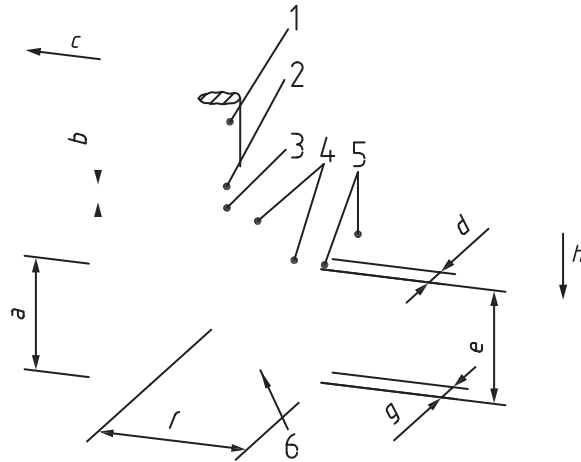
3.1.2 cut

result of the cutting operation

3.2 Terms and definitions explained by figures

NOTE [Figure 1](#) indicates the terms related to the cutting process of the work piece after the cutting process has started, [Figure 2](#) indicates the terms for the finished work piece, [Figure 3](#) shows a straight cut and [Figure 4](#), a contour cut.

3.2.1 Terms related to the cutting process

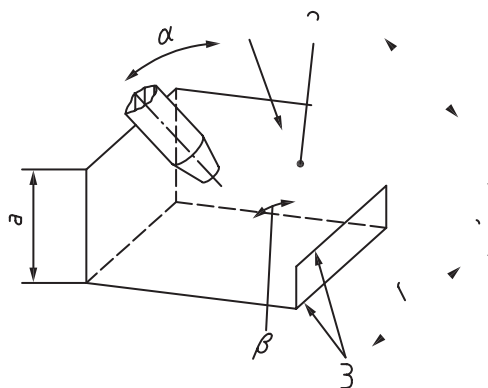


Key

- | | |
|----------------------|-------------------------------|
| 1 torch/cutting head | <i>a</i> work piece thickness |
| 2 nozzle | <i>b</i> nozzle distance |
| 3 beam/flame/arc | <i>c</i> advance direction |
| 4 kerf | <i>d</i> top kerf width |
| 5 start of cut | <i>e</i> cut thickness |
| 6 end of cut | <i>f</i> length of cut |
| | <i>g</i> bottom kerf width |
| | <i>h</i> cutting direction |

Figure 1 — Terms related to the cutting process of the work piece

3.2.2 Terms on the cut work piece

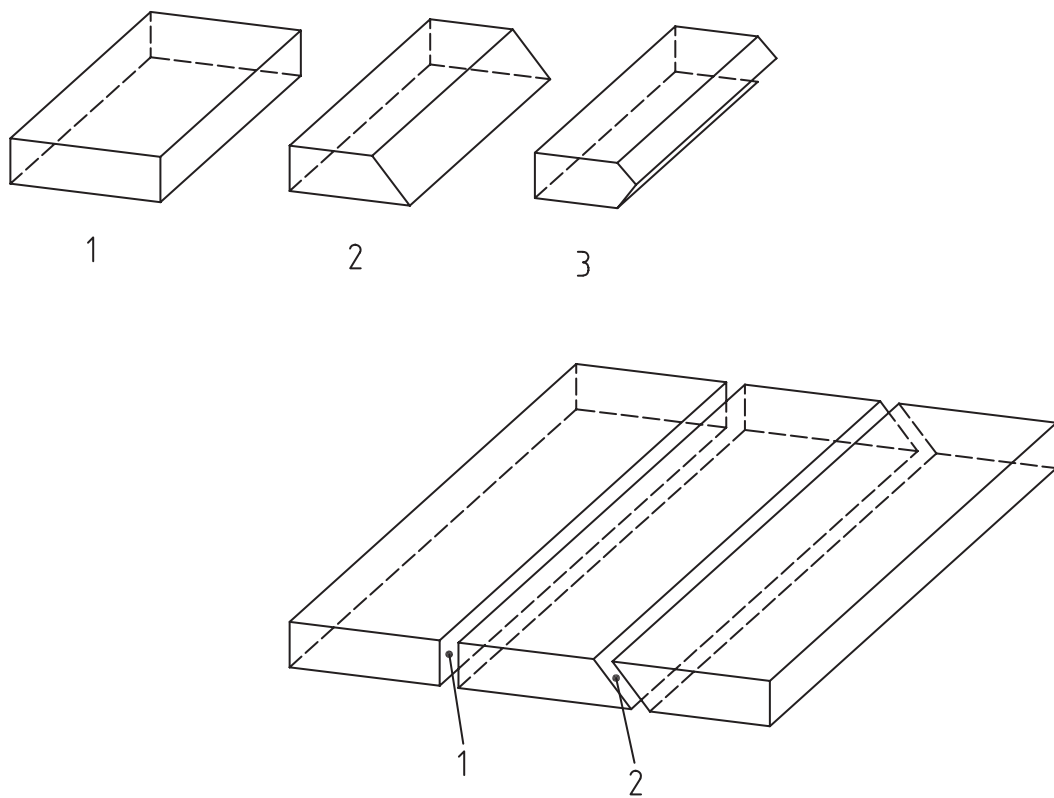


Key

- 1 upper edge of cut
- 2 cut surface
- 3 lower edge of cut
- a* work piece thickness
- i* cut thickness
- j* depth of root face
- f* length of cut
- α torch set angle
- β cut angle

Figure 2 — Terms on the finished work piece

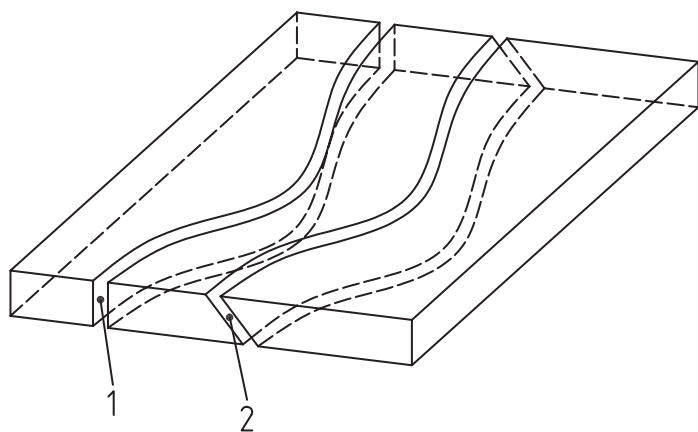
3.2.3 Cut types



Key

- 1 vertical cut
- 2 bevel cut
- 3 bevel cut (double)

Figure 3 — Straight cut



Key

- 1 vertical cut
- 2 bevel cut

Figure 4 — Contour cut

3.3 cutting speed

length of cut completed per unit time

3.4 kerf width

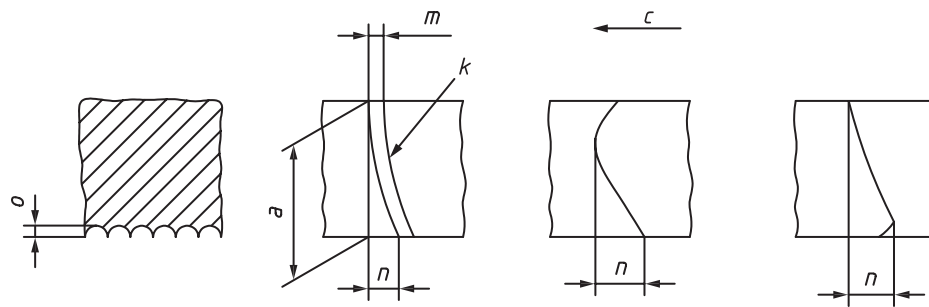
width of the cut produced during a cutting process at the upper edge of cut or with existing melting of top edge immediately below, as caused by the cutting jet

3.5 drag

n

projected distance between the two edges of a drag line in the direction of cutting

Note 1 to entry: See [Figure 5](#).



Key

- a work piece thickness (reference line)
- c advance direction
- k drag line
- m pitch of drag line
- n drag
- o groove depth

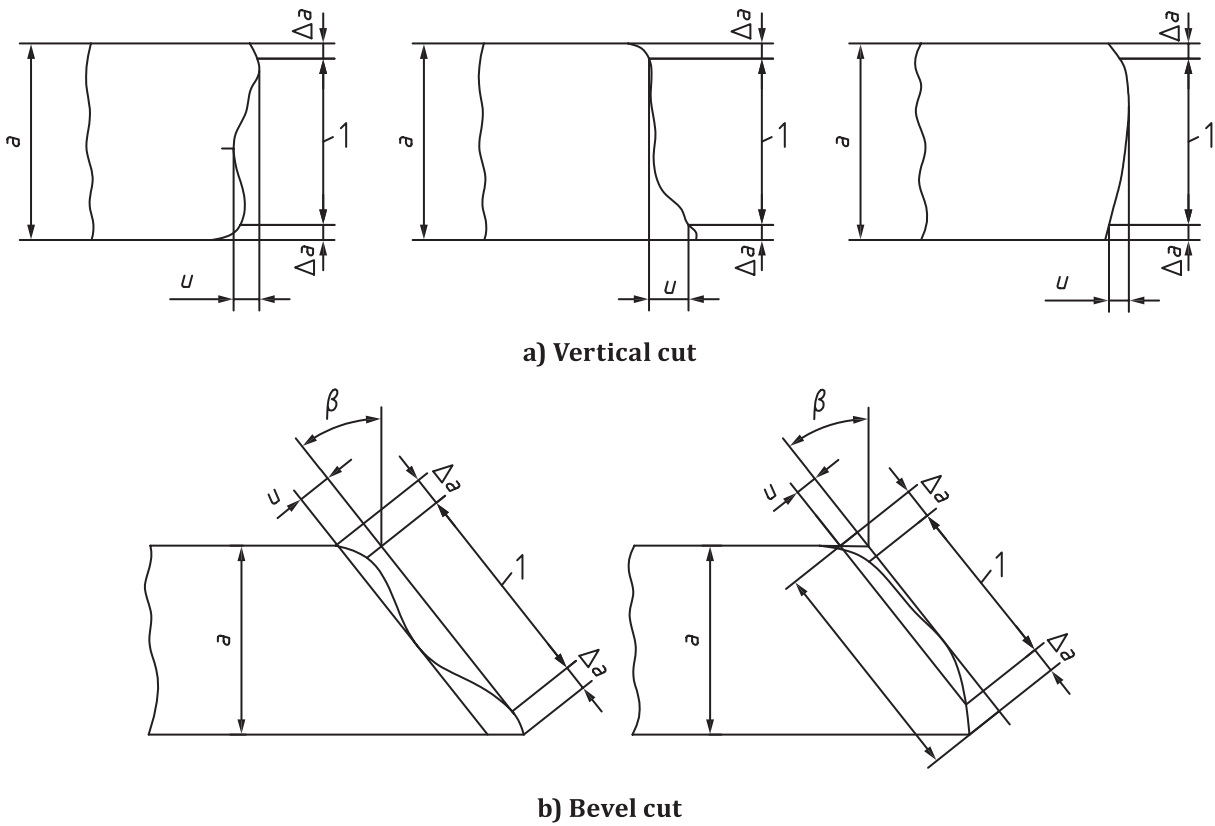
Figure 5 — Drag line

3.6 perpendicularity or angularity tolerance

u

distance between two parallel straight lines (tangents) between which the cut surface profile is inscribed and within the set angle (e.g. 90° in the case of vertical cuts)

Note 1 to entry: The perpendicularity or angularity tolerance includes not only the perpendicularity but also the flatness deviations. [Figure 6](#) illustrates the areas in the cut surface to take into consideration to measure the perpendicularity or inclination tolerance, u , depending on the cutting process used.



a) Vertical cut

b) Bevel cut

Key

- 1 distance to calculate the area to determine the perpendicularity or angularity tolerance
- a* work piece thickness
- Δa thickness reduction
- i* cut thickness
- u* perpendicularity or angularity tolerance
- β cut angle

NOTE The area to determine the perpendicularity or angularity tolerance is determined by multiplying the distance 1 with the length of cut (see [Figure 2](#)).

Figure 6 — Perpendicularity or angularity tolerances

3.7 profile element height

Z_t
sum of the height of the peak and depth of the valley of a profile element

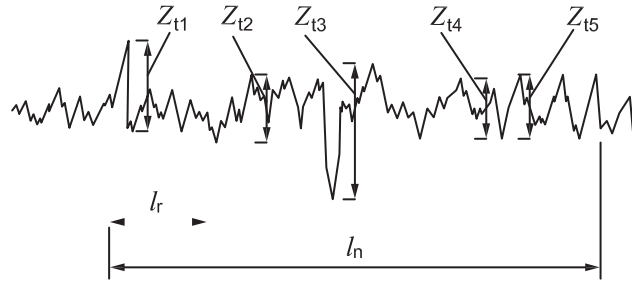
[SOURCE: ISO 4287:2009, 3.2.12]

3.8 mean height of the profile

Rz5
arithmetic mean of the single profile elements of five bordering single measured distances

Note 1 to entry: See [Figure 7](#).

Note 2 to entry: The index 5 in *Rz5* was added to distinguish the arithmetic mean and the maximum height of profile of the five single profile elements.



Key

- Z_{t1} to Z_{t5} single profile elements
- l_n evaluation length
- l_r single sampling length (1/5 of l_n)

Figure 7 — Mean height of the profile

3.9 melting of top edge

r
measure characterizing the form of the upper edge of cut

Note 1 to entry: The latter may be a sharp edge, a molten edge or cut edge overhang.

Note 2 to entry: See [Figure 8](#).

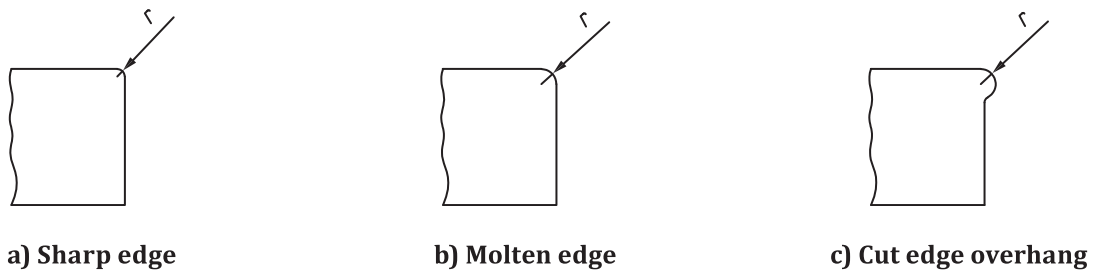


Figure 8 — Melting

**3.10 burr
dross**

metal residue sticking to the lower part of the cut

Note 1 to entry: During the thermal cutting process, creation of minor flash that sticks to the cut work piece associated with oxides or molten steel projections that drip and solidify on the lower edge of the work piece (see [Figure 9](#)).

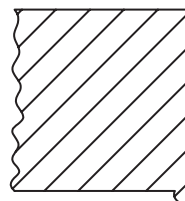


Figure 9 — Burr/dross

**3.11
gouging**

scourings or kerves of irregular width, depth and shape, preferably in the cutting direction, which interrupt an otherwise uniform cut surface

Note 1 to entry: See [Figure 10](#).



Key

- h* cutting direction
- c* advance direction

Figure 10 — Gouging

**3.12
start of cut**

point of the work piece at which the cut begins

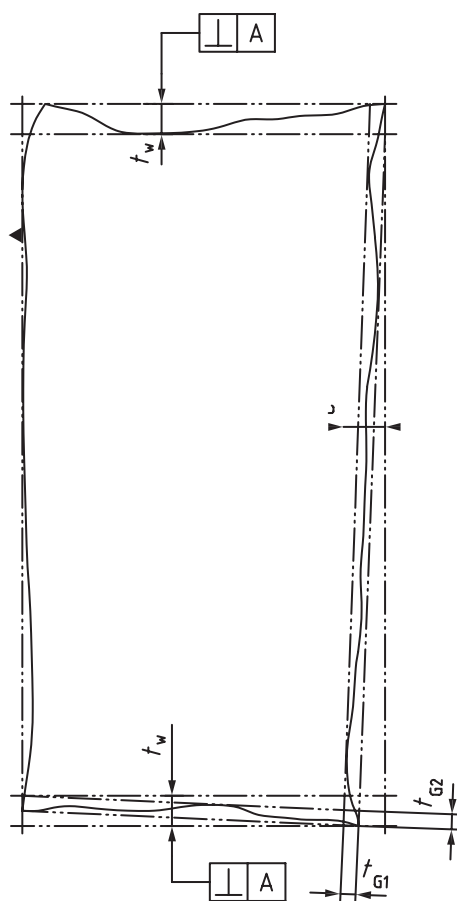
4 Symbols

Symbol	Term
<i>a</i>	work piece thickness
Δa	thickness reduction
<i>A</i>	assembly dimension
α	torch set angle
<i>b</i>	nozzle distance
<i>B</i>	programmed dimension of the cut part
β	cut angle
B_z	machining allowance
<i>c</i>	advance direction
<i>d</i>	top kerf width
<i>e</i>	cut thickness
<i>f</i>	length of cut
<i>g</i>	bottom kerf width
G_o	upper limit deviation
G_u	lower limit deviation
<i>h</i>	cutting direction
<i>i</i>	cut thickness
<i>j</i>	depth of root face
<i>k</i>	drag line
<i>ln</i>	evaluation length
<i>lr</i>	single sampling length
<i>m</i>	pitch of drag line
<i>n</i>	drag
<i>o</i>	groove depth
<i>r</i>	melting of top edge

Symbol	Term
$Rz5$	mean height of the profile
t_G	straightness tolerance
t_P	parallelism tolerance
t_W	perpendicularity tolerance
u	perpendicularity or angularity tolerance
Zt	profile element height

5 Form and location tolerances

Figure 11 shows the maximum deviations within the tolerance zone.



Key

- t_W perpendicularity tolerance (see ISO 1101) for cut width referred to A
- t_P parallelism tolerance (see ISO 1101) for cut width referred to A on sheet level
- t_{G1} straightness tolerance (see ISO 1101) for cut length
- t_{G2} straightness tolerance (see ISO 1101) for cut width

Figure 11 — Form and location tolerances shown by the example of a sheet plate

6 Determination of the quality of cut surfaces

6.1 General

See [Tables 1](#) and [2](#).

Table 1 — Precision measuring instruments

Symbol	Error limits	Precision measuring instruments
		Examples
<i>u</i>	0,02 mm	Guide device in the direction of the cut thickness and of the nominal angle with dial gauge Contact stylus point angle $\leq 90^\circ$ Contact stylus point radius $\leq 0,1$ mm
<i>Rz5</i>	0,002 mm	Precision measuring instrument, e.g. electric contact stylus instrument for continuous scanning in advance direction
<i>n</i>	0,05 mm	Measuring microscope with crosswires (crosshair) and cross-slide of sufficient adjustability
<i>r</i>	0,05 mm	Special device for scanning the profile of the cut upper edge by a dial gauge
Straightness	0,2 mm	Piano wire with max. 0,5 mm diameter, feeler gauge

Table 2 — Coarse measuring instruments

Symbol	Error limits	Coarse measuring instruments
		Examples
<i>u</i>	0,1 mm	Tri-square (workshop square with a degree of precision 1 or 2), for bevel cuts, bevel gauge or set square set to the nominal angle of bevel of cut or set angle, for this purpose depth gauge with sensing point, measuring wire, feeler gauge
<i>Rz5</i>	—	—
<i>n</i>	0,2 mm	Tri-square (workshop square) for bevel cuts, sliding square or set square, for this purpose calliper gauge with nonius or graduated ruler with nonius. Bevel gauge with conversion table from the drag angle to the drag length
<i>r</i>	0,1 mm	Convex gauge (radius gauge)
Straightness	0,2 mm	Piano wire with max. 0,5 mm diameter, feeler gauge

The measurement conditions, measurement points and methods for determining and evaluating the characteristics of cut surfaces shall conform to [6.2](#).

6.2 Measuring

6.2.1 Measuring conditions

Measurements shall be carried out on brushed, free-from-oxides cuts outside areas including imperfections.

As reference element, the upper and lower sides of the thermally cut work piece are taken. They shall be even and clean.

Straightness is defined as the minimum distance between the measurement line and the actual surface (see ISO 1101).

6.2.2 Measuring point

6.2.2.1 General

The number and location of the measuring points depend on the shape and size of the work piece and sometimes also on the intended use.

The cut surfaces are classified in the tolerance fields according to the maximum measured values. Therefore, the measuring points shall be located where the maximum measured values are to be expected. When choosing the measuring points, due consideration shall be given to the fact that the

maximum values of the mean height of the profile and of the perpendicularity or angularity tolerance may be found at different points of the cut. If measured values are located at the lower limit of a tolerance field, additional measurements should be carried out due to the uncertainty of the visual selection of the point with the expected maximum measured value. If measured values are located at the upper limit of the tolerance field or if there are any doubts regarding some measuring results, supplementary measurements shall be carried out on the same number of additional measuring points.

6.2.2.2 Number of the measuring points

The number and location of the measuring points shall be defined by the manufacturer.

If no requirement is specified, carry out:

u two times three measurements at a distance of 20 mm each on each meter of the cut;

Rz5 one time one measurement on each meter of the cut.

6.2.2.3 Location of the measuring points

The characteristic value of perpendicularity or angularity tolerance, *u*, only will be determined in a limited area of the cut surface. The area shall be reduced by the dimension Δa according to [Table 3](#) from the upper and the lower cut surface edges (see [Figure 6](#)).

NOTE The reason for the reduced cut face profile is to allow for the melting of the top edge.

Table 3 — Dimensions for Δa

Cut thickness, <i>a</i> mm	Δa mm
≤ 3	0,1 <i>a</i>
$>3 \leq 6$	0,3
$>6 \leq 10$	0,6
$>10 \leq 20$	1
$>20 \leq 40$	1,5
$>40 \leq 100$	2
$>100 \leq 150$	3
$>150 \leq 200$	5
$>200 \leq 250$	8
$>250 \leq 300$	10

The characteristic value of the mean height of the profile, *Rz5*, shall be determined within a limited area of the cut surface and the mean height of the profile, *Rz5*, shall be measured at 15 mm from the start of the cut in the advance direction. The measurement shall be carried out at the point of the maximum surface roughness of the cut surface, according to ISO 4288, using a device as described in ISO 3274.

6.2.3 Procedure

The characteristic values for the cut surfaces will be determined, according to the type of measurement, by means of the corresponding instruments listed in [Tables 1](#) and [2](#).

The mean height of the profile, *Rz5*, shall be measured at 15 mm from the cut length in the advance direction. The measurement will take place in accordance with ISO 4288 using a tester as described in ISO 3274.

If a measuring wire or sensor for coarse measurement of the perpendicularity or angularity tolerance cannot be introduced in the gap between shifting square and cut surface, a depth gauge with sensing

point shall be used. In the case of molten edges with unfinished projection, the latter will be considered in the perpendicularity or angularity tolerance.

For cut thicknesses below 2 mm, the measuring procedure to determine the perpendicularity or angularity tolerance specifically has to be agreed upon.

For cut thicknesses below 2 mm, the measurement of *Rz5* is carried out at a distance of 1/2 of the cut thickness from the upper cut edge.

With regard to all thermal cutting processes, the piercing area and/or the start section of a cut will be excluded from the measurements. The same applies to the end of the cut.

7 Quality of the cut surface

7.1 Characteristic values

The quality of the cut surfaces of thermally cut materials is described by the following characteristic values:

- a) perpendicularity or angularity tolerance, *u*;
- b) mean height of the profile, *Rz5*.

The following characteristic values may be used in addition:

- drag, *n*;
- melting of top edge, *r*;
- possibly occurrence of dross or melting drops on the lower edge of the cut.

7.2 Measuring ranges

7.2.1 General

For quality, the ranges for perpendicularity or angularity tolerance, *u*, and mean height of the profile, *Rz5*, shall be indicated in the order *u, Rz5*. Where no value is fixed, a “0” (zero) shall be indicated.

Isolated faults, such as gouges, the unavoidable formation of melting beads on the lower edge of the cut at the start of cuts, or oxide remainders on the cut surface have not been considered when defining the quality values of this document.

At multi flank cuts, e.g. for Y, double V or double HV seams (see ISO 2553), each cut surface shall be evaluated separately.

7.2.2 Perpendicularity or angularity tolerance, *u*

The ranges for the perpendicularity or angularity tolerance, *u*, are shown in [Table 4](#) and in [Figure 12](#).

Table 4 — Perpendicularity or angularity tolerance, *u*

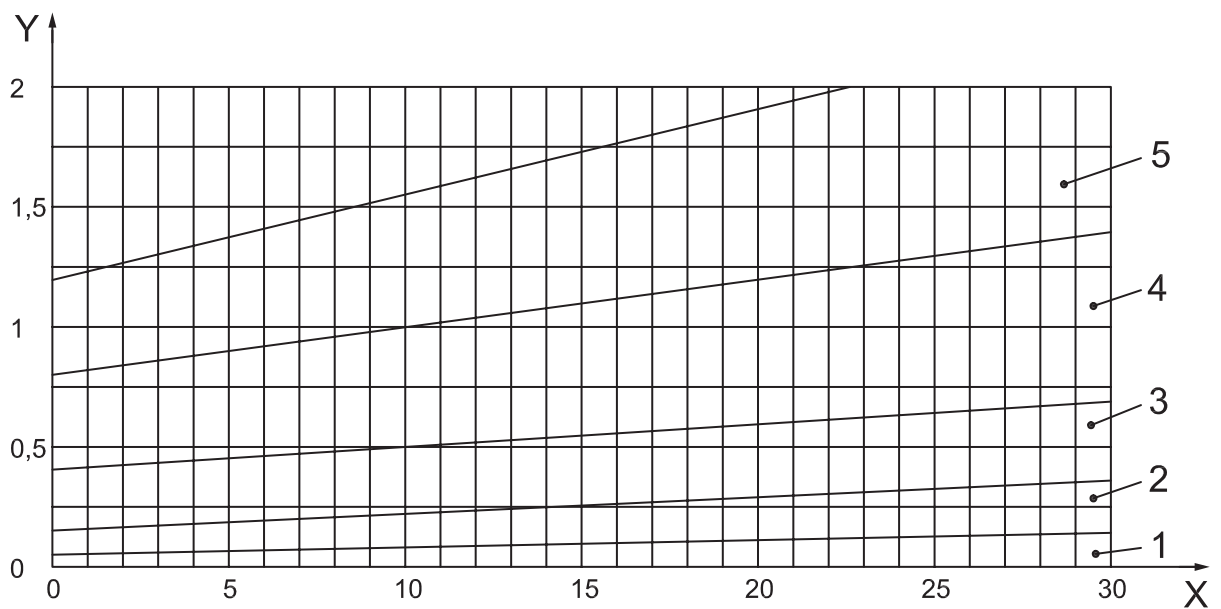
Range	Perpendicularity or angularity tolerance, <i>u</i> mm
1	0,05 + 0,003 <i>a</i>
2	0,15 + 0,007 <i>a</i>
3	0,4 + 0,01 <i>a</i>
4	0,8 + 0,02 <i>a</i>
5	1,2 + 0,035 <i>a</i>

7.2.3 Mean height of the profile, *Rz5*

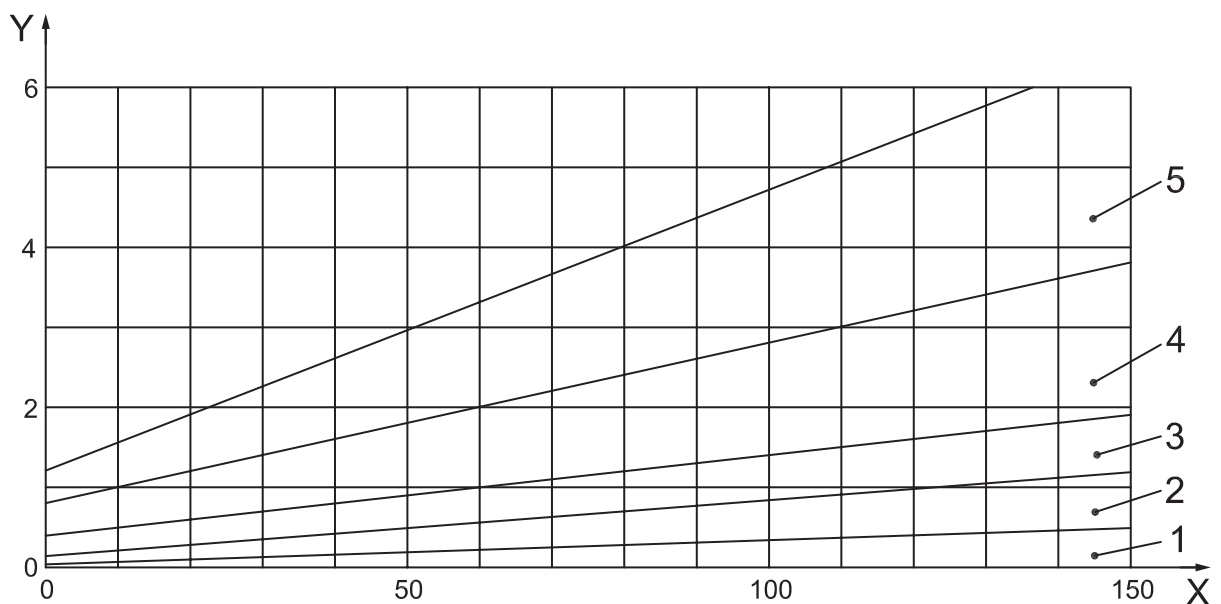
The ranges for the mean height of the profile, *Rz5*, are shown in [Table 5](#) and in [Figure 13](#).

Table 5 — Mean height of the profile, *Rz5*

Range	Mean height of the profile, <i>Rz5</i> μm
1	10 + (0,6 <i>a</i> mm)
2	40 + (0,8 <i>a</i> mm)
3	70 + (1,2 <i>a</i> mm)
4	110 + (1,8 <i>a</i> mm)



a) Perpendicularity or angularity tolerance, *u* (work piece thickness up to 30 mm)

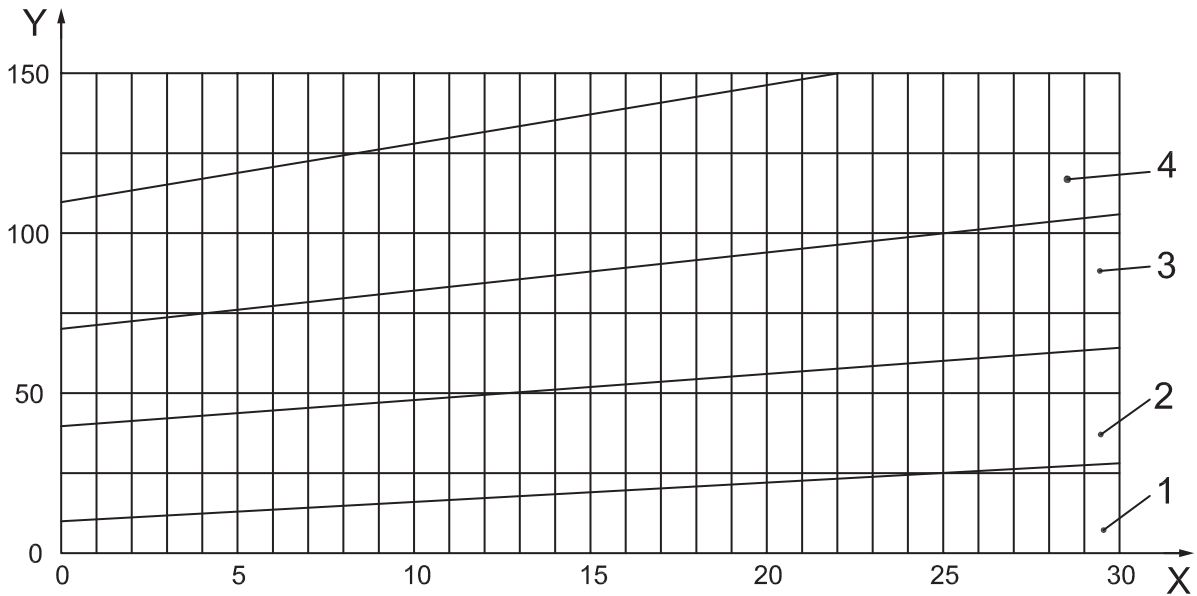


b) Perpendicularity or angularity tolerance, *u* (work piece thickness up to 150 mm)

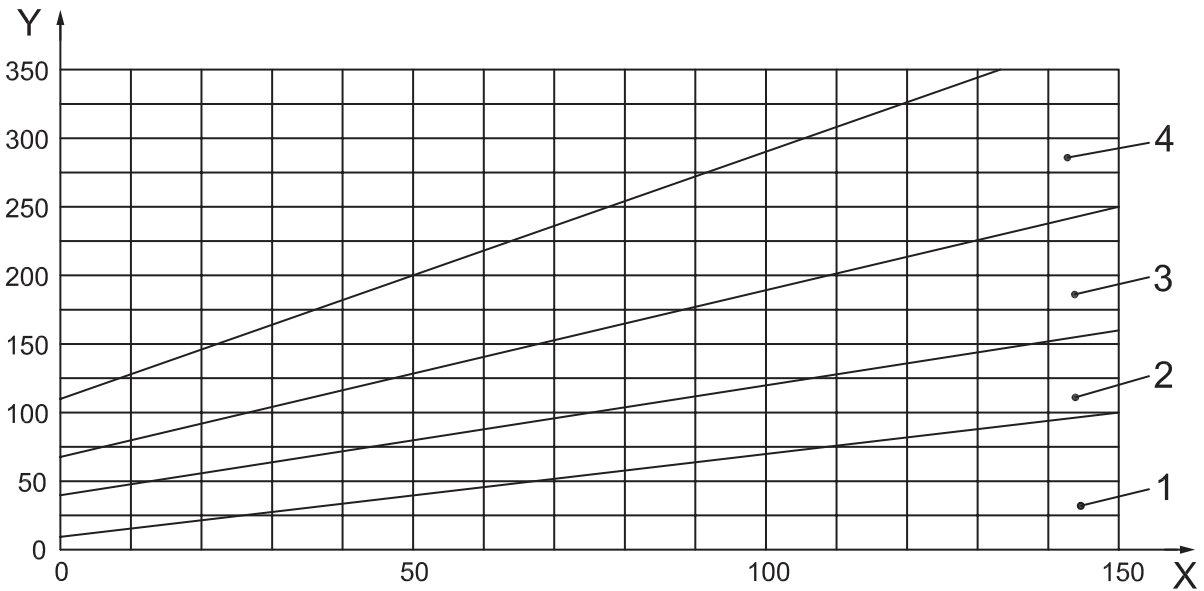
Key

- 1 to 5 range (see [Table 4](#))
- X cut thickness, e , in mm
- Y perpendicularity or angularity tolerance, u , in mm

Figure 12 — Perpendicularity or angularity tolerance, u



a) Mean height of the profile, $Rz5$ (work piece thickness up to 30 mm)



b) Mean height of the profile, $Rz5$ (work piece thickness up to 150 mm)

Key

- 1 to 4 range (see [Table 5](#))
- X cut thickness, e , in mm
- Y mean height of the profile, $Rz5$

Figure 13 — Mean height of the profile, $Rz5$

8 Dimensional tolerances

8.1 General

The dimensions in the drawings shall be taken to be the nominal dimensions, the actual dimensions being determined on the clean surfaces of the cut. The limit deviations specified in [Tables 6](#) and [7](#) shall apply to dimensions without tolerance indications, where reference is made to this document on drawings or in other documents (e.g. delivery conditions).

They are only applicable to flame cuts and plasma cuts on work pieces with a length-to-width ratio (length : width) not exceeding 4:1 and for lengths of cut (circumference) of not less than 350 mm.

For work pieces cut by flame and plasma cutting with a length-to-width ratio greater than 4:1, the limit deviations shall be specified by the manufacturer following the principles set out in this document.

For laser cutting, the maintainable dimensional tolerances depend essentially on the length-to-width ratio, the geometry and the pre-treatment conditions of the work piece.

The given classes do not apply to the start and end of the cut and can only be achieved with serviced machines and trained operators.

Material grade and the sheet temperature in comparison to the machine temperature needs to be suitable to meet the requirements of the allowed material elongation or contraction, e.g. due to the relief of residual stresses and thermal elongation during cutting.

If necessary, the limit deviations may be agreed upon separately.

The limit deviations for the cut surface quality (perpendicularity or angularity tolerance) are treated separately from the limit deviations for the dimensional deviations of the work piece in order to emphasize the different influences on the work piece.

NOTE The limit deviations do not include the deviations from perpendicularity or angularity. As the definitions for the limit deviations are based on the independence principle, it was deemed not to be necessary to explain this fact once again by the additional indication of the tolerance according to ISO 8015 on the drawing. This avoids any misunderstandings with regard to a possible elimination of the independence principle if there is no reference to ISO 8015.

If other form and location tolerances, e.g. straightness tolerance, perpendicularity tolerance in cut length and cut width direction, shall be maintained, they have to be agreed upon separately.

Table 6 — Limit deviations for nominal dimensions tolerance class 1

Dimensions in millimetres

Work piece thickness <i>a</i>	Nominal dimensions									
	>0 to <3	≤3 to <10	≤10 to <35	≥35 to <125	≥125 to <315	≥315 to <1 000	≥1 000 to <2 000	≥2 000 to <4 000	≥4 000 to <6 000	≥6 000 to <8 000
Limit deviations										
>0 to ≤1	±0,075	±0,10	±0,10	±0,20	±0,20	±0,30	±0,40	±0,65	±0,90	±1,60
>1 to ≤3,15	±0,10	±0,15	±0,20	±0,25	±0,25	±0,35	±0,40	±0,65	±1,00	±1,75
>3,15 to ≤6,3	±0,20	±0,20	±0,25	±0,25	±0,30	±0,40	±0,45	±0,70	±1,10	±1,90
>6,3 to ≤10	—	±0,25	±0,30	±0,30	±0,35	±0,45	±0,55	±0,75	±1,25	±2,20
>10 to ≤15	—	±0,30	±0,35	±0,40	±0,45	±0,55	±0,65	±0,85	±1,50	±2,50
>15 to ≤20	—	±0,40	±0,40	±0,45	±0,55	±0,75	±0,85	±1,2	±1,90	±2,80
>20 to ≤25	—	±0,45	±0,50	±0,60	±0,70	±0,90	±1,10	±1,60	±2,40	±3,25
>25 to ≤32	—	—	±0,70	±0,70	±0,80	±1,0	±1,6	±2,25	±3,00	±4,00
>32 to ≤50	—	—	±0,7	±0,70	±0,8	±1,0	±1,6	±2,5	±3,8	±5,0
>50 to ≤100	—	—	±1,3	±1,3	±1,4	±1,7	±2,2	±3,1	±4,4	±5,6
>100 to ≤150	—	—	±1,9	±2,0	±2,1	±2,3	±2,9	±3,8	±5,1	±6,3
>150 to ≤200	—	—	±2,6	±2,7	±2,7	±3,0	±3,6	±4,5	±5,7	±7,0
>200 to ≤250	—	—	—	—	—	±3,7	±4,2	±5,2	±6,4	±7,7
>250 to ≤300	—	—	—	—	—	±4,4	±4,9	±5,9	±7,1	±8,4

Table 7 — Limit deviations for nominal dimensions tolerance class 2

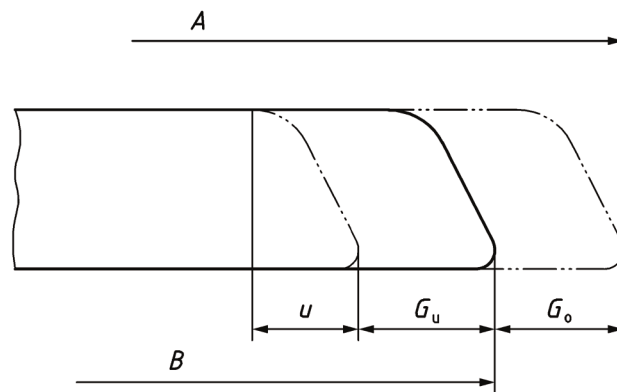
Dimensions in millimetres

Work piece thickness <i>a</i>	Nominal dimensions									
	>0 to <3	≥3 to <10	≥10 to <35	≥35 to <125	≥125 to <315	≥315 to <1 000	≥1 000 to <2 000	≥2 000 to <4 000	≥4 000 to <6 000	≥6 000 to <8 000
Limit deviations										
>0 to ≤1	±0,5	±0,6	±0,6	±0,7	±0,7	±0,8	±0,9	±0,9	—	—
>1 to ≤3,15	±0,6	±0,6	±0,7	±0,7	±0,8	±0,9	±1	±1,1	±1,4	±1,4
>3,15 to ≤6,3	±0,7	±0,8	±0,9	±0,9	±1,1	±1,2	±1,3	±1,3	±1,6	±1,6
>6,3 to ≤10	—	±1	±1,1	±1,3	±1,4	±1,5	±1,6	±1,7	±1,9	±2
>10 to ≤15	—	±1,8	±1,8	±1,8	±1,9	±2,3	±3	±4,2	±4,3	±4,5
>15 to ≤20	—	±1,8	±1,8	±1,8	±1,9	±2,3	±3	±4,2	±4,3	±4,5
>20 to ≤25	—	±1,8	±1,8	±1,8	±1,9	±2,3	±3	±4,2	±4,3	±4,5
>25 to ≤32	—	±1,8	±1,8	±1,8	±1,9	±2,3	±3	±4,2	±4,3	±4,5
>32 to ≤50	—	±1,8	±1,8	±1,8	±1,9	±2,3	±3	±4,2	±4,3	±4,5
>50 to ≤100	—	—	±2,5	±2,5	±2,6	±3	±3,7	±4,9	±5,3	±5,6
>100 to ≤150	—	—	±3,2	±3,3	±3,4	±3,7	±4,4	±5,7	±6,1	±6,4
>150 to ≤200	—	—	±4	±4	±4,1	±4,5	±5,2	±6,4	±6,8	±7,1
>200 to ≤250	—	—	—	—	—	±5,2	±5,9	±7,2	±7,6	±7,9
>250 to ≤300	—	—	—	—	—	±6	±6,7	±7,9	±8,3	±8,6

8.2 Dimensional tolerances on parts without finishing

8.2.1 The work piece shall fit into an assembly. The nominal dimension of the part to be cut results from the assembly dimension (= drawing dimension), reduced by the limit deviation (see [Figure 14](#)). The real dimension of a component produced by a thermal cutting process always corresponds to the greatest dimension at outside dimensions and to the smallest dimension at inside dimensions.

This kind of tolerance is normally required at welding joint preparation, as the work piece has to fit into an assembly.



Key

- A assembly dimension
- B nominal dimension of the cut part
- G_o upper limit deviation
- G_u lower limit deviation
- u perpendicularity or angularity tolerance

Figure 14 — Dimensional tolerances on parts without finishing

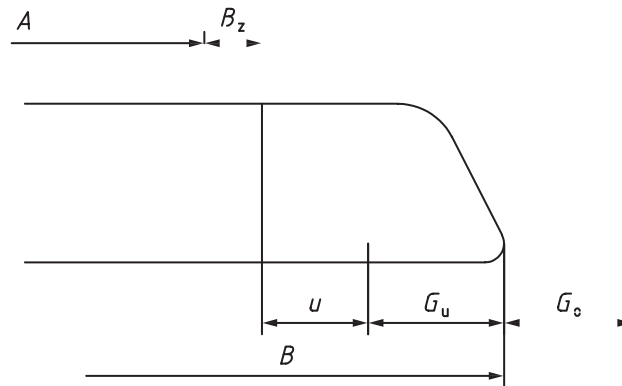
8.2.2 If the work piece doesn't need to fit into an assembly, the nominal dimension of the part to be cut results from the assembly dimension A (see [Figure 15](#)).

8.3 Dimensional tolerances on parts with finishing

8.3.1 General

In order to be able to meet the assembly dimensions, it is necessary, for outside dimensions of work pieces with a machining allowance, B_z , to add the perpendicularity or angularity tolerance as well as the lower limit deviation and, for inside dimensions of work pieces with a machining finishing allowance, B_z , to subtract the perpendicularity or angularity tolerance as well as the upper limit deviation (see [Figure 15](#)).

NOTE 1 The effective material to be removed depends on the machining allowance, the perpendicularity or angularity tolerance and the mean height of the profile for the relevant cutting process.

**Key**

- A assembly dimension
 B nominal dimension of the cut part
 B_z machine allowance
 G_o upper limit deviation
 G_u lower limit deviation
 u perpendicularity

Figure 15 — Dimensional tolerances on parts with finishing (outer dimensions)

NOTE 2 B is the result of a calculation from A , B_z , u and G_u (see text above).

8.3.2 Machining allowance

If the drawing does not bear any indication to this effect, in practice, a machining allowance depending on the sheet thickness will be provided for according to [Table 8](#).

Table 8 — Machining allowance, B_z

Dimensions in millimetres

Work piece thickness, a	Machining allowance for each cut surface, B_z
$\geq 2 \leq 20$	2
$> 20 \leq 50$	3
$> 50 \leq 80$	5
> 80	7

9 Designation

A thermal cut in compliance with the requirements of this document is designated by listing the following elements in this order:

- the "Thermal cut";
- a reference of this document, i.e. ISO 9013:2017;
- the range number chosen for the perpendicularity or angularity tolerance (1 to 5);
- the range number chosen for the mean height of the profile (1 to 4);
- the class number chosen for the limit deviation for nominal dimensions (1 to 2).

EXAMPLE A thermal cut conforming to this document, of range 3 for the perpendicularity or angularity tolerance, range 1 for mean height of the profile and class 2 for limit deviations for nominal dimensions, is designated as follows:

Thermal cut ISO 9013-312:2017

10 Information in technical documentation

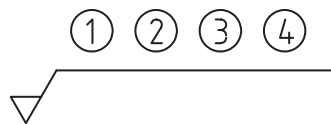
10.1 Indications of size

The dimensional indications in the drawings are referred to the cut work piece. In the technical documentation, standards, etc., dimensional symbols according to this document shall be used.

10.2 Indication of quality of cut surface and of tolerance class

10.2.1 On technical drawings

The quality and tolerance classes required in connection with thermal cutting shall be indicated using the following symbol, in accordance with ISO 1302 (see [Figure 16](#)):

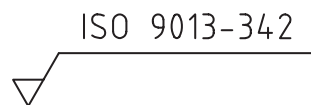


Key

- 1 indication of the main number of this document
- 2 indication of the perpendicularity or angularity tolerance, u , according to [7.2.2](#)
- 3 indication of the mean height of the profile, $Rz5$, according to [7.2.3](#)
- 4 indication of the tolerance class according to [Clause 8](#)

Figure 16

EXAMPLE A quality with the symbol 34 (range 3 for u , range 4 for $Rz5$) and the limit deviations for nominal dimensions tolerance class 2 (see [Table 7](#)) are required.



10.2.2 Title block of technical documentation

The required cut quality and the required tolerance class shall be indicated as follows, referring to the main number of this document.

EXAMPLE A quality with the symbol 34 (range 3 for u , range 4 for $Rz5$) and the limit deviations for nominal dimensions tolerance class 2 (see [Table 7](#)) are required:

ISO 9013-342

Annex A (informative)

Achievable cut qualities for different cutting processes

This document considers the principle used to describe the quality of thermal cuts independently from the process, e.g. oxyfuel flame cutting, plasma cutting, laser cutting.

Not any quality tolerance and any geometrical product specification can be obtained by any process and any material.

With regard to all thermal cutting processes, the typical achievable qualities apply to material grades approved and recommended for the cutting process used.

[Table A.1](#) indicates typically achievable classes for the cutting processes laser, oxyfuel flame and plasma cutting for typical 2D-cutting applications. Combined technologies, such as laser and plasma cutting or laser cutting and punching, have to be considered separately due to further application-specific tolerances. The given classes do not apply to the start and end of the cut can only be achieved with serviced machines and trained operators.

The material grade needs to be suitable to meet the requirements of the allowed material elongation or contraction e.g. due to the relief of residual stresses and thermal elongation during cutting. These material-specific effects on tolerances in addition to the machine and process accuracy must always be taken into account when considering the achievable tolerance class.

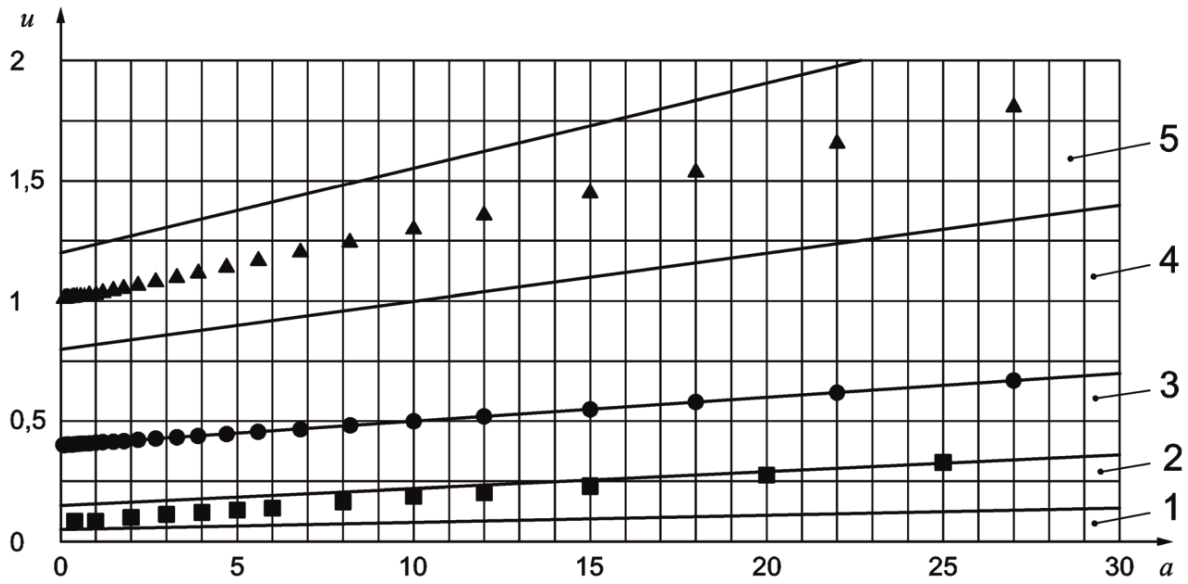
Table A.1 — Typically achievable limit deviation classes for cutting processes

Process	Class
laser cutting (up to 32 mm)	1
oxyfuel flame cutting	2
plasma cutting	2

On cut surfaces of work pieces of aluminium, titanium, magnesium, copper and their alloys, as a function of the alloy's granular structure, rippled surfaces result on which it is not possible to determine the mean height of the profile and to evaluate it in accordance with this document. Values approximately four times as high, with respect to this document, may be expected for aluminium and aluminium alloys.

With regard to all thermal cutting processes the achievable mean height of the *Rz5* profile and perpendicularity or angularity tolerance, *u*, does not apply to the beginning of the cut, the end of the cut, small radii and sharp angles.

[Figures A.1](#) to [A.4](#) show average qualities achievable in mild steel using the different oxygen assisted cutting processes mentioned. However, depending on service conditions, used technology and materials grade, qualities significantly different can be obtained.



Key

1 to 5 range (see [Table 5](#))

a cut thickness, e , in mm

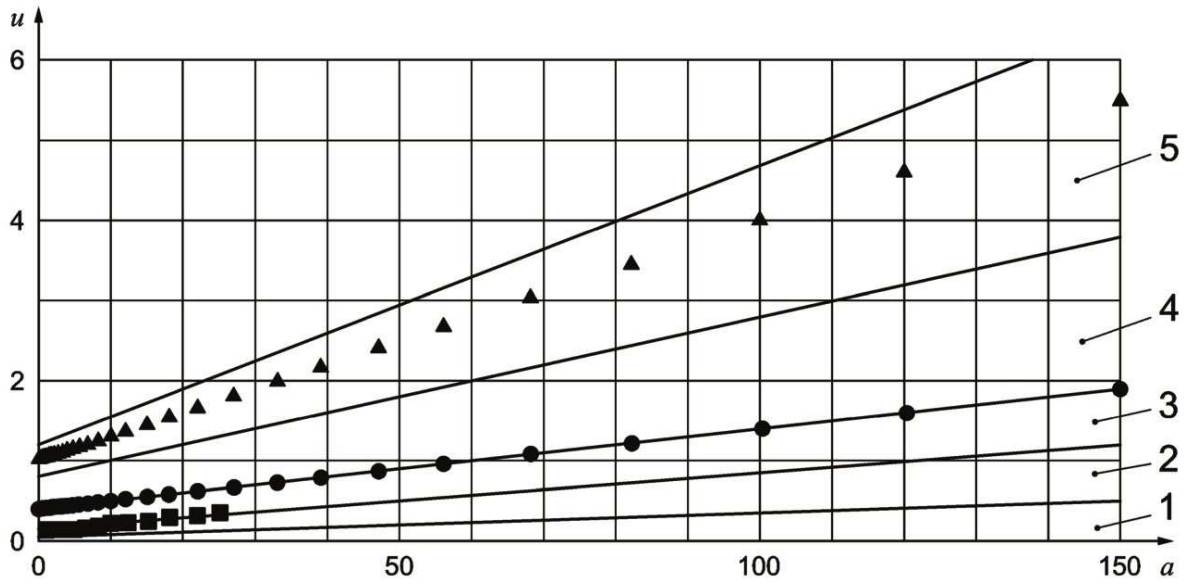
u perpendicularity or angularity tolerance, in mm

● oxyfuel flame cutting

▲ plasma cutting

■ laser cutting

Figure A.1 — Typical cut qualities achievable with perpendicularity or angularity tolerance, u (work piece thickness up to 30 mm)



Key

1 to 5 range (see [Table 5](#))

a cut thickness, e , in mm

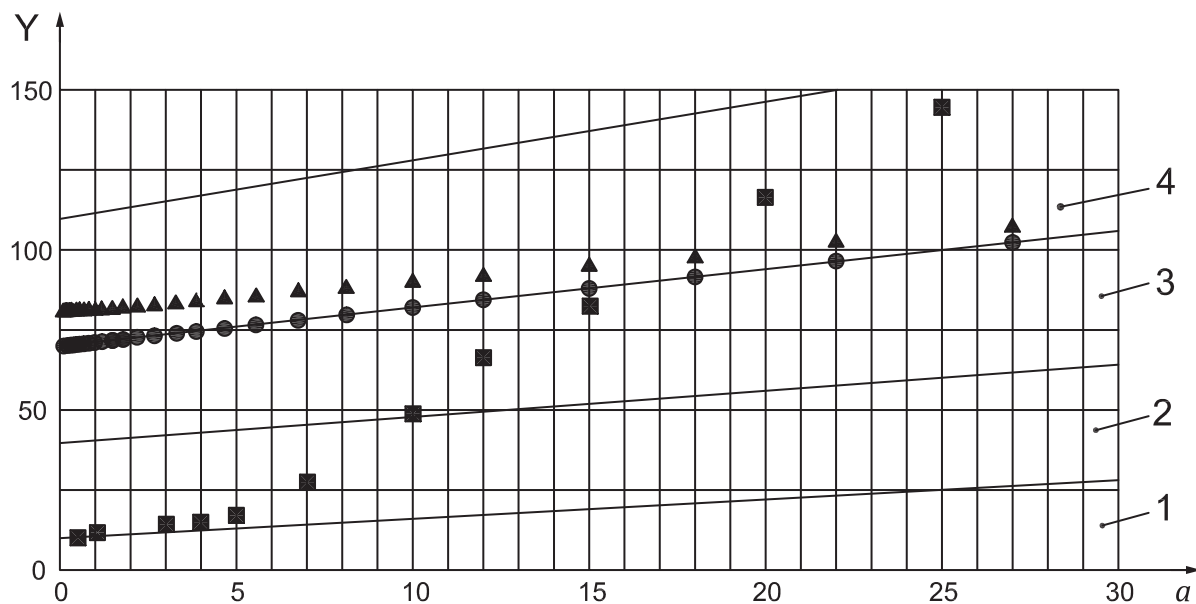
u perpendicularity or angularity tolerance, in mm

● oxyfuel flame cutting

▲ plasma cutting

■ laser cutting

Figure A.2 — Typical cut qualities achievable with perpendicularity or angularity tolerance, u (work piece thickness up to 150 mm)



Key

1 to 4 range (see [Table 5](#))

a cut thickness, *e*, in mm

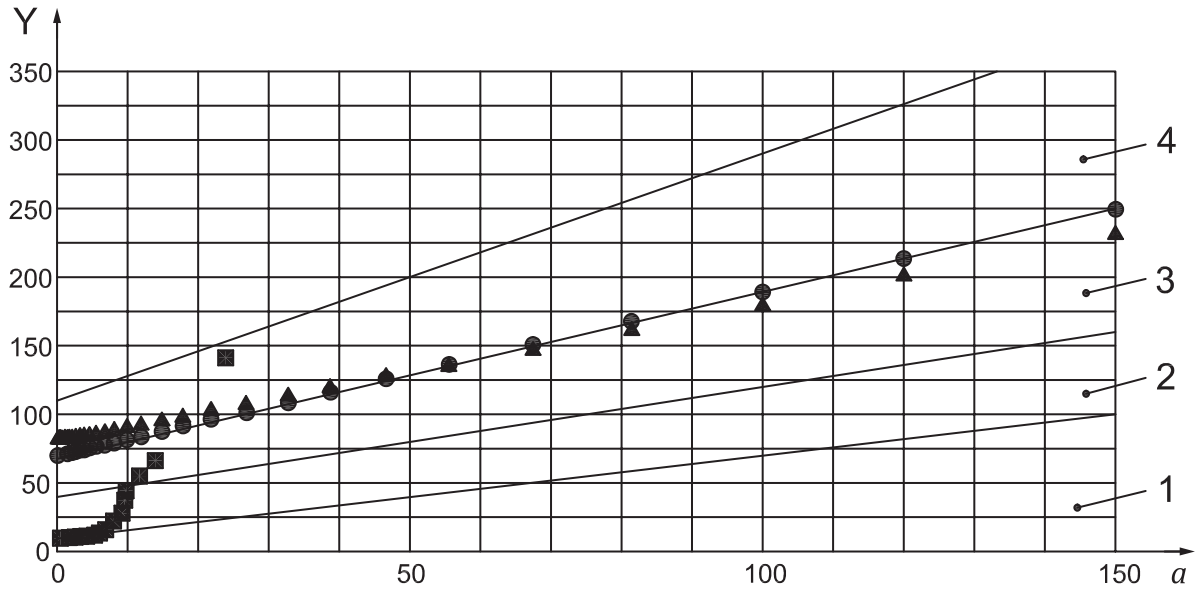
Y mean height of the profile, *Rz5*

● oxyfuel flame cutting

▲ plasma cutting

■ laser cutting

Figure A.3 — Typical cut qualities achievable with mean height of the profile, *Rz5* (work piece thickness up to 30 mm)



Key

1 to 4 range (see [Table 5](#))

a cut thickness, e , in mm

Y mean height of the profile, $Rz5$

● oxyfuel flame cutting

▲ plasma cutting

■ laser cutting

Figure A.4 — Typical cut qualities achievable with mean height of the profile, $Rz5$ (work piece thickness up to 150 mm)

Annex B **(informative)**

Thermal cutting — Process principles

B.1 General

This annex explains the principles of the processes.

Thermal cutting processes may be classified according to the physics of the cutting process and according to the energy source acting externally on the work piece. All processes applied in practice are mixed forms of these. They are classified according to the predominant process of burning, melting or sublimation. The reaction process continues always into the depth and, on movement, in the advance direction.

B.2 Classification according to the physics of the cutting process

B.2.1 Oxygen cutting

Oxygen cutting is a thermal cutting process in which the kerf is produced by substantial oxidation of the material, the resulting products being blown out from the kerf by a high-speed oxygen jet.

B.2.2 Fusion cutting

Fusion cutting is a thermal cutting process in which the kerf is produced by substantial melting of the material in that area, the resulting products being blown out from the kerf by a high-speed gas jet.

B.2.3 Sublimation cutting

Sublimation cutting is a thermal cutting process in which the kerf is produced by substantial evaporation of the material in that area, the resulting products being blown out from the kerf by expansion or by a high-speed gas jet.

B.3 Processes

B.3.1 Oxyfuel flame cutting

Oxygen cutting is the thermal cutting done with a fuel gas/oxygen flame and cutting oxygen. The heat released by the heating flame and the heat produced during the combustion permit continuous combustion by the cutting oxygen. The oxides produced, mixed with some molten metal, are driven out by the kinetic energy of the cutting oxygen jet. By this action, the kerf is produced.

Oxygen cutting is feasible if the following conditions are satisfied:

- the ignition temperature of the material to be cut is lower than its fusion temperature;
- the fusion temperature of the combustion products produced and of the metallic oxides, is lower than the fusion temperature of the material to be cut;
- the process produces such a quantity of heat that the material areas in the cutting direction are heated at least up to ignition temperature;

- the heat supply through the heating flame and the combustion of the material in the kerf exceed the heat dissipation through the heat discharge into the material and to the environment;
- the cutting slag is in such a liquid state that it can be driven out from the kerf by the cutting oxygen jet.

B.3.2 Plasma cutting

Plasma cutting is a thermal cutting process in which a constricted arc is used. Polyatomic gases dissociate in the arc and partially ionize; monoatomic gases partially ionize. The plasma beam thus generated has a high temperature and kinetic energy. It melts or partially vaporizes the material and blows it away. Thereby, the kerf is produced.

The sheet thickness which can be cut is limited since for plasma cutting, the whole heat required to liquefy the material has to be made available by the plasma cutting. With plasma cutting, a difference is made between transferred and non-transferred arc. For the plasma cutting process, the material to be cut shall be electrically conducting since it forms part of the electrical circuit. This process is suitable for low and high cutting performance, i.e. cutting of thin and thick metal sheets. The plasma gas which is used as function of the material to be cut and of the cutting thickness, is of decisive importance for the energy transfer. On plasma cutting with non-transferred arc, the material is not placed within the electrical circuit. Therefore, electrically non-conducting materials may also be cut by this process. Plasma cutting with non-transferred arc only is suitable for low-cutting performance values as the cutting nozzle serves as anode.

B.3.3 Laser cutting

Laser cutting is a thermal cutting process in which the focused laser beam supplies the energy required for the cutting, this energy then being converted into heat. The cutting process is supported by a gas jet. With laser beam cutting a difference is made between laser oxyfuel flame cutting, laser fusion cutting and laser sublimation cutting.

Dependent on the type of laser source applied in laser cutting (typically CO₂-lasers or solid state-lasers), the achievable cutting quality level can differ.

Specialized laser cutting processes can lead to significantly lower values for *Rz5*.

B.4 Materials

B.4.1 Oxyfuel flame cutting

The prerequisites indicated in [B.3.1](#) are satisfied in the case of iron, unalloyed steel and certain alloyed steels as well as titanium and some titanium alloys. The cutting process is made more difficult by alloying and accompanying elements, (except for manganese) the difficulties increasing with rising content, e.g. of carbon, chromium, molybdenum and silicon. Therefore, among others, high-alloyed chromium-nickel or silicon steels and cast iron cannot be flame cut without applying special measures. These materials may be processed by different thermal cutting processes, e.g. by metal powder cutting or plasma cutting.

B.4.2 Plasma cutting

Nearly all fusible, electrically conducting metals, such as unalloyed and low-alloy steels, alloyed steels, nickel-based materials, copper alloys, titanium alloys, aluminium alloys and others are suitable for cutting.

B.4.3 Laser cutting

The material is suitable for laser cutting if its properties are affected in the cut areas, only to such an extent that the component maintains at least the properties required for the intended use. Suitable for cutting are unalloyed and alloyed steels, nickel-based materials, titanium alloys, aluminium alloys and others.

Bibliography

- [1] ISO 1101, *Geometrical product specifications (GPS) — Geometrical tolerancing — Tolerances of form, orientation, location and run-out*
- [2] ISO 2553, *Welding and allied processes — Symbolic representation on drawings — Welded joints*
- [3] ISO 4287:1997, *Geometrical Product Specifications (GPS) — Surface texture: Profile method — Terms, definitions and surface texture parameters*
- [4] ISO 17658, *Welding — Imperfections in oxyfuel flame cuts, laser beam cuts and plasma cuts — Terminology*

