

# INTERNATIONAL STANDARD

**ISO  
8872**

Second edition  
2003-03-15

---

---

## **Aluminium caps for transfusion, infusion and injection bottles — General requirements and test methods**

*Capsules en aluminium pour flacons de transfusion, perfusion et  
injection — Spécifications générales et méthodes d'essai*



Reference number  
ISO 8872:2003(E)

© ISO 2003

**PDF disclaimer**

This PDF file may contain embedded typefaces. In accordance with Adobe's licensing policy, this file may be printed or viewed but shall not be edited unless the typefaces which are embedded are licensed to and installed on the computer performing the editing. In downloading this file, parties accept therein the responsibility of not infringing Adobe's licensing policy. The ISO Central Secretariat accepts no liability in this area.

Adobe is a trademark of Adobe Systems Incorporated.

Details of the software products used to create this PDF file can be found in the General Info relative to the file; the PDF-creation parameters were optimized for printing. Every care has been taken to ensure that the file is suitable for use by ISO member bodies. In the unlikely event that a problem relating to it is found, please inform the Central Secretariat at the address given below.

© ISO 2003

All rights reserved. Unless otherwise specified, no part of this publication may be reproduced or utilized in any form or by any means, electronic or mechanical, including photocopying and microfilm, without permission in writing from either ISO at the address below or ISO's member body in the country of the requester.

ISO copyright office  
Case postale 56 • CH-1211 Geneva 20  
Tel. + 41 22 749 01 11  
Fax + 41 22 749 09 47  
E-mail [copyright@iso.org](mailto:copyright@iso.org)  
Web [www.iso.org](http://www.iso.org)

Published in Switzerland

## Foreword

ISO (the International Organization for Standardization) is a worldwide federation of national standards bodies (ISO member bodies). The work of preparing International Standards is normally carried out through ISO technical committees. Each member body interested in a subject for which a technical committee has been established has the right to be represented on that committee. International organizations, governmental and non-governmental, in liaison with ISO, also take part in the work. ISO collaborates closely with the International Electrotechnical Commission (IEC) on all matters of electrotechnical standardization.

International Standards are drafted in accordance with the rules given in the ISO/IEC Directives, Part 2.

The main task of technical committees is to prepare International Standards. Draft International Standards adopted by the technical committees are circulated to the member bodies for voting. Publication as an International Standard requires approval by at least 75 % of the member bodies casting a vote.

Attention is drawn to the possibility that some of the elements of this document may be the subject of patent rights. ISO shall not be held responsible for identifying any or all such patent rights.

ISO 8872 was prepared by Technical Committee ISO/TC 76, *Transfusion, infusion and injection equipment for medical and pharmaceutical use*.

This second edition cancels and replaces the first edition (ISO 8872:1988), which has been technically revised.

## Introduction

This International Standard specifies requirements for aluminium caps for vials and bottles in the field of transfusion, infusion and injection. The primary materials from which containers, including their elastomeric closures, are made have to be suitable for the storage of such products until the products are administered. However, in this International Standard, aluminium caps are not considered as primary packaging materials that will come into direct contact with pharmaceutical preparations or blood.

# Aluminium caps for transfusion, infusion and injection bottles — General requirements and test methods

## 1 Scope

This International Standard specifies general requirements and test methods for aluminium caps for injection vials, and for infusion and transfusion bottles.

## 2 Normative references

The following referenced documents are indispensable for the application of this document. For dated references, only the edition cited applies. For undated references, the latest edition of the referenced document (including any amendments) applies.

ISO 6892:1998, *Metallic materials — Tensile testing at ambient temperature*

ISO 7500-1, *Metallic materials — Verification of static uniaxial testing machines — Part 1: Tension/compression testing machines — Verification and calibration of the force-measuring system*

ISO 8362-3:2001, *Injection containers and accessories — Part 3: Aluminium caps for injection vials*

ISO 8536-3:1999, *Infusion equipment for medical use — Part 3: Aluminium caps for infusion bottles*

## 3 Requirements

### 3.1 Wrought products

#### 3.1.1 Mechanical characteristics

The mechanical characteristics shall comply with the requirements specified for the three grades A, B or C (see Table 1) and shall be tested in accordance with the test procedures described in 4.2.

Table 1 — Grades of mechanical characteristics

Grade	Alloy <sup>a</sup>	Tensile strength $R_m$ N/mm <sup>2</sup>		Proof stress of non-proportional elongation $R_p$ N/mm <sup>2</sup>
		min.	max.	min.
A	AlFeSi annealed or coated	100	150	80
B	AlFeSi	130	170	110
C	AlMnCu	140	180	120

<sup>a</sup> These alloys present a selection of widely used aluminium alloys for manufacture of caps. Other alloys are permitted, provided that they otherwise meet the requirements in this table.

**3.1.2 Chemical composition**

The wrought (sheet and strip) used for the manufacture of caps shall be produced from aluminium alloy.

The chemical composition shall be verified in accordance with 4.3.

**3.2 Caps**

**3.2.1 Dimensions**

Aluminium caps shall comply with the dimensions and with the accepted tolerances as specified in the relevant International Standards.

The thickness shall be measured in accordance with 4.4.

**3.2.2 Contamination**

Aluminium caps shall be free from contamination; the presence of residual lubricants shall be reduced to an absolute minimum and burrs shall be avoided.

**3.2.3 Earing**

Aluminium caps should be free from earing defects at the cutting processing edge. If earing occurs, the earing defect, as measured in accordance with 4.5, shall not be greater than 3 %.

**3.2.4 Crimping**

Aluminium caps shall fit properly when subjected to the crimping process as described in 4.6.

**3.2.5 Resistance of caps**

**3.2.5.1** Seals that will be terminally steam-sterilized shall be crimped on a vial/closure combination in accordance with 4.6 and tested in accordance with 5.1. The seals shall show no signs of premature opening or deformation.

**3.2.5.2** When measured in accordance with the test method described in 4.7 and 4.8, the forces needed to remove the tabs or to tear them off completely shall comply with the limits specified in the relevant International Standards.

During removal, the complete tear-off tab shall be torn off only as determined by the score path.

When the test in accordance with 4.7 and 4.8 is carried out, no parts of aluminium caps shall break except the bridges and score paths.

**3.2.5.3** Seals shall be crimped on a vial/closure combination in accordance with 4.6. When subjected to conditions as described in 5.2, the seals shall not show any visible alteration at the surface.

NOTE Plain aluminium alloys have a tendency to produce spots during treatment in a steam sterilizer.

### 3.2.6 Coating

When tested in accordance with 5.2, the lacquer on the caps which have been subjected to the tests described in 5.1 shall not show any sign of deterioration of the coating.

## 4 Test methods

### 4.1 General

The tests shall be carried out on non-sterilized caps (except as specified in 3.2.5.1 and 3.2.5.3).

### 4.2 Mechanical characteristics

The mechanical characteristics (tensile strength and proof stress of non-proportional elongation) shall be determined in accordance with ISO 6892.

### 4.3 Chemical composition

The analysis of chemical composition shall be carried out using an accepted method. The cap manufacturer may rely upon a certificate of conformity given by the supplier of the wrought product.

### 4.4 Dimensions

The dimensions shall be measured using an appropriate gauge or a micrometer.

The thickness shall be measured at the top area where no deformation has occurred.

For measurement of the inner diameter, the use of a pin gauge set or optical comparator is recommended.

### 4.5 Earing

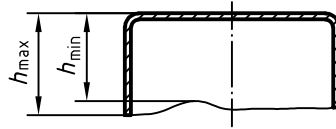
The earing (see Figure 1) on the cutting/processing edges of the caps shall be calculated, as a percentage, by comparing the maximum and minimum total heights, measured on the external side, using the following equation:

$$\frac{h_{\max} - h_{\min}}{h_{\min}} \times 100$$

where

$h_{\max}$  is the maximum height of the external side of the cap where earing occurs;

$h_{\min}$  is the minimum height of the external side of the cap where earing occurs.



NOTE Cross-section has been stylized to illustrate both the minimum and maximum heights, measured on the external side, where earing occurs.

Figure 1 — Illustration of earing on aluminium cap

## 4.6 Crimping

Fill the glass containers with water to their nominal volume. Place the aluminium caps on a rubber closure fitted on bottles or vials. Crimp the cap by means of a crimping tool or a capping machine.

## 4.7 Test for resistance of bridges for centre-tear tabs

### 4.7.1 Apparatus

4.7.1.1 **Socket and punch**, as shown in Figure 2.

4.7.1.2 **Motorized loading device**, capable of exerting a compressive force at a speed of 100 mm/min.

4.7.1.3 **Compression dynamometer**, class 1 in accordance with ISO 7500-1, load cell, or other device capable of measuring and recording the maximum compression load generated during the test.

### 4.7.2 Procedure

Place the cap in the socket (4.7.1.1).

Fit the motorized device (4.7.1.2) to the dynamometer (4.7.1.3), which in turn is fitted to the punch pushing the tab.

Place all the elements so that they are submitted to an axial force exerted by the motorized device.

### 4.7.3 Expression of results

Record the maximum value of the axial force necessary to break the first bridge.

## 4.8 Test for resistance of bridges and ability to remove tear-off tab completely

### 4.8.1 Apparatus

4.8.1.1 **Motorized loading device**, capable of exerting a tensile force at a speed of 100 mm/min.

4.8.1.2 **Traction dynamometer**, load cell, or other device capable of measuring and recording the maximum tensile load generated during the test.

### 4.8.2 Procedure

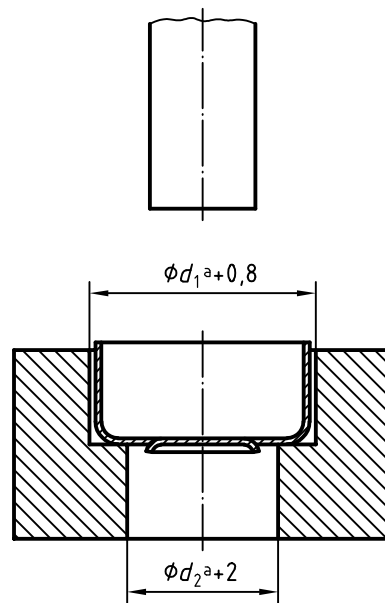
The cap is placed in a device in accordance with Figure 3 and the tear-off tab is hung in a traction dynamometer in accordance with 4.8.1.2.

### 4.8.3 Expression of results

The maximum force necessary for a tab to be completely torn off (tearing of incisions) shall be determined and recorded.



Dimensions in millimetres

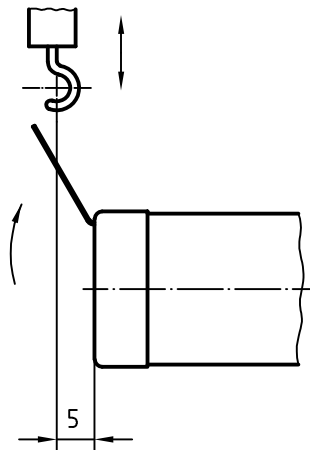


NOTE Dimensions and design of the punch should be adapted to the design of the centre-tear tab.

<sup>a</sup> Dimensions  $d_1$  and  $d_2$  shall be in accordance with ISO 8362-3 and ISO 8536-3.

**Figure 2 — Socket and punch for testing resistance of bridges**

Dimensions in millimetres



**Figure 3 — Test set-up for determining force required to tear tab off completely**

## 5 Sterilization and coating

**5.1** The aluminium caps subjected to sterilization shall be submitted to an autoclave sterilization for 30 min at 121 °C.

**5.2** Lacquered caps shall be rubbed for 30 s with a soft cotton pad saturated with a mixture of 80 % ethanol and 20 % water. Then the same caps shall be rubbed for 30 s with a soft cotton pad saturated with 70 % isopropanol and 30 % water.

## 6 Packaging

The packaging shall protect the aluminium caps during transport and storage in such a way that their functional characteristics are not adversely affected and are protected from any contamination. Plastics bags shall be used as the inside container, whereas foldable cardboard boxes resistant to standard transport conditions should be used as outer packaging material.

## 7 Marking

The following information shall be legibly marked on the package:

- a) name of the manufacturer;
- b) product description and/or part number;
- c) batch number and date of manufacture;
- d) quantity of caps.

NOTE Further information may also be included.



---

---

**ICS 11.040.20**

Price based on 6 pages